



US00D916989S

(12) **United States Design Patent** (10) **Patent No.:** **US D916,989 S**
Parasco (45) **Date of Patent:** **** *Apr. 20, 2021**

(54) **CYLINDRICAL OXYGEN THERAPY EXERCISE BAG**

(71) Applicant: **United States Wellness Institute, LLC**,
Austin, TX (US)

(72) Inventor: **Anthony Lee Parasco**, Palmyra, PA
(US)

(73) Assignee: **MaxxO2, LLC**, Austin, TX (US)

(*) Notice: This patent is subject to a terminal disclaimer.

(**) Term: **15 Years**

(21) Appl. No.: **29/691,705**

(22) Filed: **May 17, 2019**

(51) **LOC (13) Cl.** **21-02**

(52) **U.S. Cl.**
USPC **D21/662; D24/107; D34/12**

(58) **Field of Classification Search**
USPC D21/662, 787, 798; D23/205, 318-322,
D23/334; D24/107, 108, 110; D34/12,
D34/17, 24-26

See application file for complete search history.

(56) **References Cited**

U.S. PATENT DOCUMENTS

D154,966 S *	8/1949	Walsh	D23/205
D168,829 S *	2/1953	Darab	D15/124
D185,751 S *	7/1959	Hammer	D34/25
D227,880 S *	7/1973	Steinboff	D34/24
5,040,808 A *	8/1991	McIntyre	B62B 1/18 280/47.19
D377,201 S *	1/1997	Howard	D21/787
D384,378 S *	9/1997	Sigler	D21/787
D409,670 S *	5/1999	Kuo	D21/662
D483,828 S *	12/2003	Perez	D21/787

D485,893 S *	1/2004	Du	D23/318
D505,291 S *	5/2005	Dalset	D6/601
D509,548 S *	9/2005	Heitzman	D21/662
RE39,372 E *	11/2006	Kuo	D21/787
D603,492 S *	11/2009	Lopez	D23/318
D706,886 S *	6/2014	Hafeken, Sr.	A63B 69/20 D21/787
D709,976 S *	7/2014	Clauder	D21/787
D761,548 S *	7/2016	Elliott	D3/7
D785,103 S *	4/2017	Townsend	D21/662
D827,749 S *	9/2018	Camacho	D21/787

OTHER PUBLICATIONS

“Hypermax Oxygen” 2020, site visited Sep. 12, 2020: <https://www.hypermaxoxygen.com/> (Year: 2020).*

* cited by examiner

Primary Examiner — Michael C Stout

Assistant Examiner — Melvin L Davis

(74) *Attorney, Agent, or Firm* — Clark Hill Strasburger

(57) **CLAIM**

I claim the ornamental design of a cylindrical oxygen therapy exercise bag, as shown and described.

DESCRIPTION

FIG. 1 is a perspective view of a cylindrical oxygen therapy exercise bag;

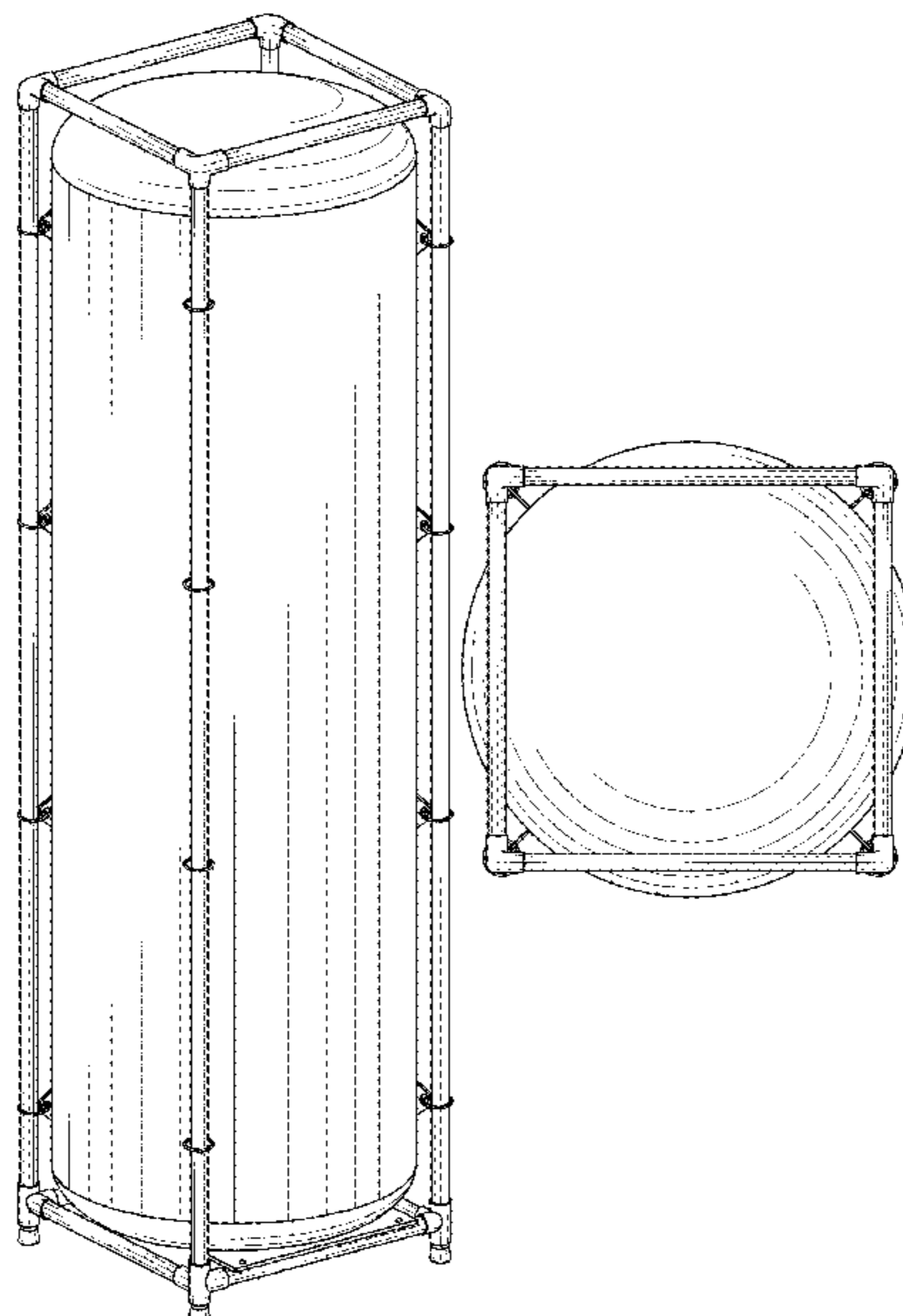
FIG. 2 is a front view of the cylindrical oxygen therapy exercise bag;

FIG. 3 is a top view of the cylindrical oxygen therapy exercise bag; and,

FIG. 4 is a bottom view of the cylindrical oxygen therapy exercise bag.

The broken line showing of the cylindrical oxygen therapy exercise bag is for the purpose of illustrating portions of the article and forms no part of the claimed design.

1 Claim, 3 Drawing Sheets



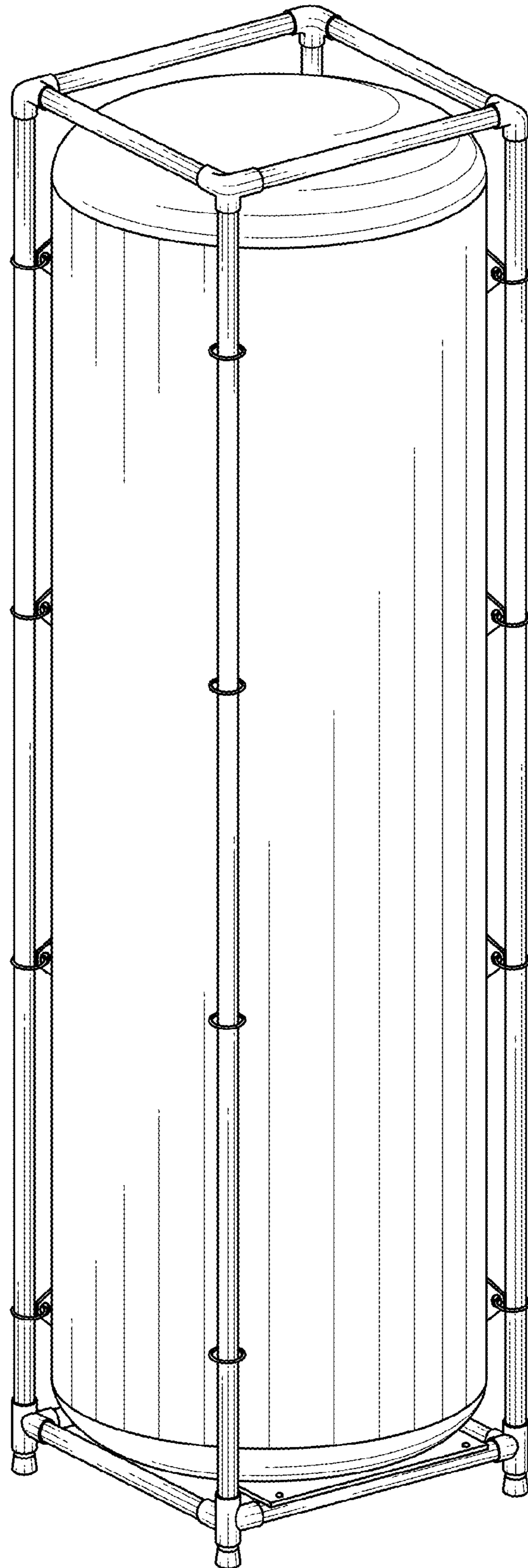


FIG. 1

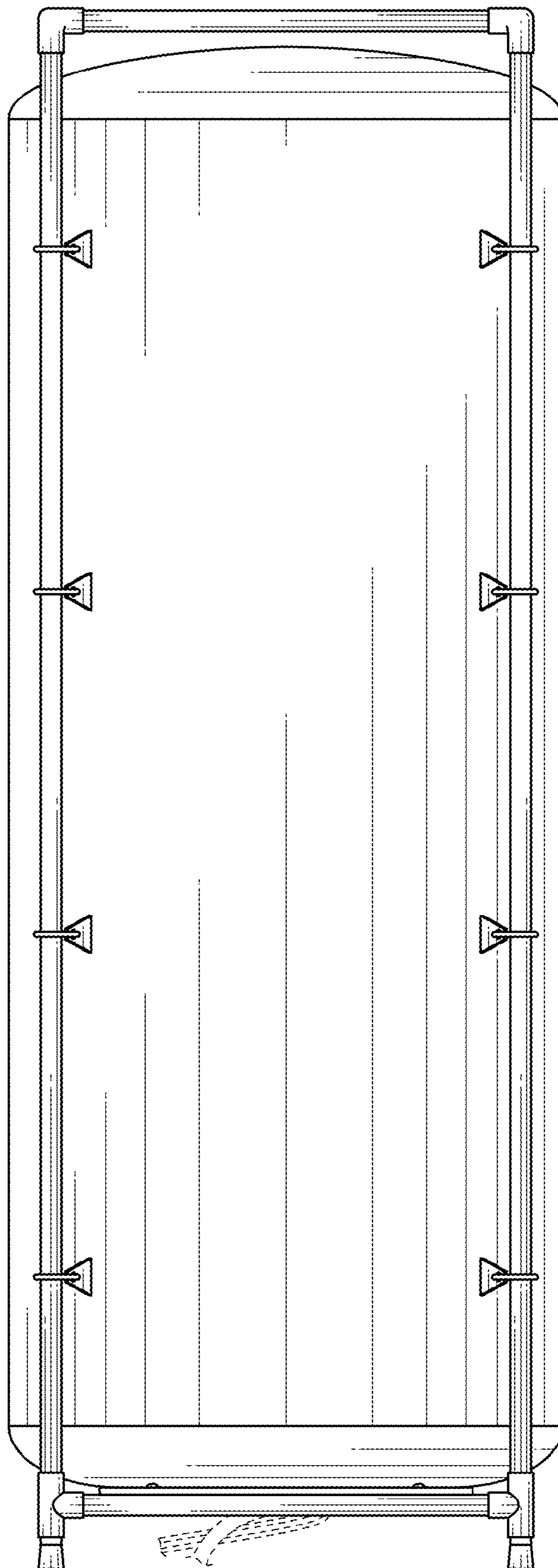


FIG. 2

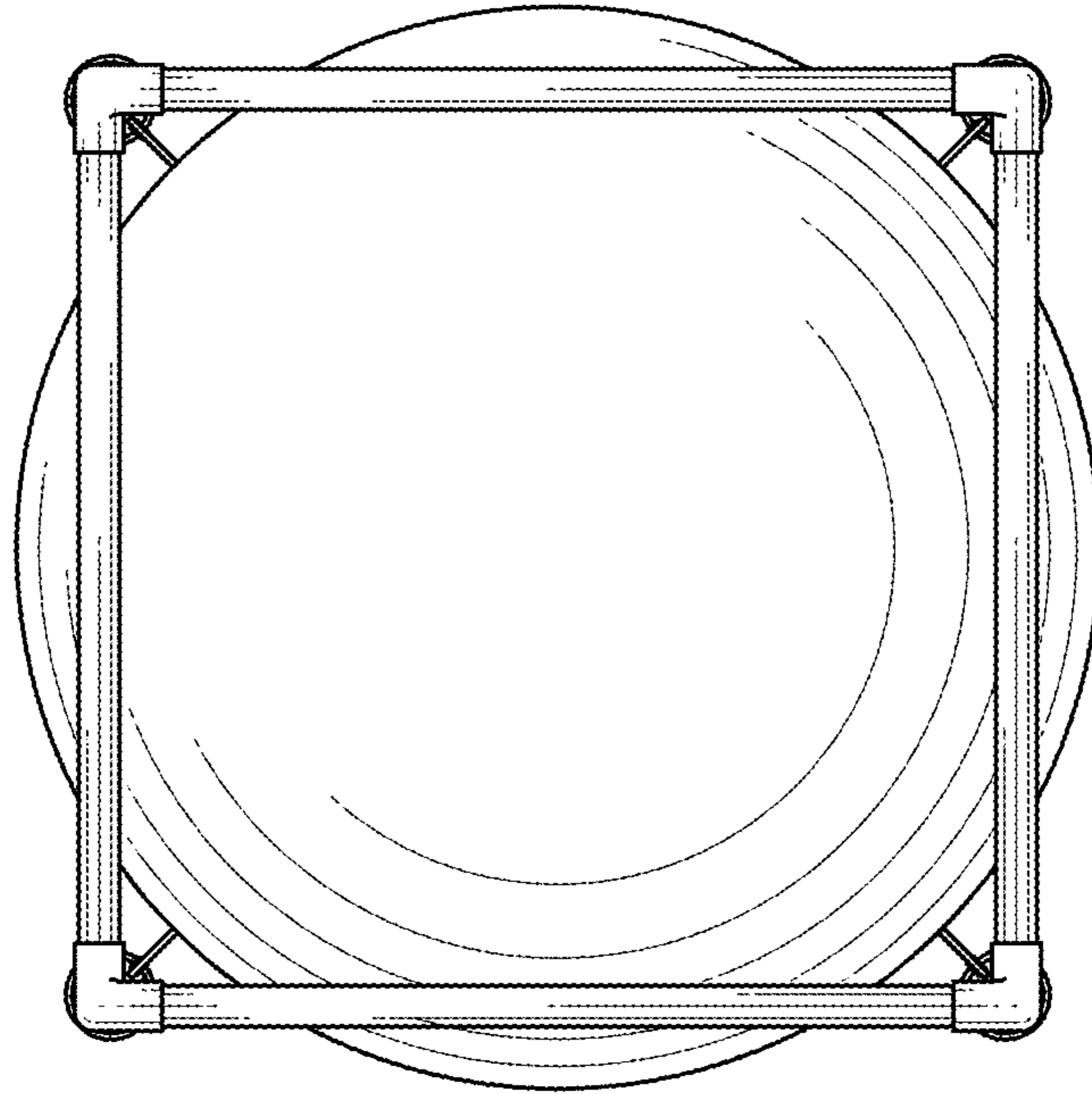


FIG. 3

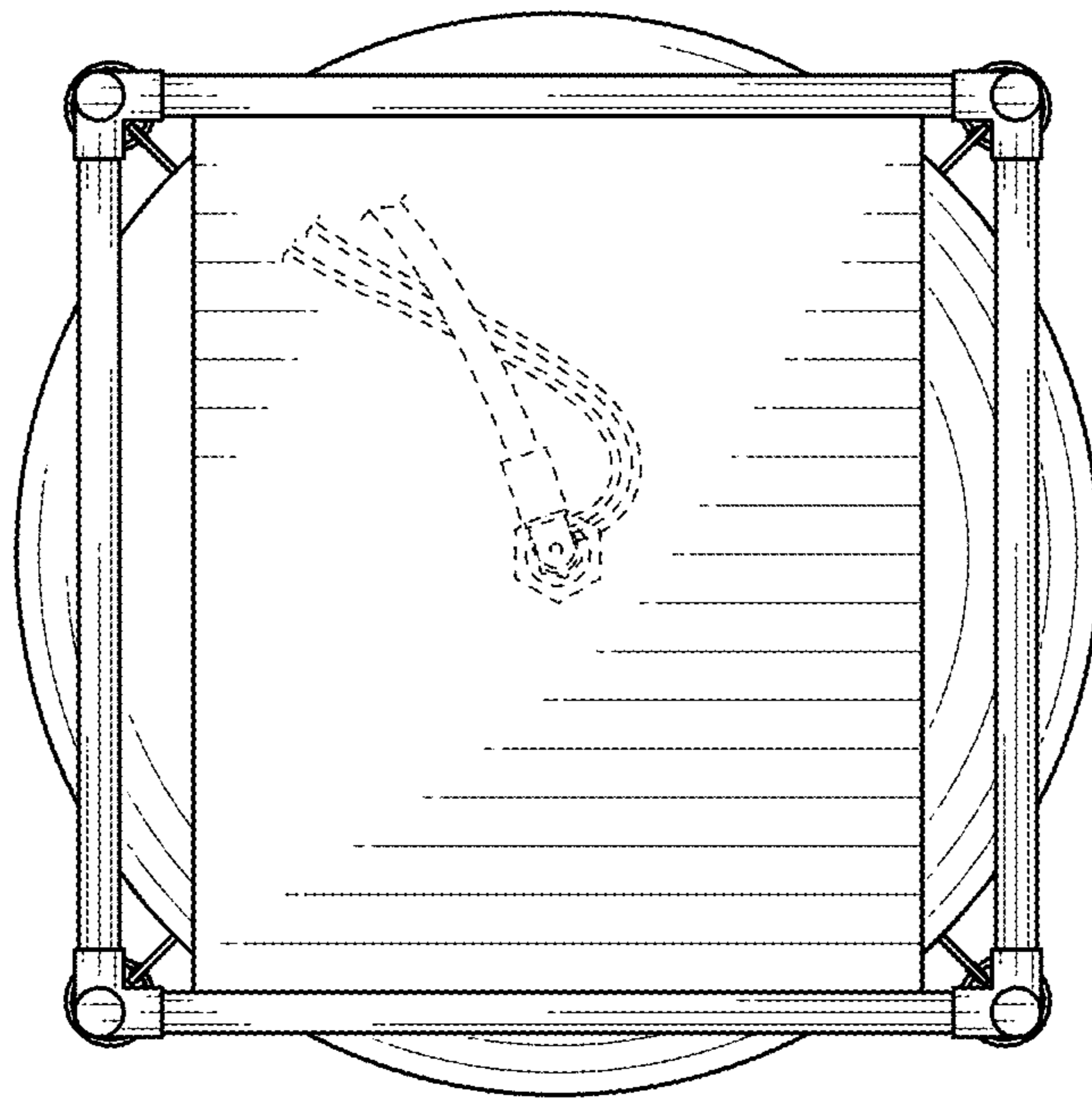


FIG. 4