



US00D916984S

(12) **United States Design Patent** (10) **Patent No.:** **US D916,984 S**
Doerksen et al. (45) **Date of Patent:** **** *Apr. 20, 2021**

(54) **MOTORIZED SCOOTER** 8,794,654 B1 * 8/2014 Chen B62K 9/00
280/287
(71) Applicant: **Future Motion, Inc.**, Santa Cruz, CA D819,498 S * 6/2018 Li D12/107
(US) D830,911 S * 10/2018 Li D12/110
D855,116 S * 7/2019 Desberg D21/424

(72) Inventors: **Kyle Jonathan Doerksen**, Santa Cruz,
CA (US); **Joseph Wilcox**, Palo Alto,
CA (US)

* cited by examiner

Primary Examiner — Cynthia M. Chin

(73) Assignee: **Future Motion, Inc.**, Santa Cruz, CA
(US)

(74) *Attorney, Agent, or Firm* — Kolitch Romano LLP

(*) Notice: This patent is subject to a terminal dis-
claimer.

(57) **CLAIM**

The ornamental design for a motorized scooter, as shown
and described.

(**) Term: **15 Years**

(21) Appl. No.: **29/695,236**

(22) Filed: **Jun. 17, 2019**

DESCRIPTION

(51) **LOC (13) Cl.** **21-01**

(52) **U.S. Cl.**

USPC **D21/423**; D21/432

(58) **Field of Classification Search**

USPC D21/419, 421, 423, 432, 435, 760, 763,
D21/765, 771; D12/1, 110

CPC B62K 3/002; B62K 9/00; B62K 2202/00;
B62K 15/00; B62K 2015/001; B62K

2015/003; B60Y 2200/126

See application file for complete search history.

FIG. 1 is a front view of our new design for a motorized
scooter;

FIG. 2 is a rear view thereof;

FIG. 3 is a left side view thereof;

FIG. 4 is a right side view thereof;

FIG. 5 is a top view thereof;

FIG. 6 is a bottom view thereof;

FIG. 7 is a perspective view thereof; and,

FIG. 8 is another perspective view thereof.

The broken lines are for the purpose of illustrating portions
of the article that form no part of the claim. The shading
lines shown in the drawings represent the approximate
three-dimensional contour of the design, and are not
intended to indicate surface decoration.

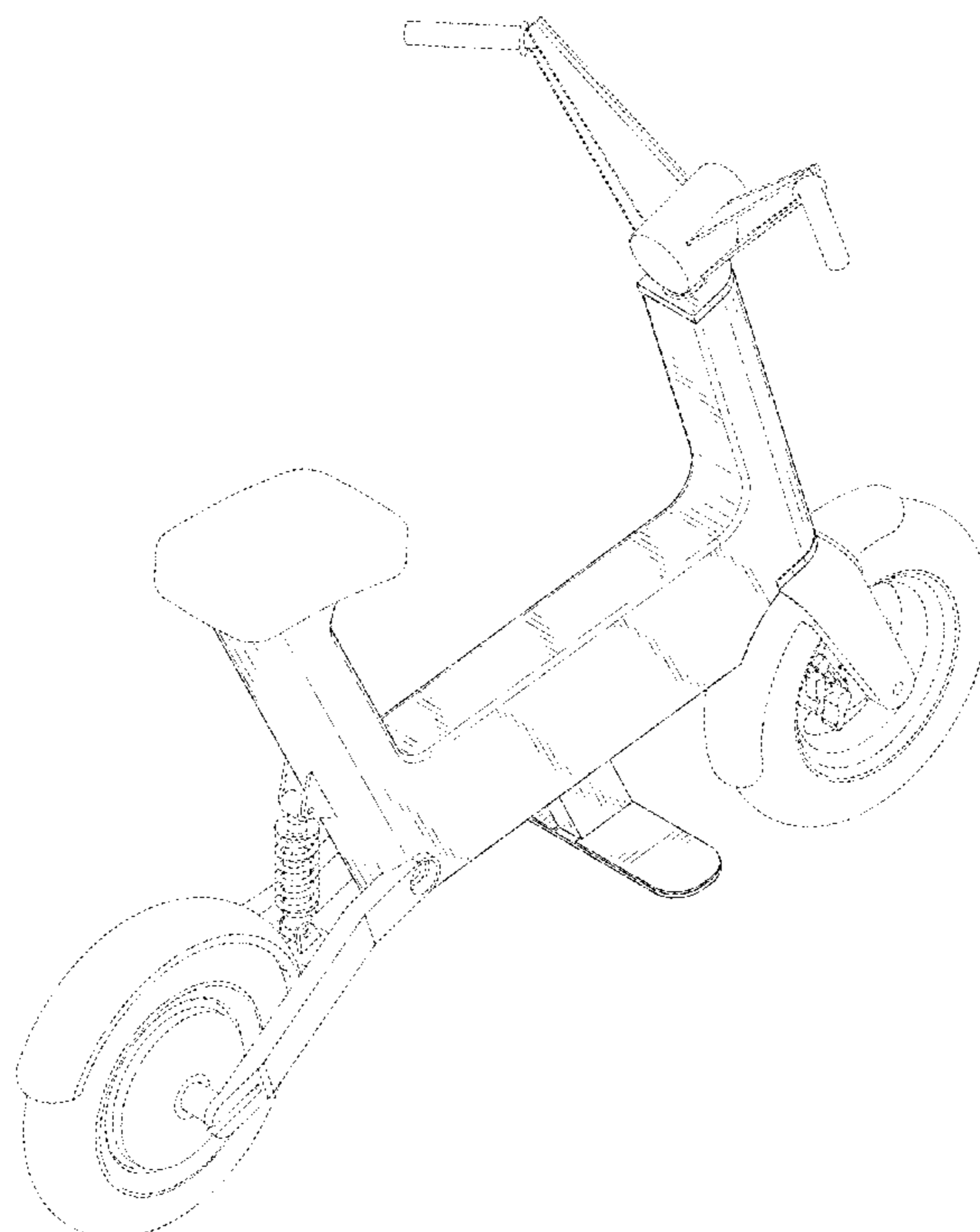
(56) **References Cited**

U.S. PATENT DOCUMENTS

D253,901 S * 1/1980 Sansom D12/110

D694,672 S * 12/2013 Starck D12/110

1 Claim, 8 Drawing Sheets



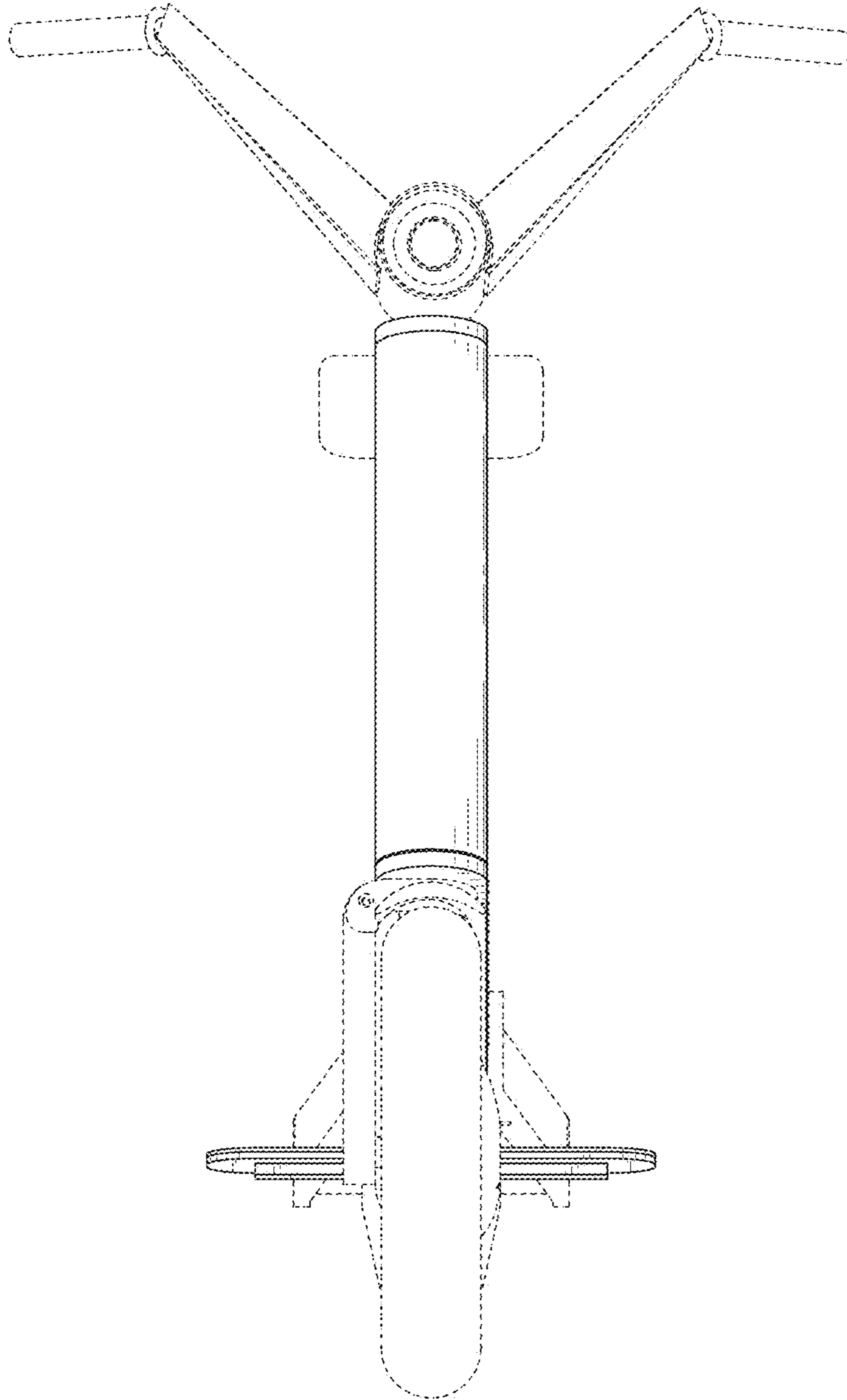


FIG. 1

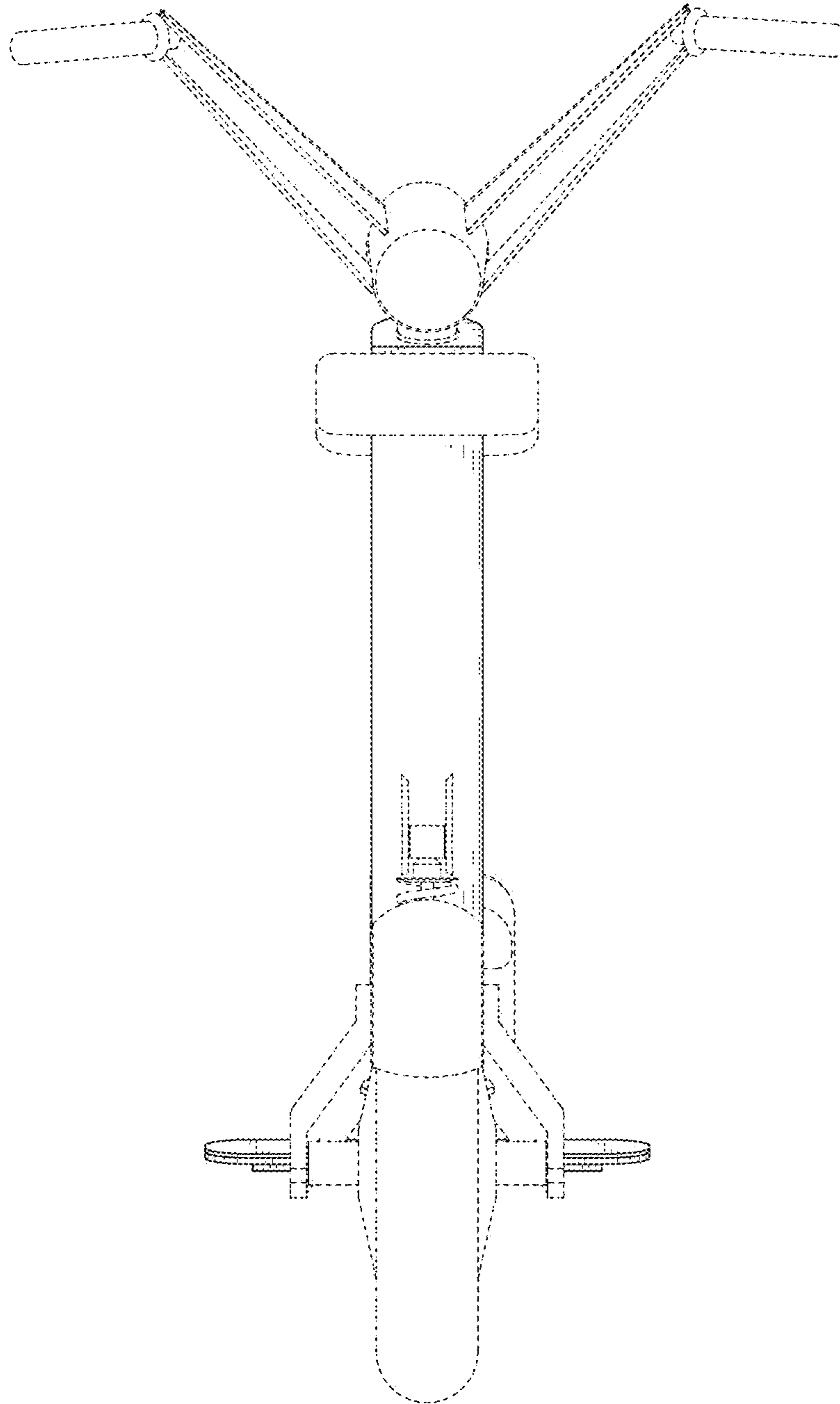


FIG. 2

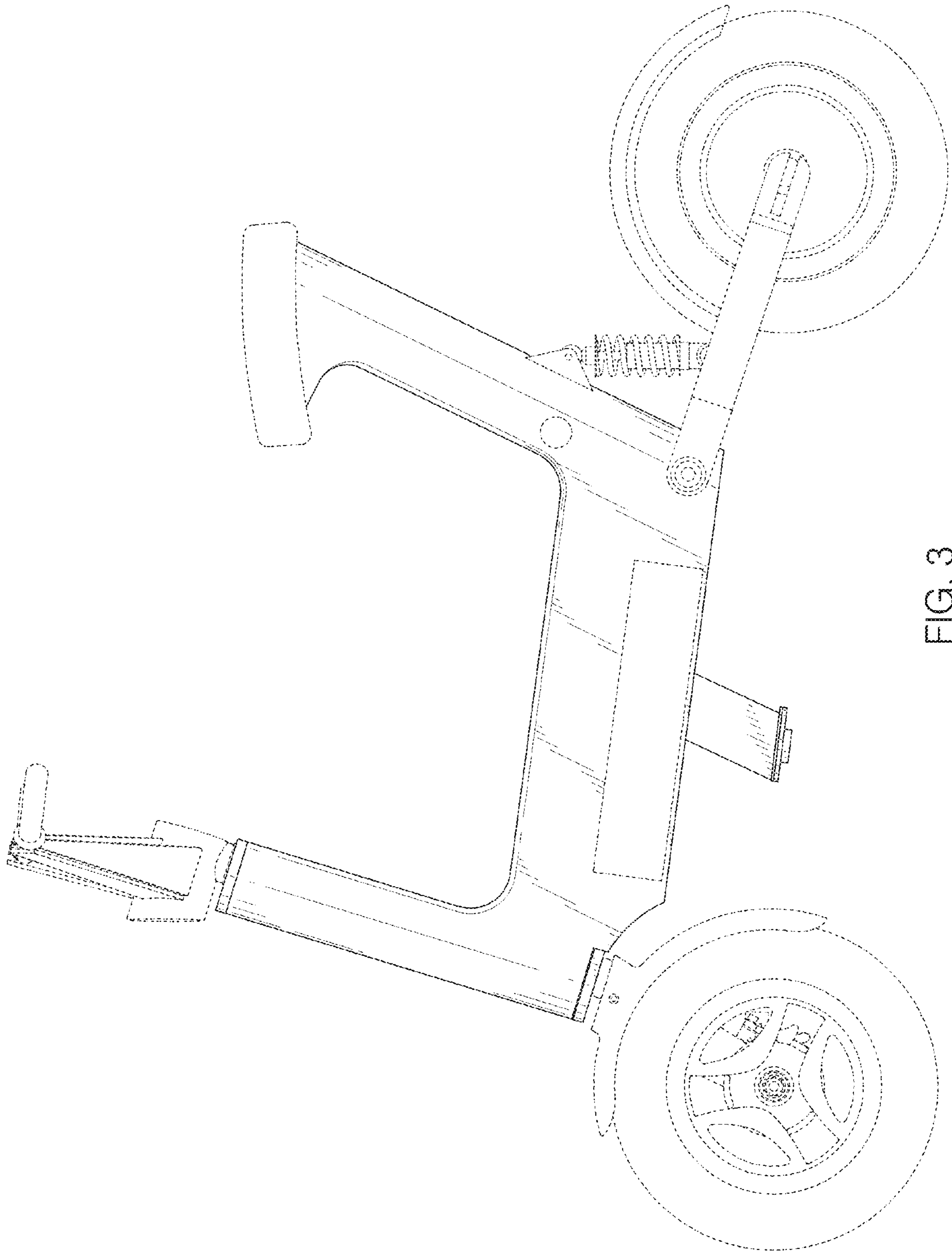


FIG. 3

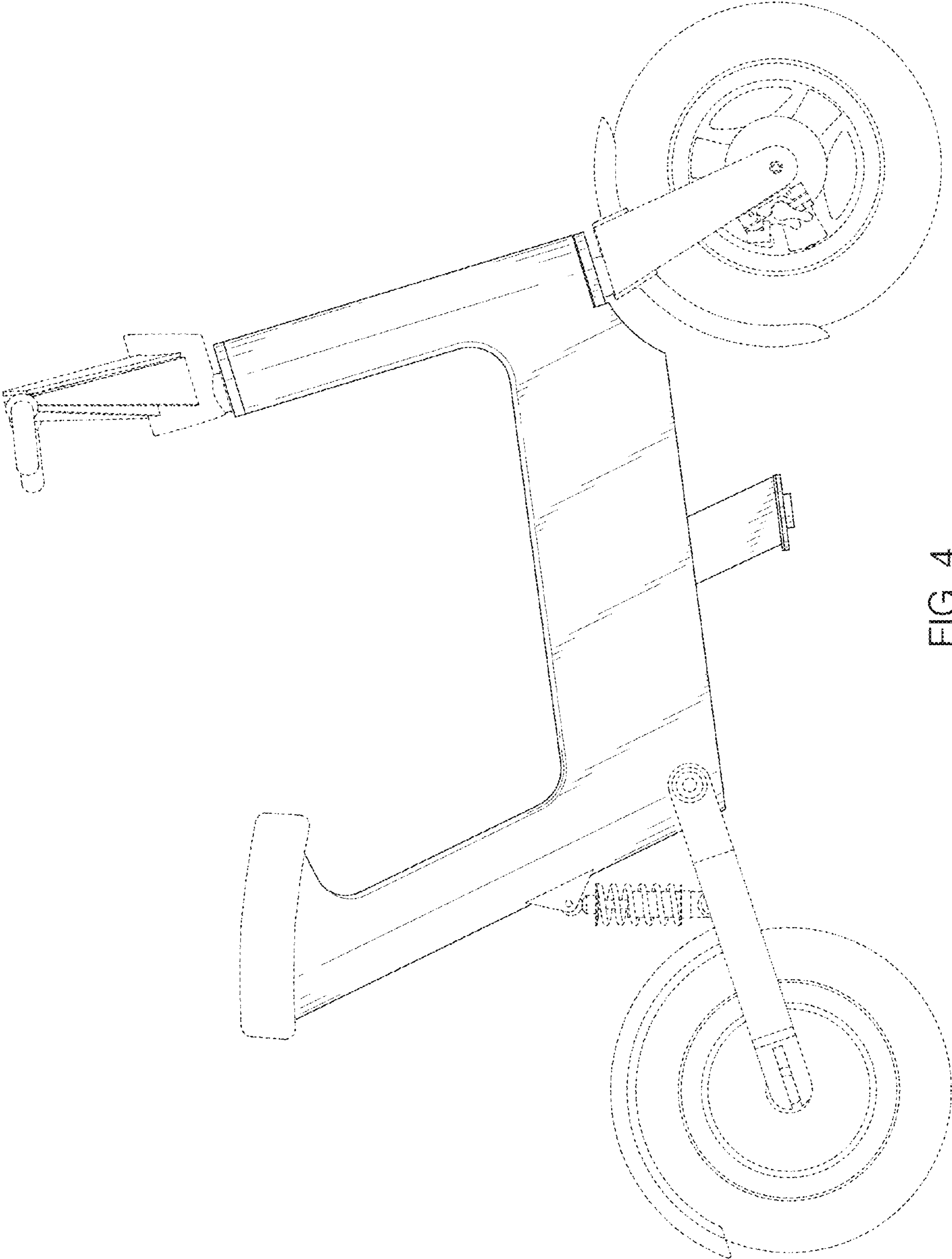


FIG. 4

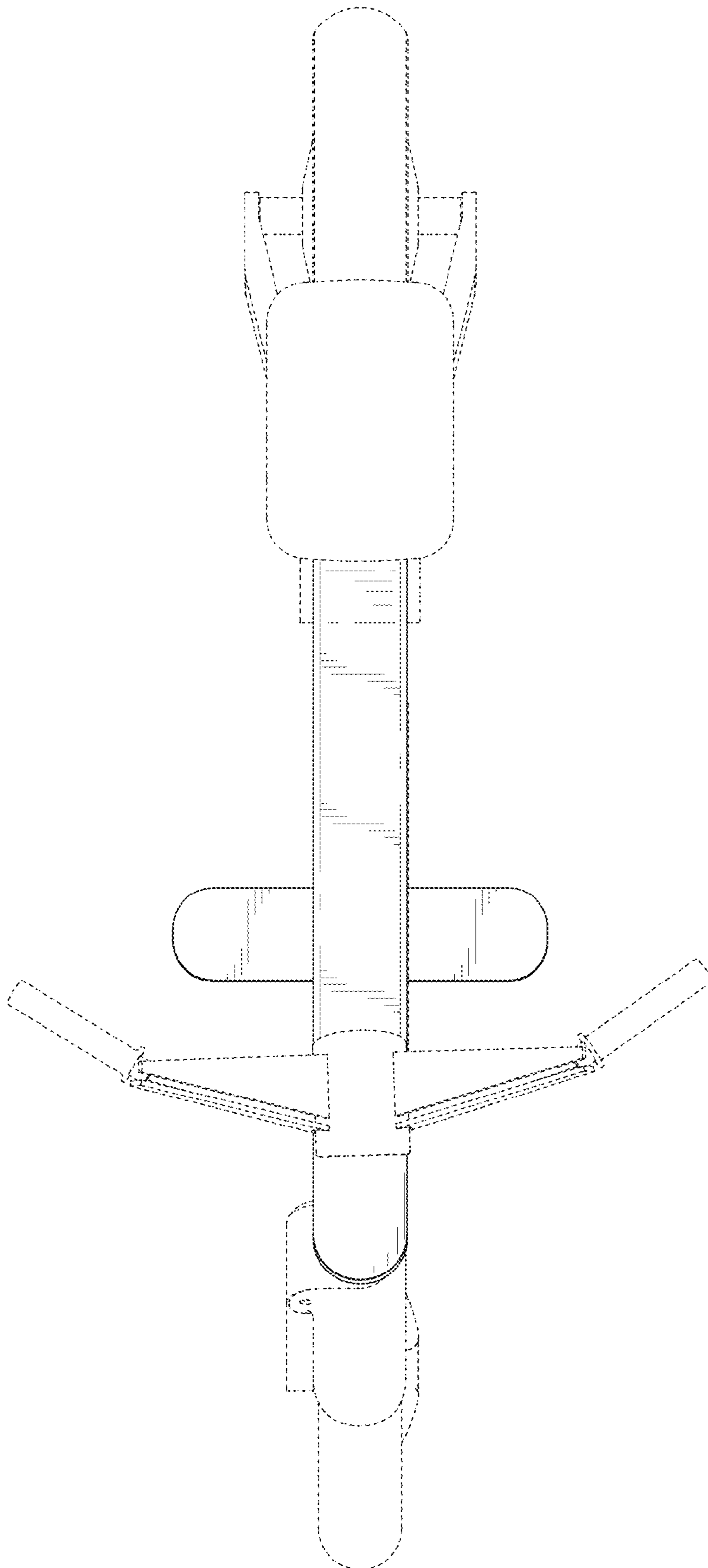


FIG. 5

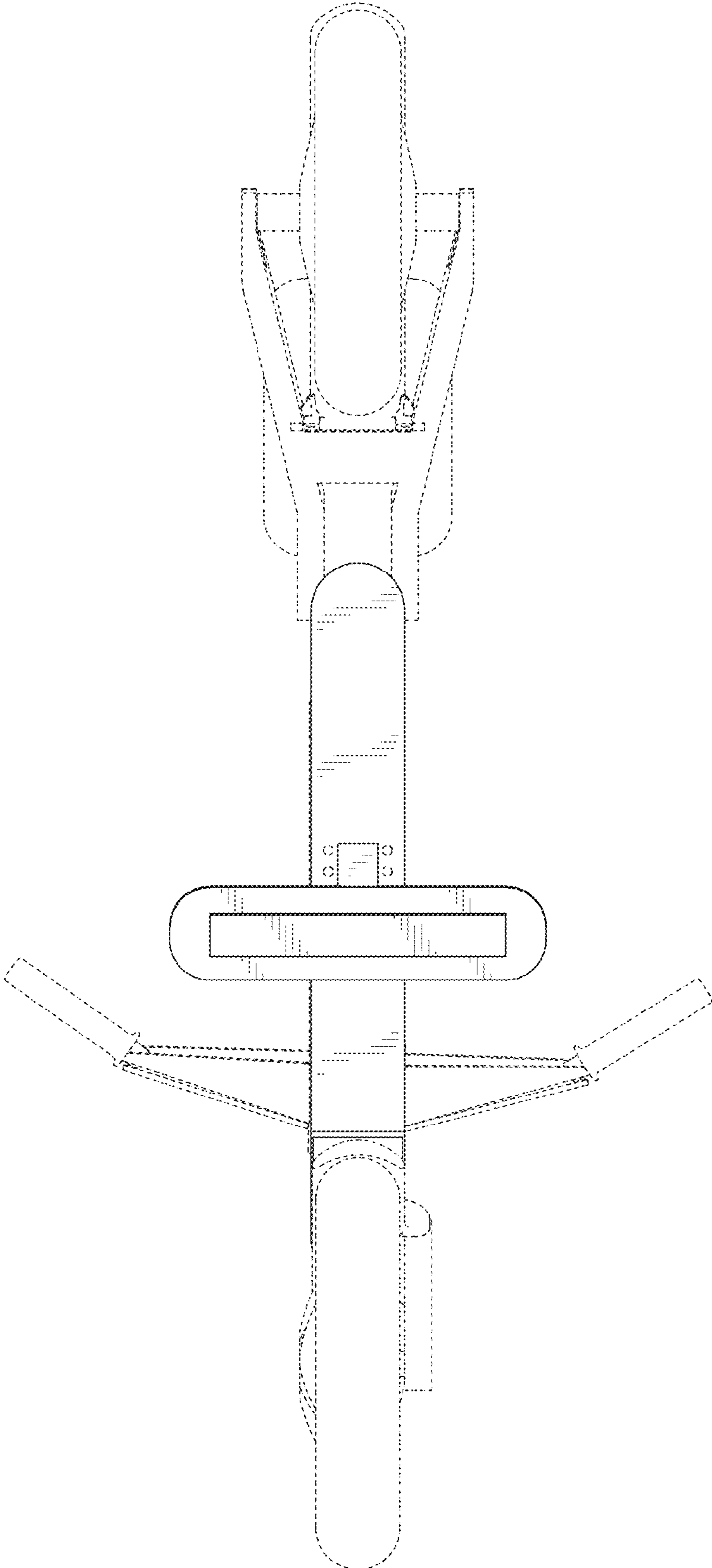


FIG. 6

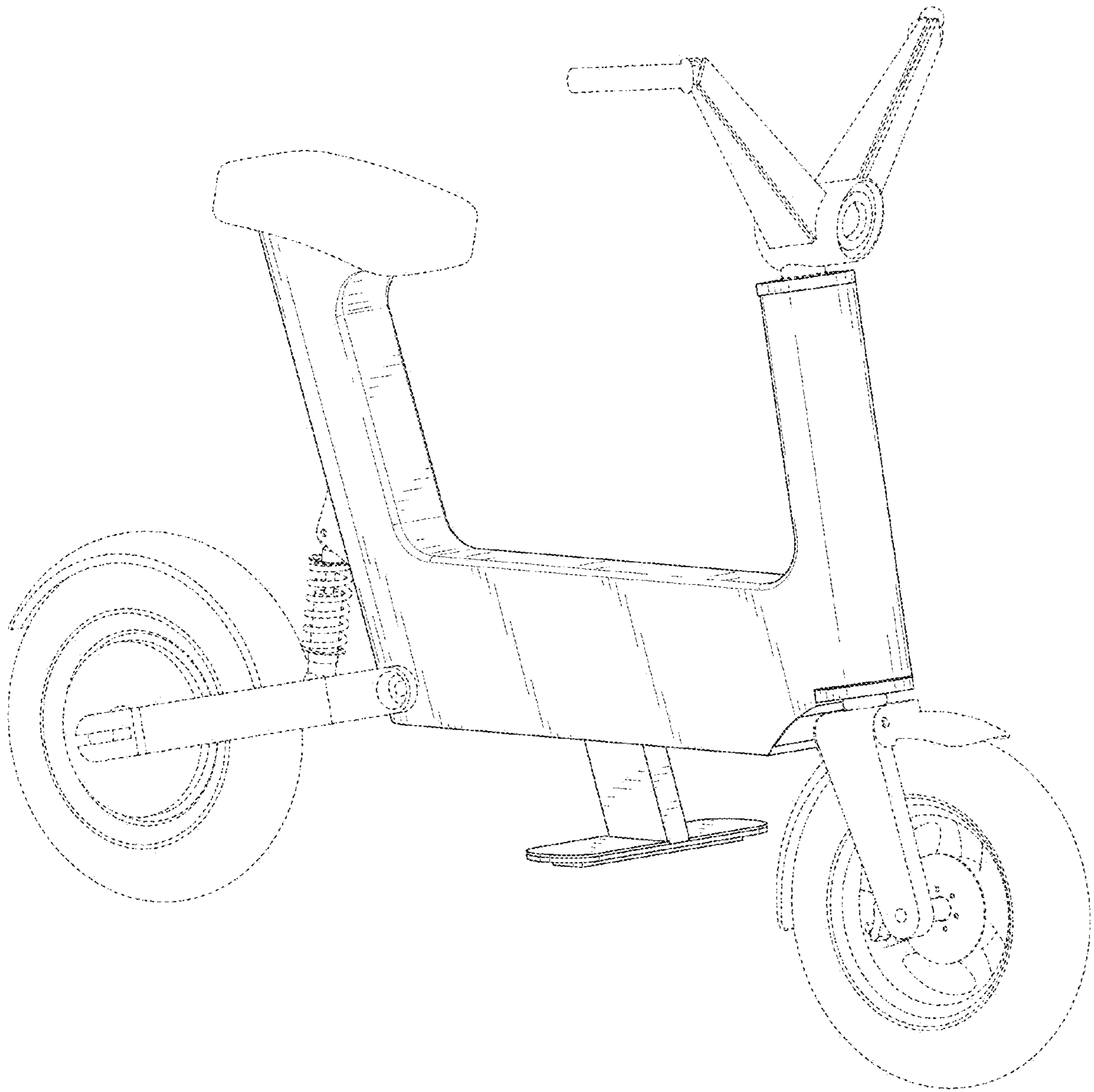


FIG. 7

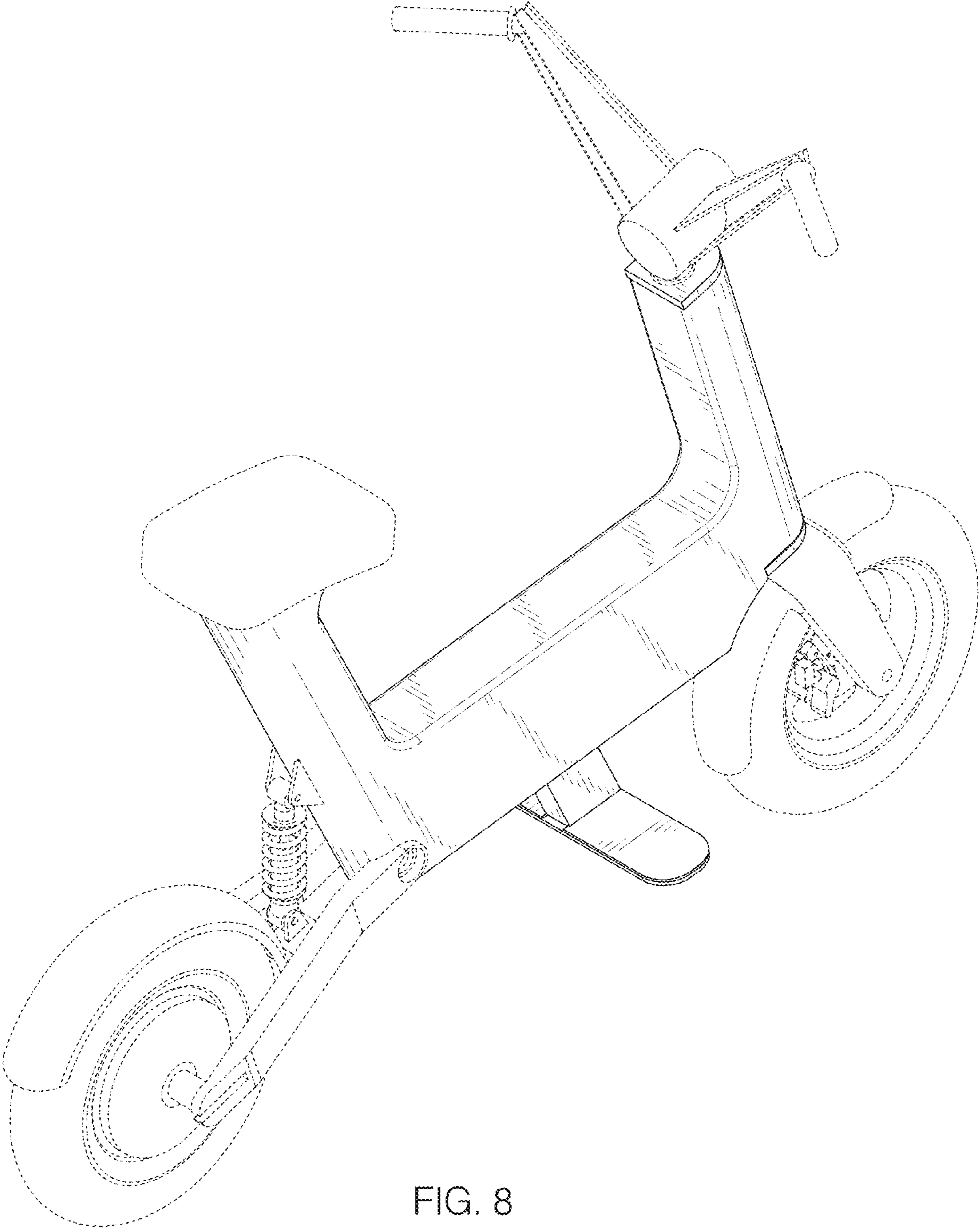


FIG. 8