



US00D916979S

(12) **United States Design Patent**
Wei

(10) **Patent No.:** **US D916,979 S**
(45) **Date of Patent:** **** Apr. 20, 2021**

- (54) **FLOATER ATTACHMENT FOR UNDERWATER VEHICLE**
- (71) Applicant: **Tianjin Deepfar Ocean Technology Co., Ltd., TianJin (CN)**
- (72) Inventor: **Jianchang Wei, TianJin (CN)**
- (73) Assignee: **Tianjin Deepfar Ocean Technology Co., Ltd., Tianjin (CN)**
- (**) Term: **15 Years**
- (21) Appl. No.: **29/636,793**
- (22) Filed: **Feb. 12, 2018**
- (30) **Foreign Application Priority Data**

Nov. 22, 2017 (CN) 201730578603.4

- (51) **LOC (13) Cl.** **12-06**
- (52) **U.S. Cl.**
USPC **D21/308**

- (58) **Field of Classification Search**
USPC D12/308, 317; D21/801
CPC B63C 11/00; B63C 11/34; B63C 11/46;
B63C 2011/028; A63B 35/00; A63B 35/08; A63B 35/10; A63B 35/12
See application file for complete search history.

(56) **References Cited**

U.S. PATENT DOCUMENTS

D242,615 S *	12/1976	Henning	D12/308
5,469,803 A *	11/1995	Gallo	A63B 35/12 114/315
5,482,485 A *	1/1996	Ball	A63B 35/00 441/65
6,000,978 A *	12/1999	Donahue	A63B 35/125 114/315
6,276,294 B1 *	8/2001	Geriene	B63C 11/42 114/245

D844,534 S *	4/2019	Liu	D12/308
D866,445 S *	11/2019	Wu	D12/308
2009/0217859 A1 *	9/2009	Healy	B63G 8/42 114/315
2012/0192781 A1 *	8/2012	Brizzolara	B63B 1/107 114/274
2013/0061793 A1 *	3/2013	Faires	B63C 11/46 114/315
2013/0305978 A1 *	11/2013	Glezer	B63G 8/001 114/321
2016/0001860 A1 *	1/2016	Mizunaga	B63H 19/04 114/331
2016/0244134 A1 *	8/2016	Golovkin	B63C 11/46
2018/0079086 A1 *	3/2018	Patel	B25J 9/0009

* cited by examiner

Primary Examiner — Cynthia M. Chin

(74) *Attorney, Agent, or Firm* — BakerHostetler

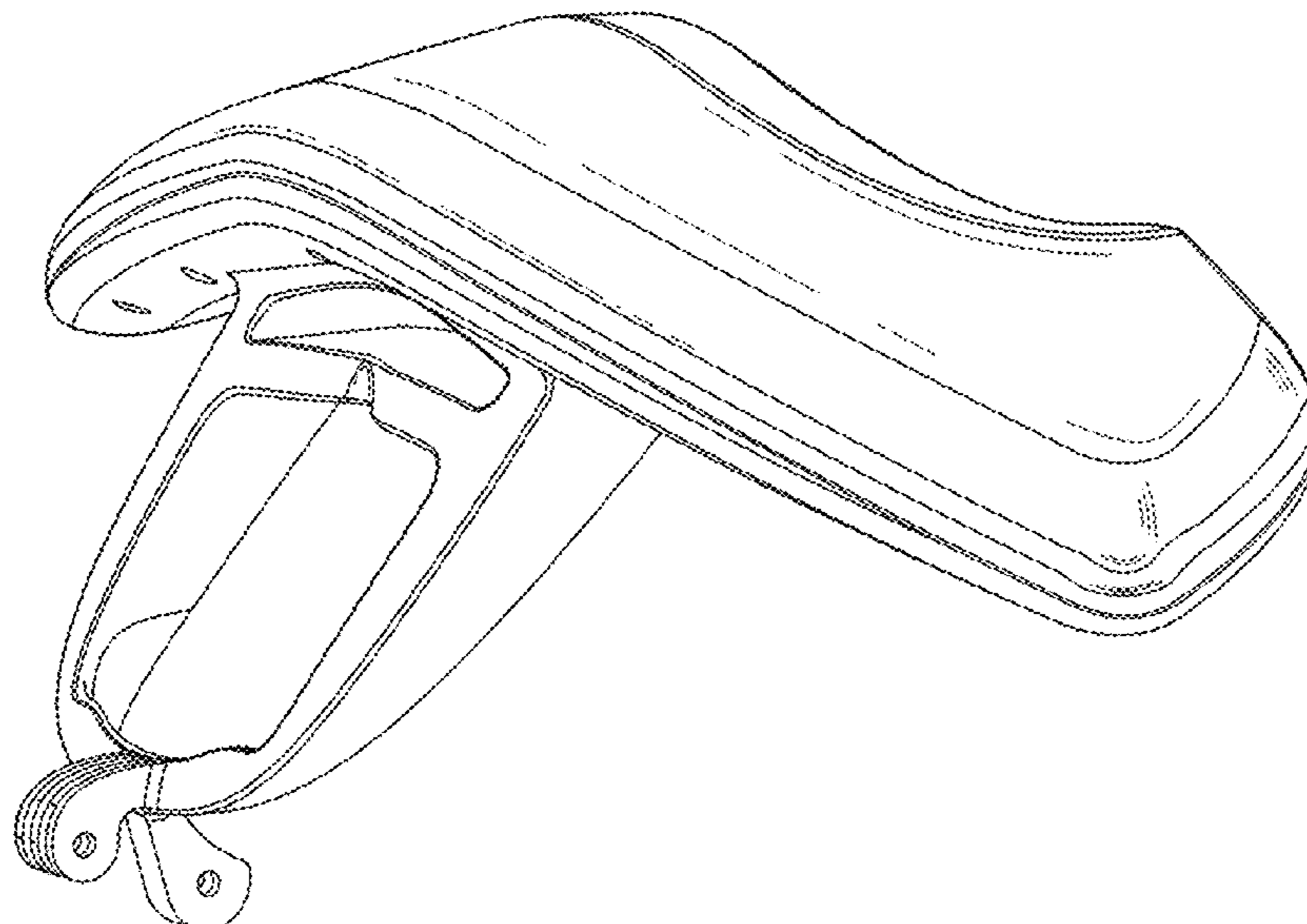
(57) **CLAIM**

I claim the ornamental design for a floater attachment for underwater vehicle, as shown and described.

DESCRIPTION

FIG. 1 is the perspective view for floater attachment for underwater vehicle, showing my new design.
 FIG. 2 is the front view for floater attachment for underwater vehicle, showing my new design.
 FIG. 3 is the rear view for floater attachment for underwater vehicle, showing my new design.
 FIG. 4 is the left-side view for floater attachment for underwater vehicle, showing my new design.
 FIG. 5 is the right-side top view for floater attachment for underwater vehicle, showing my new design.
 FIG. 6 is the top view for floater attachment for underwater vehicle, showing my new design; and,
 FIG. 7 is the bottom view for floater attachment for underwater vehicle, showing my new design.

1 Claim, 7 Drawing Sheets



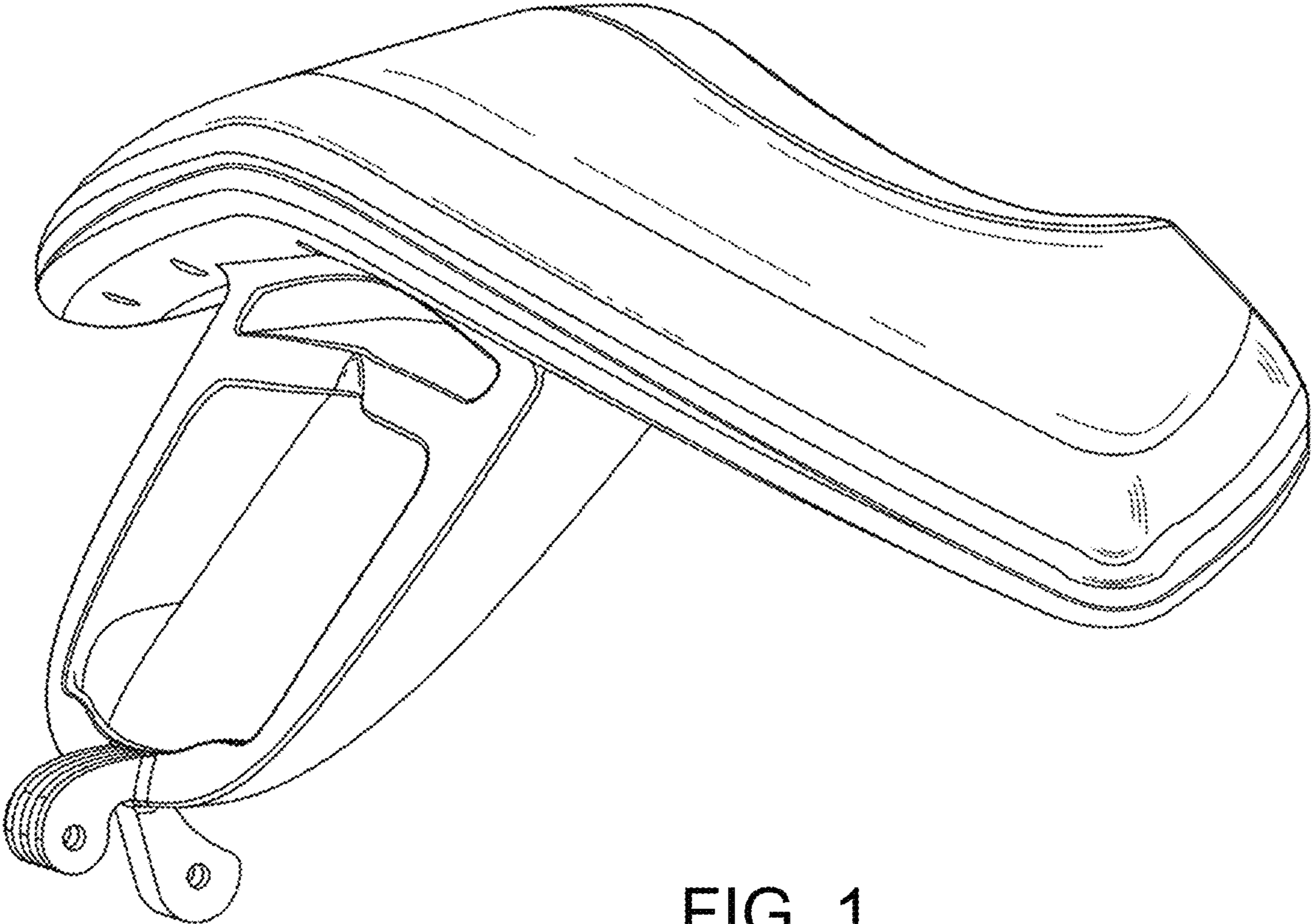


FIG. 1

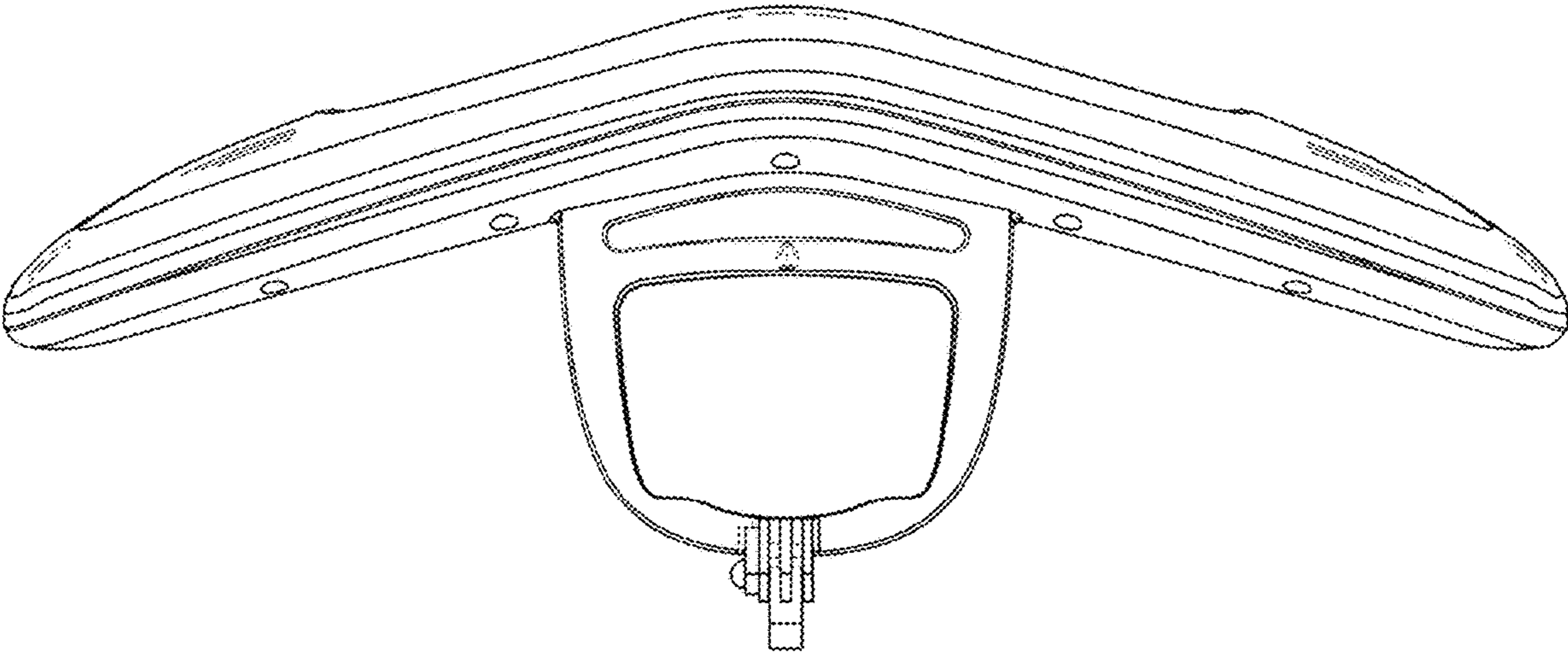


FIG. 2

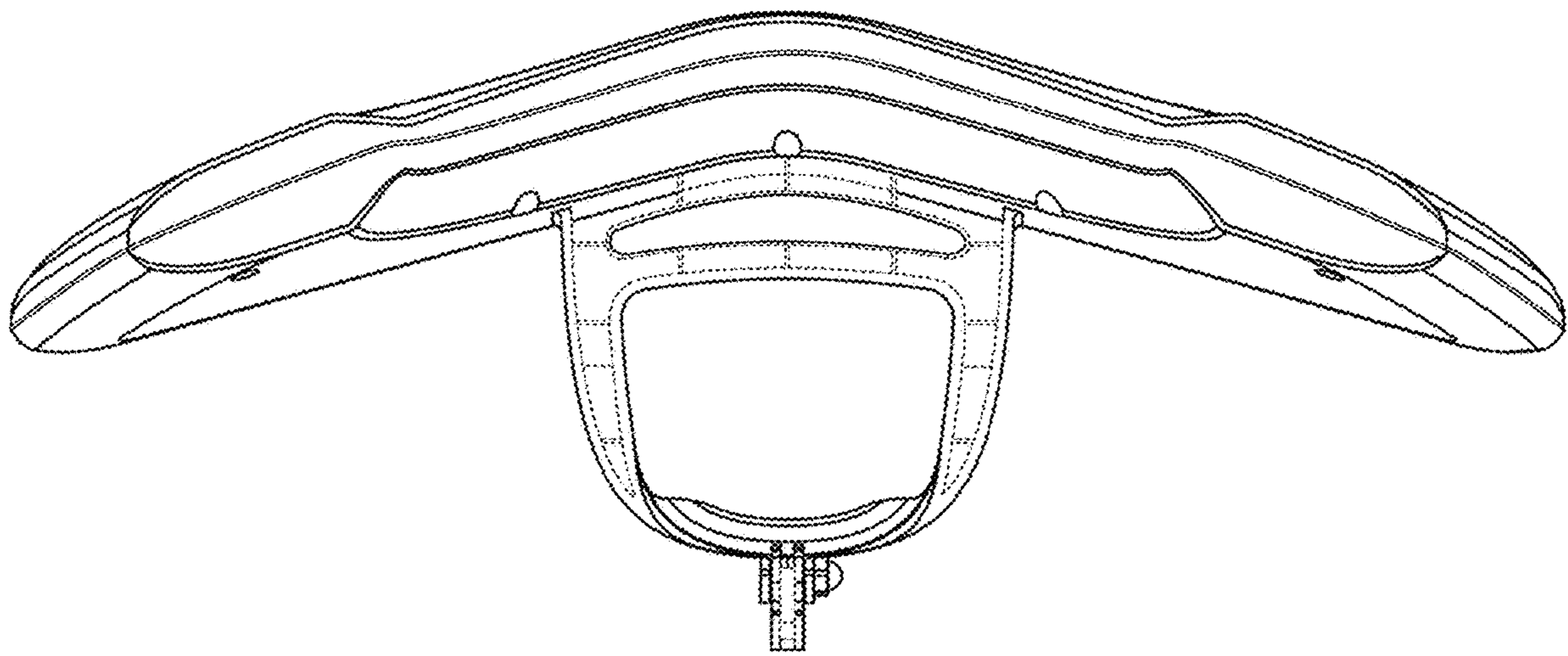


FIG. 3

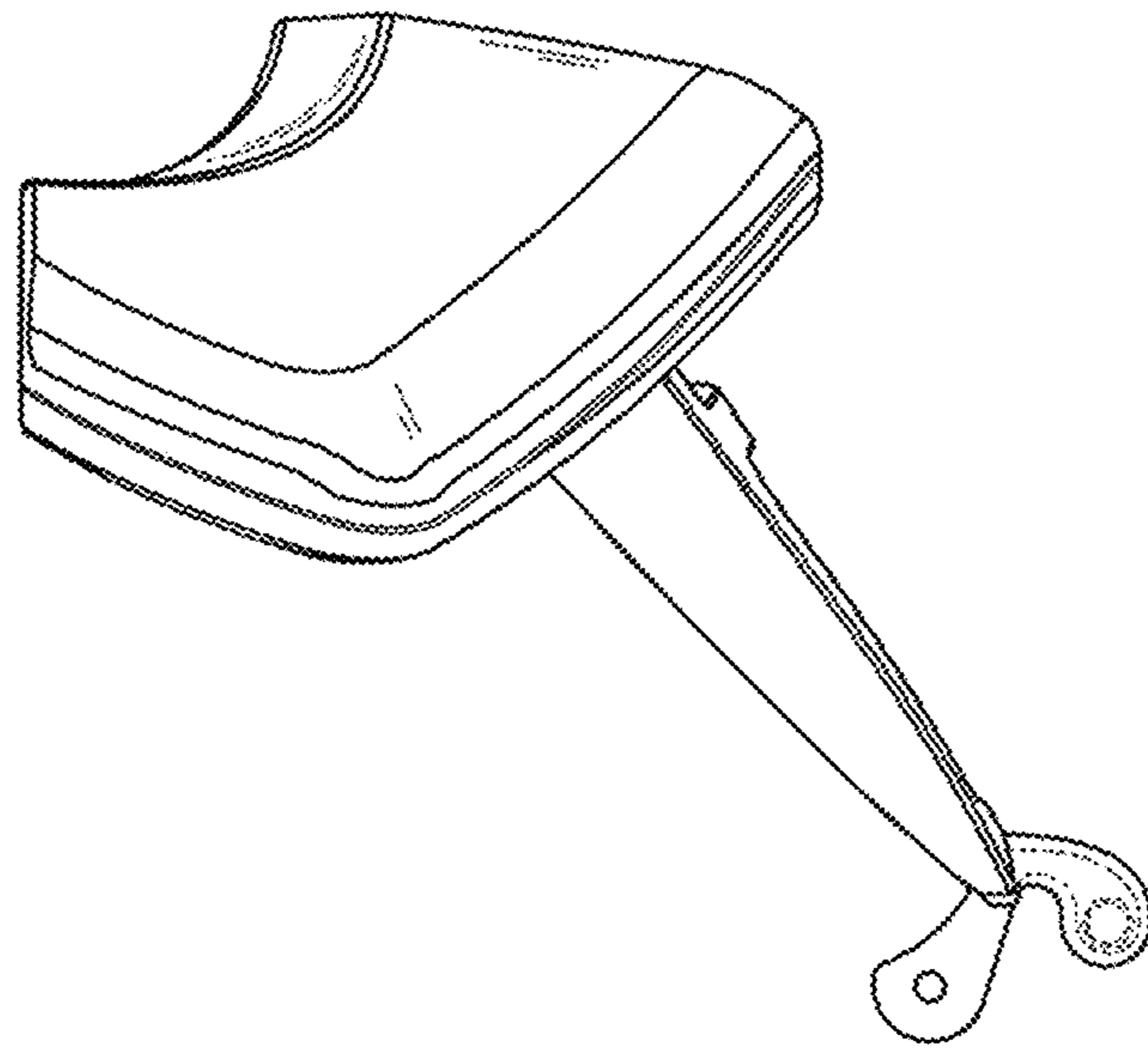


FIG. 4

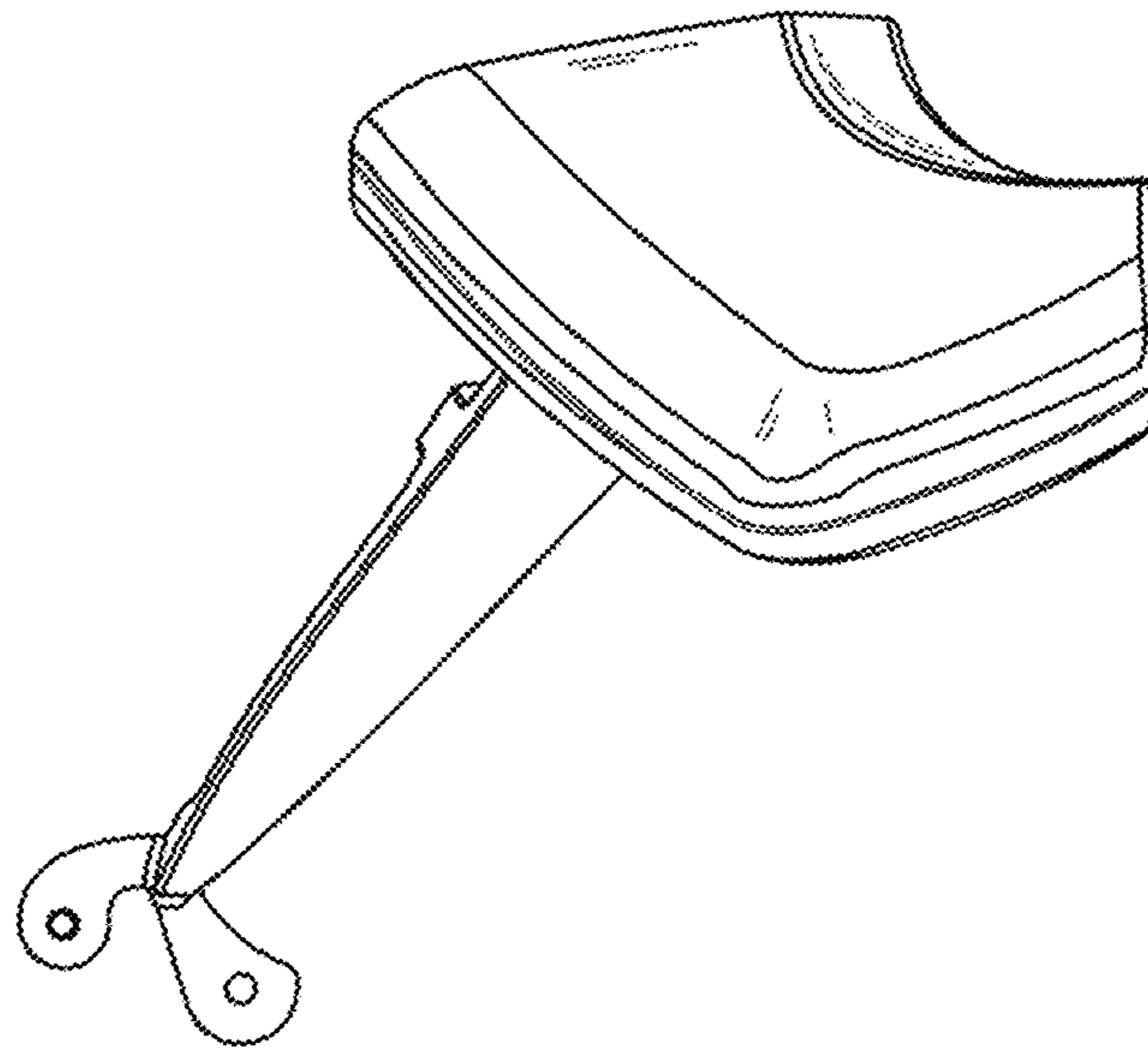


FIG. 5

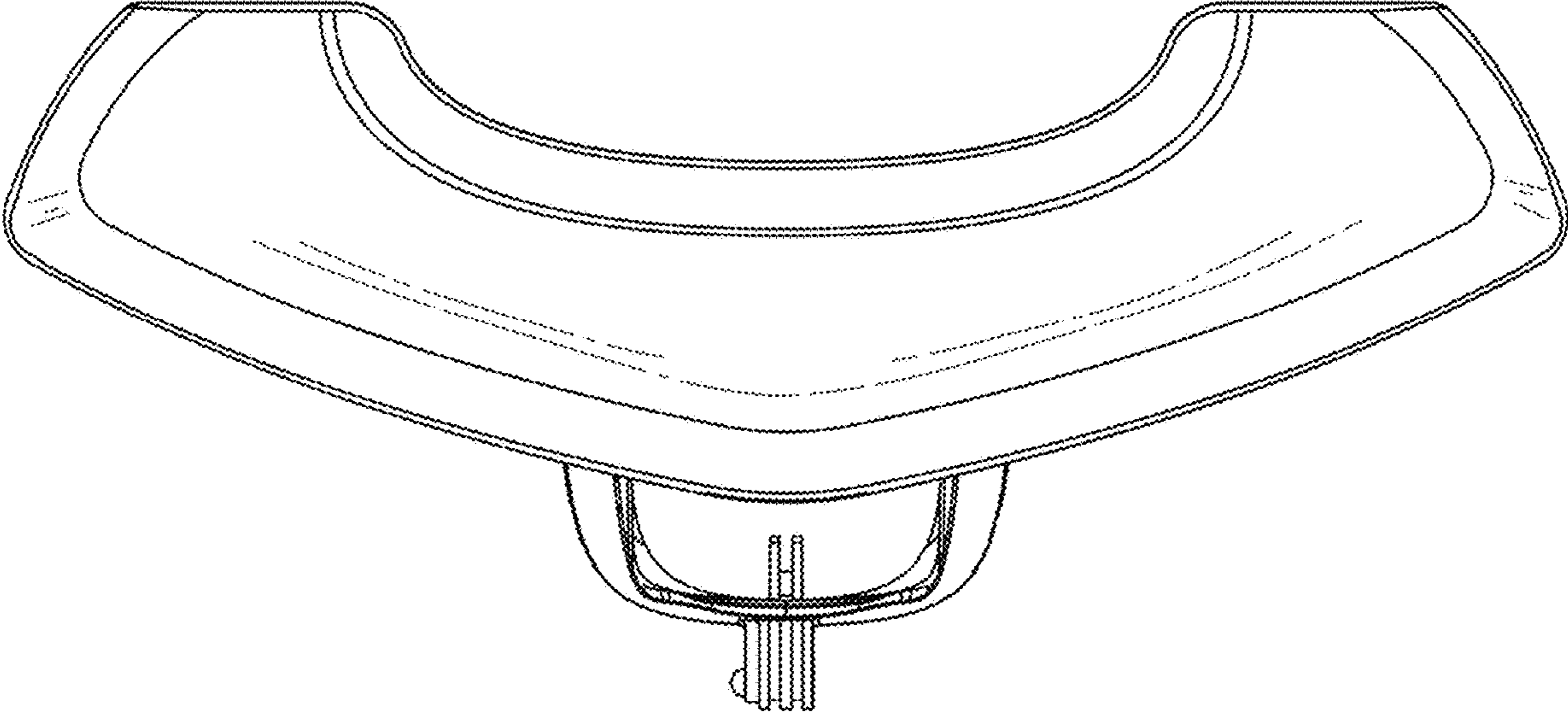


FIG. 6

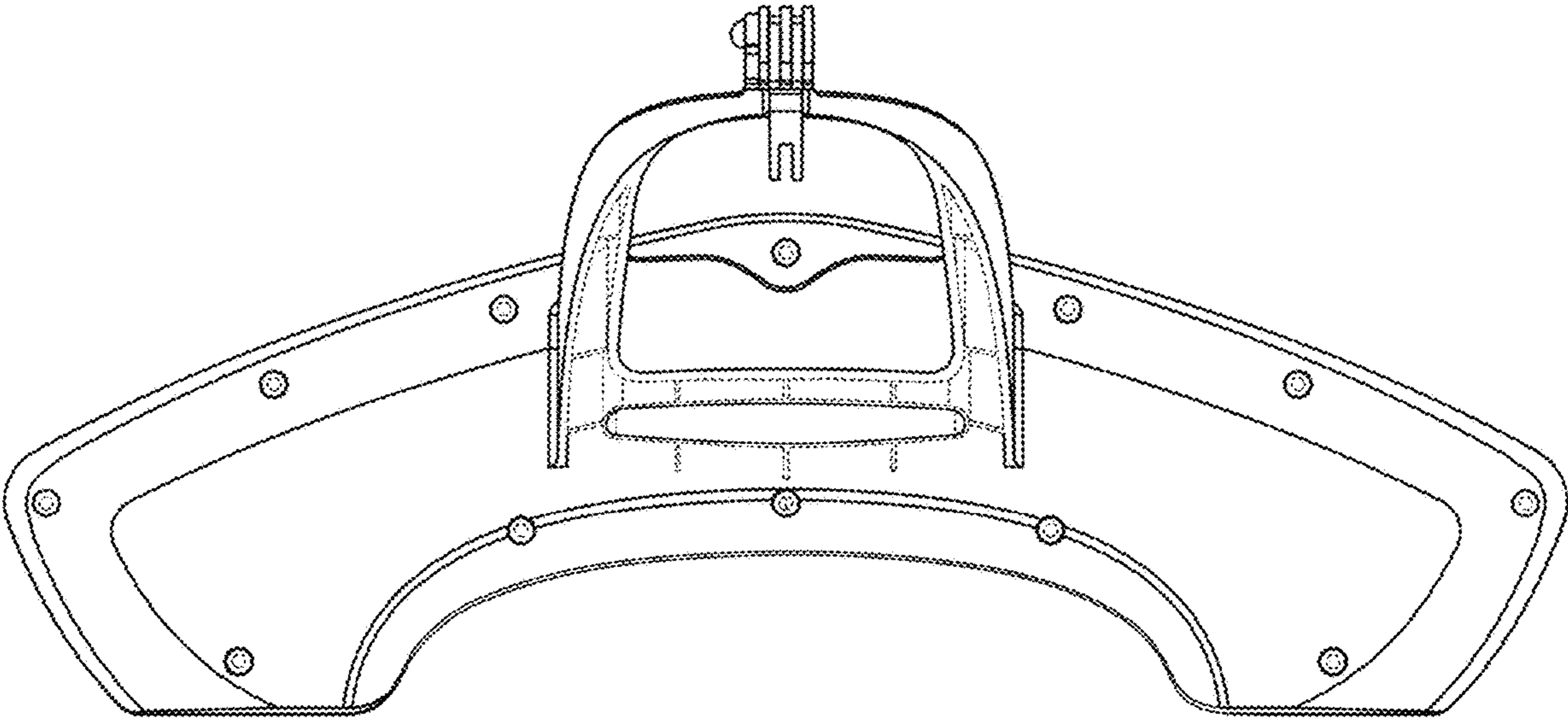


FIG. 7