



US00D916975S

(12) **United States Design Patent**
Dunn

(10) **Patent No.:** **US D916,975 S**
(45) **Date of Patent:** **** Apr. 20, 2021**

(54) **COMBINED ELECTRONIC DISPLAY ASSEMBLIES AND POLE**

(71) Applicant: **Manufacturing Resources International, Inc.**, Alpharetta, GA (US)

(72) Inventor: **William Dunn**, Alpharetta, GA (US)

(73) Assignee: **Manufacturing Resources International, Inc.**, Alpharetta, GA (US)

(**) Term: **15 Years**

(21) Appl. No.: **29/708,590**

(22) Filed: **Oct. 8, 2019**

(51) **LOC (13) Cl.** **20-02**

(52) **U.S. Cl.**
USPC **D20/41**

(58) **Field of Classification Search**
USPC D10/109.1, 109.2, 113.4; D11/181, 182, D11/183; D14/125, 126, 127, 128, 129; D18/26; D20/10, 12, 16, 17, 18, 19, 21, D20/31, 29, 30, 39, 40, 41, 42, 43, 44, 99
CPC G09F 1/00; G09F 1/08; G09F 5/00; G09F 5/02; G09F 7/00; G09F 19/00; G09F 23/00; G09F 27/00; G09F 21/00; G09F 21/06; G09F 21/08; Y10S 362/812; A47F 3/00; A47F 8/00; A47F 11/00
See application file for complete search history.

(56) **References Cited**

U.S. PATENT DOCUMENTS

D453,194 S *	1/2002	Gentelia	D20/41
D479,859 S *	9/2003	Strunk	D20/41
D483,074 S *	12/2003	Strunk	D20/41
D486,188 S *	2/2004	Norcross	D20/43
D653,662 S *	2/2012	Park	D14/358

D654,116 S *	2/2012	McDougall	D20/41
D752,529 S *	3/2016	Loretan	D14/125
D754,256 S *	4/2016	Maman	D20/43
D777,695 S *	1/2017	Odryna	D14/125
D807,840 S *	1/2018	Lee	D14/125
D816,624 S *	5/2018	Odryna	D14/125
D817,288 S *	5/2018	Won	D14/125

(Continued)

OTHER PUBLICATIONS

Vertigo Digital Displays, Innovation on Display FlexVu Totem Brochure, 2014, 6 pages.

(Continued)

Primary Examiner — Mary Ann Calabrese

Assistant Examiner — Catherine Ho

(74) *Attorney, Agent, or Firm* — Standley Law Group LLP; Jeffrey S. Standley; Adam J. Smith

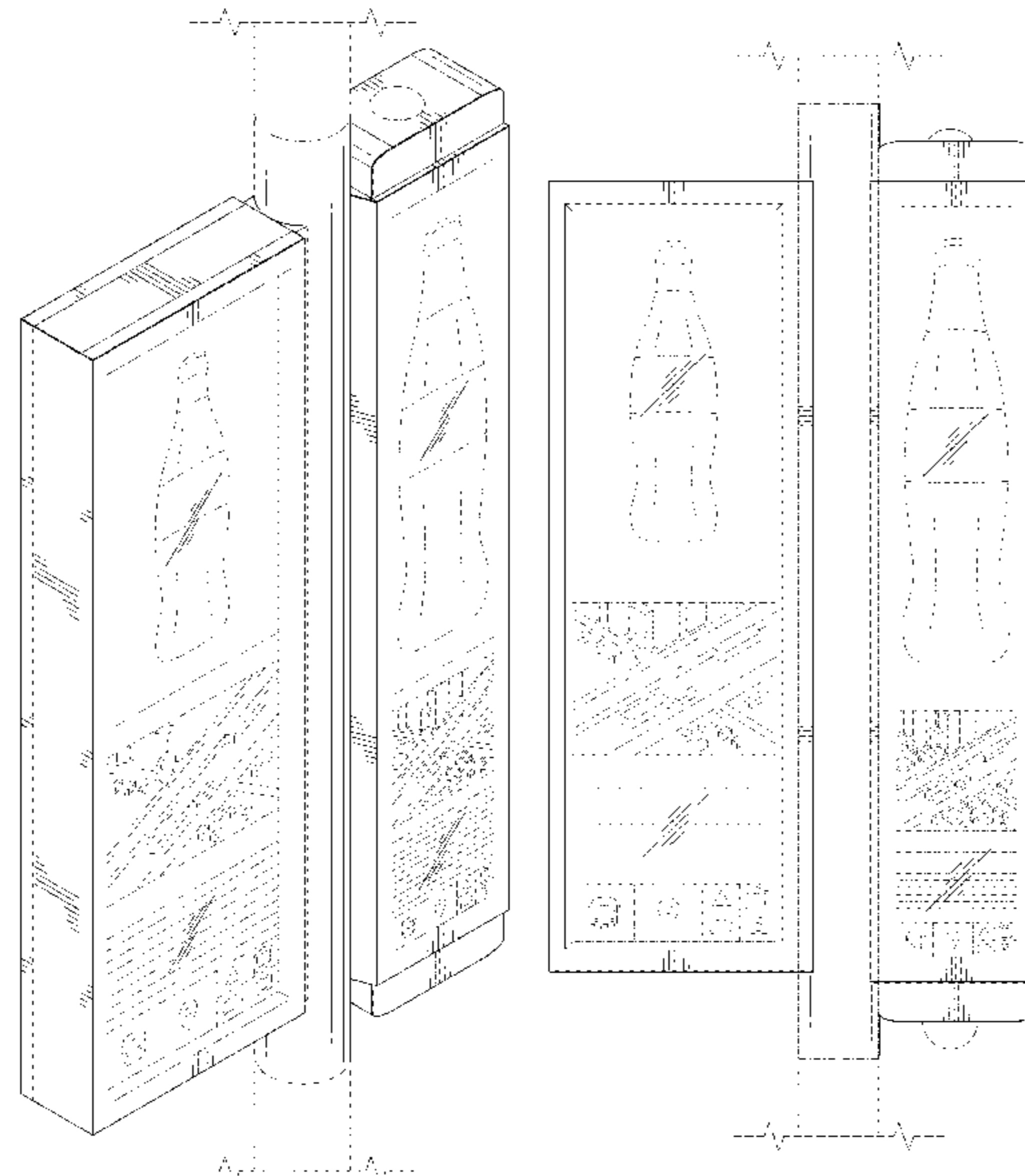
(57) **CLAIM**

I claim the ornamental design for combined electronic display assemblies and pole, as shown and described.

DESCRIPTION

FIG. 1 is a front perspective view of the combined electronic display assemblies and pole, showing my new design; FIG. 2 is a front elevation view thereof; FIG. 3 is a rear elevation view thereof; FIG. 4 is a right side elevation view thereof; FIG. 5 is a left side elevation view thereof; FIG. 6 is a top view thereof; FIG. 7 is a bottom view thereof; and, FIG. 8 is a perspective view of the combined electronic display assemblies and pole shown in an environment of use. The evenly spaced broken line portions show environment that form no part of the claimed design. The dot-dashed broken lines define the boundary of the claimed design and form no part thereof.

1 Claim, 6 Drawing Sheets



(56)

References Cited

U.S. PATENT DOCUMENTS

D820,798 S * 6/2018 Yurusov D14/125
D831,599 S * 10/2018 Chong D14/126
D839,352 S * 1/2019 Lim D20/39
10,278,311 B2 * 4/2019 DeMars H05K 7/20972
D861,623 S * 10/2019 Odryna D14/125
D879,202 S * 3/2020 Hornsby D20/10
D885,382 S * 5/2020 Kim D14/371
10,757,844 B2 * 8/2020 Dunn G02F 1/133603
10,820,445 B2 * 10/2020 Diaz H05K 7/20145
10,831,050 B2 * 11/2020 Dunn G02F 1/133385

OTHER PUBLICATIONS

Vertigo Digital Displays, FlexVu Totem Shelter, 2017, 2 pages.
Vertigo Digital Displays, All Products Catalogue, 2017, 14 pages.
CIVIQ Smartscapes, FlexVue Ferro 55P/55L, Mar. 16, 2017, 4 pages.
CIVIQ Smartscapes, There are companies that make kiosks. And then there's CIVIQ.—Advanced Smart City Platform, webpage, Jan. 30, 2019, 10 pages.
CIVIQ Smartscapes, Connecting people, places & experiences, webpage, Jan. 30, 2019, 5 pages.
CIVIQ Smartscapes, Connecting people, places & experiences, screen shot of devices webpage, Jan. 30, 2019, 1 page.
Manufacturing Resources International, Inc., mri-inc.net, homepage webpage, Oct. 11, 2019, 5 pages.

* cited by examiner

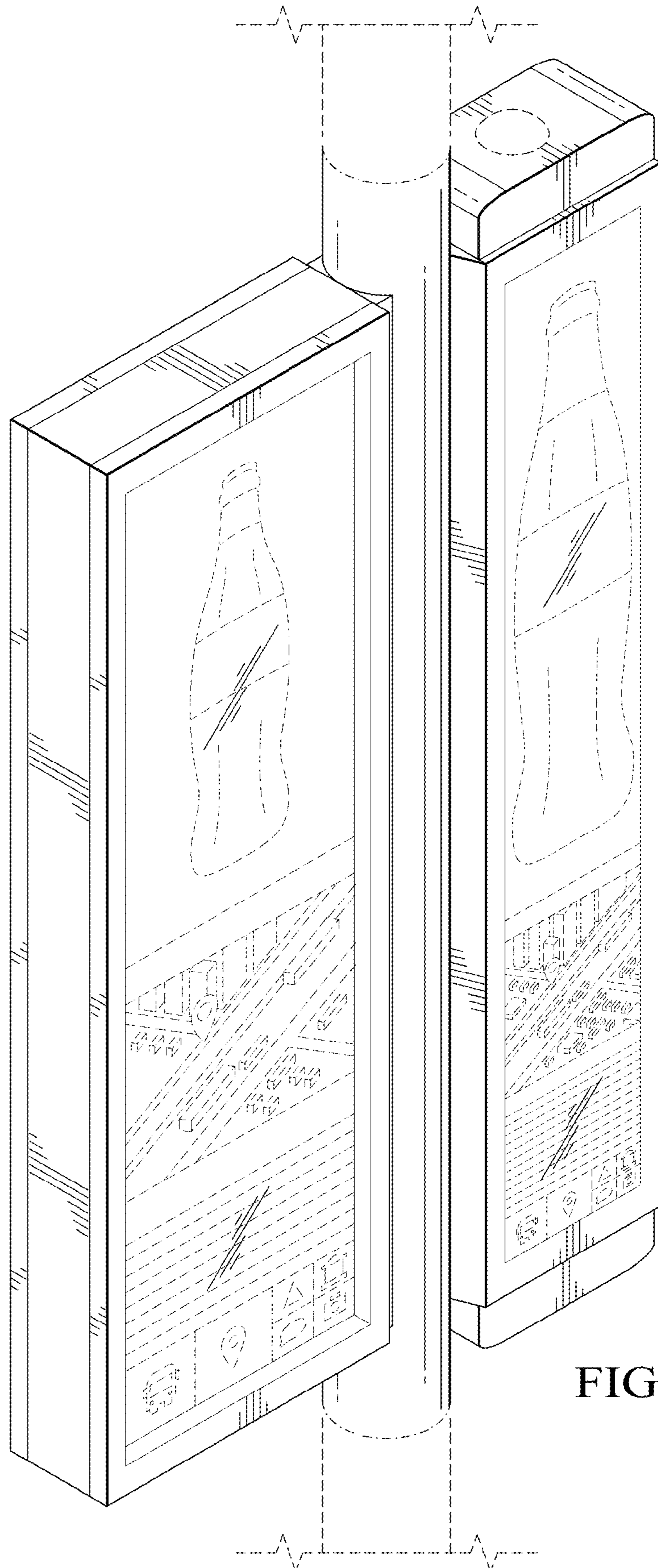


FIG. 1

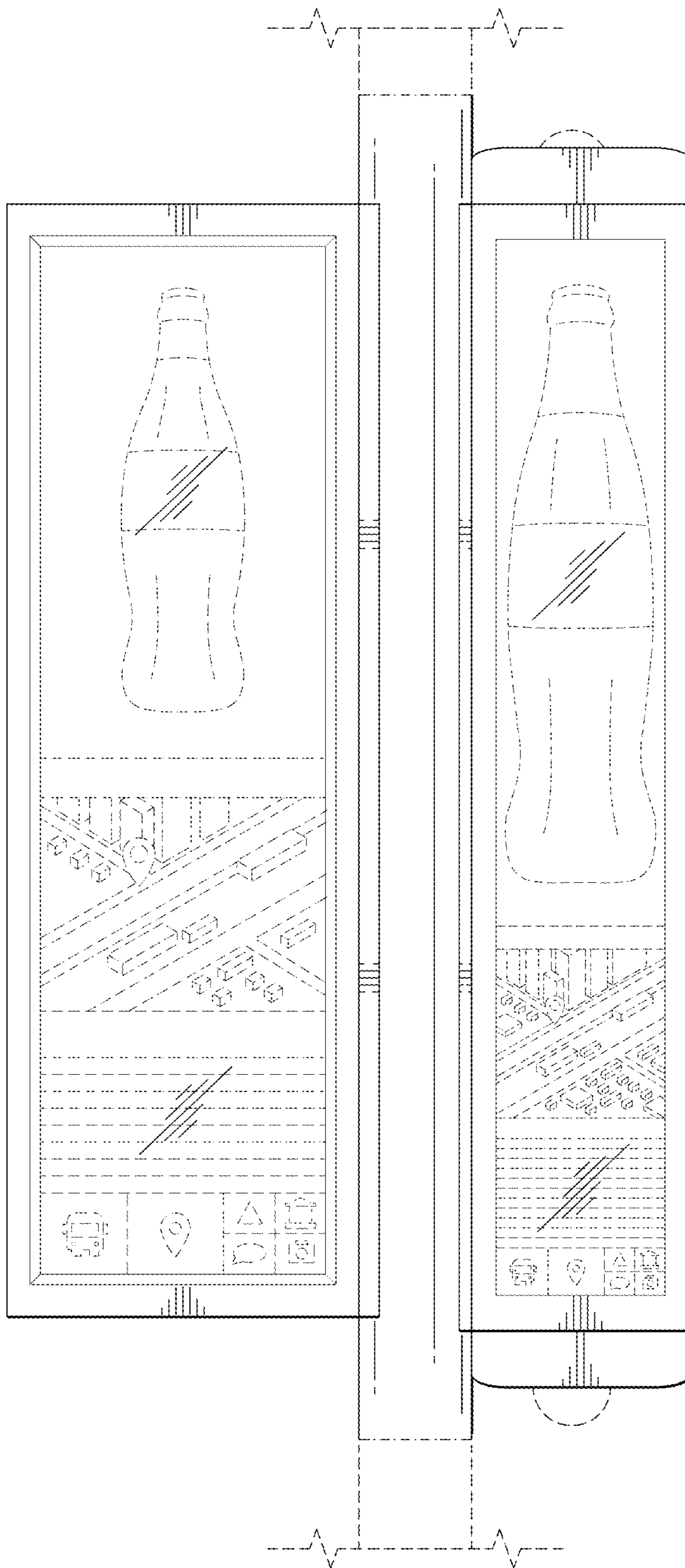


FIG. 2

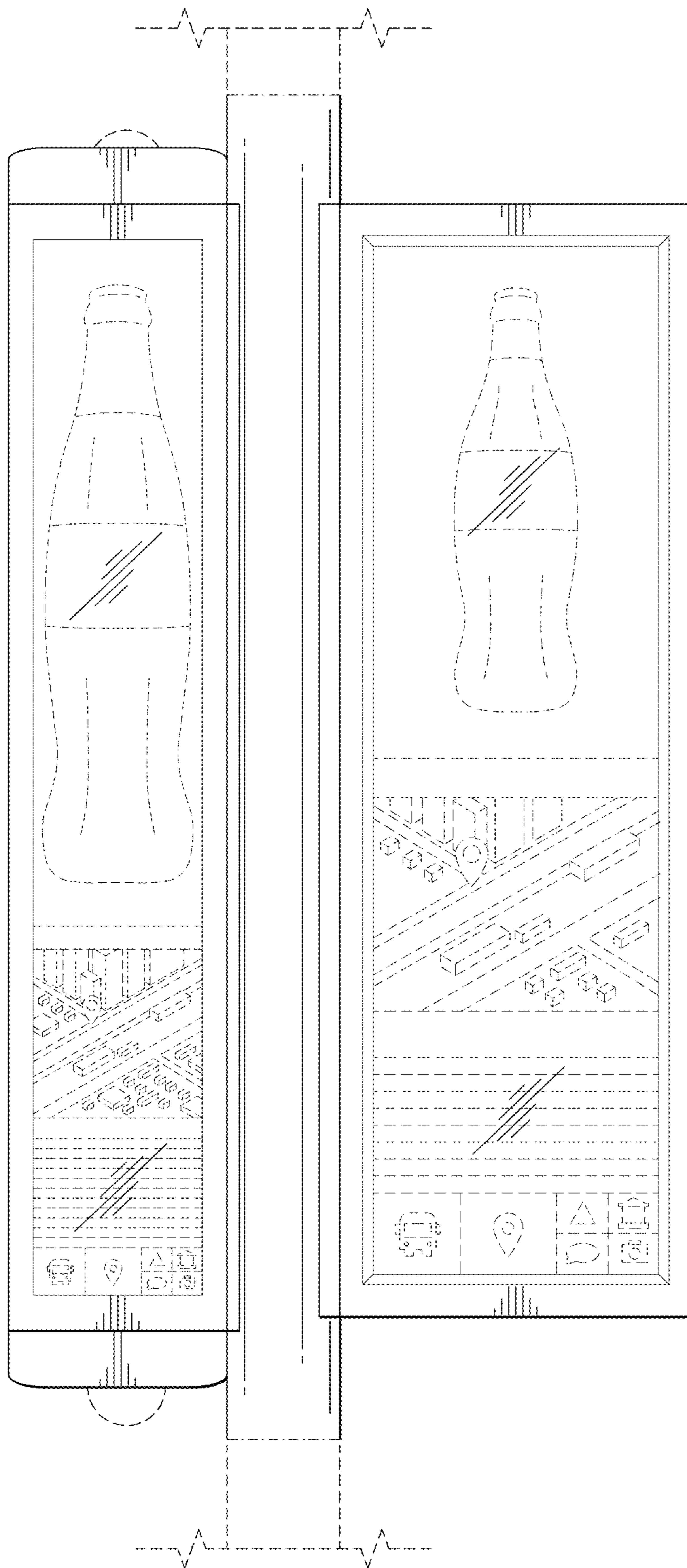


FIG. 3

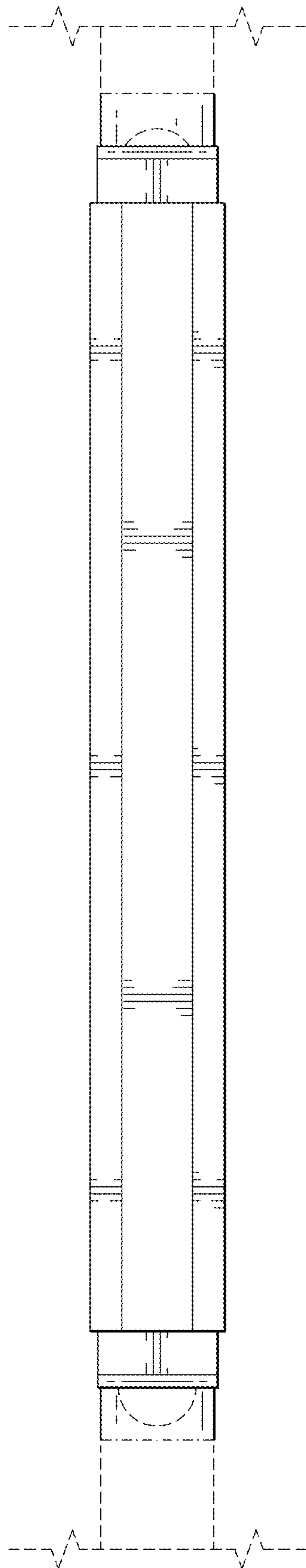


FIG. 4

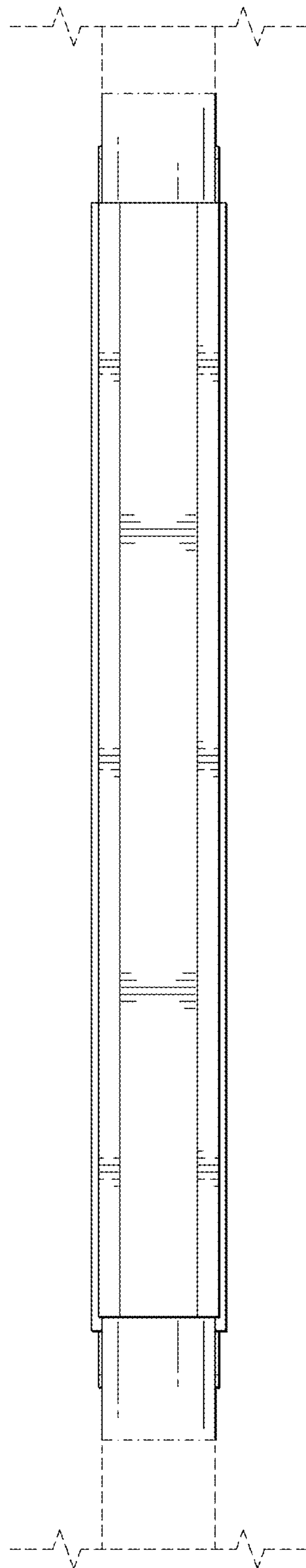


FIG. 5

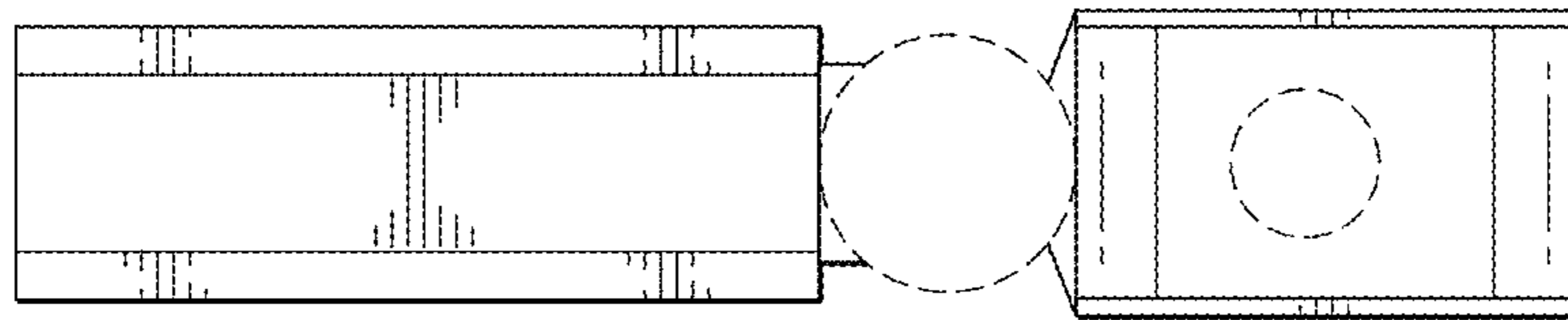


FIG. 6

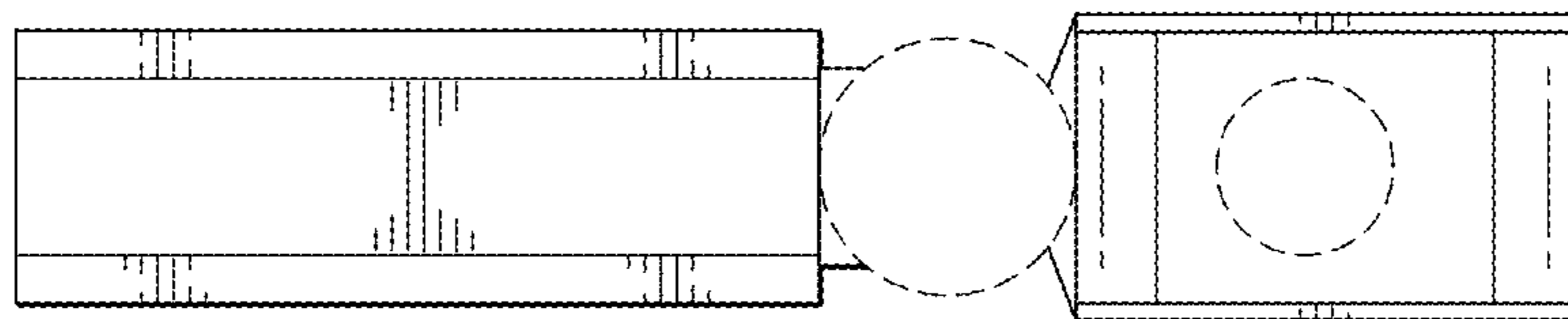


FIG. 7

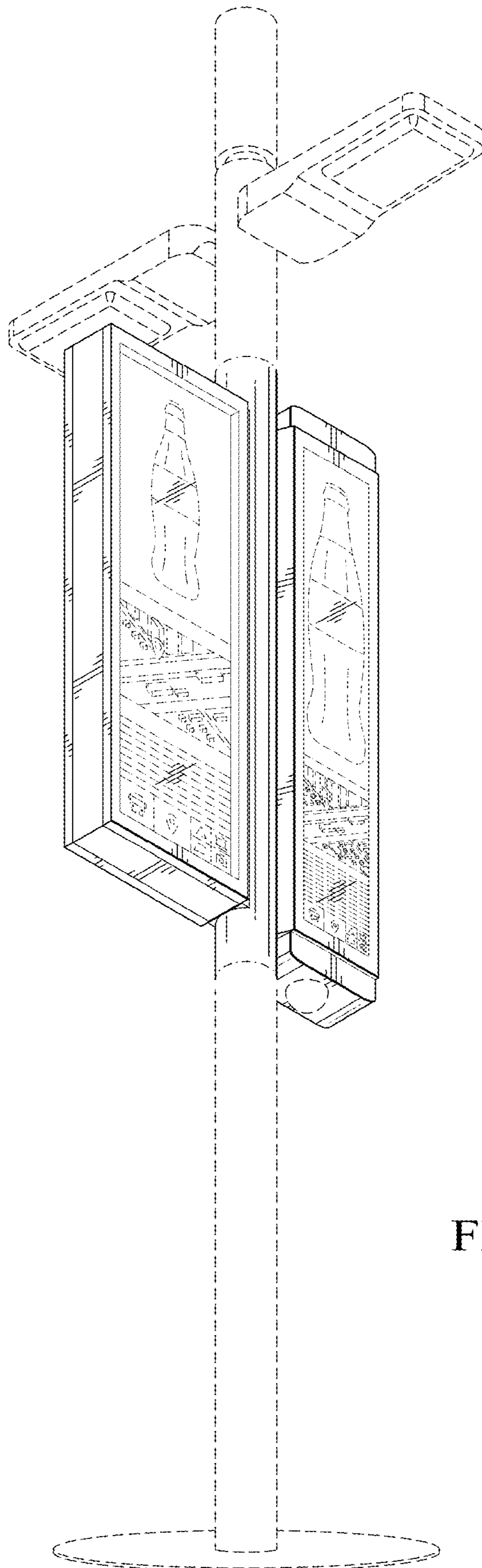


FIG. 8