



US00D916974S

(12) **United States Design Patent** (10) **Patent No.:** **US D916,974 S**  
**Dunn** (45) **Date of Patent:** **\*\* Apr. 20, 2021**

(54) **COMBINED ELECTRONIC DISPLAY ASSEMBLIES AND POLE**

(71) Applicant: **Manufacturing Resources International, Inc.**, Alpharetta, GA (US)

(72) Inventor: **William Dunn**, Alpharetta, GA (US)

(73) Assignee: **Manufacturing Resources International, Inc.**, Alpharetta, GA (US)

(\*\*) Term: **15 Years**

(21) Appl. No.: **29/708,588**

(22) Filed: **Oct. 8, 2019**

(51) **LOC (13) Cl.** ..... **20-02**

(52) **U.S. Cl.**  
USPC ..... **D20/41**

(58) **Field of Classification Search**  
USPC ..... D10/109.1, 109.2, 113.4; D11/181, 182, D11/183; D14/125, 126, 127, 128, 129; D18/26; D20/10, 12, 16, 17, 18, 19, 21, D20/31, 29, 30, 39, 40, 41, 42, 43, 44, 99  
CPC ..... G09F 1/00; G09F 1/08; G09F 5/00; G09F 5/02; G09F 7/00; G09F 19/00; G09F 23/00; G09F 27/00; G09F 21/00; G09F 21/06; G09F 21/08; Y10S 362/812; A47F 3/00; A47F 8/00; A47F 11/00  
See application file for complete search history.

(56) **References Cited**

**U.S. PATENT DOCUMENTS**

D453,194 S \* 1/2002 Gentelia ..... D20/41  
D479,859 S \* 9/2003 Strunk ..... D20/41  
D483,074 S \* 12/2003 Strunk ..... D20/41  
D486,188 S \* 2/2004 Norcross ..... D20/43  
D653,662 S \* 2/2012 Park ..... D14/358

D654,116 S \* 2/2012 McDougall ..... D20/41  
D752,529 S \* 3/2016 Loretan ..... D14/125  
D754,256 S \* 4/2016 Maman ..... D20/43  
D777,695 S \* 1/2017 Odryna ..... D14/125  
D807,840 S \* 1/2018 Lee ..... D14/125  
D816,624 S \* 5/2018 Odryna ..... D14/125  
D817,288 S \* 5/2018 Won ..... D14/125

(Continued)

**OTHER PUBLICATIONS**

Vertigo Digital Displays, Innovation on Display FlexVu Totem Brochure, 2014, 6 pages.

(Continued)

*Primary Examiner* — Mary Ann Calabrese

*Assistant Examiner* — Catherine Ho

(74) *Attorney, Agent, or Firm* — Standley Law Group LLP; Jeffrey S. Standley; Adam J. Smith

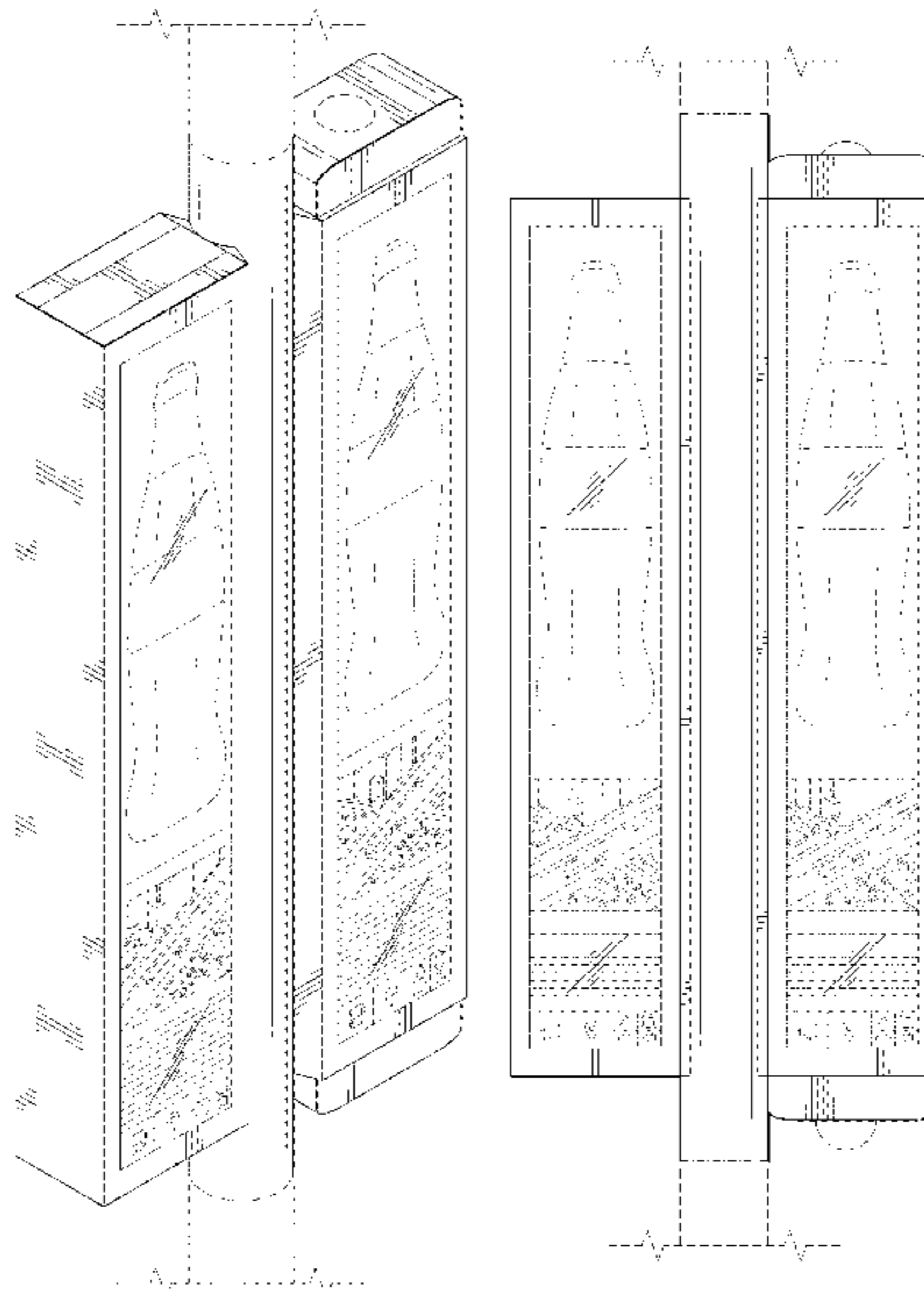
(57) **CLAIM**

I claim the ornamental design for a combined electronic display assemblies and pole, as shown and described.

**DESCRIPTION**

FIG. 1 is a front perspective view of the combined electronic display assemblies and pole, showing my new design; FIG. 2 is a front elevation view thereof; FIG. 3 is a rear elevation view thereof; FIG. 4 is a right side elevation view thereof; FIG. 5 is a left side elevation view thereof; FIG. 6 is a top view thereof; FIG. 7 is a bottom view thereof; and, FIG. 8 is a perspective view of the combined electronic display assemblies and pole shown in an environment of use. The evenly spaced broken line portions show environment that form no part of the claimed design. The dot-dashed broken lines define the boundary of the claimed design and form no part thereof.

**1 Claim, 6 Drawing Sheets**



(56)

**References Cited**

U.S. PATENT DOCUMENTS

D820,798 S \* 6/2018 Yurusov ..... D14/125  
D831,599 S \* 10/2018 Chong ..... D14/126  
D839,352 S \* 1/2019 Lim ..... D20/39  
10,278,311 B2 \* 4/2019 DeMars ..... H05K 7/20972  
D861,623 S \* 10/2019 Odryna ..... D14/125  
D879,202 S \* 3/2020 Hornsby ..... D20/10  
D885,382 S \* 5/2020 Kim ..... D14/371  
10,757,844 B2 \* 8/2020 Dunn ..... G02F 1/133603  
10,820,445 B2 \* 10/2020 Diaz ..... H05K 7/20145  
10,831,050 B2 \* 11/2020 Dunn ..... G02F 1/133385

OTHER PUBLICATIONS

Vertigo Digital Displays, FlexVu Totem Shelter, 2017, 2 pages.  
Vertigo Digital Displays, All Products Catalogue, 2017, 14 pages.  
CIVIQ Smartscapes, FlexVue Ferro 55P/55L, Mar. 16, 2017, 4 pages.  
CIVIQ Smartscapes, There are companies that make kiosks. And then there's CIVIQ.—Advanced Smart City Platform, webpage, Jan. 30, 2019, 10 pages.  
CIVIQ Smartscapes, Connecting people, places & experiences, webpage, Jan. 30, 2019, 5 pages.  
CIVIQ Smartscapes, Connecting people, places & experiences, screen shot of devices webpage, Jan. 30, 2019, 1 page.  
Manufacturing Resources International, Inc., mri-inc.net, homepage webpage, Oct. 11, 2019, 5 pages.

\* cited by examiner

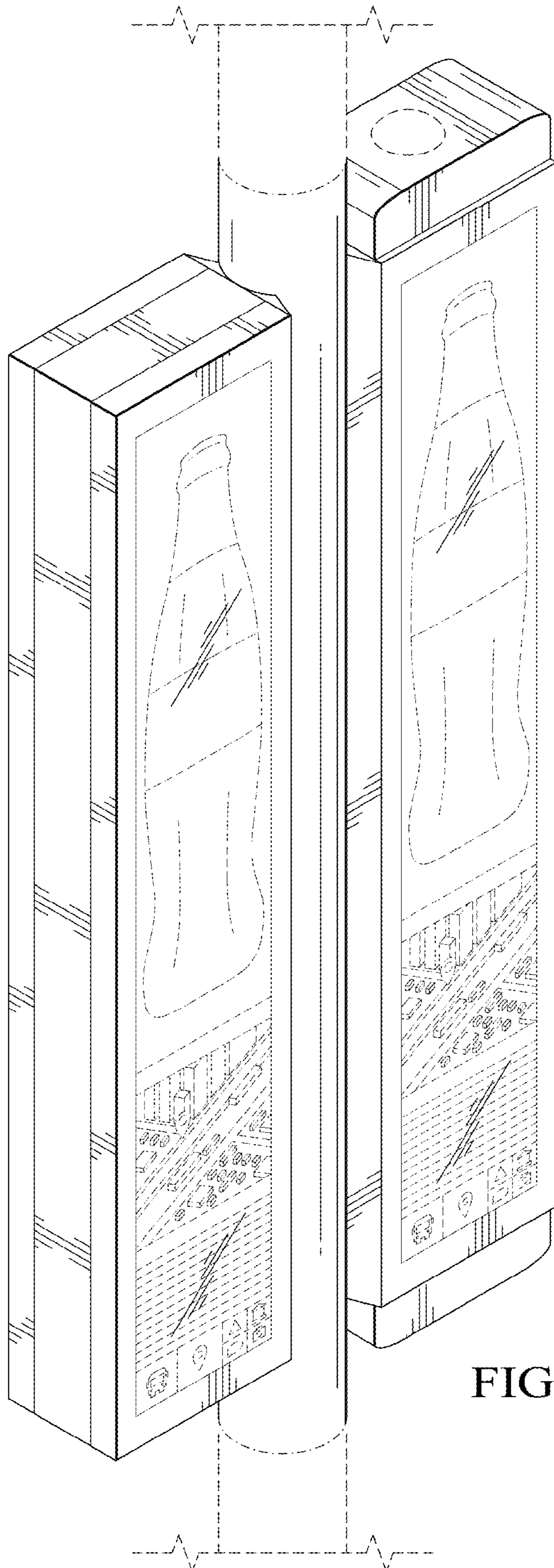


FIG. 1

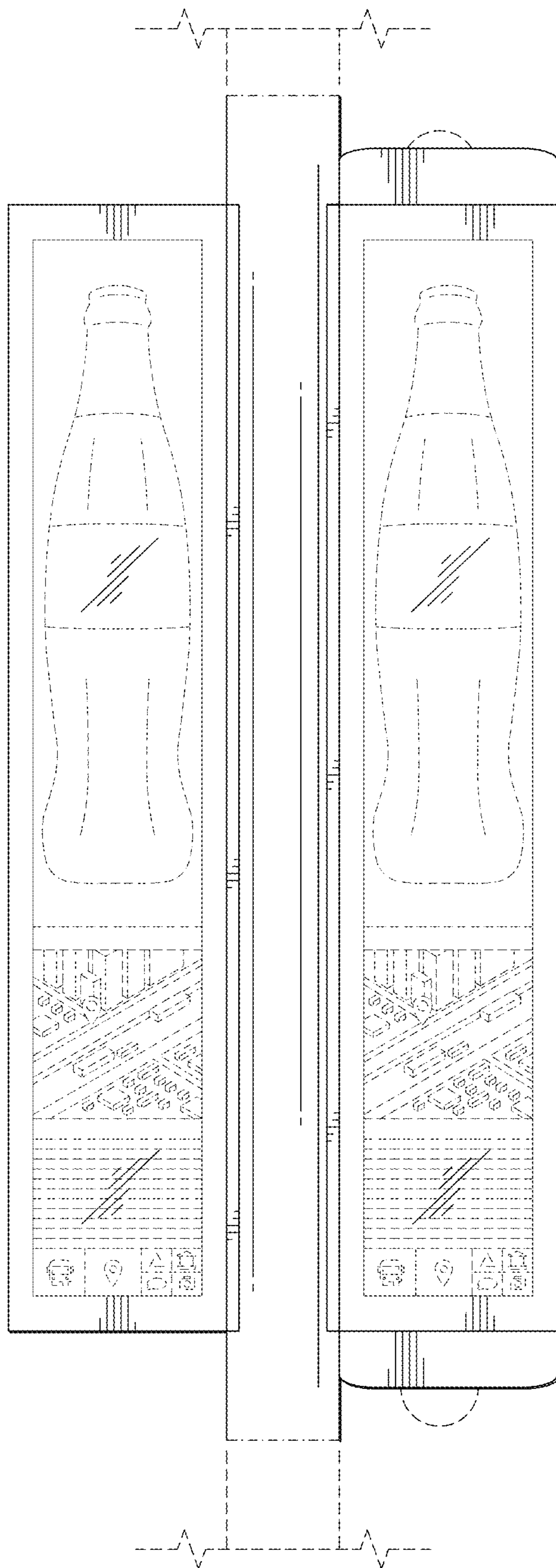


FIG. 2

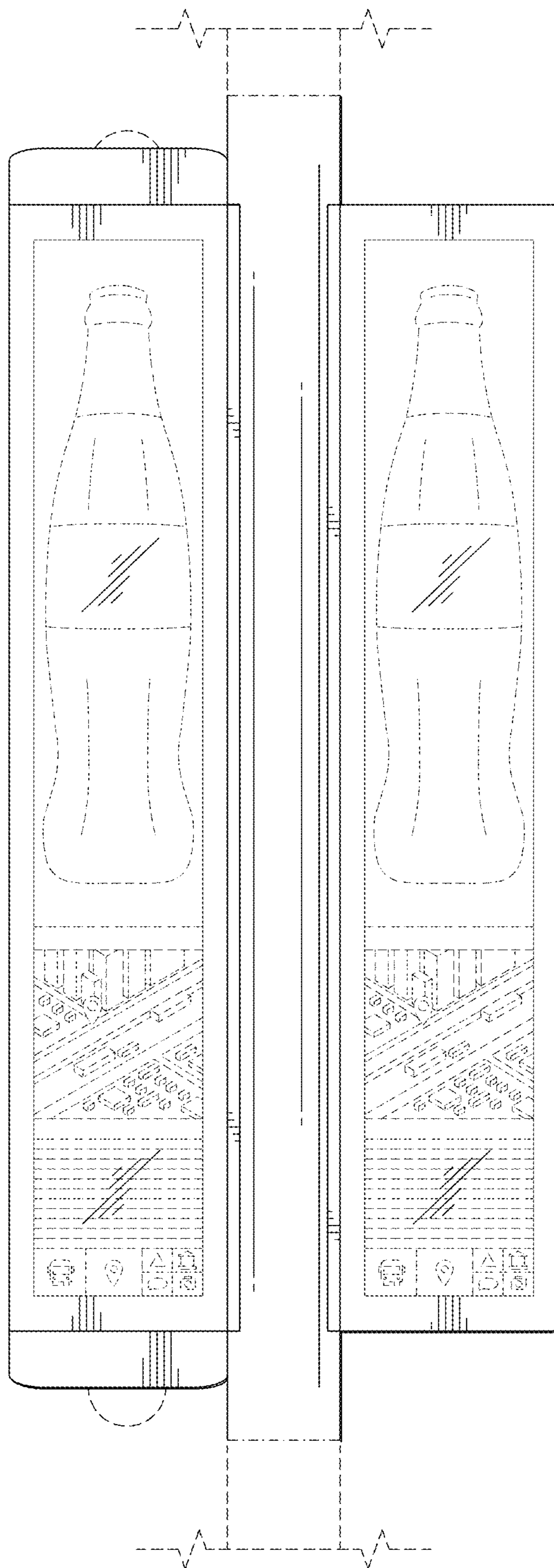


FIG. 3

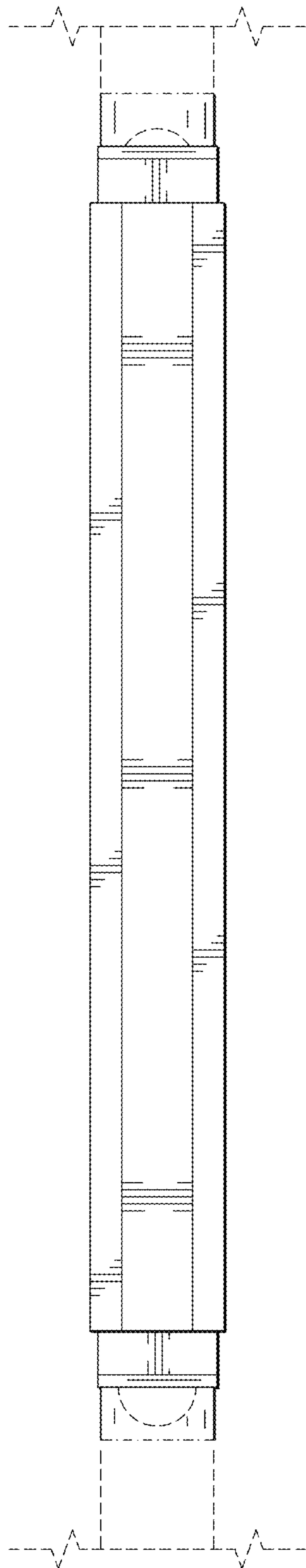


FIG. 4

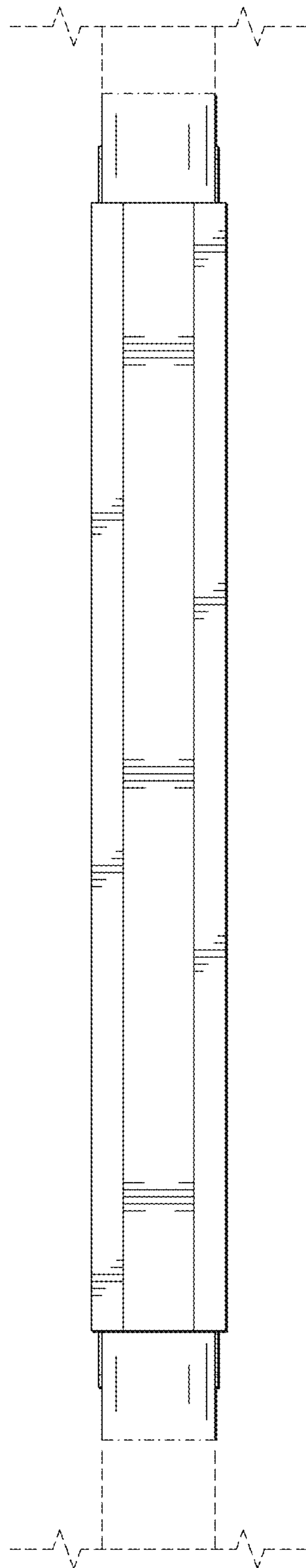


FIG. 5

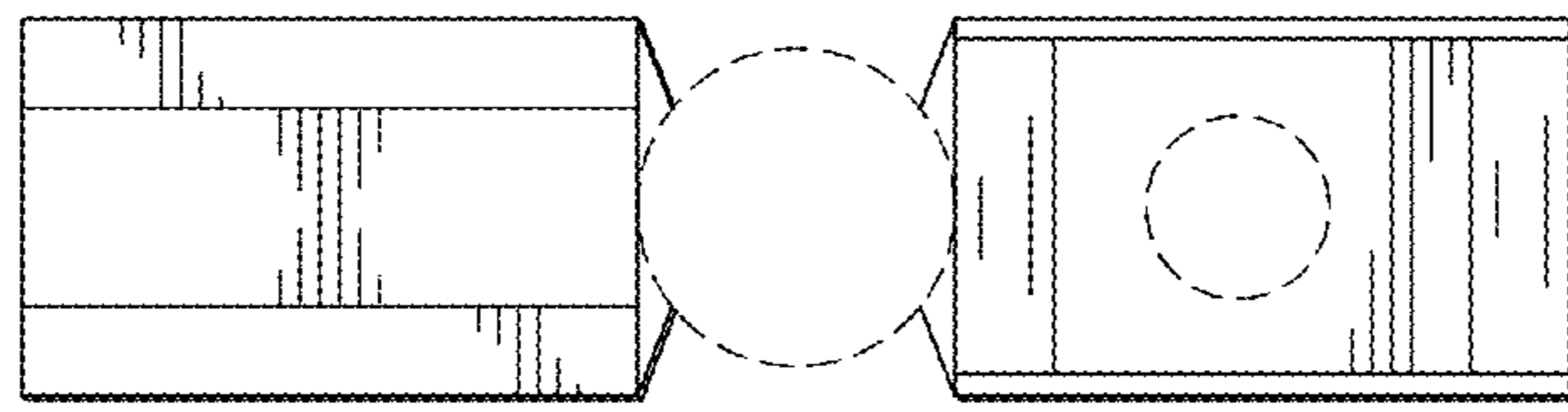


FIG. 6

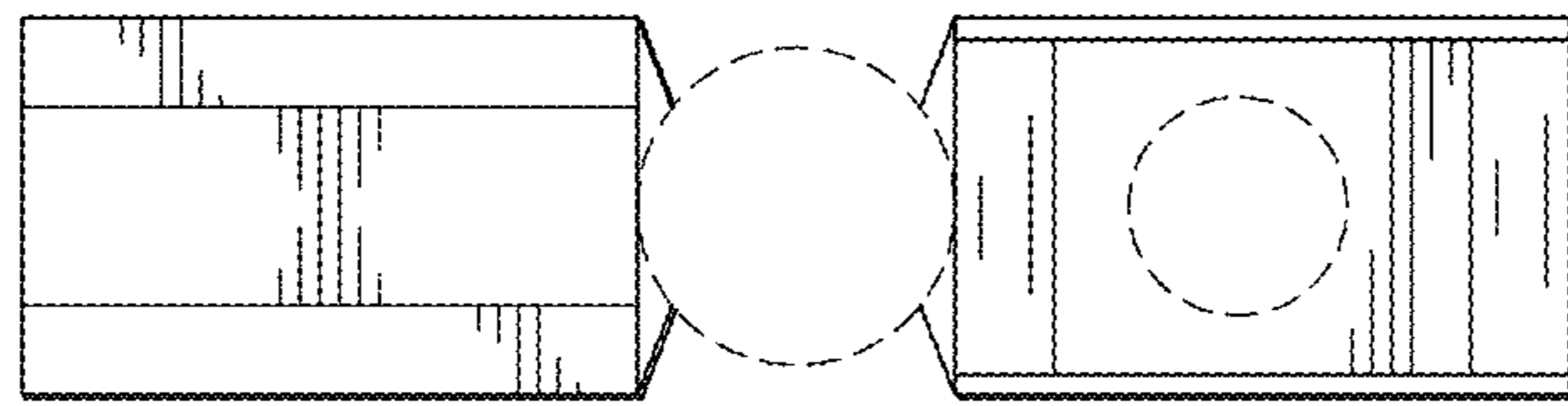


FIG. 7

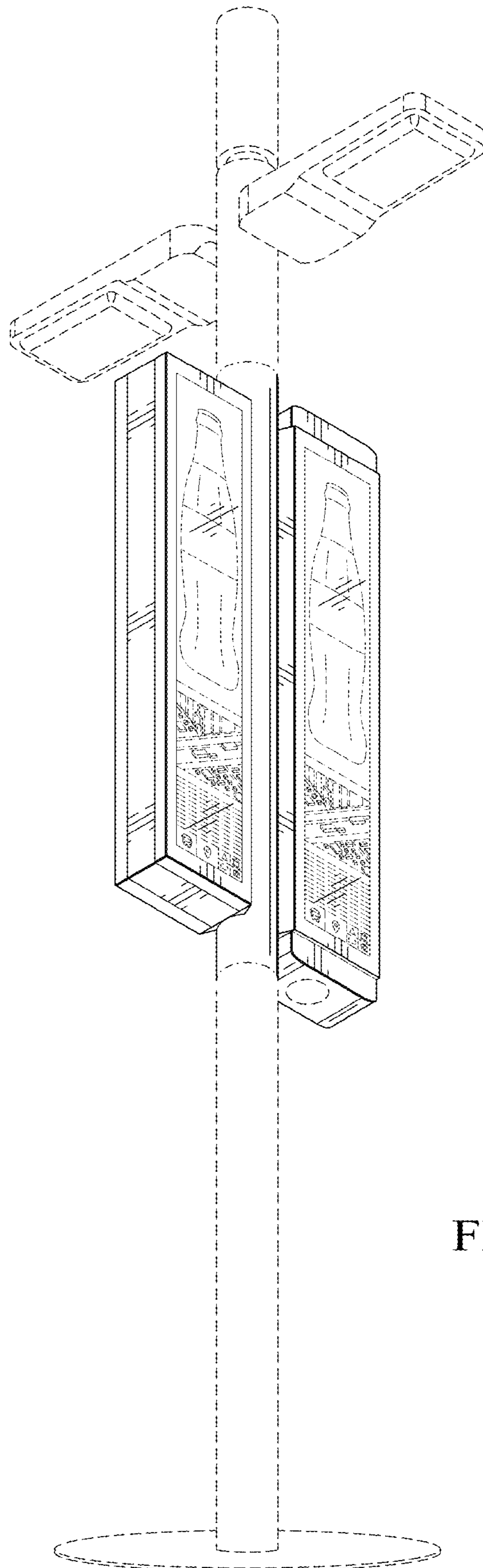


FIG. 8



UNITED STATES PATENT AND TRADEMARK OFFICE  
**CERTIFICATE OF CORRECTION**

PATENT NO. : D916,974 S  
APPLICATION NO. : 29/708588  
DATED : April 20, 2021  
INVENTOR(S) : William Dunn

Page 1 of 1

It is certified that error appears in the above-identified patent and that said Letters Patent is hereby corrected as shown below:

In the Claim:

Please delete "a" before combined electronic display assemblies and pole, as shown and described.

Signed and Sealed this  
First Day of June, 2021



Drew Hirshfeld  
*Performing the Functions and Duties of the  
Under Secretary of Commerce for Intellectual Property and  
Director of the United States Patent and Trademark Office*