



US00D916972S

(12) **United States Design Patent** (10) **Patent No.:** **US D916,972 S**
Dunn (45) **Date of Patent:** **** Apr. 20, 2021**

(54) **COMBINED ELECTRONIC DISPLAY ASSEMBLY AND POLE**

(71) Applicant: **Manufacturing Resources International, Inc.**, Alpharetta, GA (US)

(72) Inventor: **William Dunn**, Alpharetta, GA (US)

(73) Assignee: **Manufacturing Resources International, Inc.**, Alpharetta, GA (US)

(**) Term: **15 Years**

(21) Appl. No.: **29/708,581**

(22) Filed: **Oct. 8, 2019**

(51) **LOC (13) Cl.** **20-02**

(52) **U.S. Cl.**
USPC **D20/41**

(58) **Field of Classification Search**
USPC D10/109.1, 109.2, 113.4; D11/181, 182, D11/183; D14/125, 126, 127, 128, 129; D18/26; D20/10, 12, 16, 17, 18, 19, 21, D20/31, 29, 30, 39, 40, 41, 42, 43, 44, 99
CPC G09F 1/00; G09F 1/08; G09F 5/00; G09F 5/02; G09F 7/00; G09F 19/00; G09F 23/00; G09F 27/00; G09F 21/00; G09F 21/06; G09F 21/08; Y10S 362/812; A47F 3/00; A47F 8/00; A47F 11/00
See application file for complete search history.

(56) **References Cited**

U.S. PATENT DOCUMENTS

D453,194 S * 1/2002 Gentelia D20/41
D479,859 S * 9/2003 Strunk D20/41
D483,074 S * 12/2003 Strunk D20/41
D486,188 S * 2/2004 Norcross D20/43
D653,662 S * 2/2012 Park D14/358

D654,116 S * 2/2012 McDougall D20/41
D752,529 S * 3/2016 Loretan D14/125
D754,256 S * 4/2016 Maman D20/43
D777,695 S * 1/2017 Odryna D14/125
D807,840 S * 1/2018 Lee D14/125
D816,624 S * 5/2018 Odryna D14/125
(Continued)

OTHER PUBLICATIONS

CIVIQ Smartscares, There are companies that make kiosks. And then there's CIVIQ.—Advanced Smart City Platform, webpage, Jan. 30, 2019, 10 pages.

(Continued)

Primary Examiner — Mary Ann Calabrese
Assistant Examiner — Catherine Ho

(74) *Attorney, Agent, or Firm* — Standley Law Group LLP; Jeffrey S. Standley; Adam J. Smith

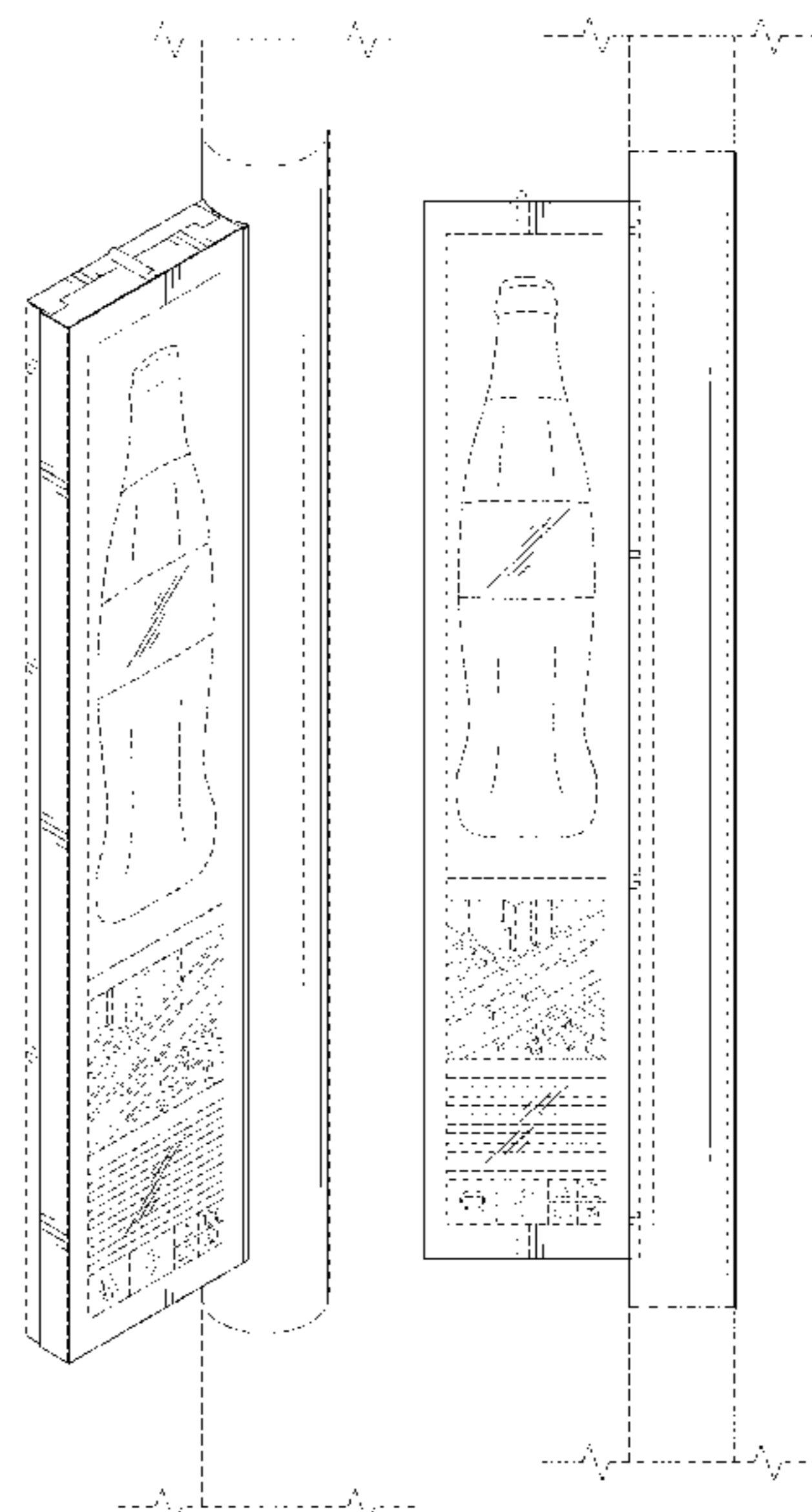
(57) **CLAIM**

I claim the ornamental design for a combined electronic display assembly and pole, as shown and described.

DESCRIPTION

FIG. 1 is a front perspective view of the combined electronic display assembly and pole, showing my new design;
FIG. 2 is a front elevation view thereof;
FIG. 3 is a rear elevation view thereof;
FIG. 4 is a right side elevation view thereof;
FIG. 5 is a left side elevation view thereof;
FIG. 6 is a top view thereof;
FIG. 7 is a bottom view thereof; and,
FIG. 8 is a perspective view of the combined electronic display assembly and pole shown in an environment of use. The evenly spaced broken line portions show environment that form no part of the claimed design. The dot-dashed broken lines define the boundary of the claimed design and form no part thereof.

1 Claim, 5 Drawing Sheets



(56)

References Cited

U.S. PATENT DOCUMENTS

D817,288	S *	5/2018	Won	D14/125
D820,798	S *	6/2018	Yurusov	D14/125
D831,599	S *	10/2018	Chong	D14/126
D839,352	S *	1/2019	Lim	D20/39
10,278,311	B2 *	4/2019	DeMars	H05K 7/20972
D861,623	S *	10/2019	Odryna	D14/125
D879,202	S *	3/2020	Hornsby	D20/10
D885,382	S *	5/2020	Kim	D14/371
10,757,844	B2 *	8/2020	Dunn	G02F 1/133603
10,820,445	B2 *	10/2020	Diaz	H05K 7/20145
10,831,050	B2 *	11/2020	Dunn	G02F 1/133385

OTHER PUBLICATIONS

CIVIQ Smartscapes, Connecting people, places & experiences, webpage, Jan. 30, 2019, 5 pages.

CIVIQ Smartscapes, Connecting people, places & experiences, screen shot of devices webpage, Jan. 30, 2019, 1 page.

Manufacturing Resources International, Inc., mri-inc.net, homepage webpage, Oct. 11, 2019, 5 pages.

Vertigo Digital Displays, Innovation on Display FlexVu Totem Brochure, 2014, 6 pages.

Vertigo Digital Displays, FlexVu Totem Shelter, 2017, 2 pages.

Vertigo Digital Displays, All Products Catalogue, 2017, 14 pages.

CIVIQ Smartscapes, FlexVue Ferro 55P/55L, Mar. 16, 2017, 4 pages.

* cited by examiner

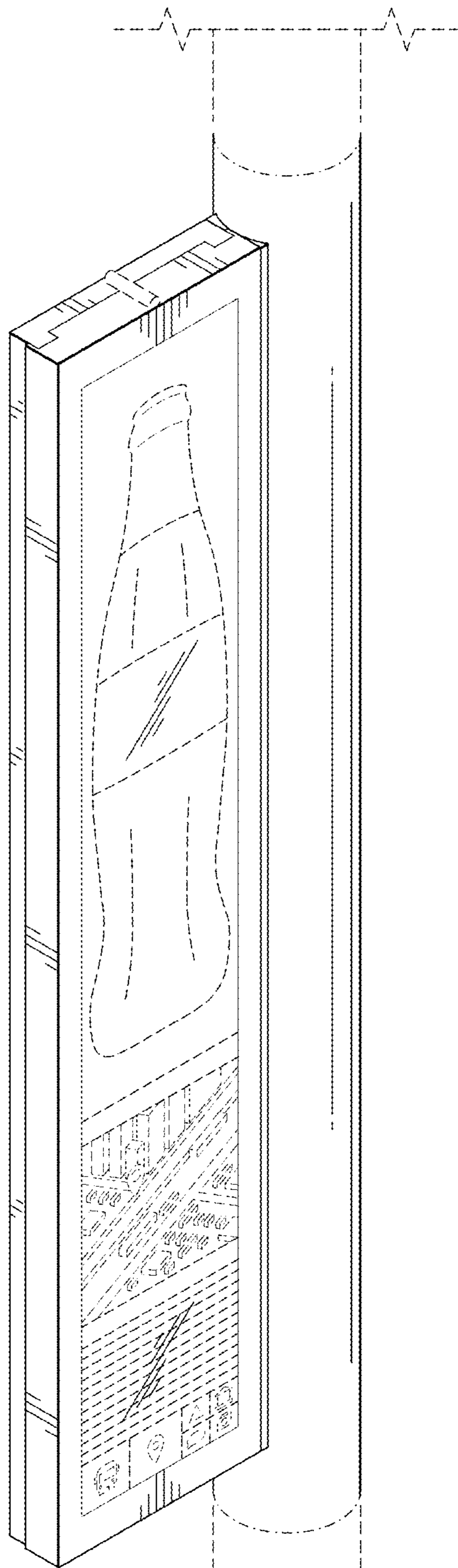


FIG. 1

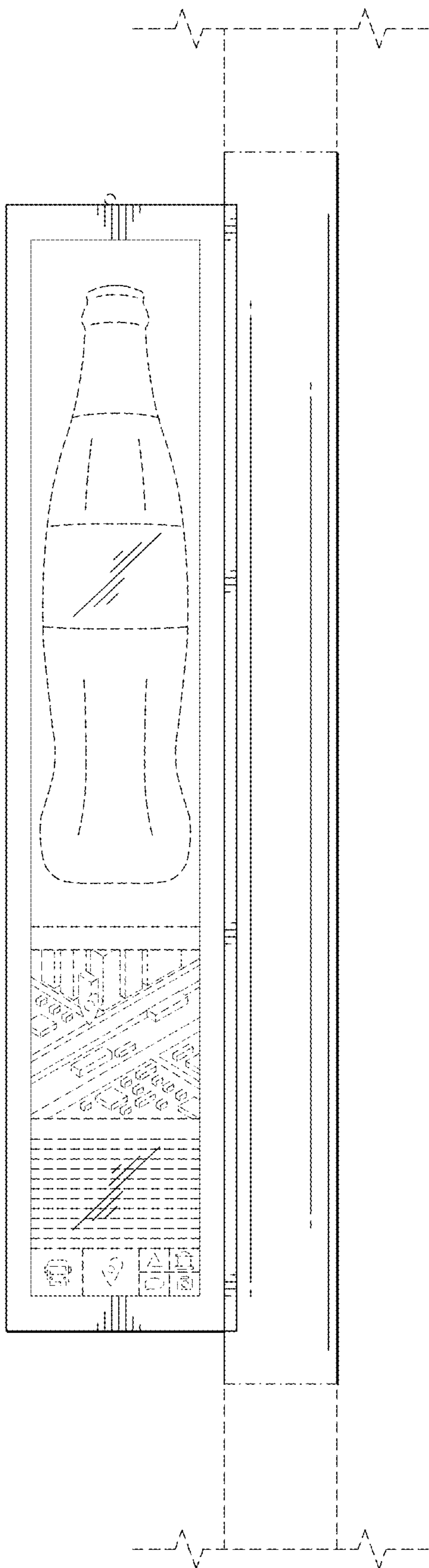


FIG. 2

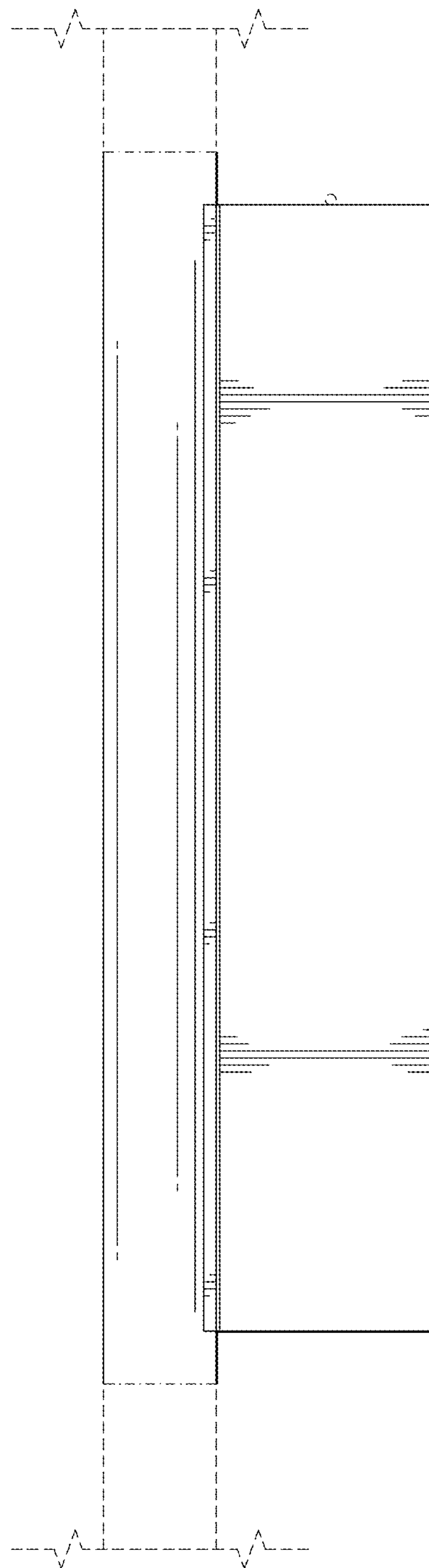


FIG. 3

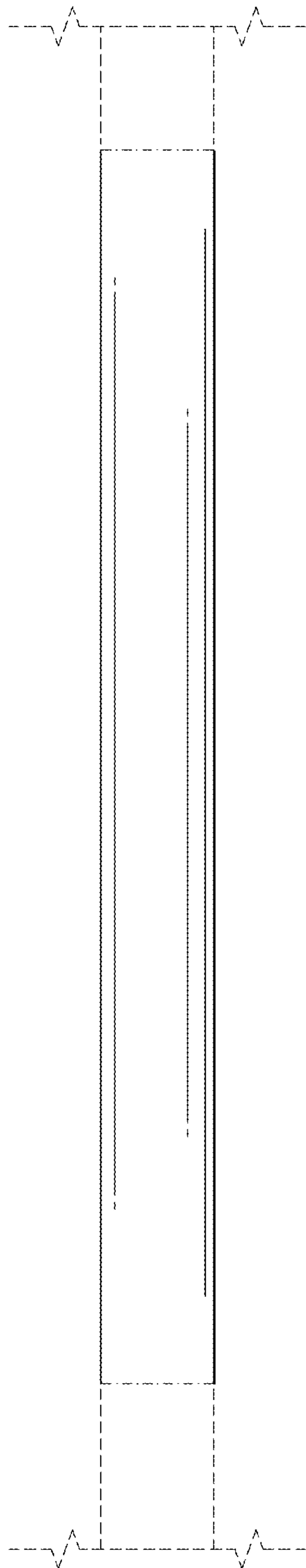


FIG. 4

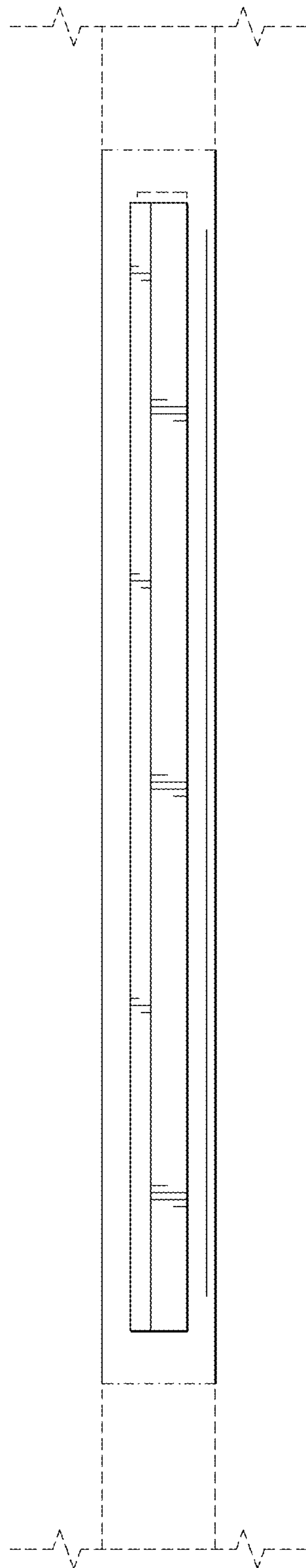


FIG. 5

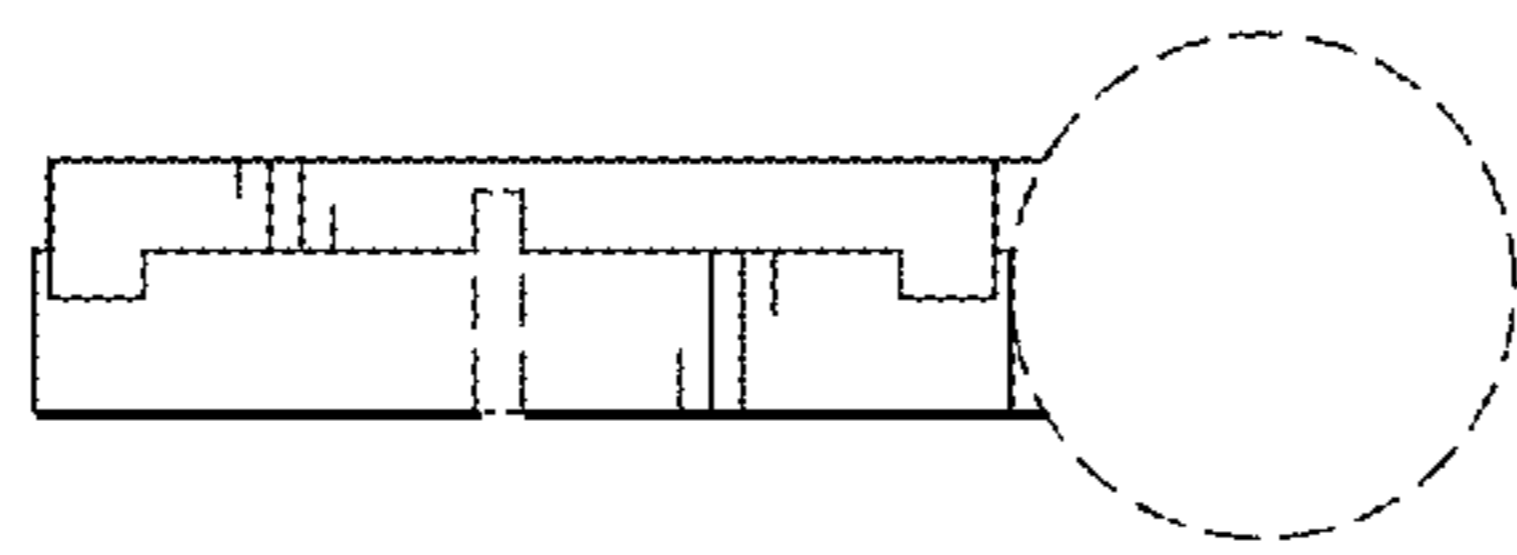


FIG. 6

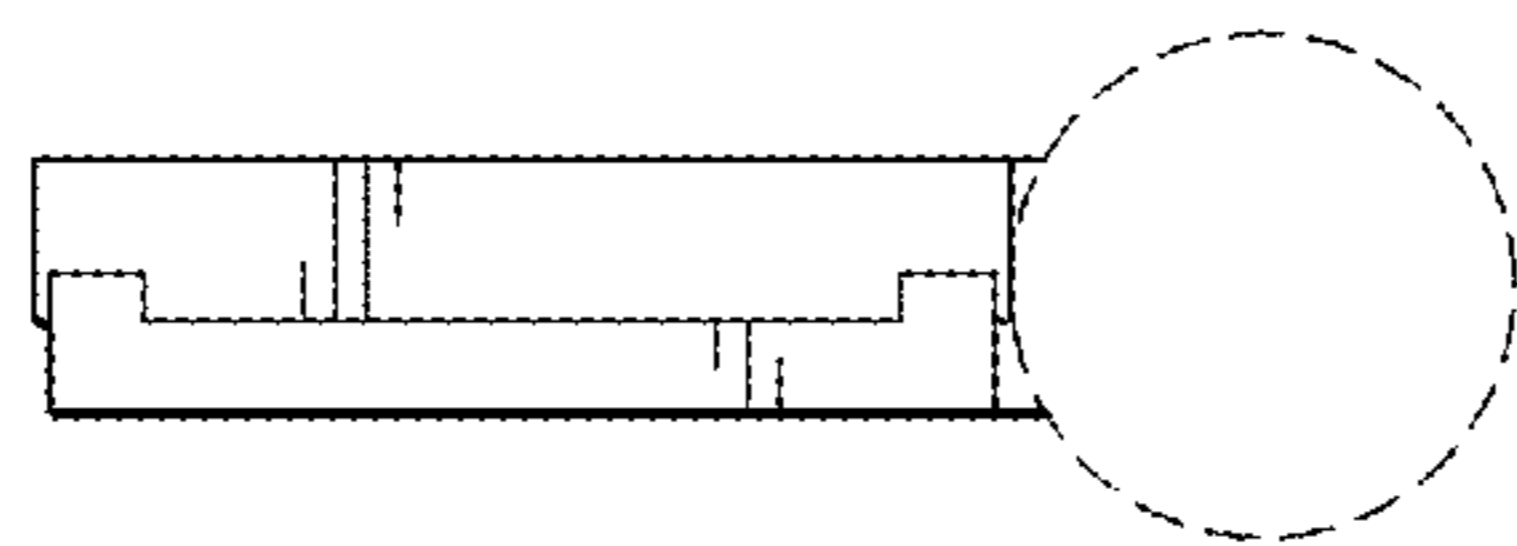


FIG. 7

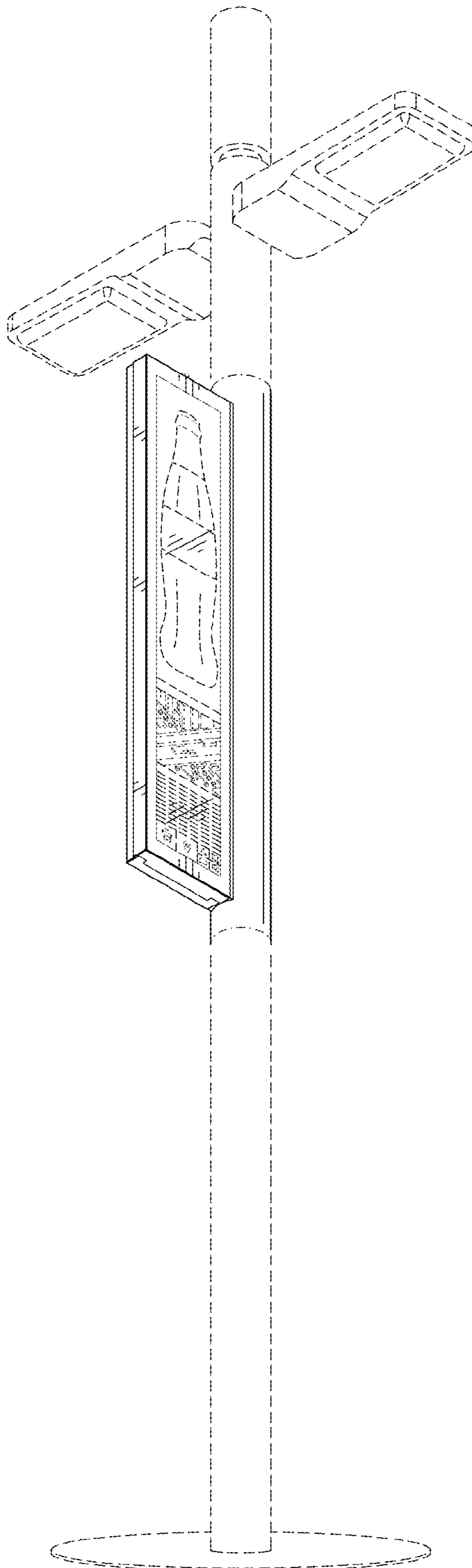


FIG. 8