



US00D916970S

(12) **United States Design Patent**  
**VanOeveren**

(10) **Patent No.:** **US D916,970 S**

(45) **Date of Patent:** **\*\* Apr. 20, 2021**

(54) **NEON SIGN WITH CLOCK**

(71) Applicant: **Ronald P. VanOeveren**, Gretna, NE  
(US)

(72) Inventor: **Ronald P. VanOeveren**, Gretna, NE  
(US)

(\*\*) Term: **15 Years**

(21) Appl. No.: **29/668,376**

(22) Filed: **Oct. 30, 2018**

(51) **LOC (13) Cl.** ..... **20-03**

(52) **U.S. Cl.**

USPC ..... **D20/20; D10/2**

(58) **Field of Classification Search**

USPC ..... D10/1, 2, 21, 28, 109.1, 109.2, 113.4;  
D11/40, 46, 48, 49, 51, 52, 61, 116, 133,  
D11/165, 166, 181, 182, 229; D20/10,  
D20/11, 12, 15, 16, 17, 19, 20, 23, 37,  
D20/40, 41, 42, 99

CPC ... G09F 7/00; G09F 7/002; G09F 7/02; G09F  
7/04; G09F 7/06; G09F 7/08; G09F 7/12;  
G09F 7/14; G09F 7/16; G09F 2007/1843;  
G09F 2007/1873; G09F 9/30; G09F  
13/00; G09F 13/16

See application file for complete search history.

(56) **References Cited**

**U.S. PATENT DOCUMENTS**

D94,354 S *	1/1935	Klotz .....	D20/17
D118,145 S *	12/1939	Shapiro .....	D20/20
D182,682 S *	4/1958	Nelson .....	D20/20
D489,410 S *	5/2004	Ivey .....	D19/65
D571,410 S *	6/2008	Breece .....	D20/15
D575,349 S *	8/2008	Breece .....	D20/15
D599,857 S *	9/2009	Weinstein .....	D10/15

D607,944 S *	1/2010	Merner .....	D20/99
D619,176 S *	7/2010	VanOeveren	
D626,016 S *	10/2010	Lin .....	D10/22
D875,591 S *	2/2020	Summers .....	D10/126
D878,216 S *	3/2020	Janus .....	D10/2
2008/0060236 A1*	3/2008	Chiang .....	G09F 13/04 40/563

\* cited by examiner

*Primary Examiner* — Mary Ann Calabrese

*Assistant Examiner* — Catherine Ho

(74) *Attorney, Agent, or Firm* — Suiter Swantz pc llo

(57) **CLAIM**

I claim the ornamental design for a neon sign with clock, as shown and described.

**DESCRIPTION**

FIG. 1 is a perspective view of the neon sign with clock in a horizontal orientation, showing my new design;

FIG. 2 is a top view thereof;

FIG. 3 is left side view thereof;

FIG. 4 is a front view thereof;

FIG. 5 is a rear view thereof;

FIG. 6 is a right side view thereof;

FIG. 7 is a bottom view thereof;

FIG. 8 is a perspective view of an alternate embodiment of the neon sign with clock in a vertical orientation;

FIG. 9 is a top view thereof;

FIG. 10 is a front view thereof;

FIG. 11 is a right side view thereof;

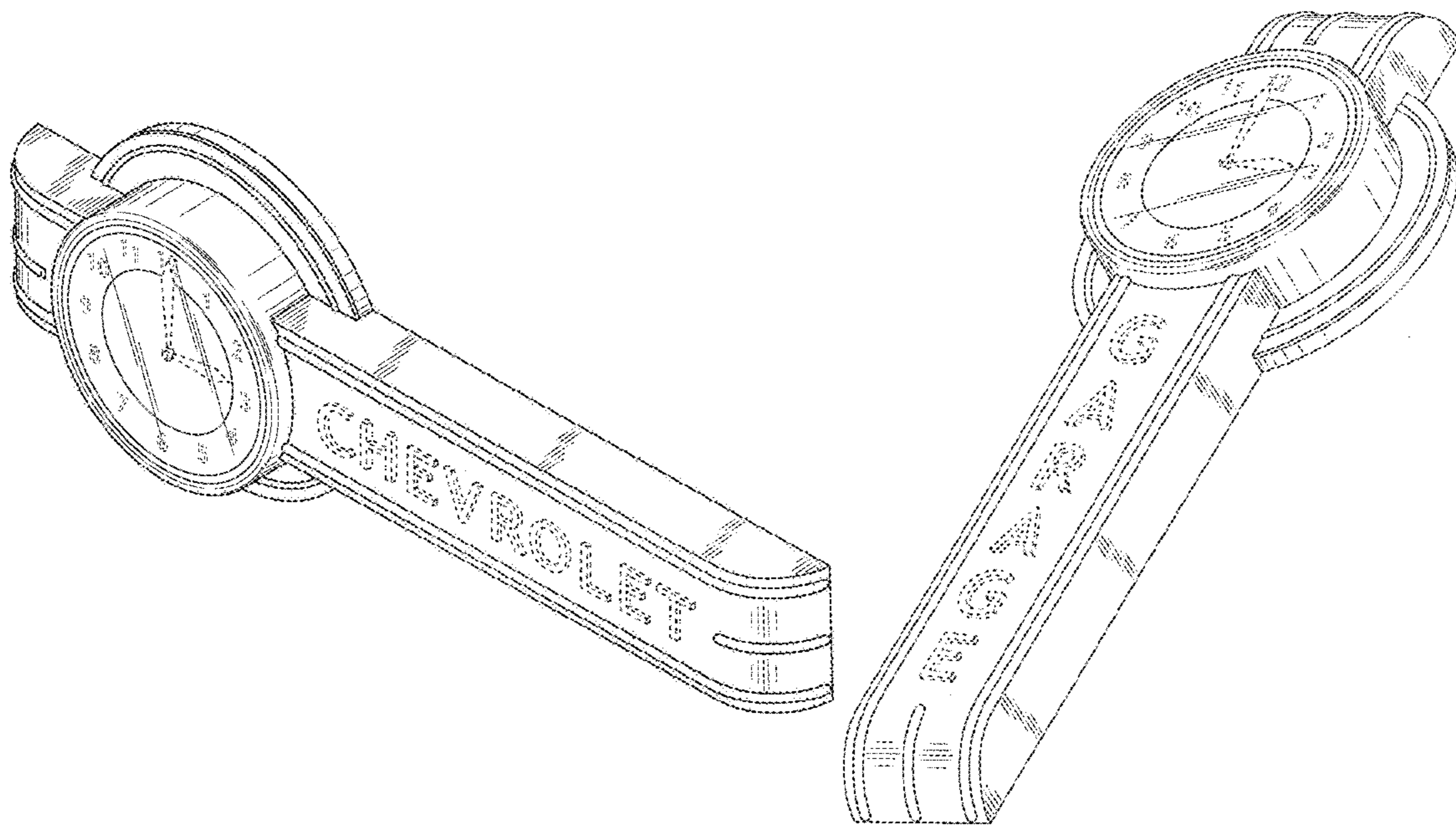
FIG. 12 is a bottom view thereof;

FIG. 13 is a rear view thereof; and,

FIG. 14 is a left side view thereof.

The broken line portions of the figure drawings are included to show portions of the article that form no part of the claimed design.

**1 Claim, 6 Drawing Sheets**



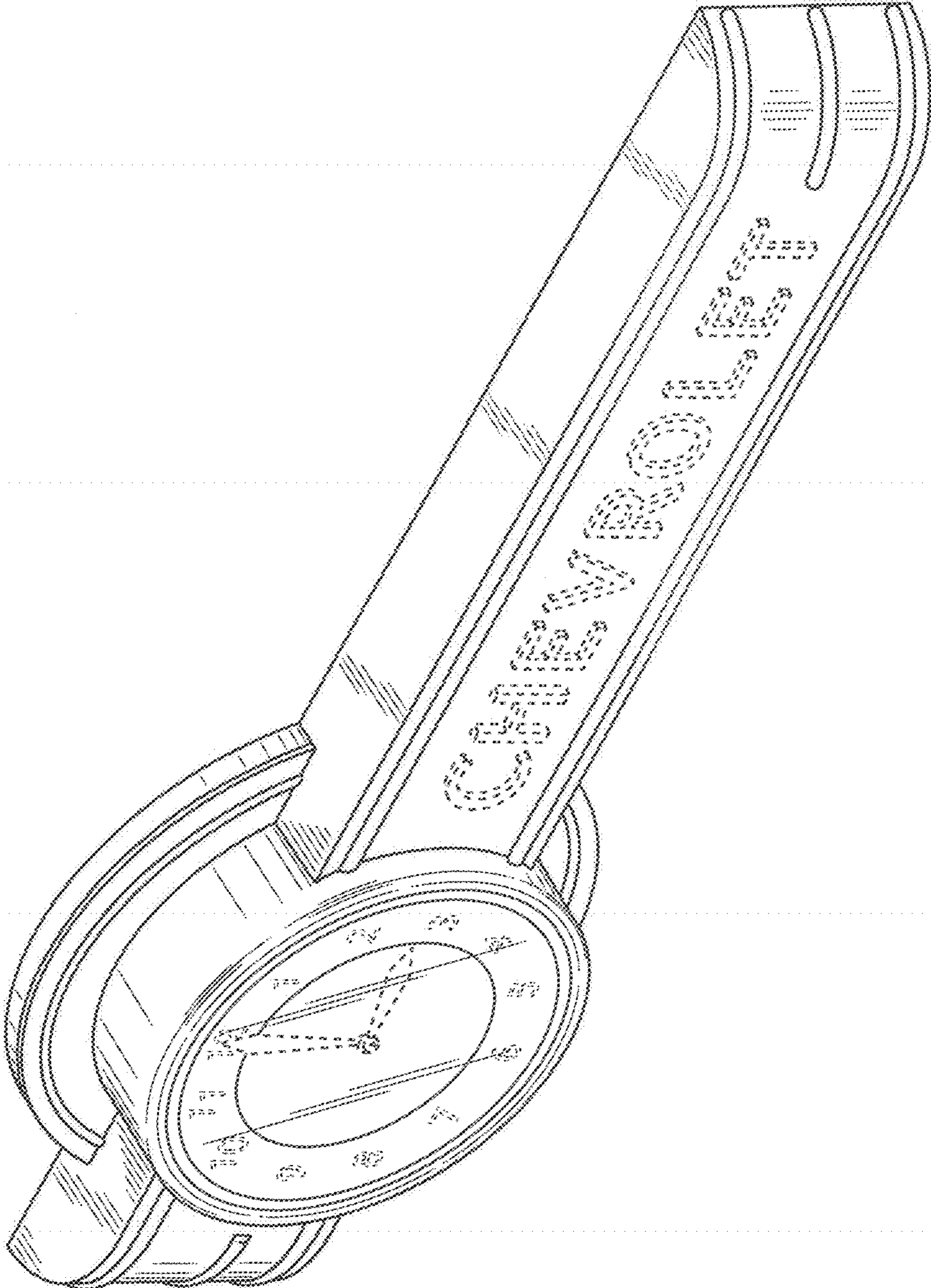


FIG. 1

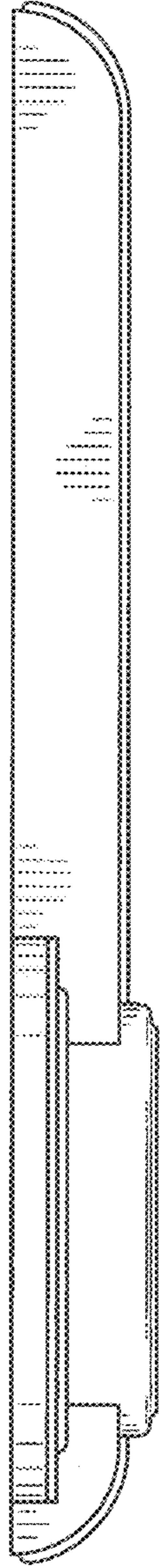


FIG. 2

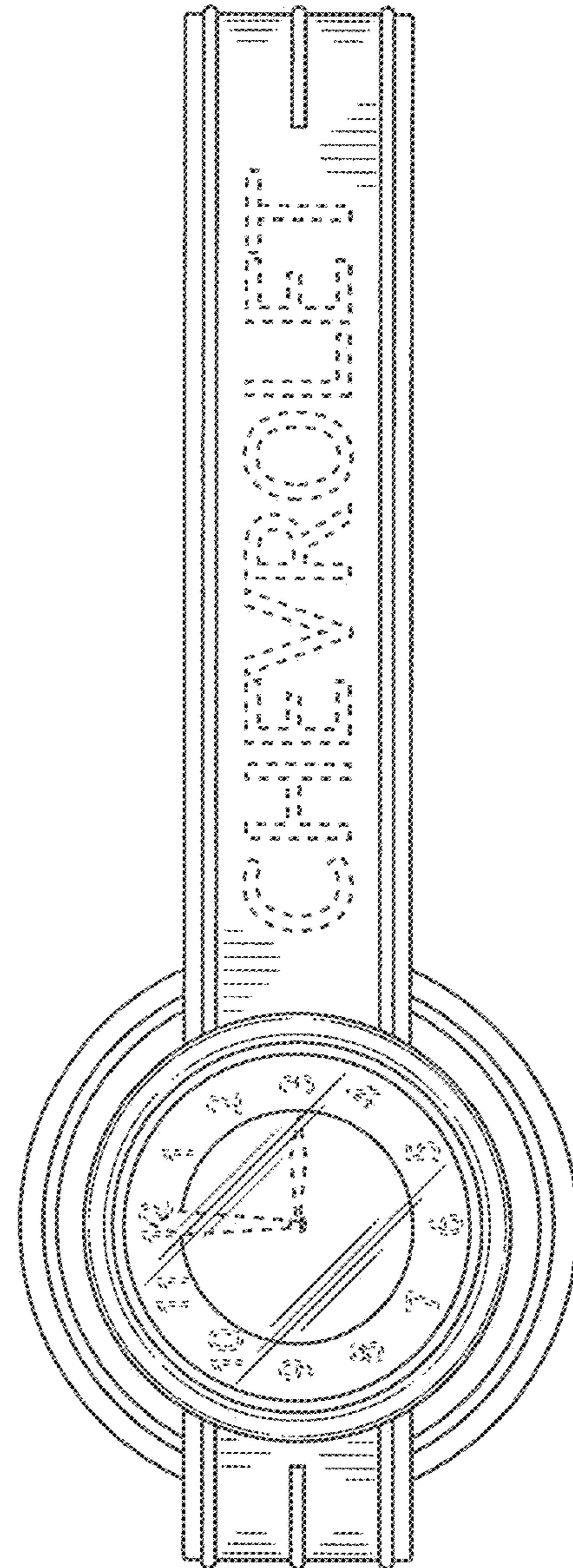


FIG. 4

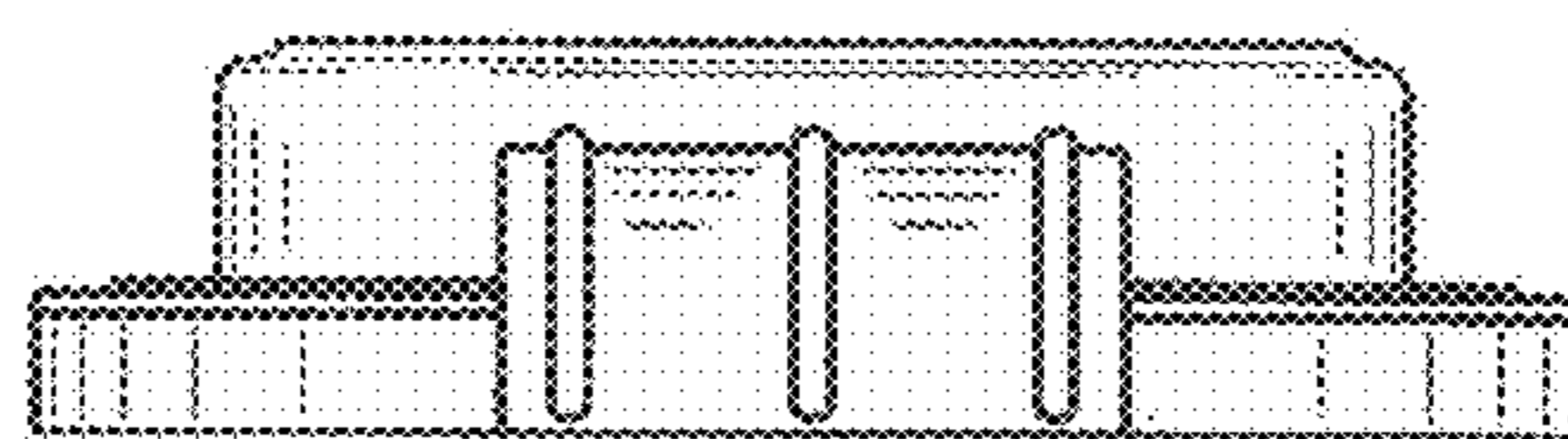


FIG. 3

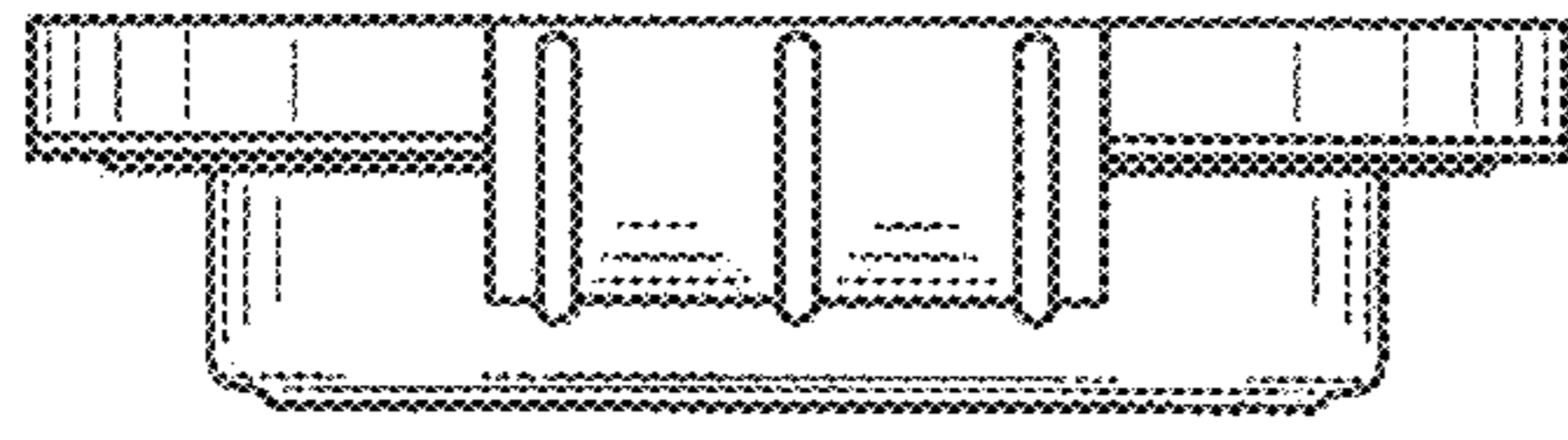


FIG. 6

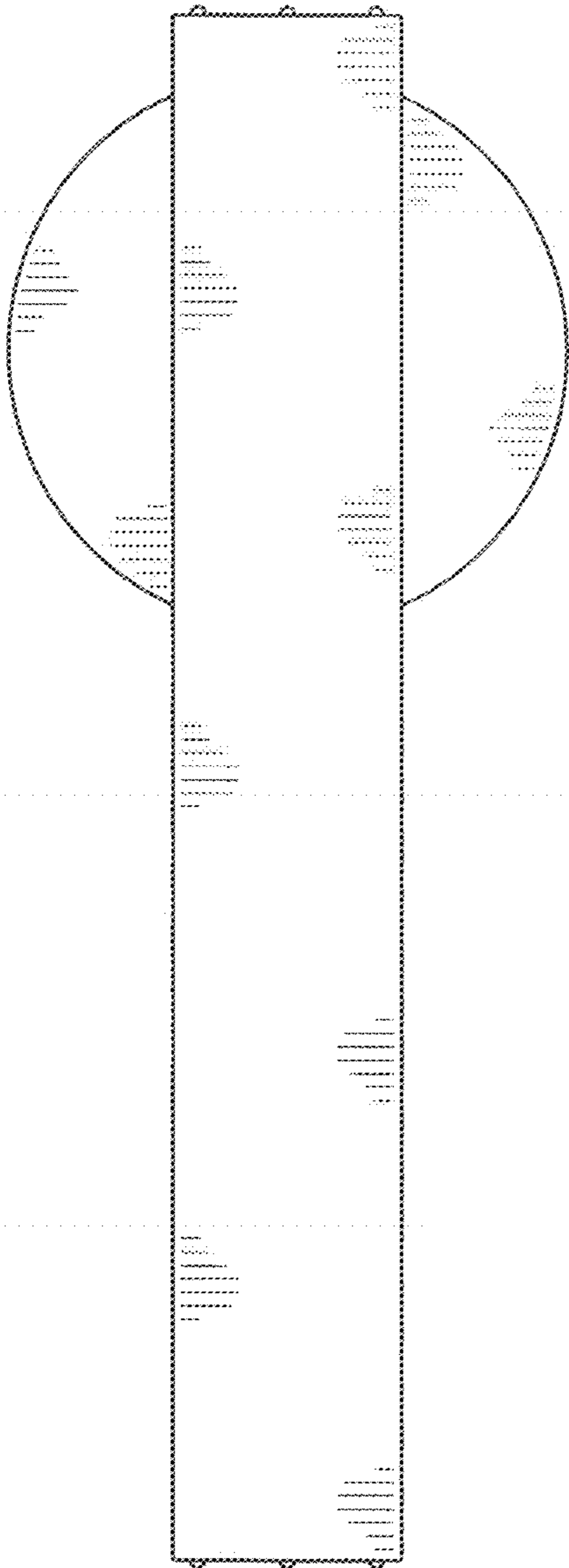


FIG. 5

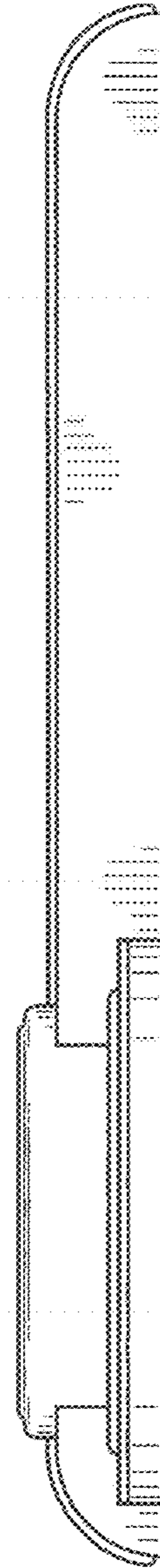


FIG. 7

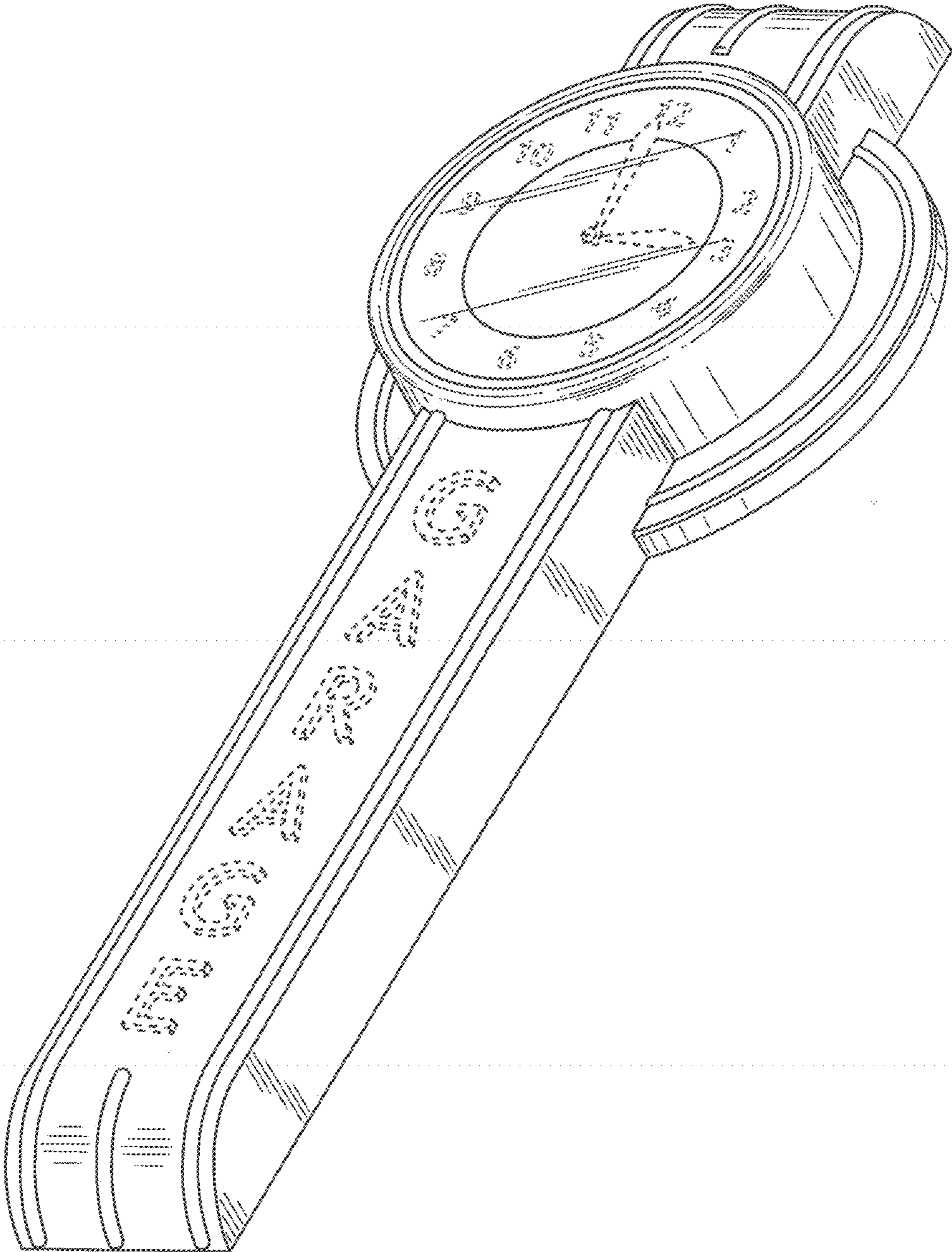


FIG. 8

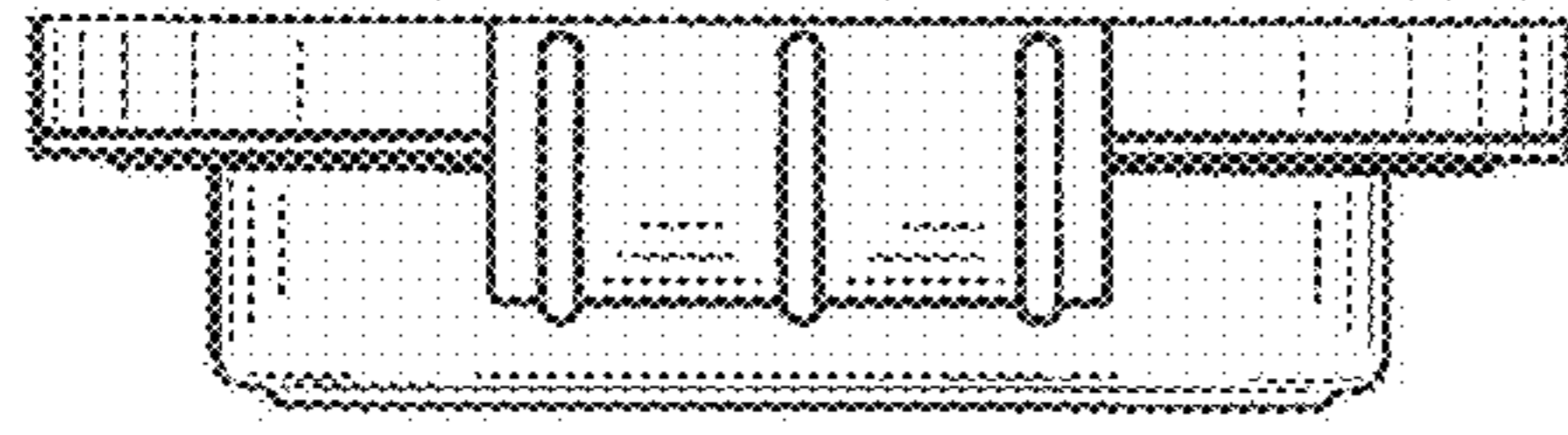


FIG. 9

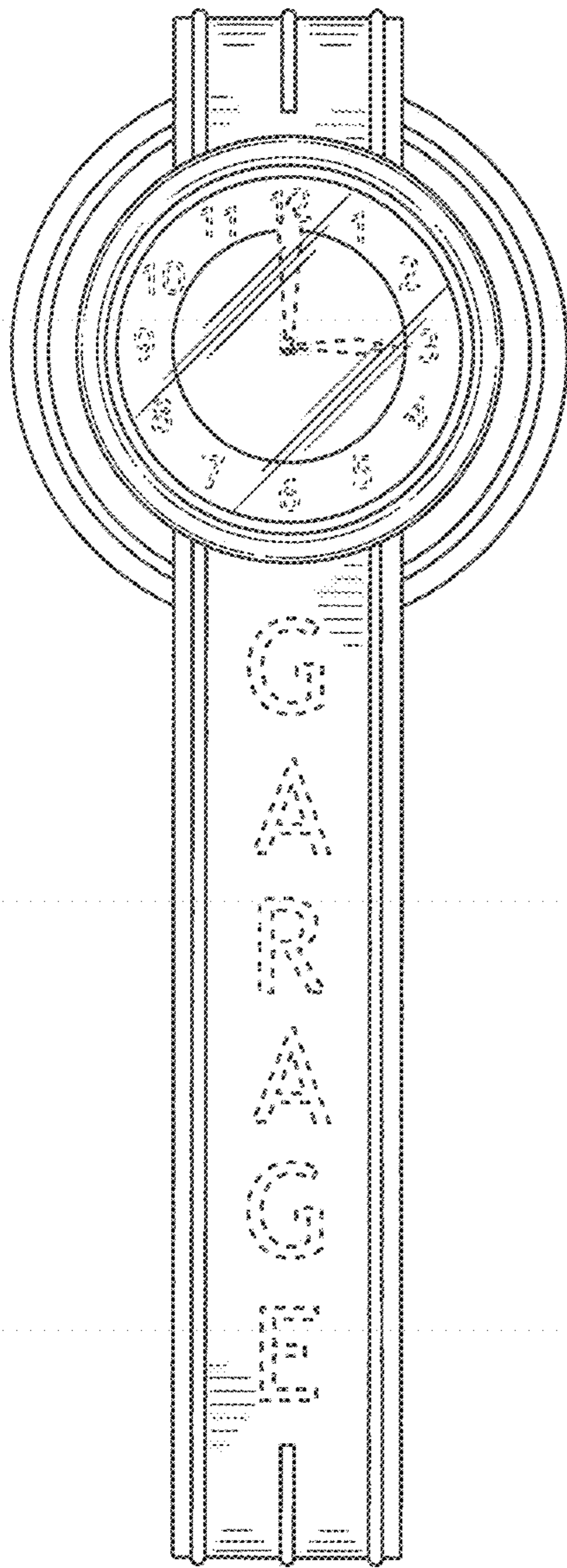


FIG. 10

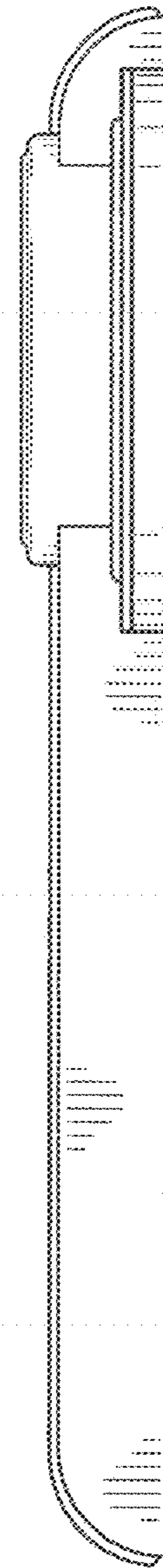


FIG. 11

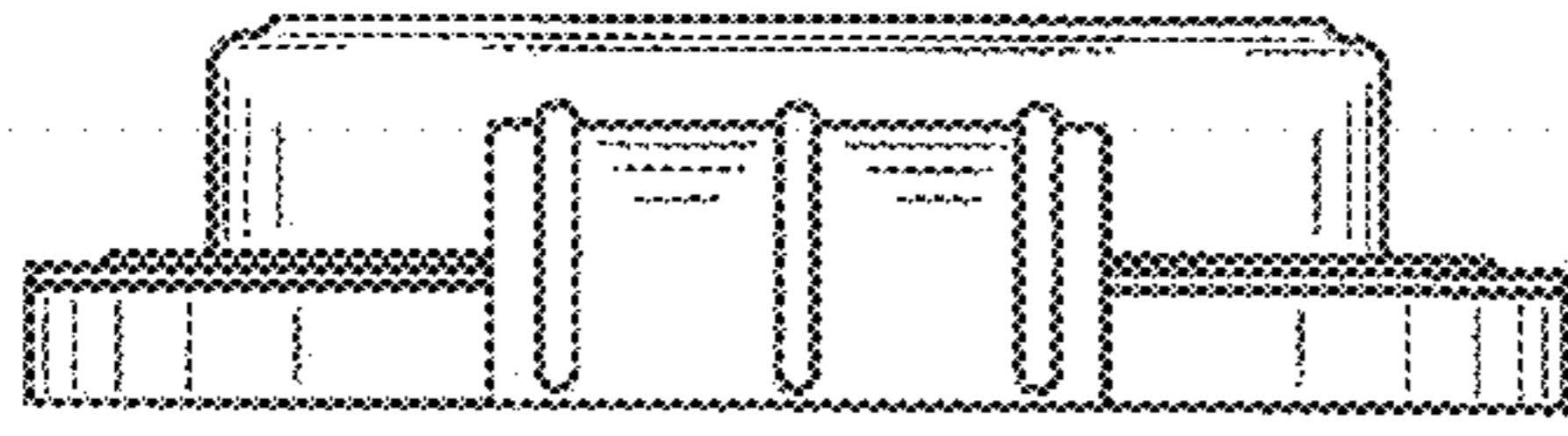


FIG. 12

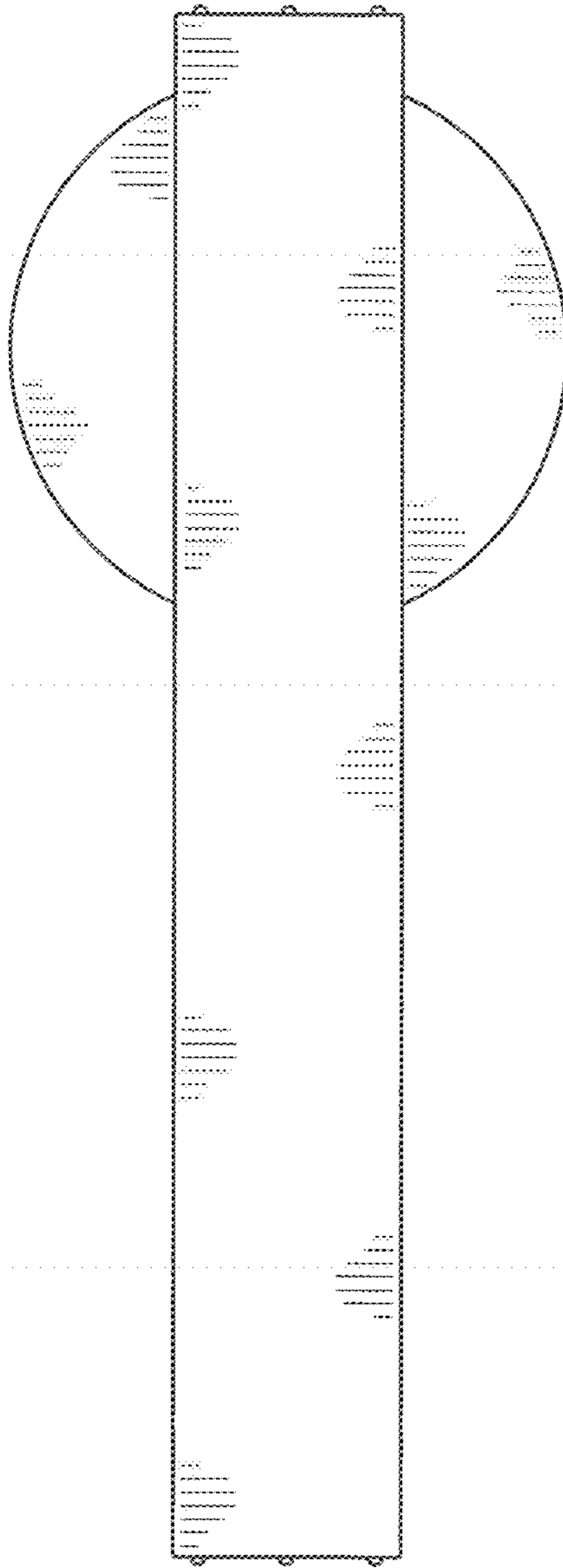


FIG. 13

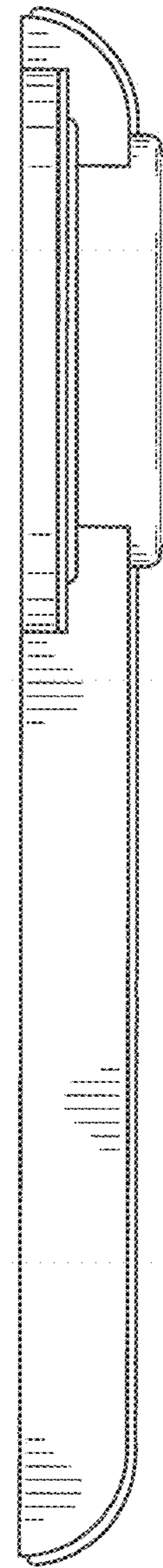


FIG. 14