



US00D916965S

(12) **United States Design Patent** (10) **Patent No.:** **US D916,965 S**  
**Ghaloostian** (45) **Date of Patent:** **\*\* Apr. 20, 2021**

(54) **CARPENTER PENCIL CLIP**  
(71) Applicant: **Garnik Ghaloostian**, Glendale, CA (US)  
(72) Inventor: **Garnik Ghaloostian**, Glendale, CA (US)  
(\*\*) Term: **15 Years**

D357,278 S \* 4/1995 Turney ..... D19/197  
D366,282 S 1/1996 Adams  
D367,076 S 2/1996 Boix Gacia  
D372,049 S \* 7/1996 Anderson ..... 401/88  
D376,817 S 12/1996 Boix Gacia  
5,619,892 A 4/1997 Eggert  
D426,378 S 6/2000 Cohen  
D428,918 S \* 8/2000 Mittersinker ..... D19/197  
D430,210 S \* 8/2000 Shimizu ..... D19/174  
D430,211 S 8/2000 Cheng  
6,170,088 B1 1/2001 Tate

(Continued)

(21) Appl. No.: **29/715,042**

(22) Filed: **Nov. 27, 2019**

(51) **LOC (13) Cl.** ..... **19-06**

(52) **U.S. Cl.**  
USPC ..... **D19/197; D19/904**

(58) **Field of Classification Search**  
USPC ..... D19/75, 77-85, 95, 135, 182, 184-186,  
D19/196, 197, 199-204; D3/206, 301;  
D14/432, 252  
CPC ..... A45C 11/34; A45C 11/36; B43K 23/016;  
B43K 23/06; B43K 23/10; B43M 99/00;  
B43M 99/001; B43M 99/006; B43M  
99/008

See application file for complete search history.

(56) **References Cited**

**U.S. PATENT DOCUMENTS**

1,323,612 A \* 12/1919 Rich ..... B43K 23/016  
401/88  
1,474,885 A 11/1923 Boice et al.  
1,595,948 A \* 8/1926 King ..... B43K 23/06  
401/88  
1,634,772 A 7/1927 Chrisman et al.  
D200,746 S \* 3/1965 Han ..... D19/197  
3,534,445 A 10/1970 Bleuer et al.  
D256,963 S 9/1980 Harrington  
D304,667 S 11/1989 Hutton  
D306,317 S \* 2/1990 Petterson ..... D19/197  
4,964,225 A 10/1990 Waldherr  
D345,466 S 3/1994 Brouse

**OTHER PUBLICATIONS**

Kooper Polymers Magnetic Carpenter Pencil Clip with pencil, by Kooper Polymers, Manufacturer: Polymers West, ASIN: B0845VPSGQ, online at Amazon.com, Date First Available: Jan. 23, 2020.\*

*Primary Examiner* — Elizabeth A. Albert  
(74) *Attorney, Agent, or Firm* — Dunlap Bennett & Ludwig, PLLC; Brendan E. Squire

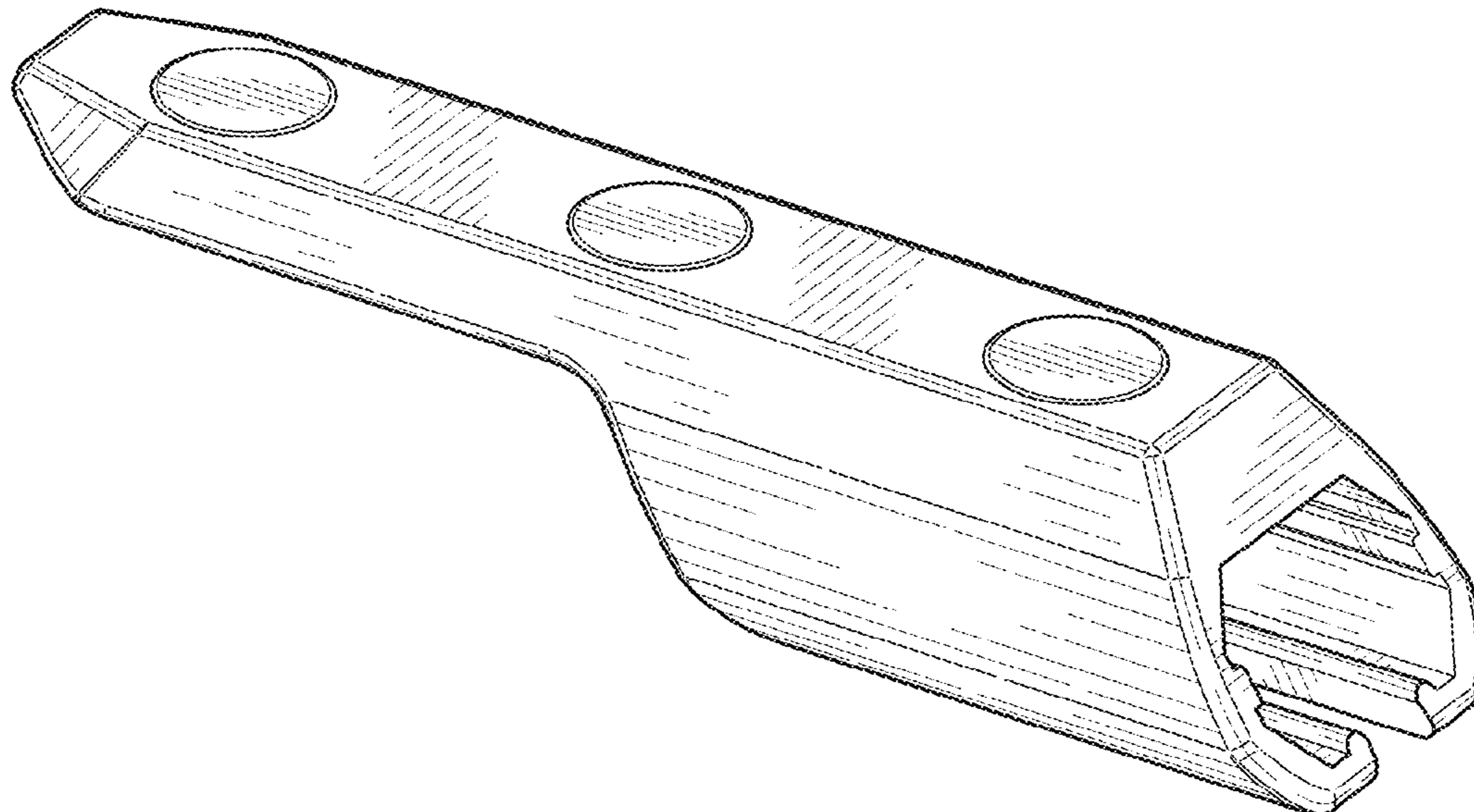
(57) **CLAIM**

The ornamental design for a carpenter pencil clip, as shown and described.

**DESCRIPTION**

FIG. 1 is a perspective view of the carpenter pencil clip showing my new design;  
FIG. 2 is a right elevation view thereof;  
FIG. 3 is a left elevation view thereof;  
FIG. 4 is a front elevation view thereof;  
FIG. 5 is a rear elevation view thereof;  
FIG. 6 is a top plan view thereof;  
FIG. 7 is a bottom plan view thereof;  
FIG. 8 is a perspective exploded view thereof; and,  
FIG. 9 is a perspective in use view thereof with environment. The broken lines in FIG. 9 showing the carpenter pencil clip in use illustrate environment and form no part of the claim.

**1 Claim, 4 Drawing Sheets**



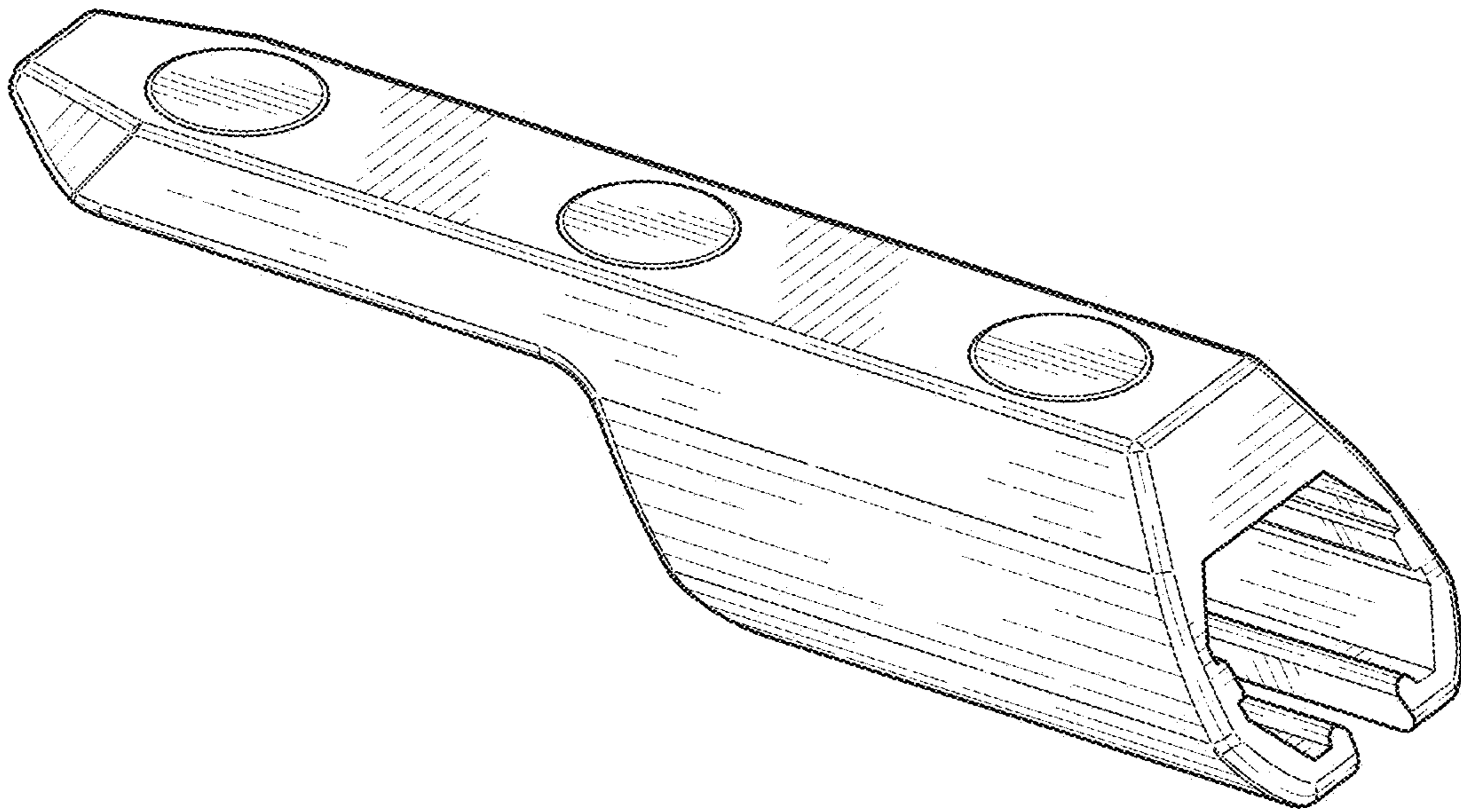
(56)

**References Cited**

U.S. PATENT DOCUMENTS

D446,547	S *	8/2001	Nagel .....	D19/197
6,276,854	B1 *	8/2001	Mullins .....	B43K 23/016
				401/131
D454,589	S *	3/2002	Pellissa Beneyto .....	D19/175
D478,630	S	8/2003	Riggins	
D482,728	S *	11/2003	Koch .....	D19/173
D489,408	S	5/2004	Qiu	
D490,110	S	5/2004	Qiu	
D490,849	S	6/2004	Katami	
D493,836	S	8/2004	Cegelski et al.	
D496,400	S *	9/2004	Pellissa Beneyto .....	D19/172
D500,521	S	1/2005	Hautzinger et al.	
D508,200	S	8/2005	Cagle	
D526,743	S	8/2006	Battista, III et al.	
D538,343	S *	3/2007	Morton .....	D19/172
D551,707	S *	9/2007	Neuenschwander .....	D19/174
D551,709	S *	9/2007	Pellissa Beneyto .....	D19/172
D569,435	S	5/2008	Cetera	
D569,910	S	5/2008	Cetera	
D570,415	S	6/2008	Richter et al.	
D580,491	S *	11/2008	Fei .....	D19/171
D586,398	S	2/2009	Cheng et al.	
D603,899	S *	11/2009	Suero, Jr. ....	D19/174
D604,362	S *	11/2009	Suero, Jr. ....	D19/174
7,645,083	B2 *	1/2010	Burry .....	B43K 23/008
				401/93
D612,425	S *	3/2010	Suero, Jr. ....	D19/171
8,235,262	B1	8/2012	Sakdol	
D685,424	S *	7/2013	Allemeier .....	D19/173
D694,330	S *	11/2013	Hern .....	D19/201
D744,745	S	12/2015	Fischer	
D852,887	S	7/2019	Mitchell	
2011/0203127	A1	8/2011	Mayfield	

\* cited by examiner



**FIG. 1**

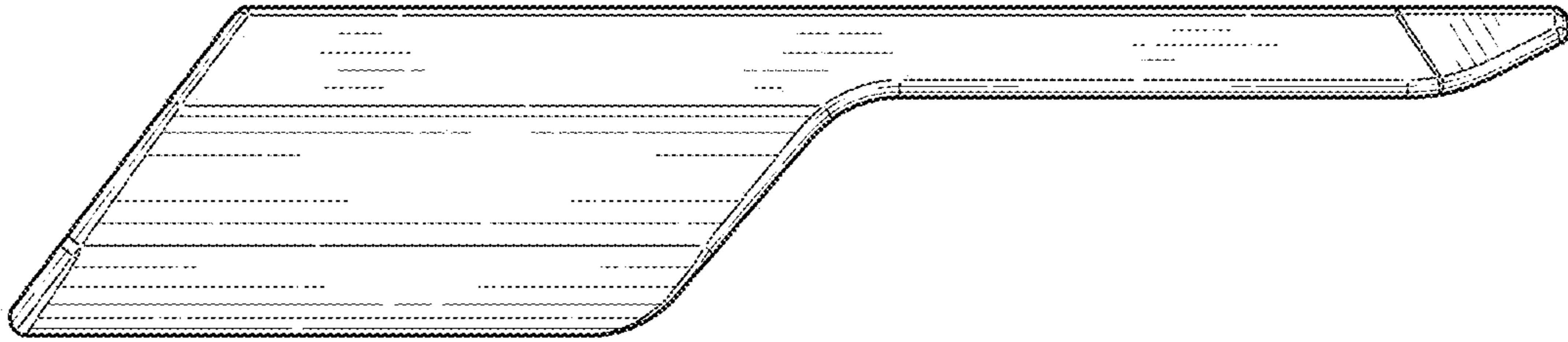


FIG. 2

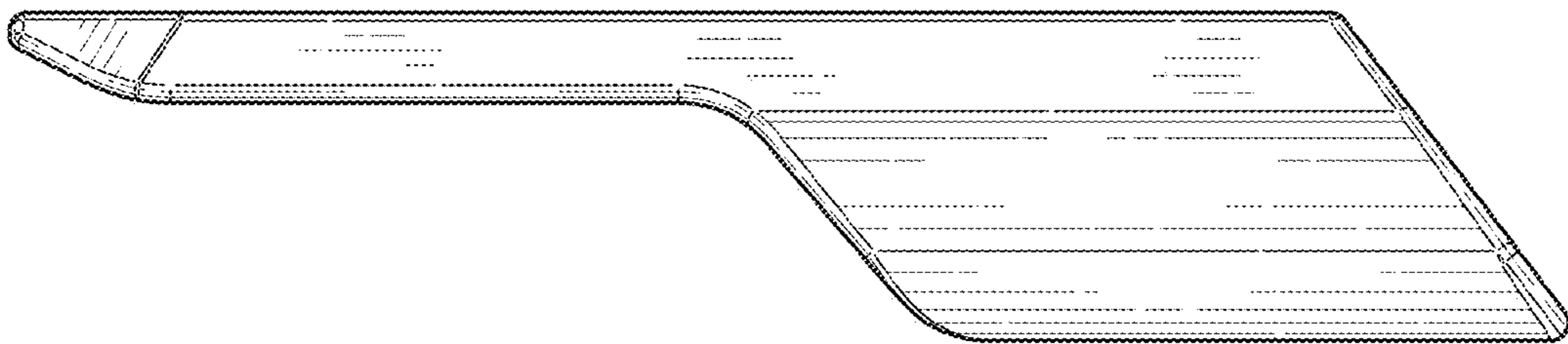
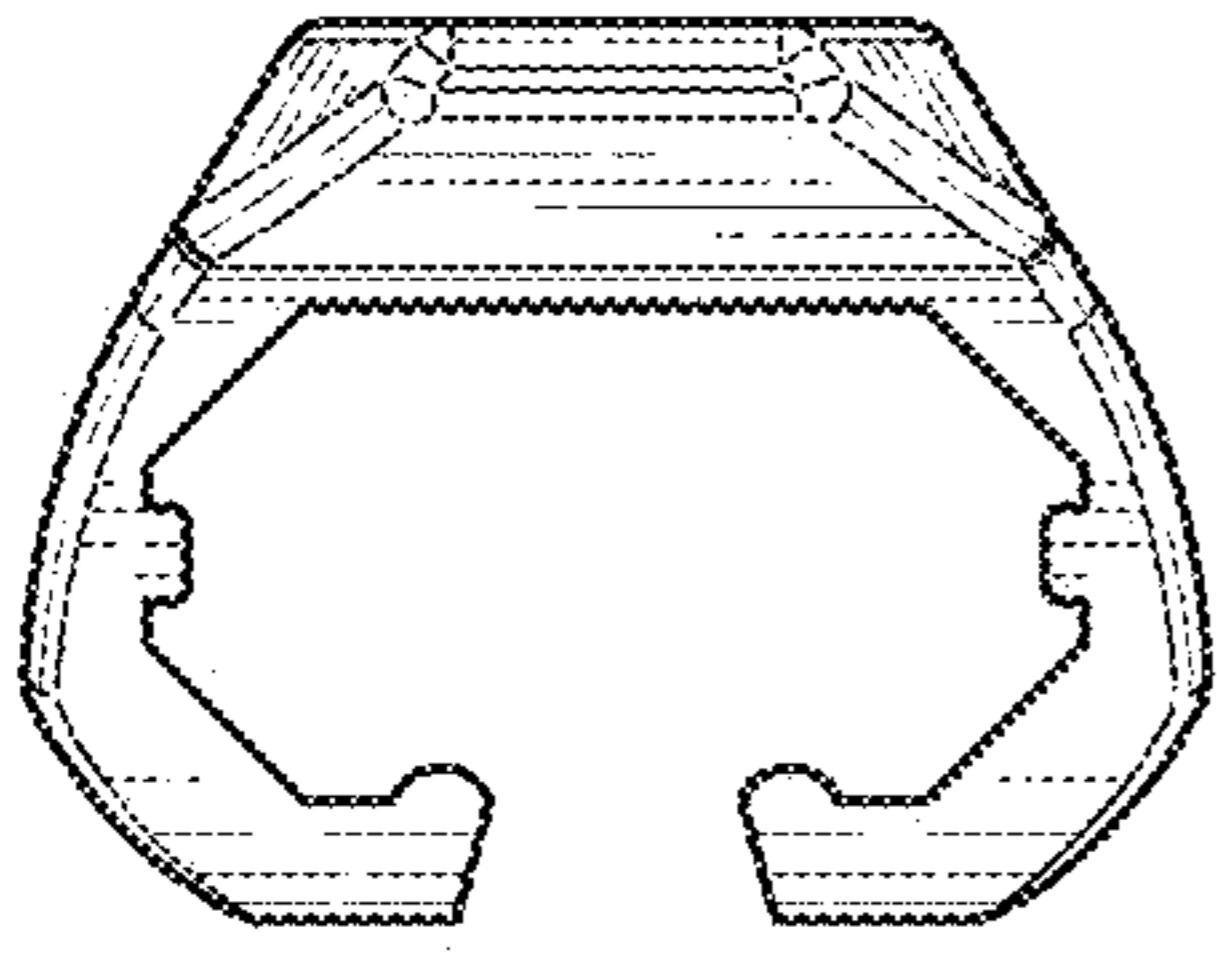
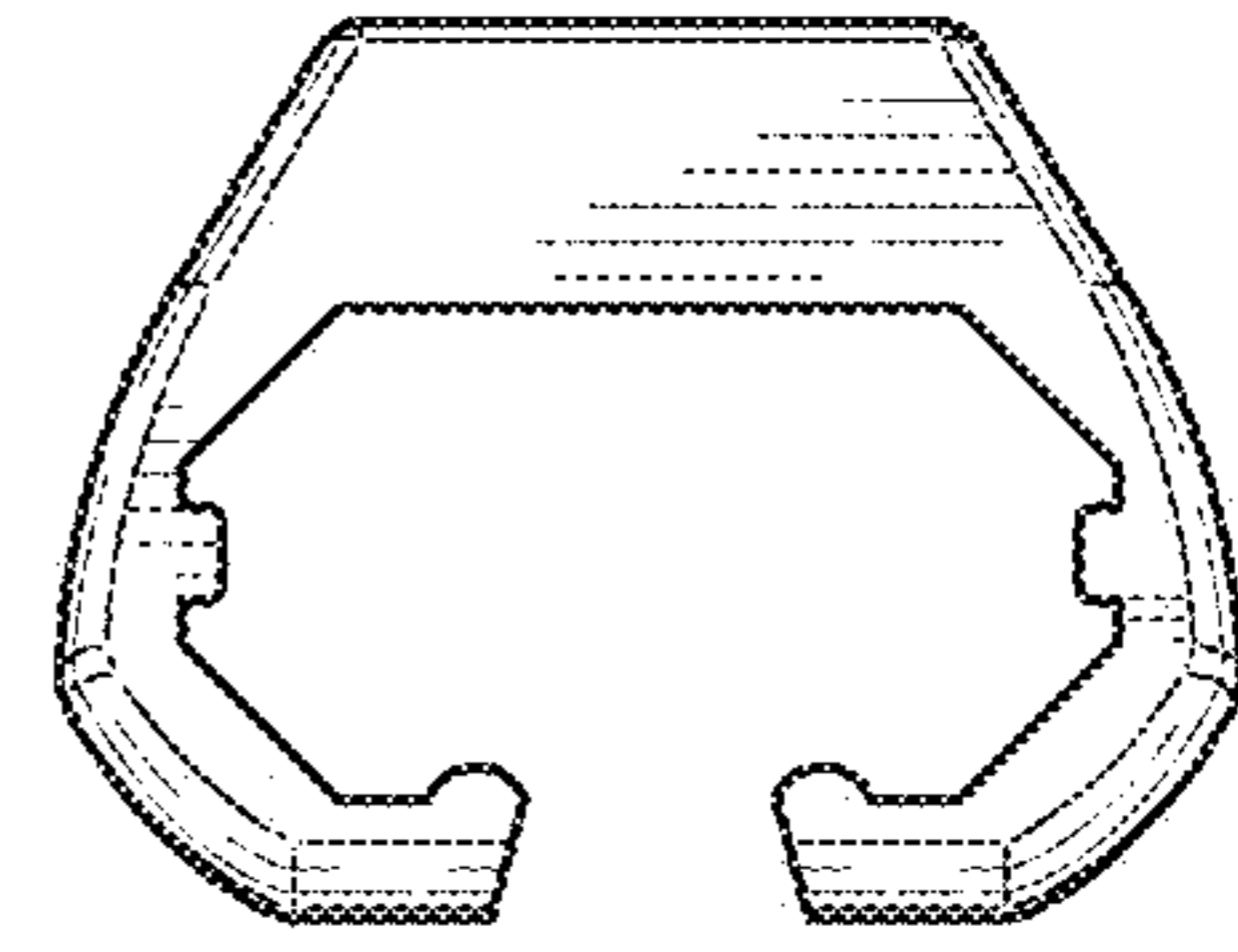


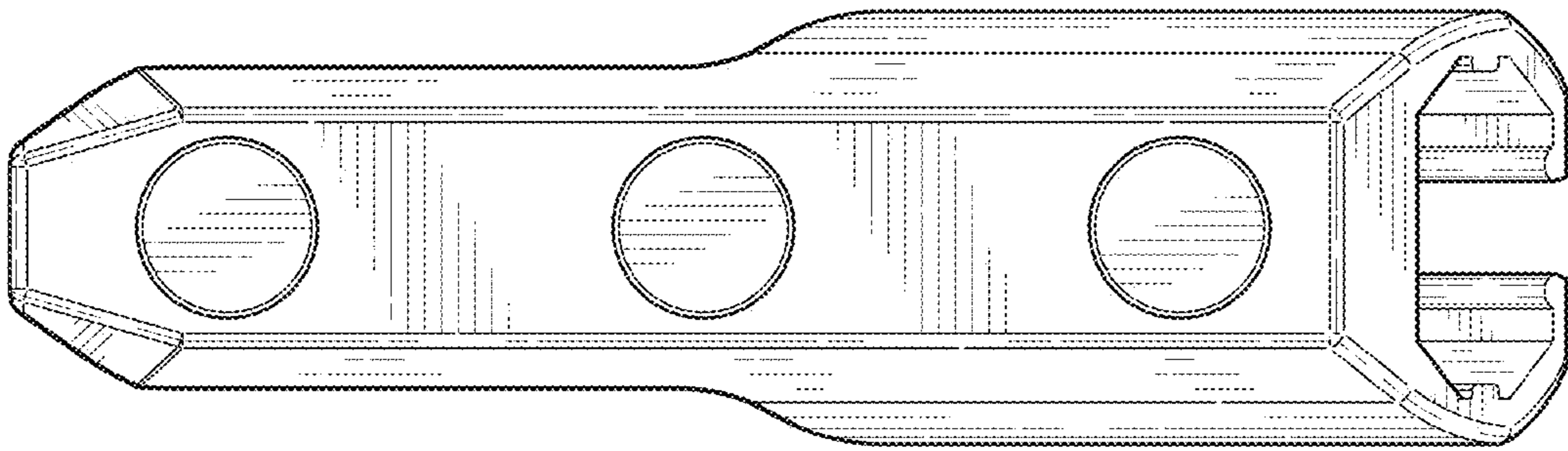
FIG. 3



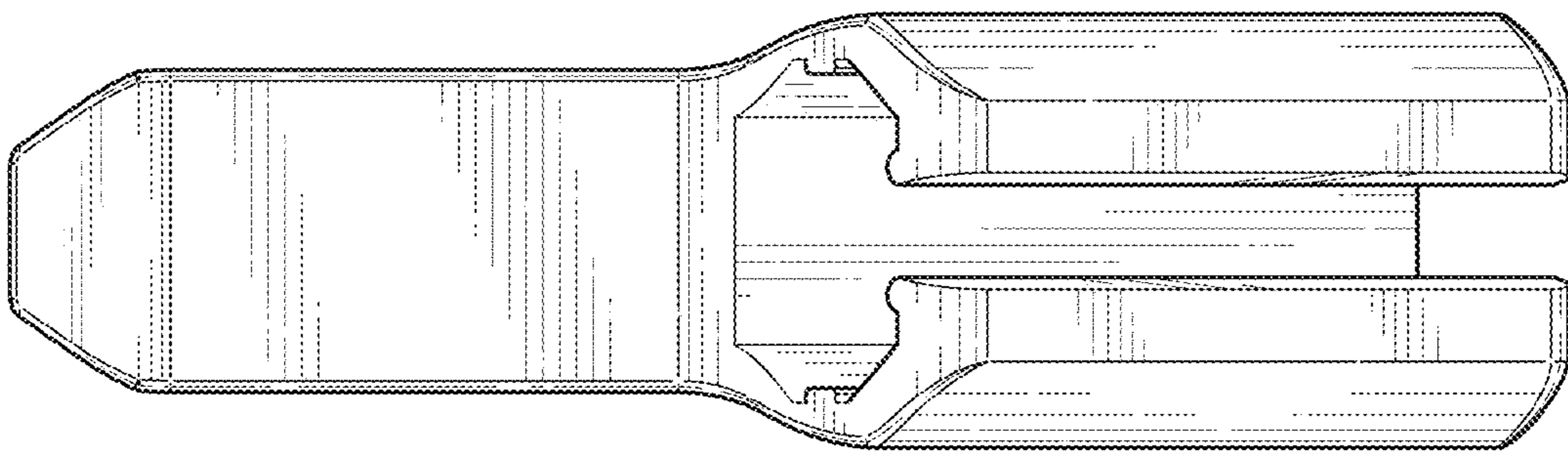
**FIG. 4**



**FIG. 5**



**FIG. 6**



**FIG. 7**

