



US00D916964S

(12) **United States Design Patent**
Pereira

(10) **Patent No.:** **US D916,964 S**

(45) **Date of Patent:** **** Apr. 20, 2021**

(54) **WRITING BOARD**

(71) Applicant: **BI-SILQUE, S.A.**, Esmoriz (PT)

(72) Inventor: **Adriano Alexandre Oliveira Pereira**,
Esmoriz (PT)

(**) Term: **15 Years**

(21) Appl. No.: **35/508,282**

(22) Filed: **Jul. 1, 2019**

(80) **Hague Agreement Data**

Int. Filing Date: **Jul. 1, 2019**

Int. Reg. No.: **DM/204659**

Int. Reg. Date: **Jul. 1, 2019**

Int. Reg. Pub. Date: **Jan. 3, 2020**

(51) **LOC (13) Cl.** **19-06**

(52) **U.S. Cl.**
USPC **D19/113**

(58) **Field of Classification Search**

USPC D6/310-314; D19/113

CPC A47B 97/08; A47B 97/04; A47B 23/044;
A47B 23/043; A47B 2220/0083; B43L
1/00; B43L 1/06

See application file for complete search history.

(56) **References Cited**

U.S. PATENT DOCUMENTS

D292,045 S * 9/1987 McDowell D6/300
D303,045 S * 8/1989 Kramer D6/311
D344,637 S * 3/1994 Brown D19/113

D424,308 S * 5/2000 Hutten D6/312
D460,867 S * 7/2002 Glebe D6/313
D485,708 S * 1/2004 Robertson D6/675.3
D552,383 S * 10/2007 Glebe D6/312
D553,366 S * 10/2007 Stengel D6/312
D553,863 S * 10/2007 Stengel D6/312
D695,029 S * 12/2013 Jewett D6/310
D853,134 S * 7/2019 Zhang D6/310
D864,296 S * 10/2019 Park D19/113
D865,065 S * 10/2019 Georgiadis D21/306

* cited by examiner

Primary Examiner — Michael A. Pratt

(57) **CLAIM**

The ornamental design for a writing board, as shown and described.

DESCRIPTION

1.-2. Writing board

1.1 : Front

1.2 : Bottom

1.3 : Right

1.4 : Perspective

1.5 : Left

1.6 : Top

1.7 : Back

2.1 : Front

2.2 : Bottom

2.3 : Perspective

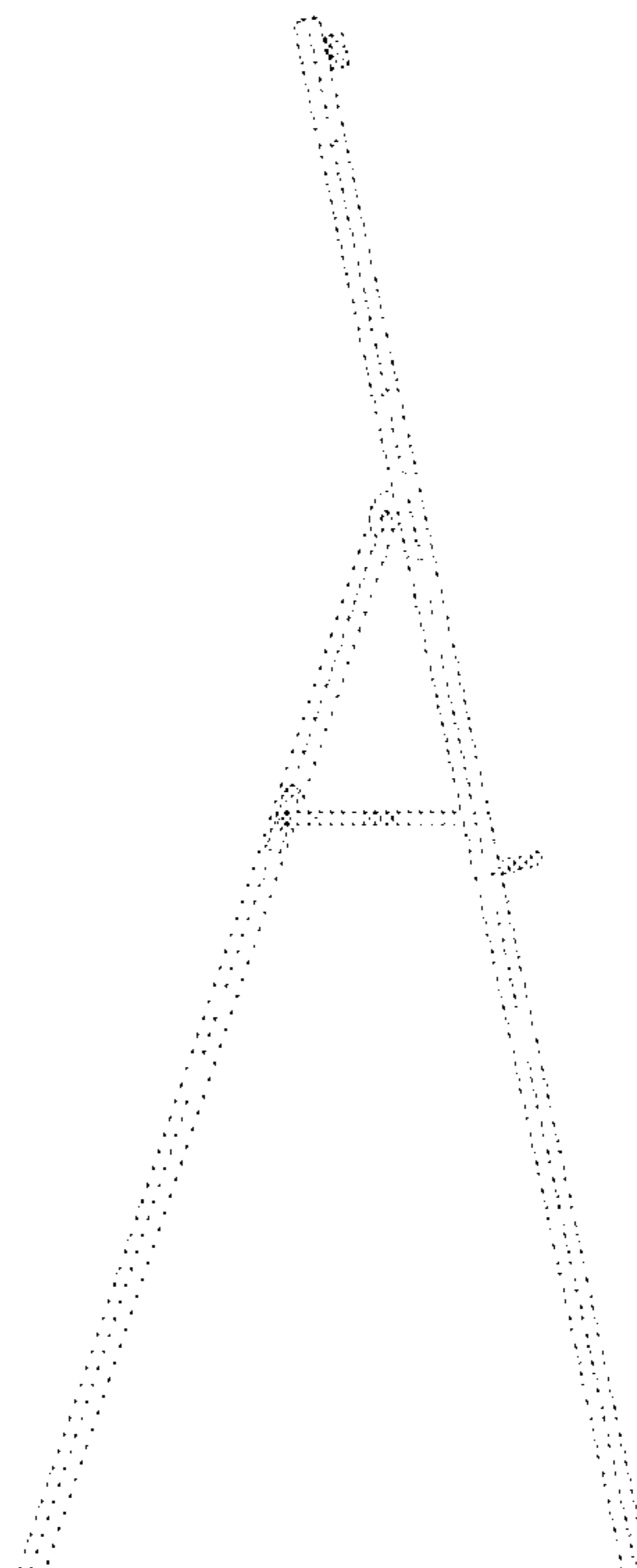
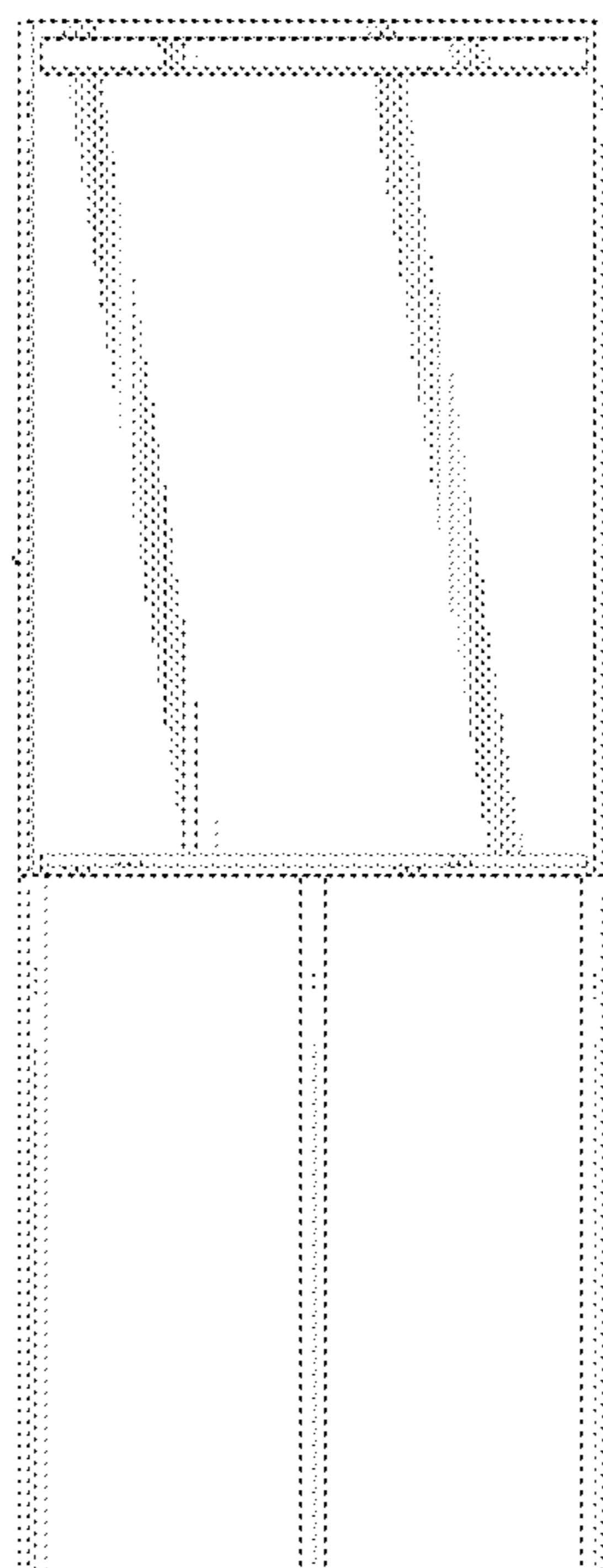
2.4 : Right

2.5 : Left

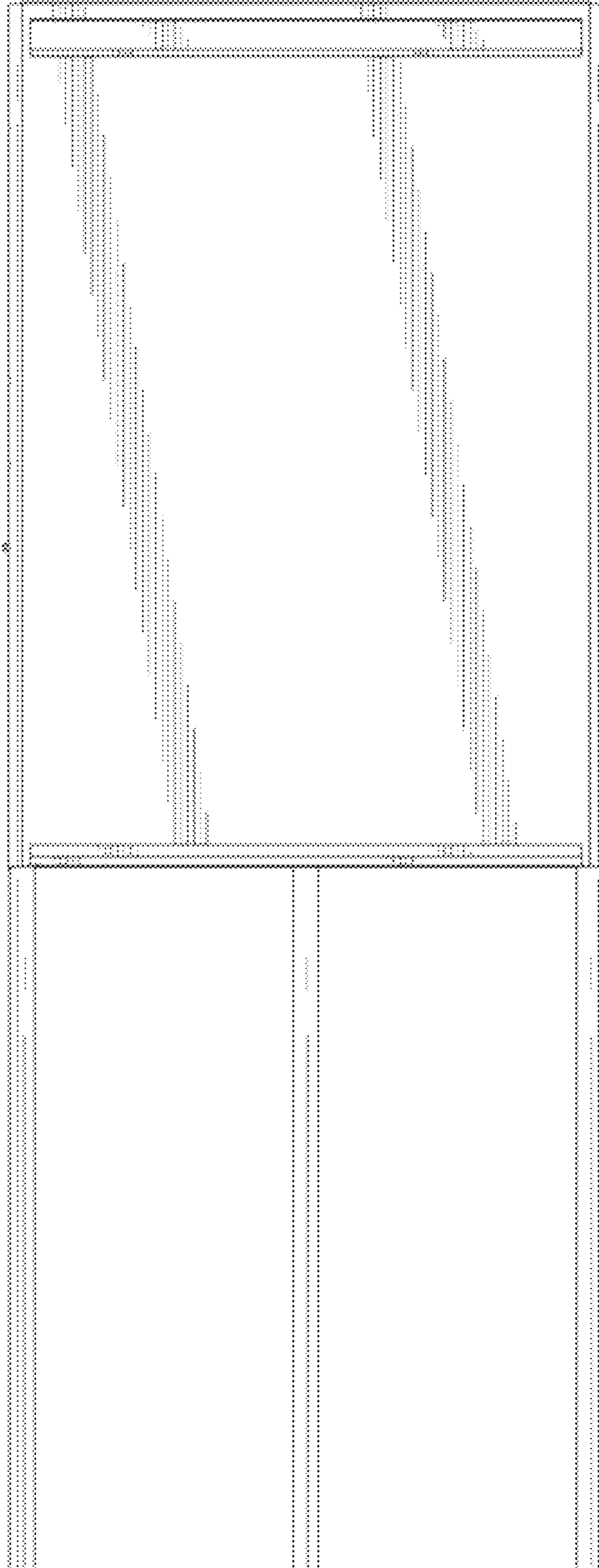
2.6 : Top

2.7 : Back

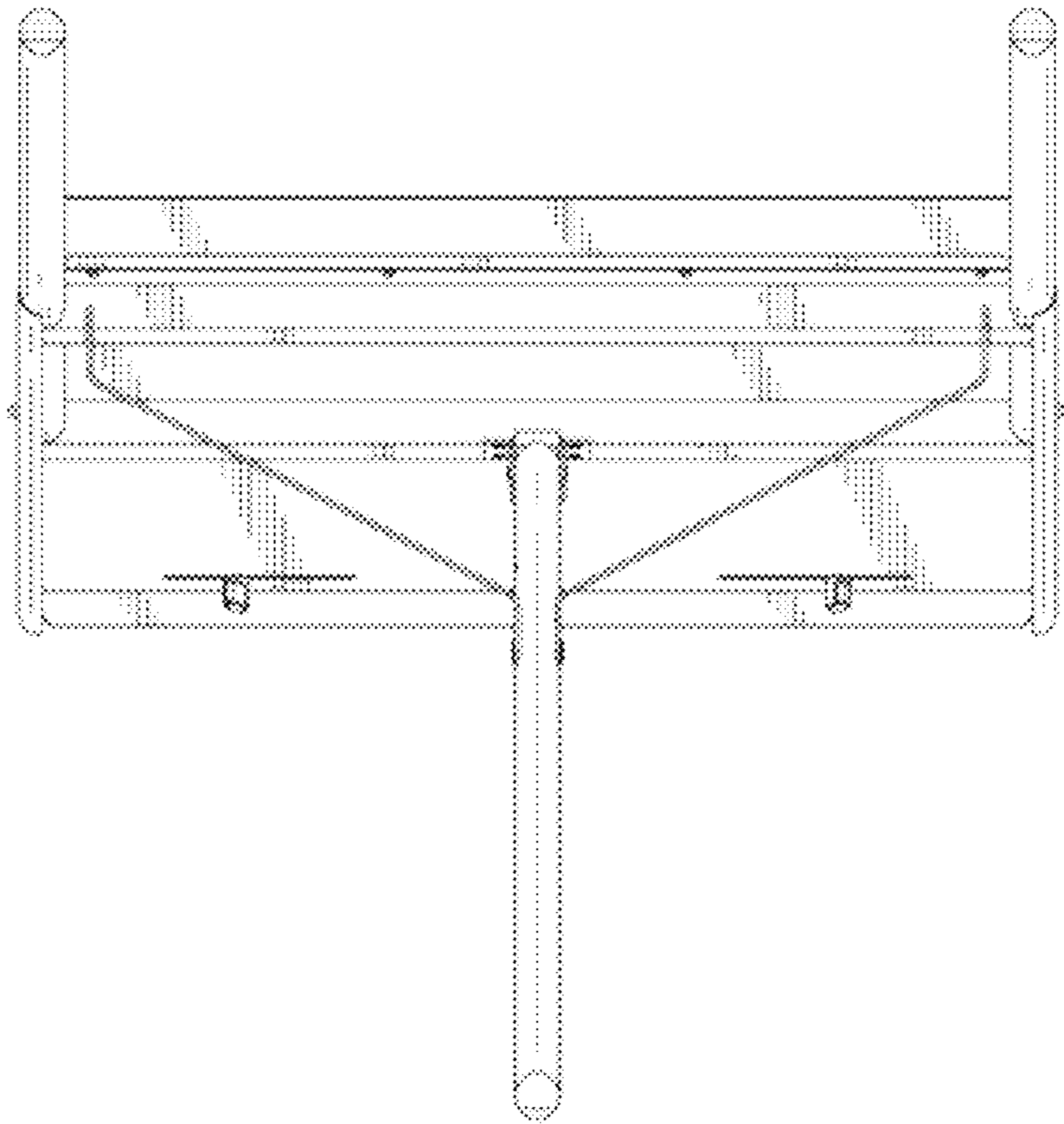
1 Claim, 14 Drawing Sheets



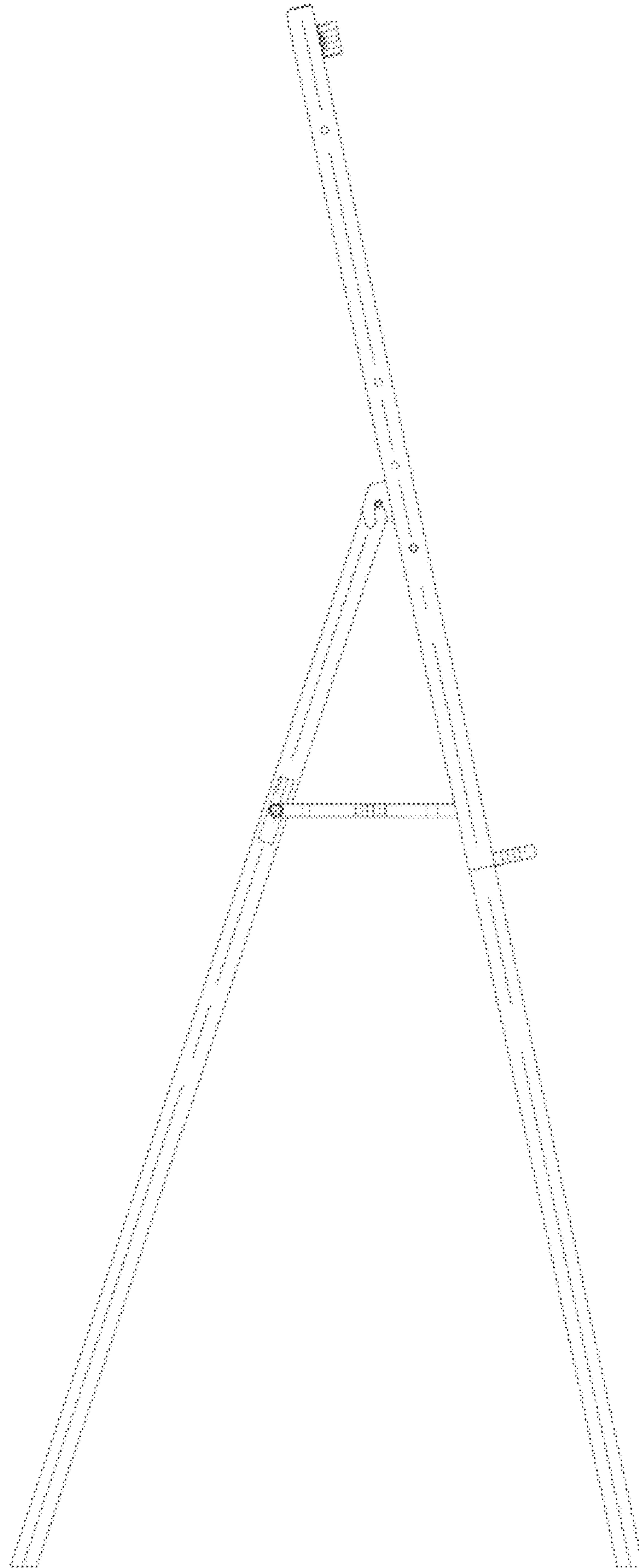
1.1



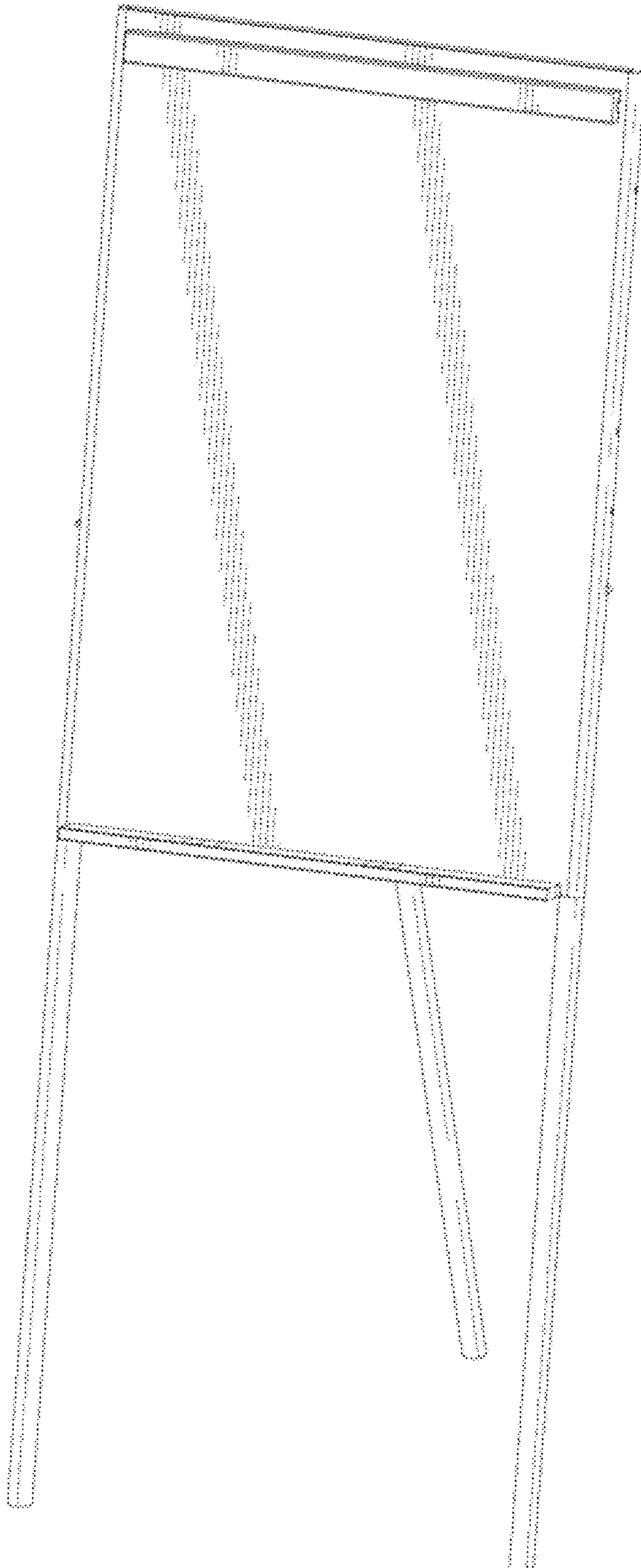
1.2



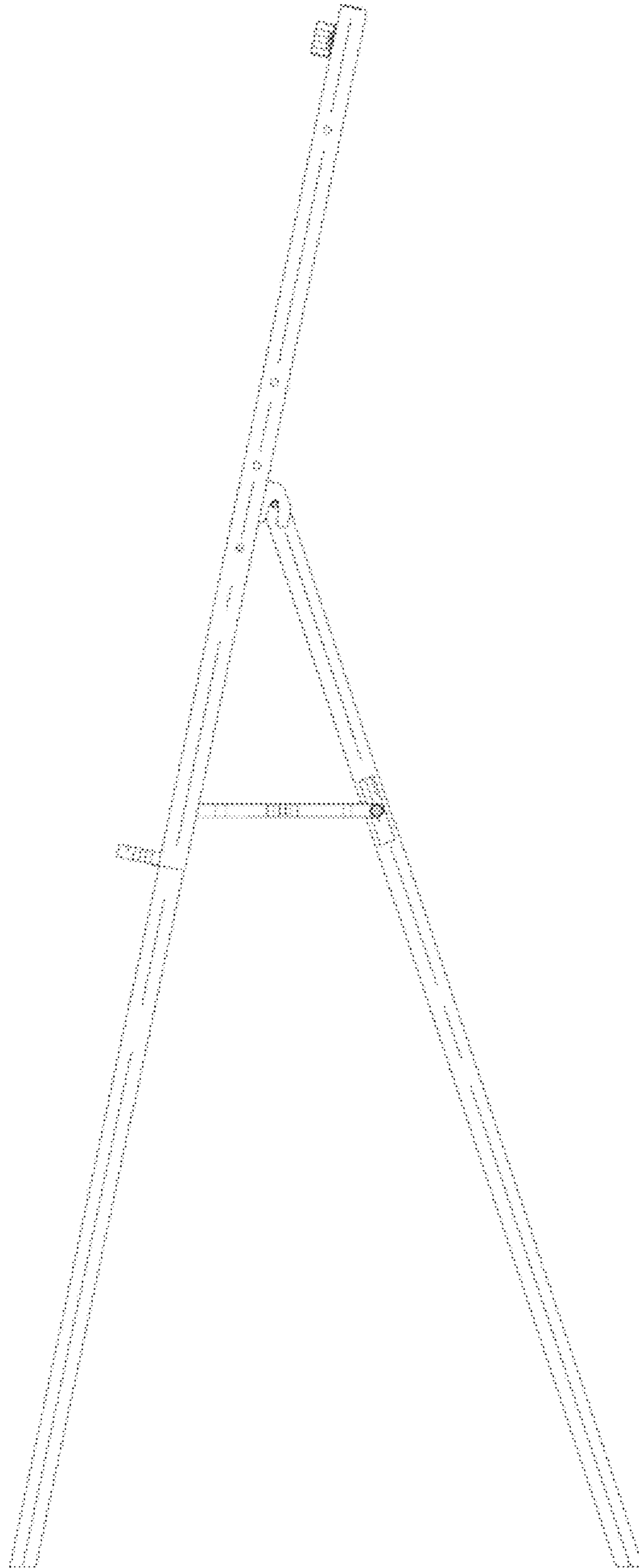
1.3



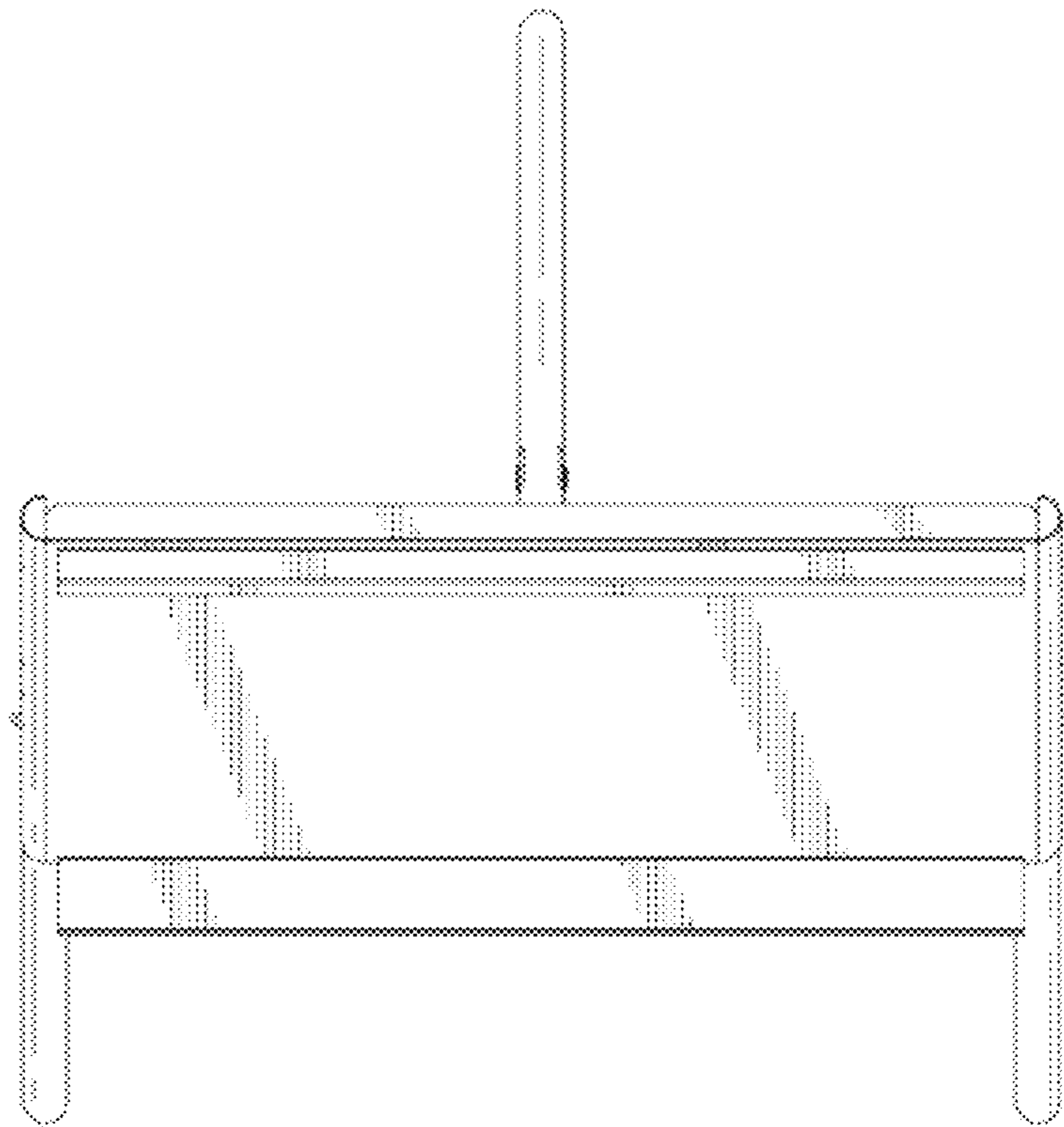
1.4



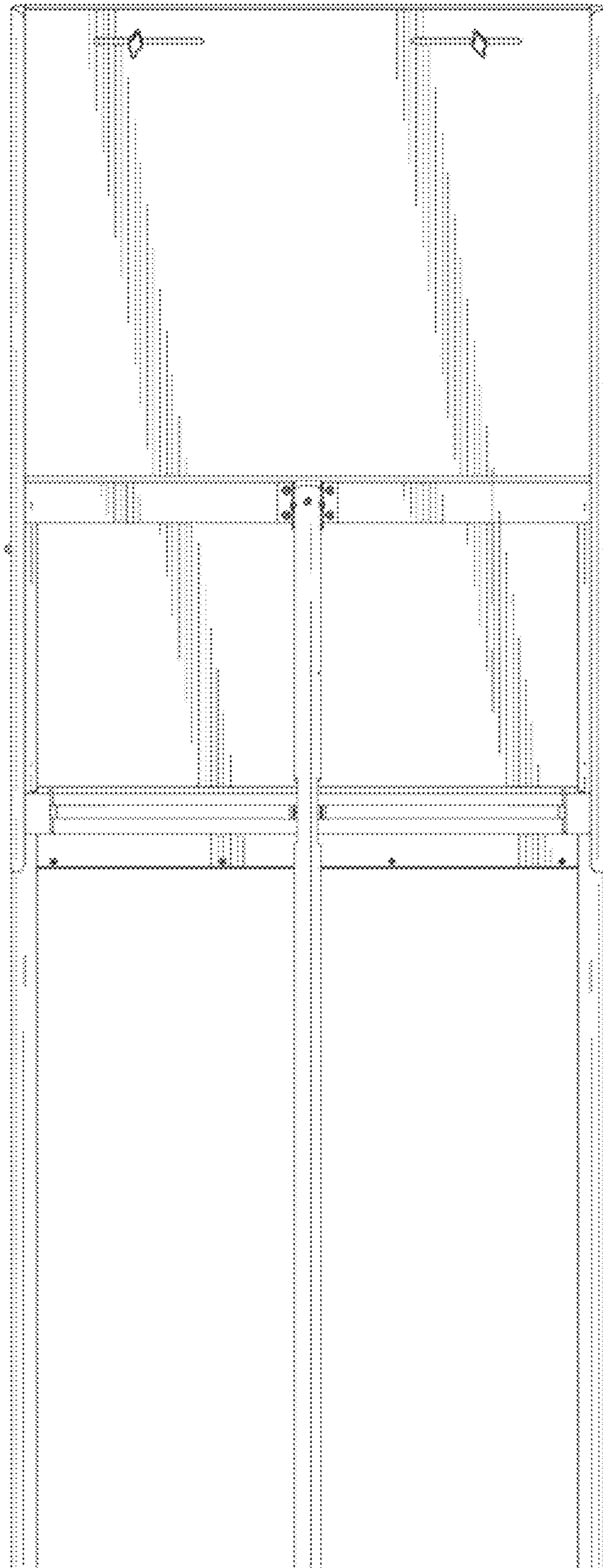
1.5



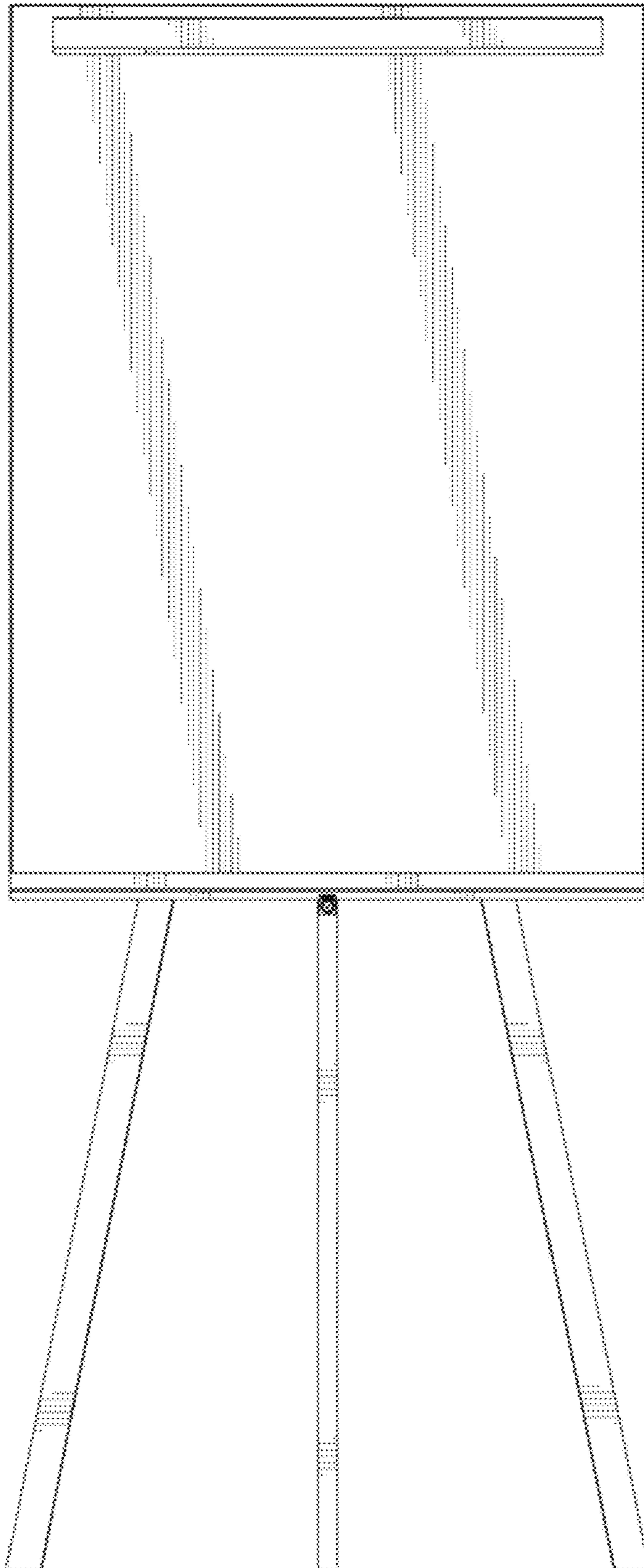
1.6



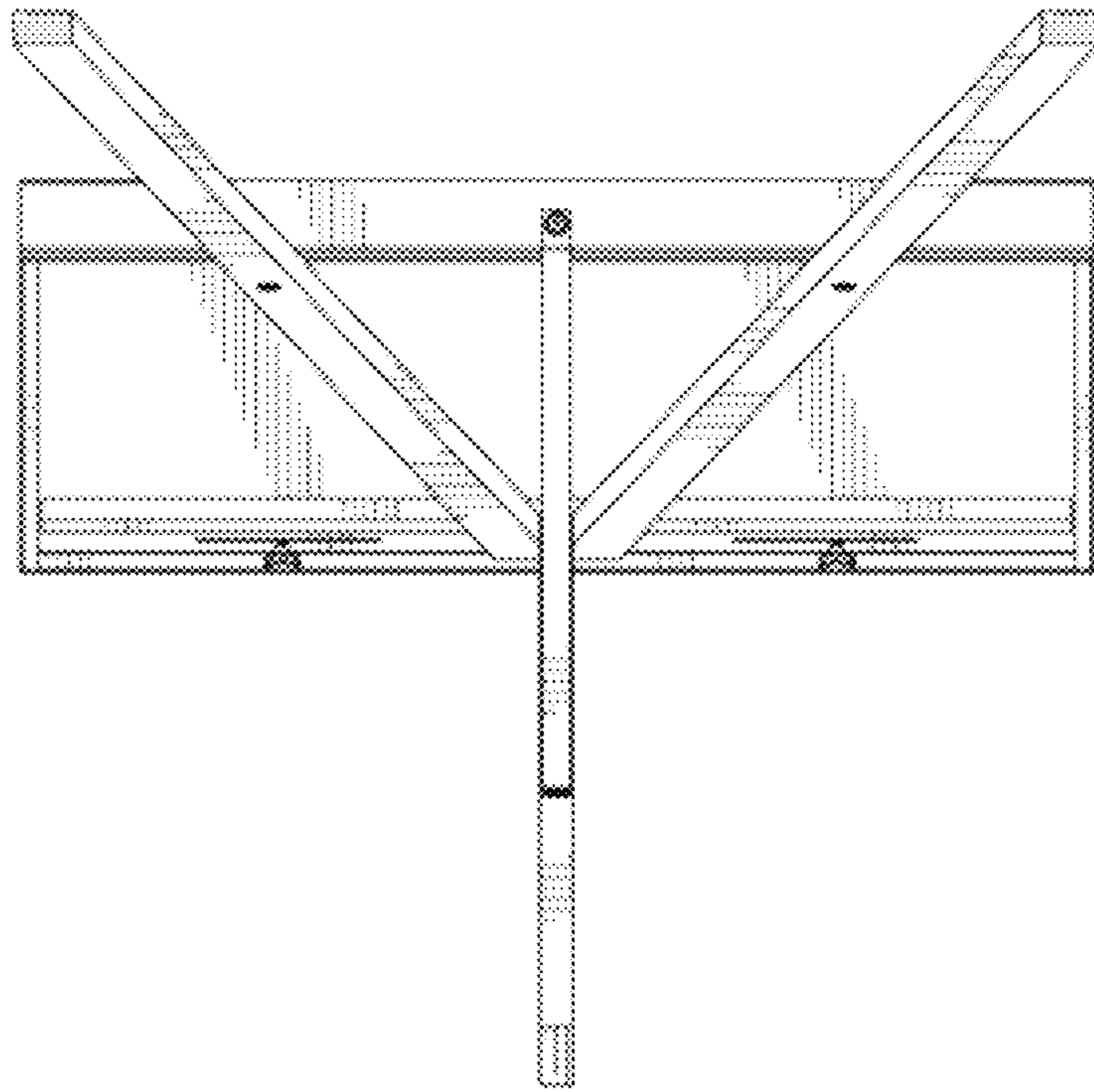
1.7



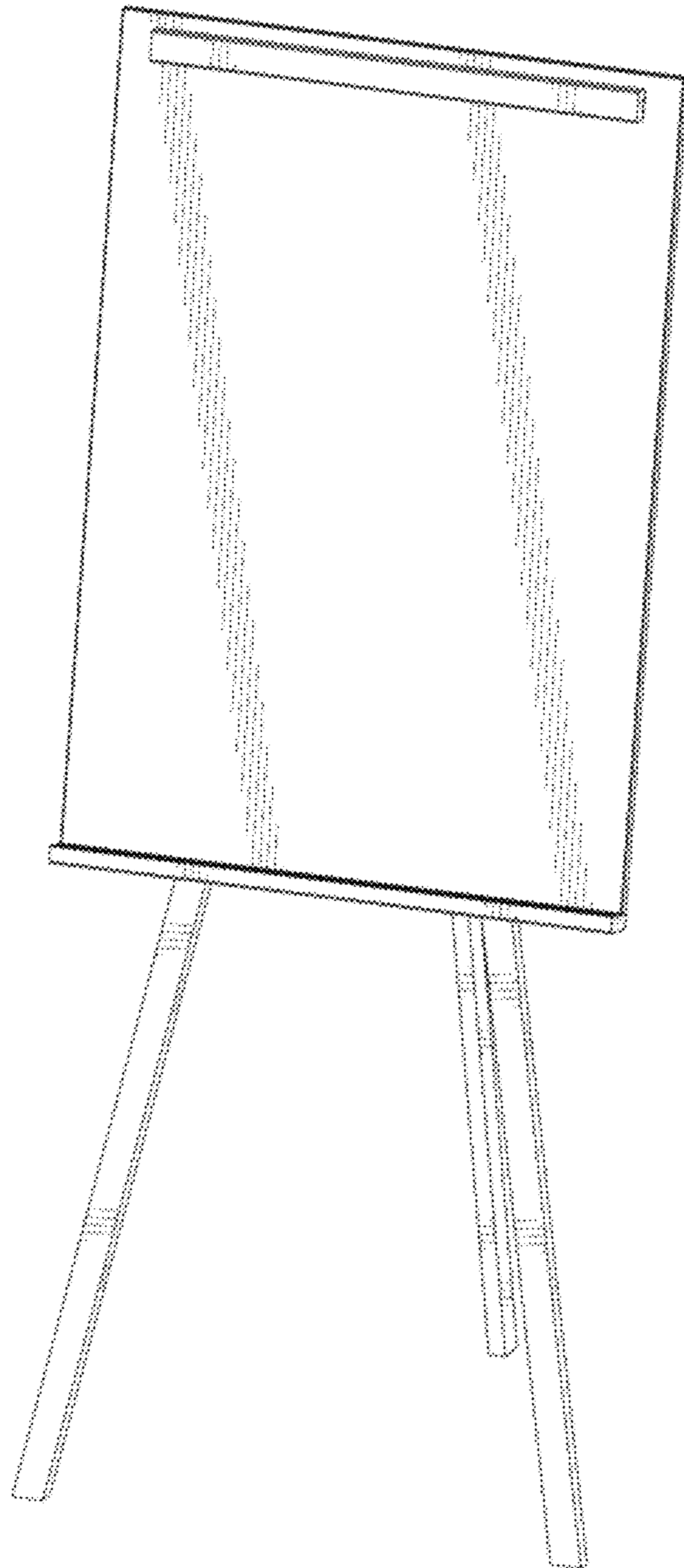
2.1



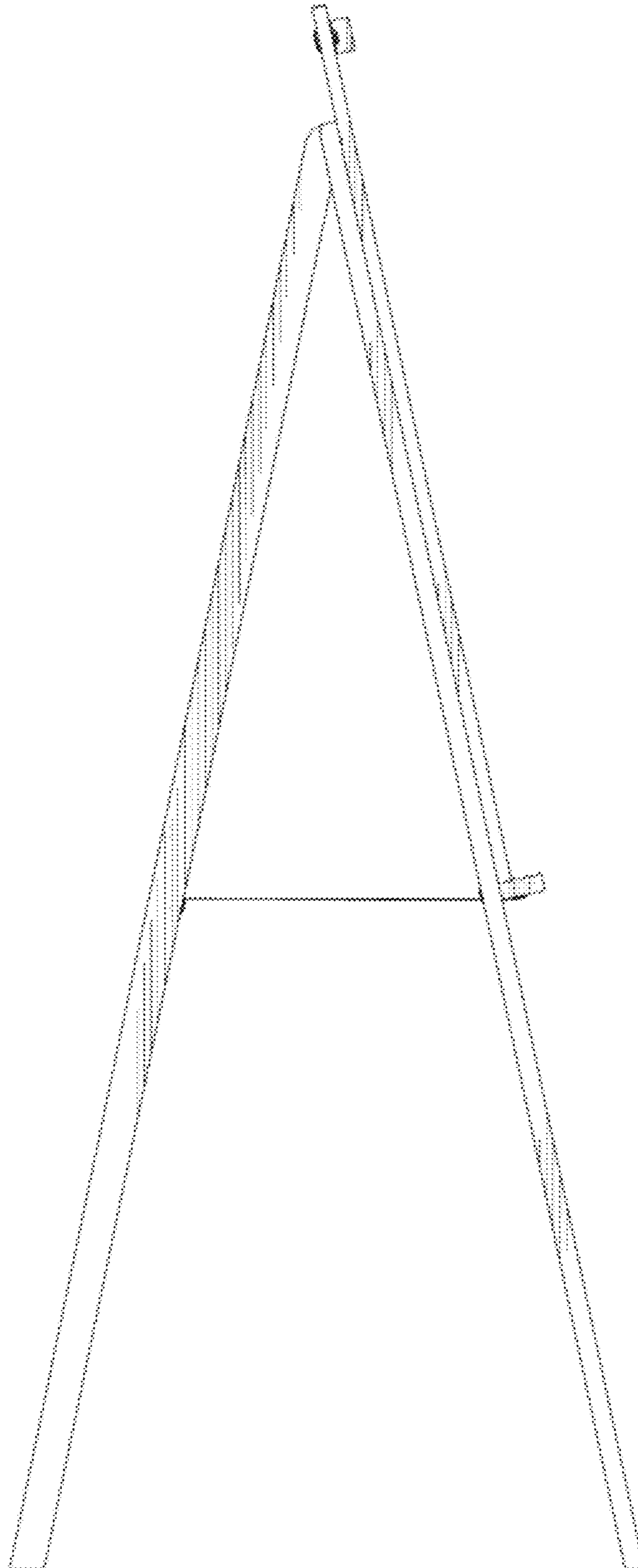
2.2



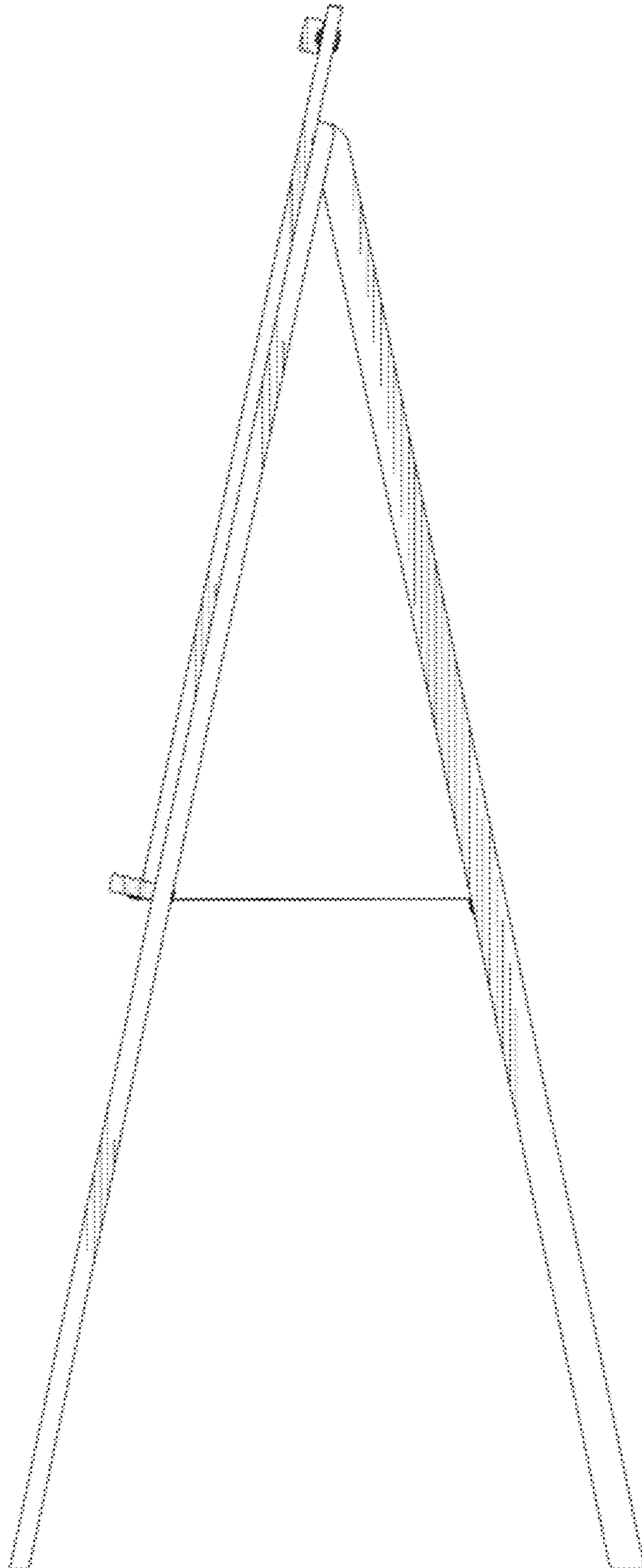
2.3



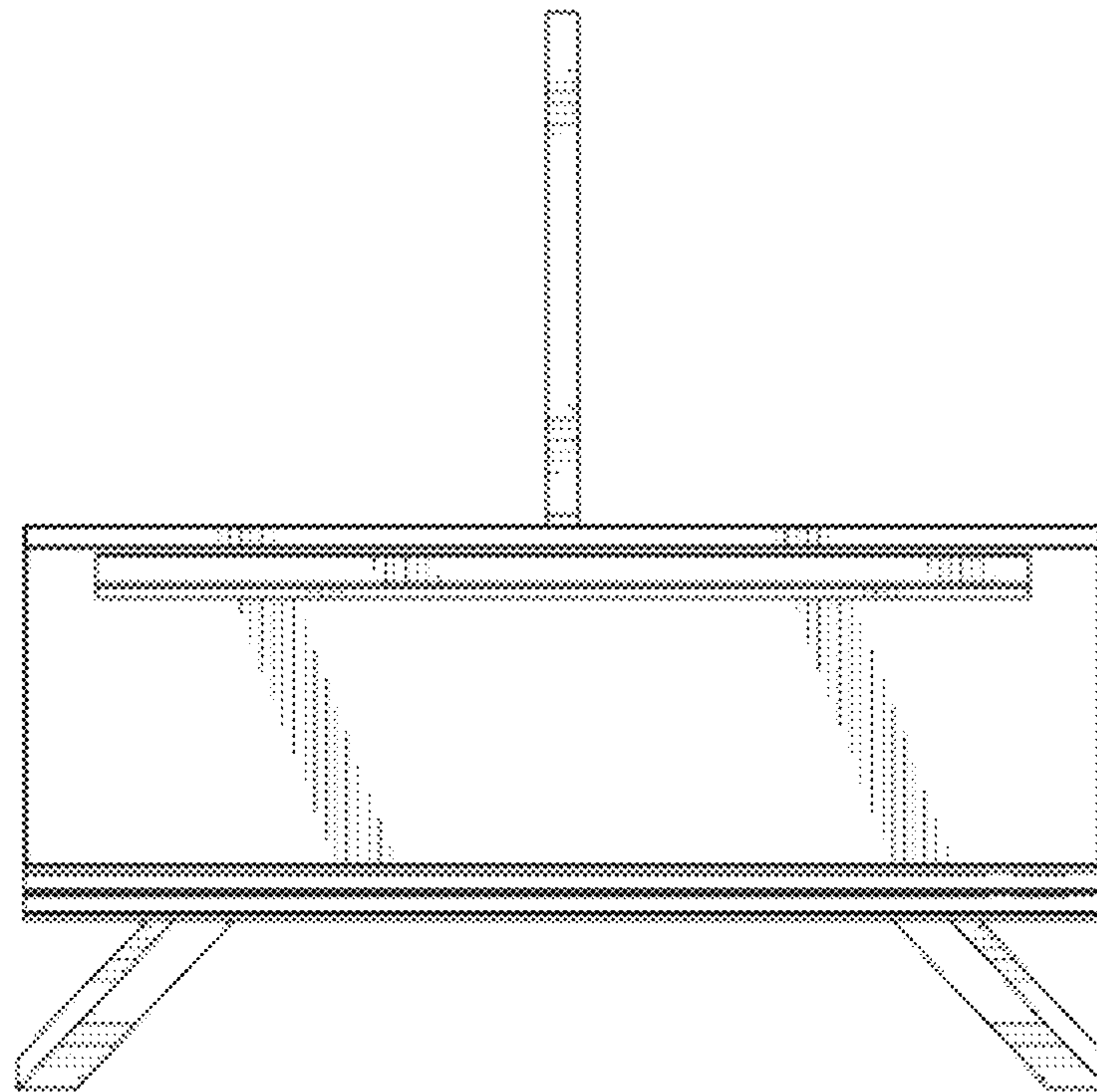
2.4



2.5



2.6



2.7

