



US00D916963S

(12) **United States Design Patent**
Park et al.

(10) **Patent No.:** **US D916,963 S**
(45) **Date of Patent:** **** *Apr. 20, 2021**

- (54) **MEMO BOARD**
- (71) Applicant: **LIVEWORK Co., Ltd**, Seoul (KR)
- (72) Inventors: **Woo Yeol Park**, Seoul (KR); **Pill Won Kim**, Seoul (KR)
- (73) Assignee: **LIVEWORK Co., Ltd**, Seoul (KR)
- (*) Notice: This patent is subject to a terminal disclaimer.
- (**) Term: **15 Years**

2,051,677	A *	8/1936	Brodsky	B42F 5/00	40/124
2,104,366	A *	1/1938	Gossett	G09F 15/0006	40/611.03
2,319,910	A *	5/1943	Adler	G09F 7/08	40/618
2,697,293	A *	12/1954	Greenhut	G09F 7/08	40/618
2,886,907	A *	5/1959	Stephenson	A47G 1/06	40/124.2
3,722,120	A *	3/1973	Finkel	G09F 7/06	40/618
4,171,584	A *	10/1979	Kaiser	G09F 7/10	40/109

(Continued)

- (21) Appl. No.: **29/676,928**
- (22) Filed: **Jan. 16, 2019**
- (30) **Foreign Application Priority Data**

Primary Examiner — Elizabeth A. Albert
(74) *Attorney, Agent, or Firm* — Patshegen IP LLC;
Moshe Pinchas

- Jan. 2, 2019 (KR) 30-2019-0000058
- (51) **LOC (13) Cl.** **19-06**
- (52) **U.S. Cl.**
USPC **D19/113**
- (58) **Field of Classification Search**
USPC D19/113, 114, 81, 88, 26-33; D6/310, D6/311; D7/698; D20/10, 19, 39, 40, D20/41, 42; D14/341, 440
CPC B43L 1/00; B43L 1/008; B43L 1/08; B43L 1/04; B43L 5/00; B43L 5/02; B43L 5/002; B43L 5/005; B43L 5/007; B42F 9/001; B42F 9/002; B42F 9/004; B42F 9/005; B42F 9/007; B42F 9/008; G09F 15/00; G09F 15/0006; G09F 15/0012; G09F 1/12; G09F 7/00; B44D 3/18; B44D 3/185
See application file for complete search history.

(57) **CLAIM**

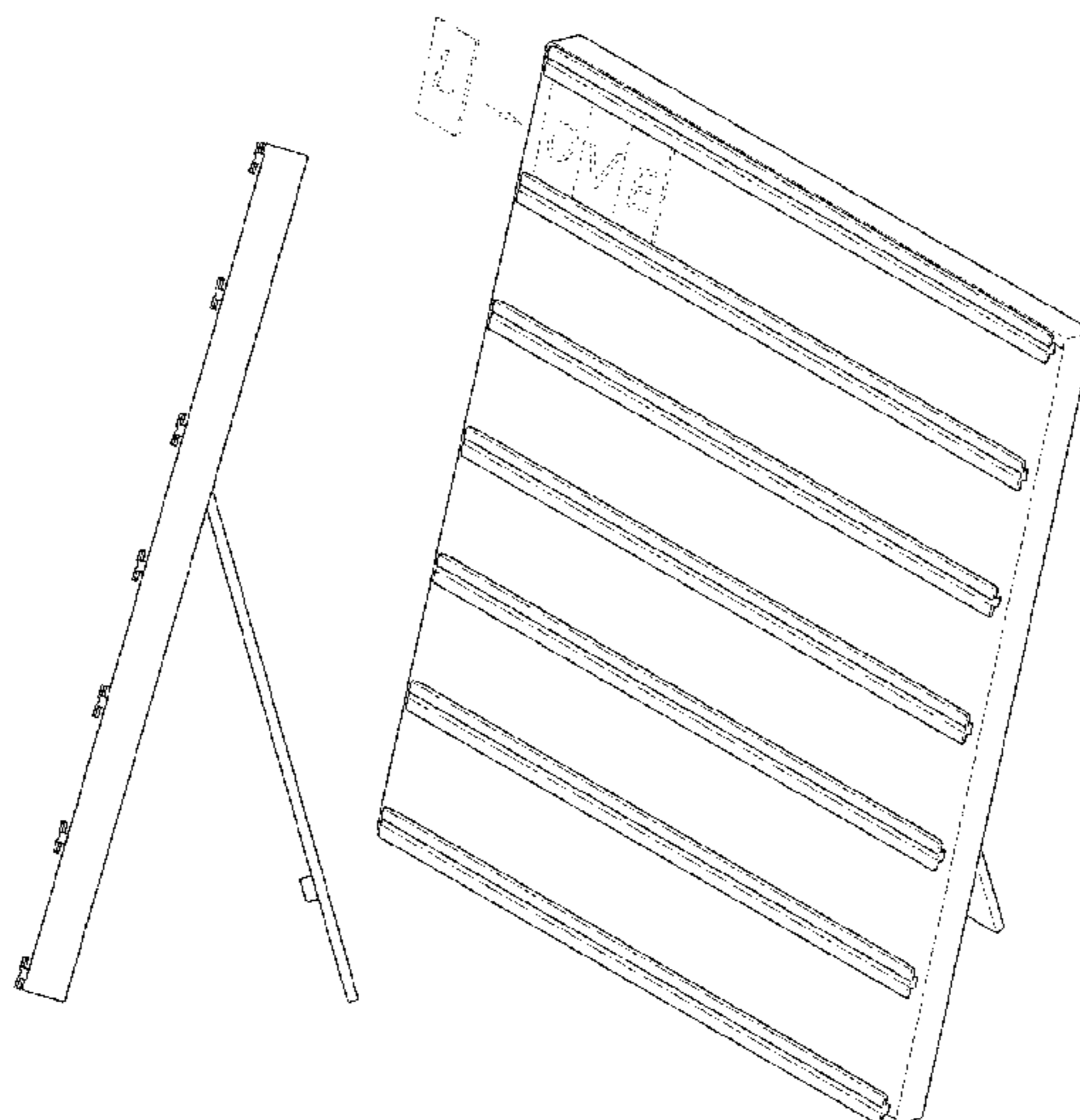
The ornamental design for a memo board, as shown and described.

DESCRIPTION

FIG. 1 is a top, front, right side perspective view of a memo board;
FIG. 2 is a front elevation view thereof;
FIG. 3 is a rear elevation view thereof;
FIG. 4 is a left side elevation view thereof;
FIG. 5 is a right side elevation view thereof;
FIG. 6 is a top elevation view thereof;
FIG. 7 is a bottom elevation view thereof;
FIG. 8 is a top, rear, left side perspective view thereof, and, FIG. 9 is another perspective view thereof shown in use. The broken lines in FIG. 9 are included for the purpose of showing features that form no part of the claimed design.

- (56) **References Cited**
U.S. PATENT DOCUMENTS
1,190,069 A * 7/1916 Abernethy G09F 7/08 40/618
1,478,511 A * 12/1923 Fetters G09F 1/12 40/617

1 Claim, 8 Drawing Sheets



(56)

References Cited

U.S. PATENT DOCUMENTS

4,291,798 A * 9/1981 Transport A47G 1/141
 206/45.24
 4,367,604 A * 1/1983 Porter, II G09F 7/10
 40/564
 4,553,345 A * 11/1985 Bercier G09F 13/06
 40/564
 D284,589 S * 7/1986 James D20/42
 4,805,783 A * 2/1989 Mayer A47F 5/0846
 211/189
 D310,388 S * 9/1990 Crawford D20/10
 4,991,334 A * 2/1991 Amundsen G09F 7/10
 40/568
 D316,346 S * 4/1991 Jackson D6/300
 5,347,736 A * 9/1994 Kanigan G09F 13/04
 362/812
 D356,825 S * 3/1995 Krawitz D19/113
 5,588,238 A * 12/1996 Visocky G09F 7/10
 40/575
 5,636,463 A * 6/1997 Sharon G09F 7/10
 40/568
 D384,108 S * 9/1997 Rinicella D20/10
 5,931,301 A * 8/1999 Hadden A47F 7/163
 206/449
 D478,237 S * 8/2003 Houle D6/311
 8,059,087 B2 * 11/2011 Chou H04N 1/00251
 345/104
 D720,813 S * 1/2015 Stenfors D20/43
 9,483,083 B1 * 11/2016 Zaloom G06F 1/1679
 9,526,330 B2 * 12/2016 Weijian A47F 5/105
 9,898,941 B2 * 2/2018 White G09F 7/18
 D822,113 S * 7/2018 Deng D20/10
 D855,106 S * 7/2019 Morita D19/113

* cited by examiner

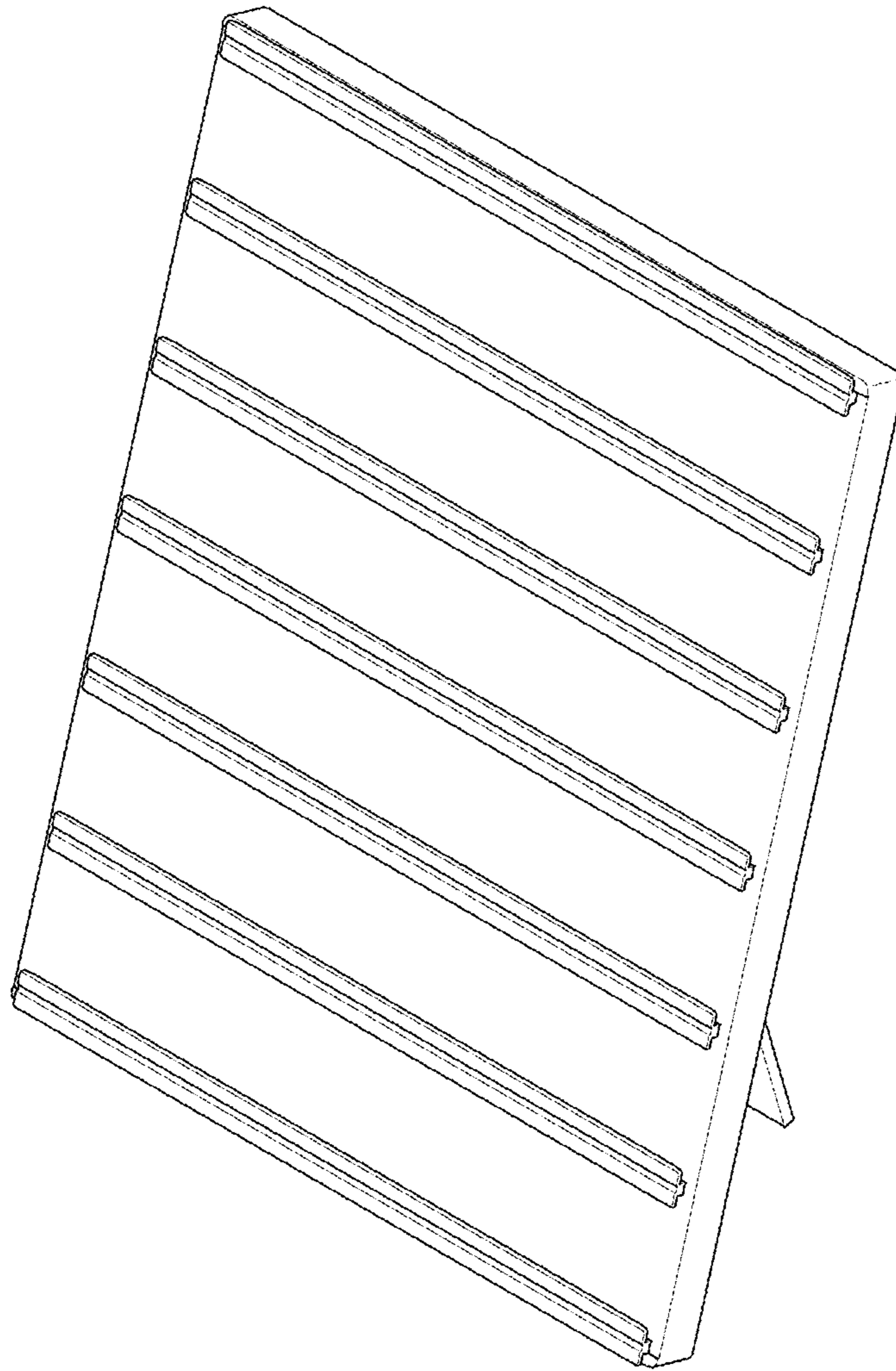


FIG 1

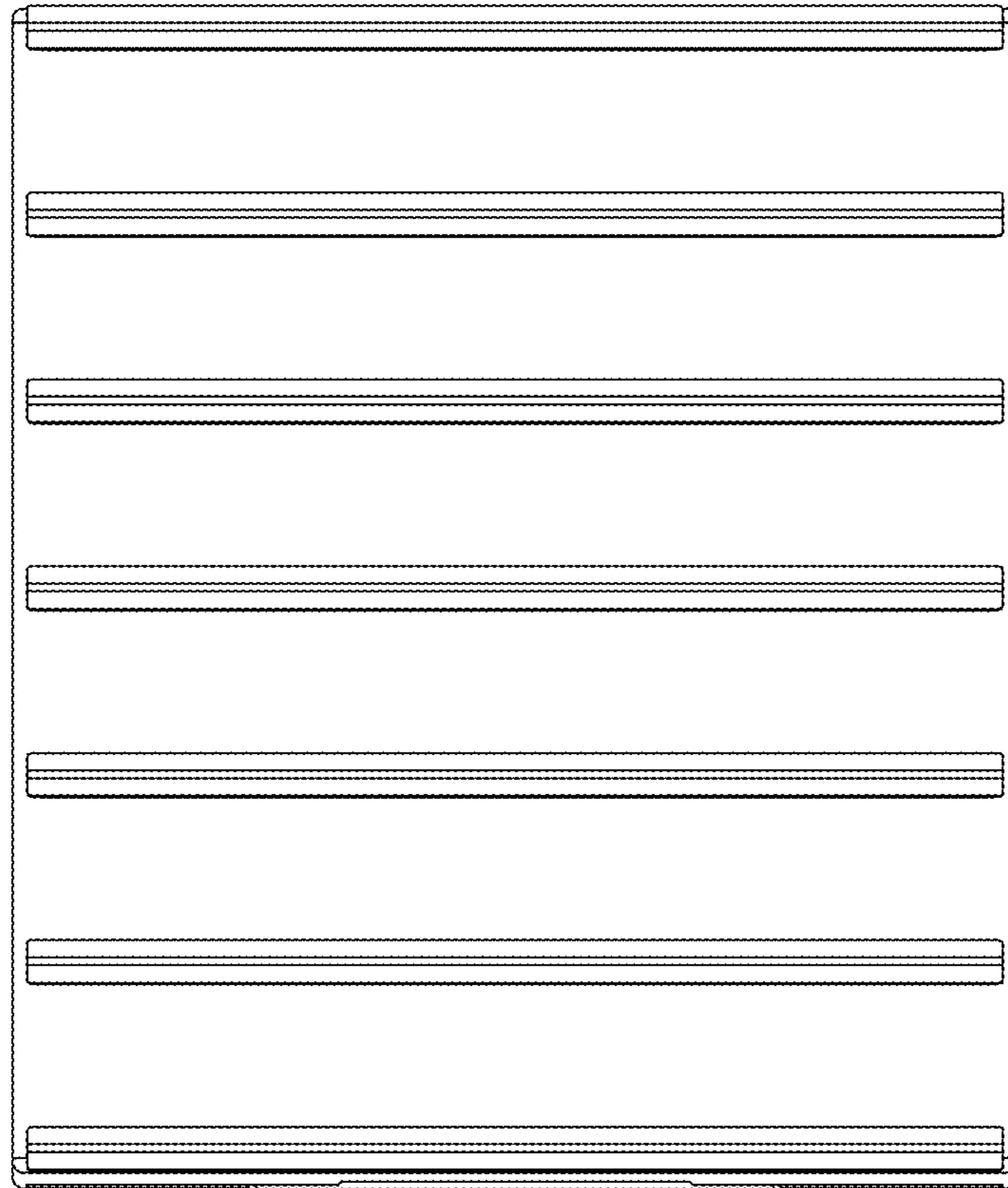


FIG 2

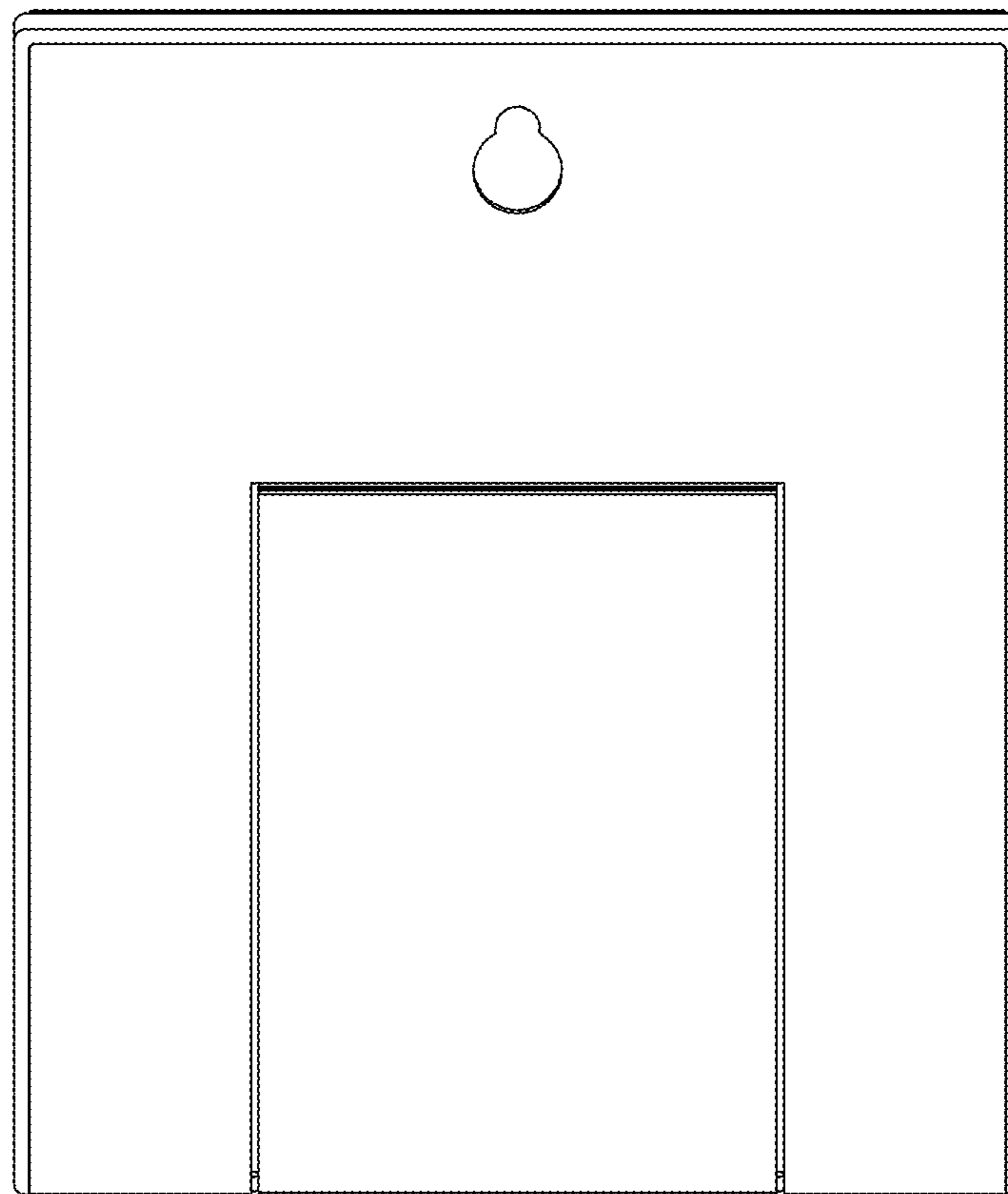


FIG 3

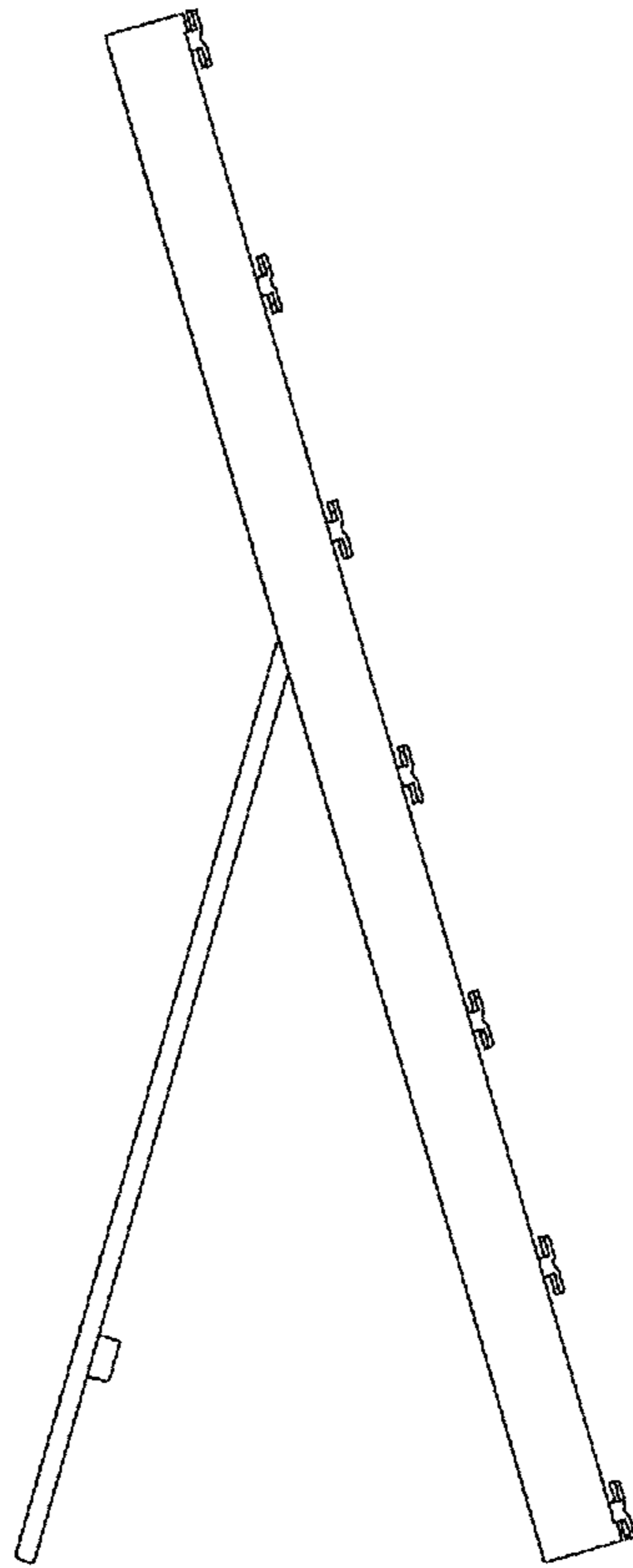


FIG 4

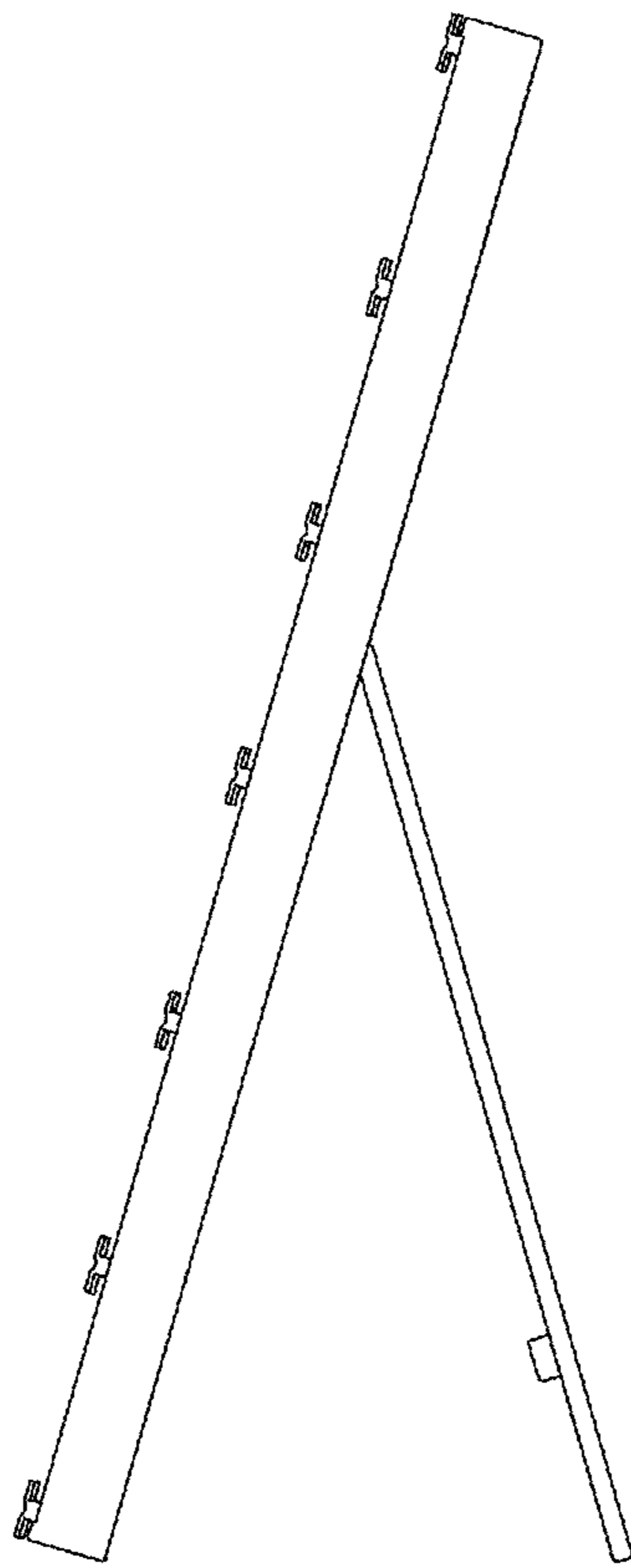


FIG 5

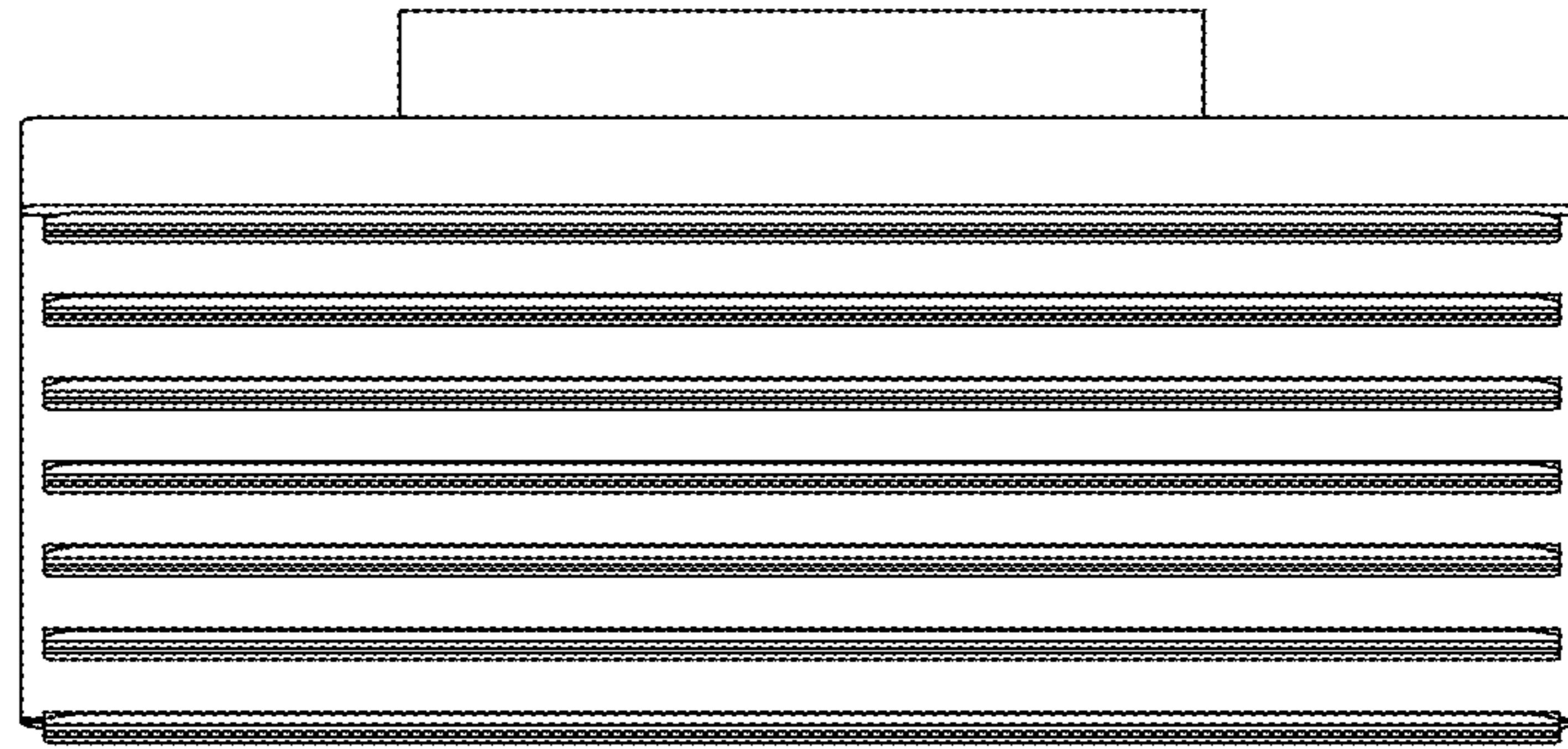


FIG 6

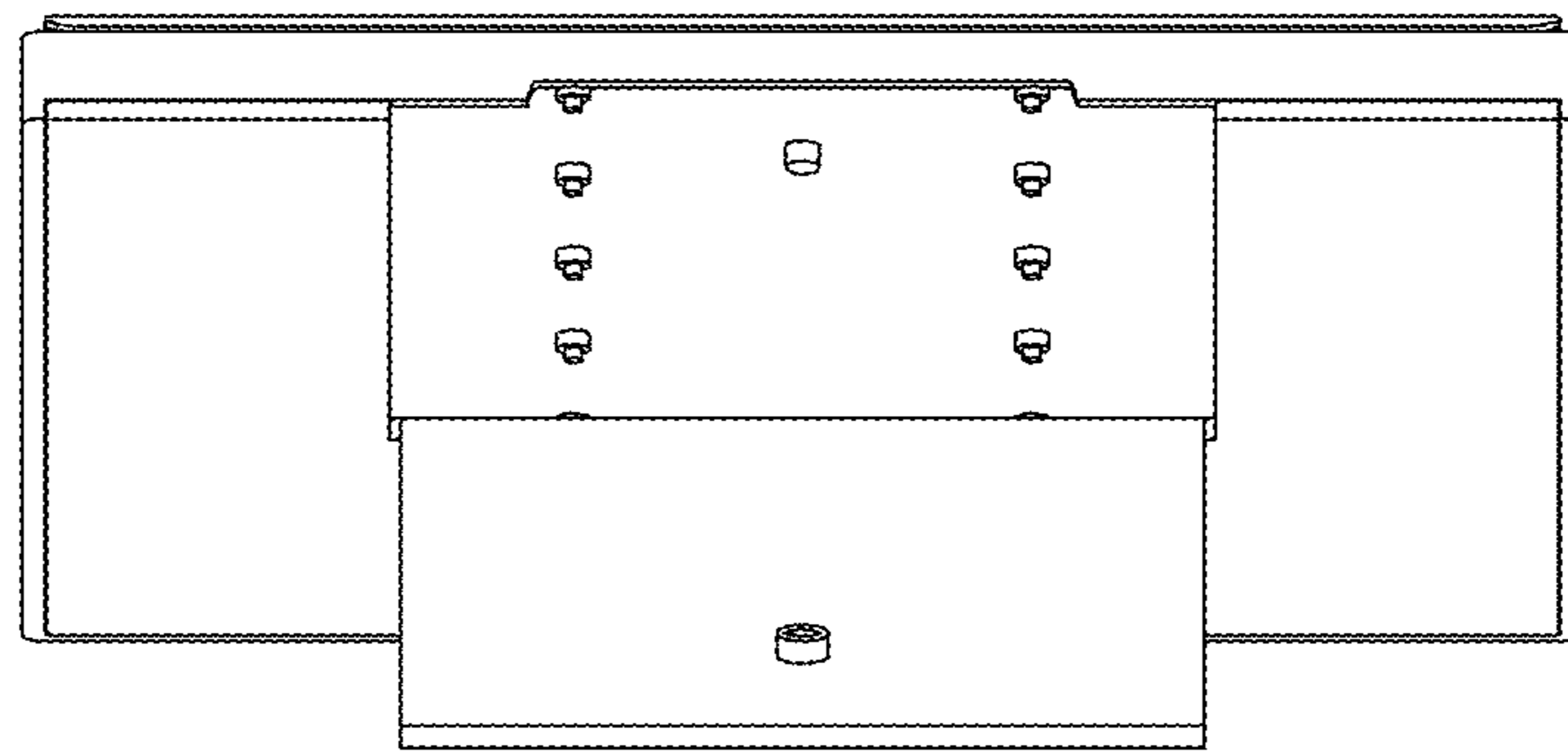


FIG 7

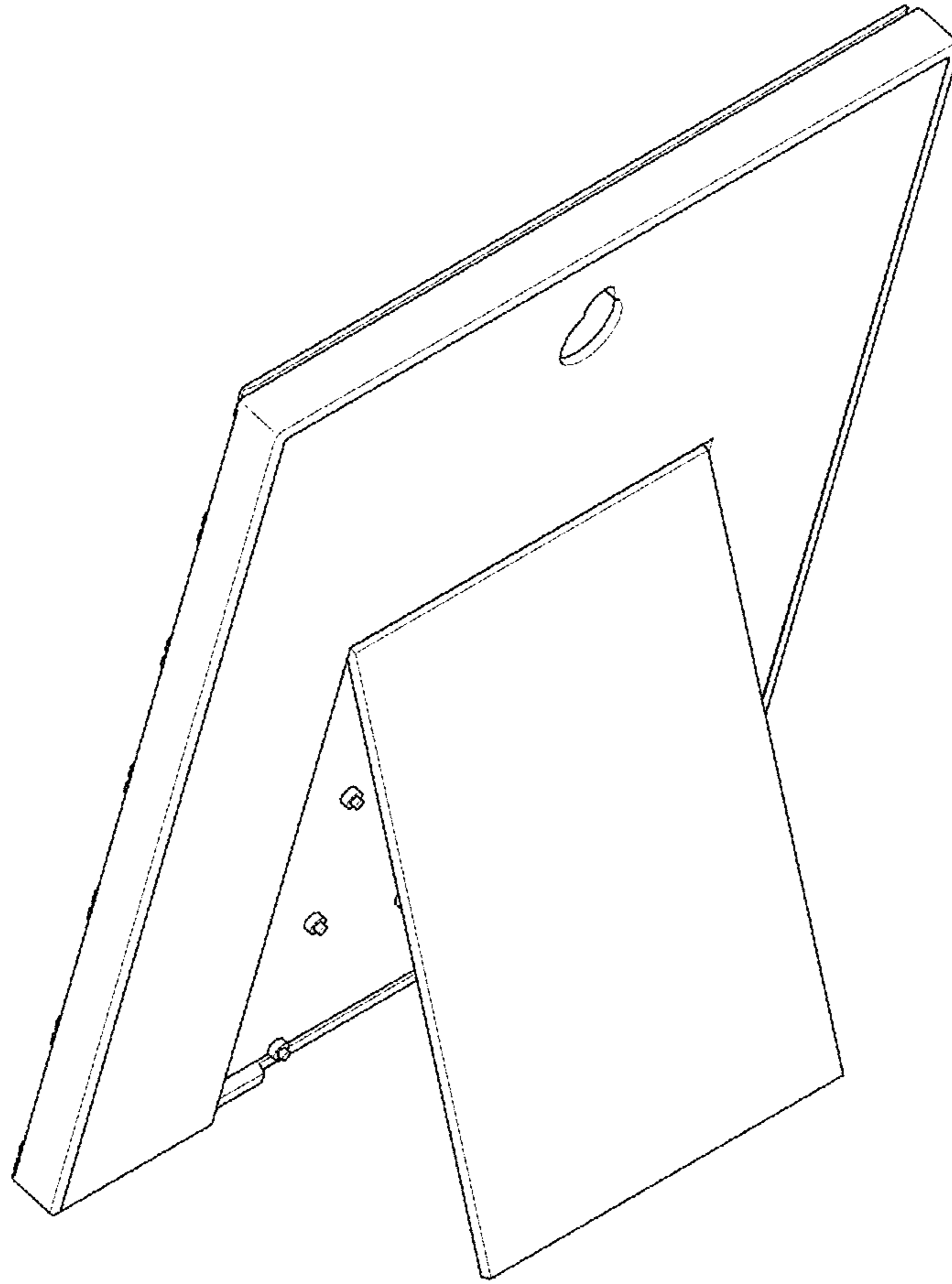


FIG 8

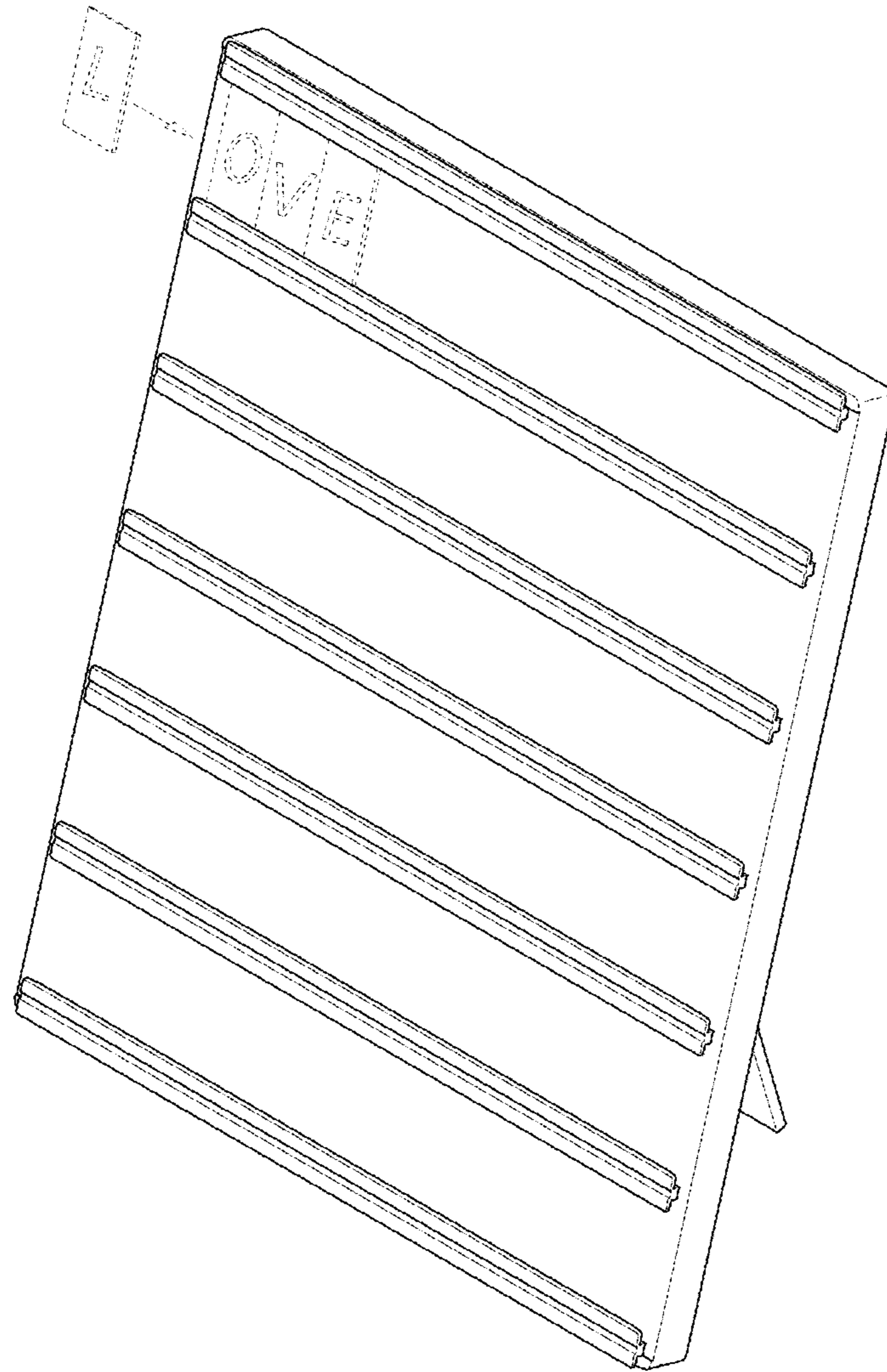


FIG 9