



US00D916960S

(12) **United States Design Patent**  
**Jin et al.**

(10) **Patent No.:** **US D916,960 S**  
(45) **Date of Patent:** **\*\* Apr. 20, 2021**

(54) **APPLICATOR FOR WIPES**  
(71) Applicant: **Kinnos Inc.**, Brooklyn, NY (US)  
(72) Inventors: **Katherine Jin**, New York, NY (US);  
**Jason Kang**, New York, NY (US);  
**Kevin Tyan**, Boston, MA (US); **Joseph W. Pruitt**, Athens, GA (US); **Jeffrey P. Broadrick**, Athens, GA (US); **Donald A. Muntner**, Hoschton, GA (US);  
**Noah McNeely**, Grayson, GA (US)

D586,047 S *	2/2009	Hartstock	.....	D28/7
D696,816 S *	12/2013	Kordulla	.....	D28/7
D719,023 S *	12/2014	Hu	.....	D9/449
D786,345 S *	5/2017	Kimura	.....	D18/56
D806,573 S *	1/2018	Sobel	.....	D9/734
D816,157 S *	4/2018	Ishizawa	.....	D18/56
D834,413 S *	11/2018	Tran	.....	D9/449
D850,495 S *	6/2019	Dubiel	.....	D15/28
D858,627 S *	9/2019	Campanini	.....	D18/50
D859,154 S *	9/2019	Skillin	.....	D9/449
D861,065 S *	9/2019	Chih	.....	D18/19
D862,588 S *	10/2019	Huang	.....	D18/50
D869,550 S *	12/2019	Yoshii	.....	D18/56
D893,592 S *	8/2020	Ishida	.....	D18/19

(73) Assignee: **Kinnos Inc.**, Brooklyn, NY (US)

\* cited by examiner

(\*\*) Term: **15 Years**

*Primary Examiner* — Zenia I Bennett

(21) Appl. No.: **29/680,685**

(74) *Attorney, Agent, or Firm* — Elmore Patent Law Group, P.C.; Carolyn Elmore; Joseph Zucchero

(22) Filed: **Feb. 19, 2019**

(51) **LOC (13) Cl.** ..... **18-02**

(57) **CLAIM**

(52) **U.S. Cl.**  
USPC ..... **D18/56; D9/434**

The ornamental design for a applicator for wipes, as shown and described.

(58) **Field of Classification Search**  
USPC ..... D28/7, 8, 20, 76, 85, 99; D24/119;  
D19/163, 173, 186, 66, 70, 71; D9/434,  
D9/435, 447, 449, 518, 734; D6/512,  
D6/515, 518, 519; D18/14, 15, 18, 19,  
D18/40, 43, 50, 56  
CPC ..... A45D 2200/10; A45D 2200/1018; A45D  
2200/1036; A61M 35/00; A61M 35/003  
See application file for complete search history.

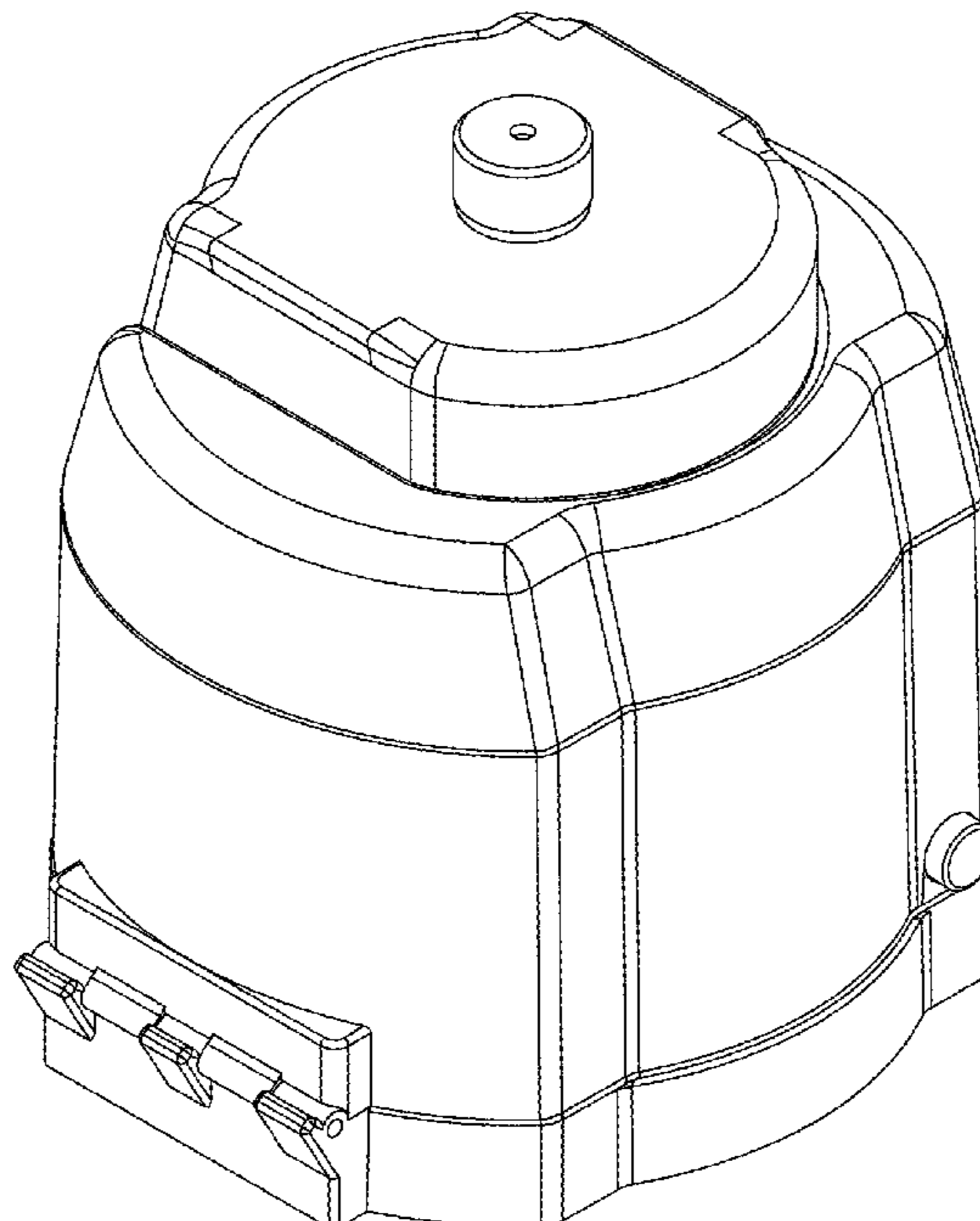
**DESCRIPTION**

FIG. 1 is a top, rear, and left side perspective view of an applicator for wipes showing my new design;  
FIG. 2 is a rear view thereof;  
FIG. 3 is a front view thereof;  
FIG. 4 is a right side view thereof;  
FIG. 5 is a left side view thereof;  
FIG. 6 is a top view thereof; and,  
FIG. 7 is a bottom view thereof.  
The dash-dash broken lines illustrate portions of the applicator for wipes or environment that form no part of the claimed design.

(56) **References Cited**  
U.S. PATENT DOCUMENTS

D482,390 S *	11/2003	Ueno	.....	D18/56
D485,859 S *	1/2004	Ueno	.....	D18/56
D585,158 S *	1/2009	Hartstock	.....	D28/7

**1 Claim, 7 Drawing Sheets**



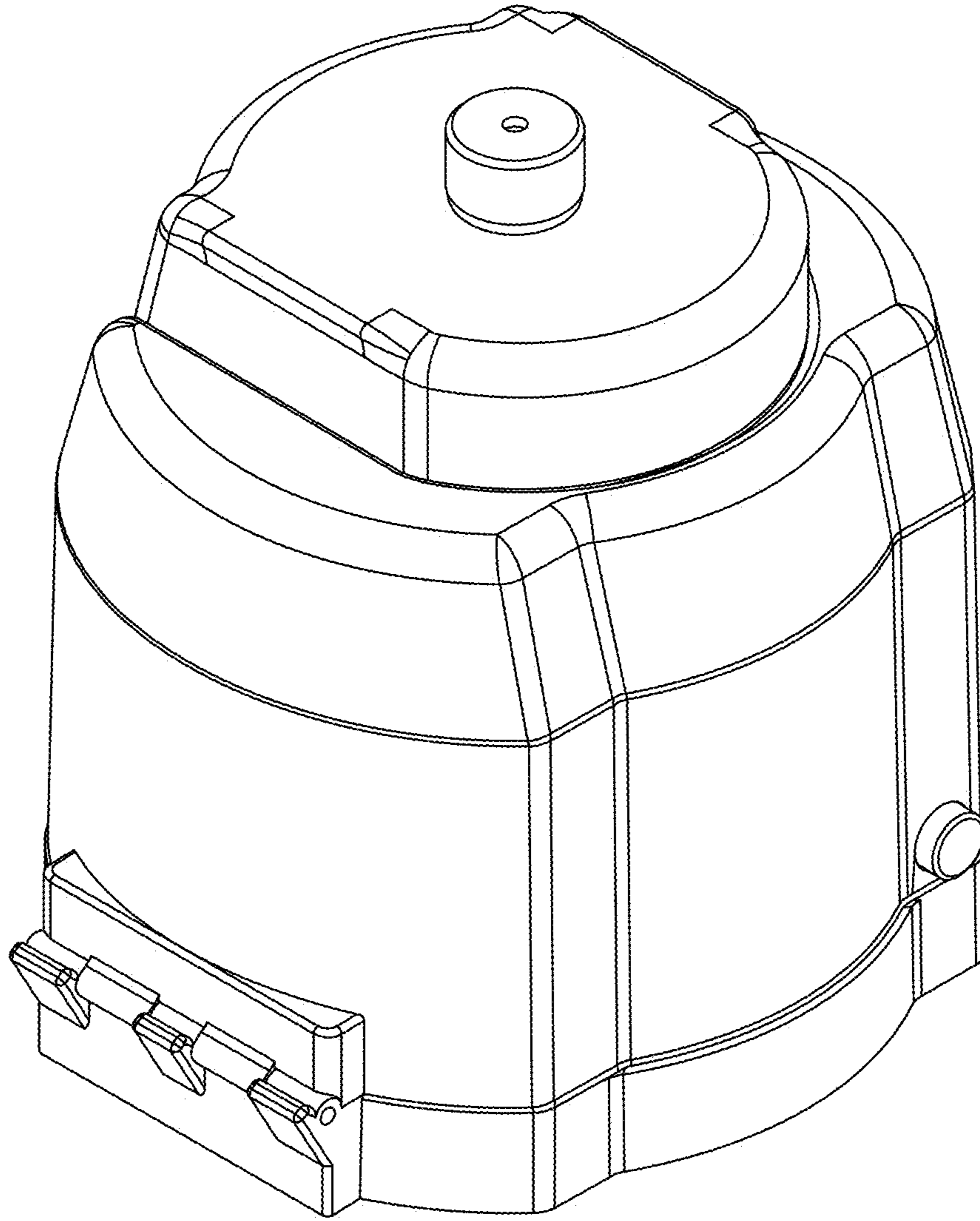


FIG. 1

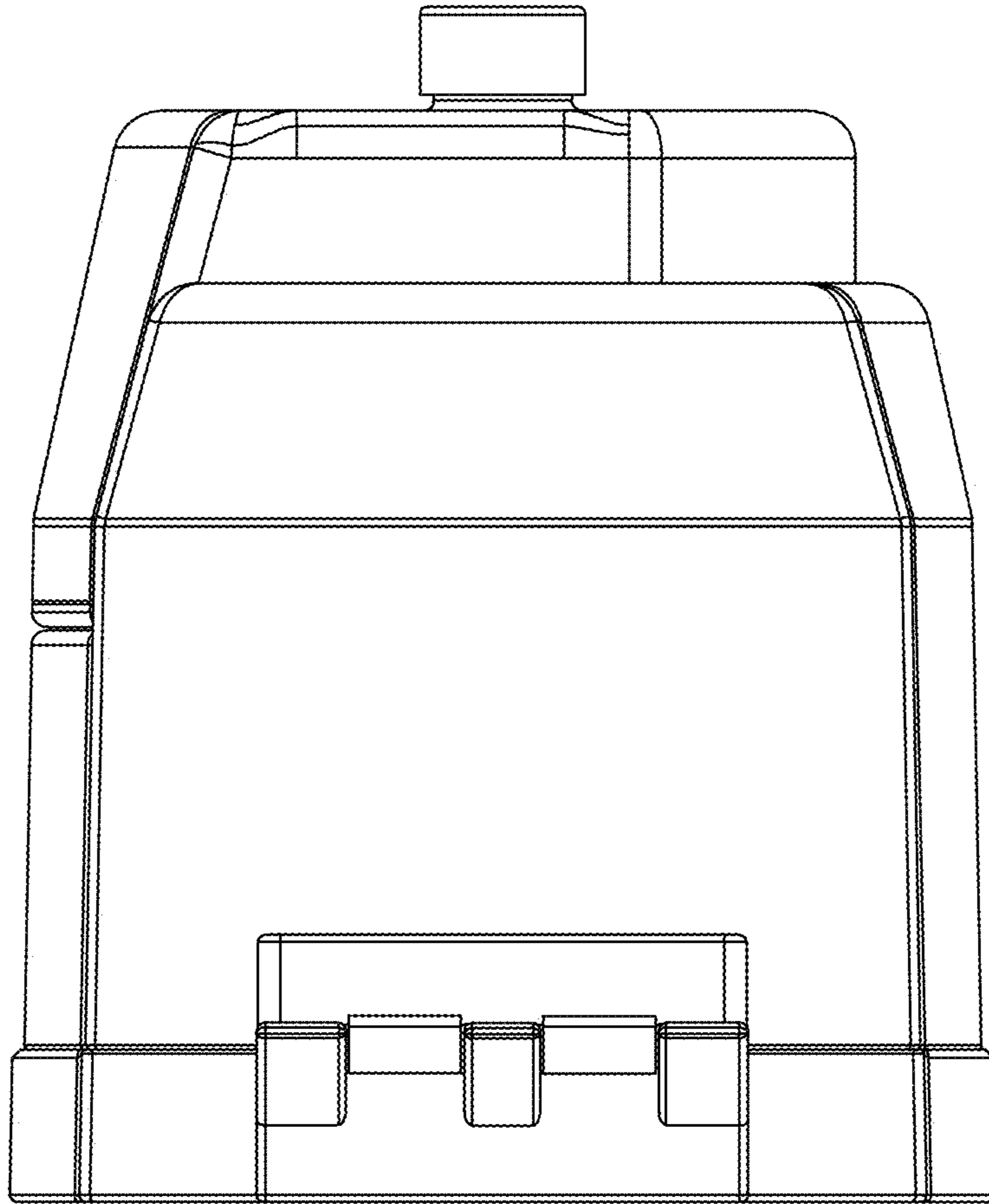


FIG. 2

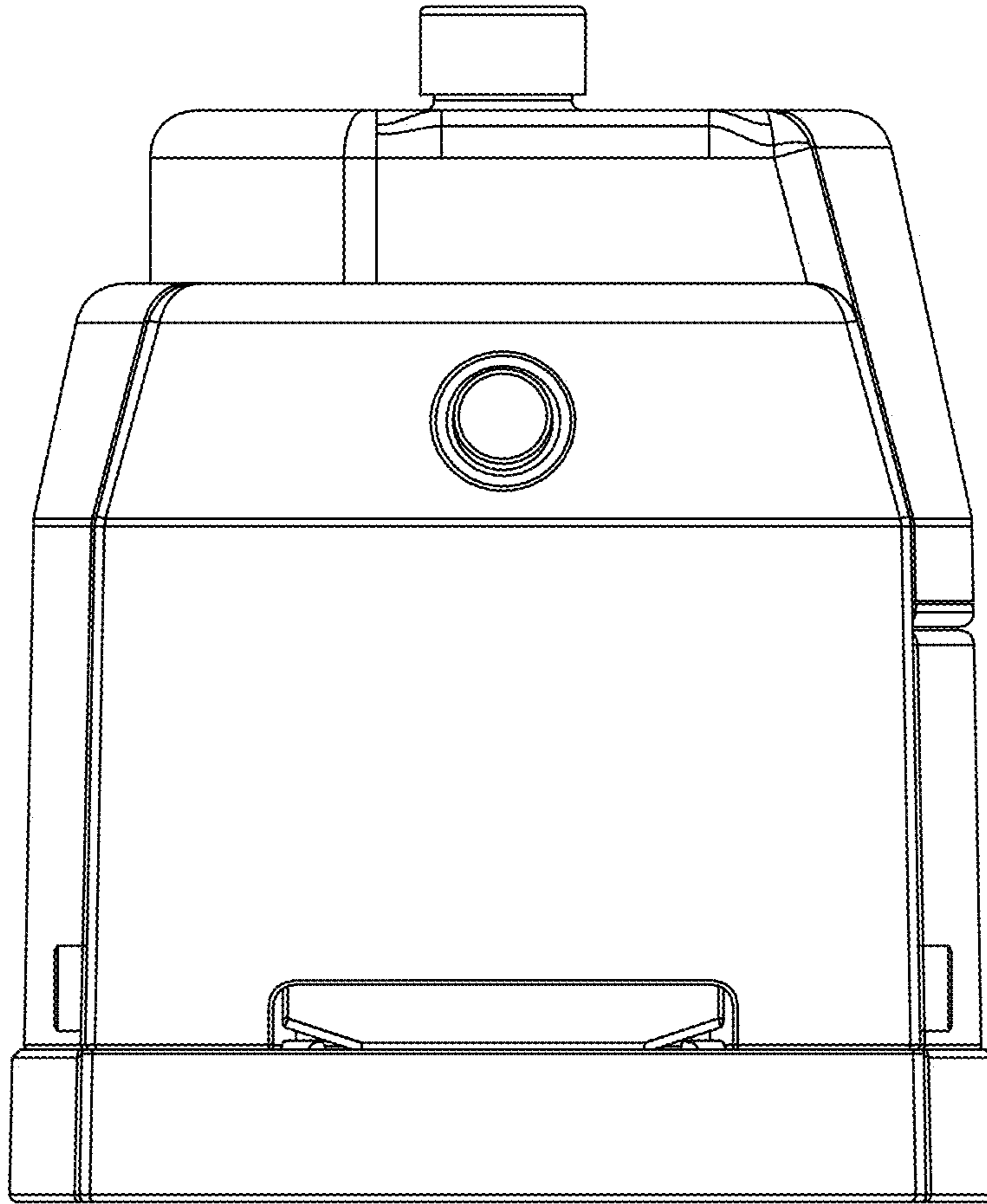


FIG. 3

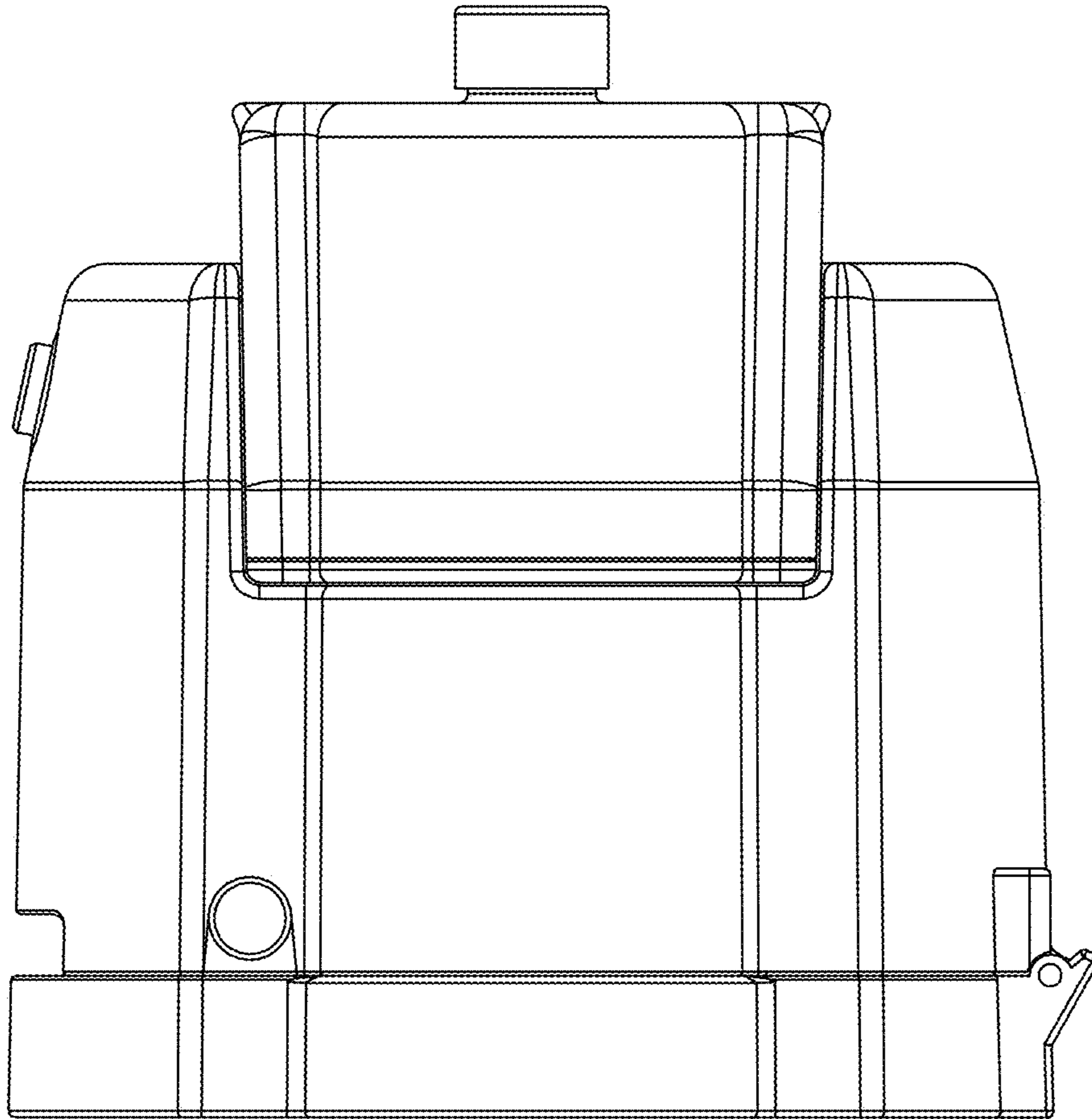


FIG. 4

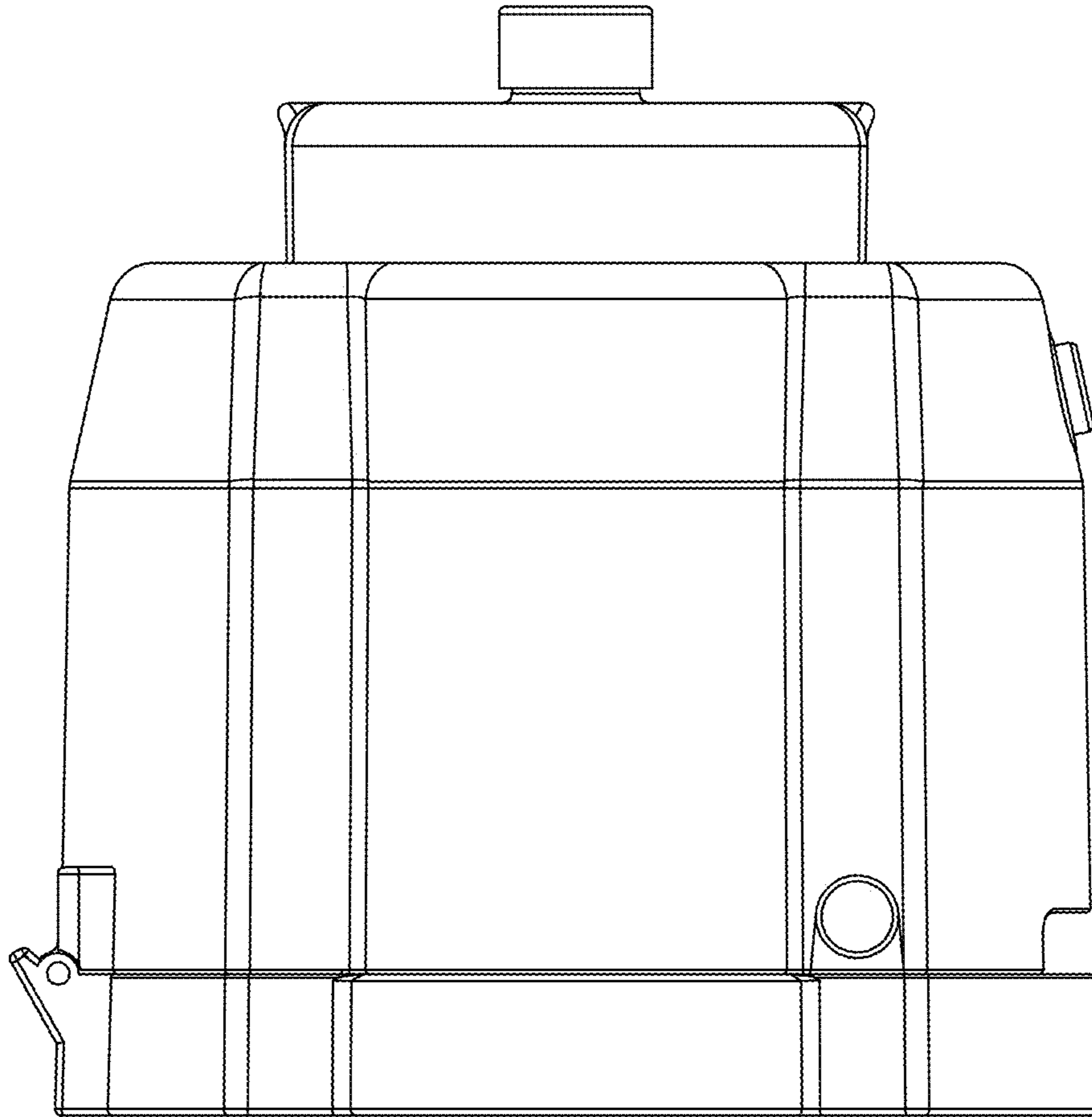


FIG. 5

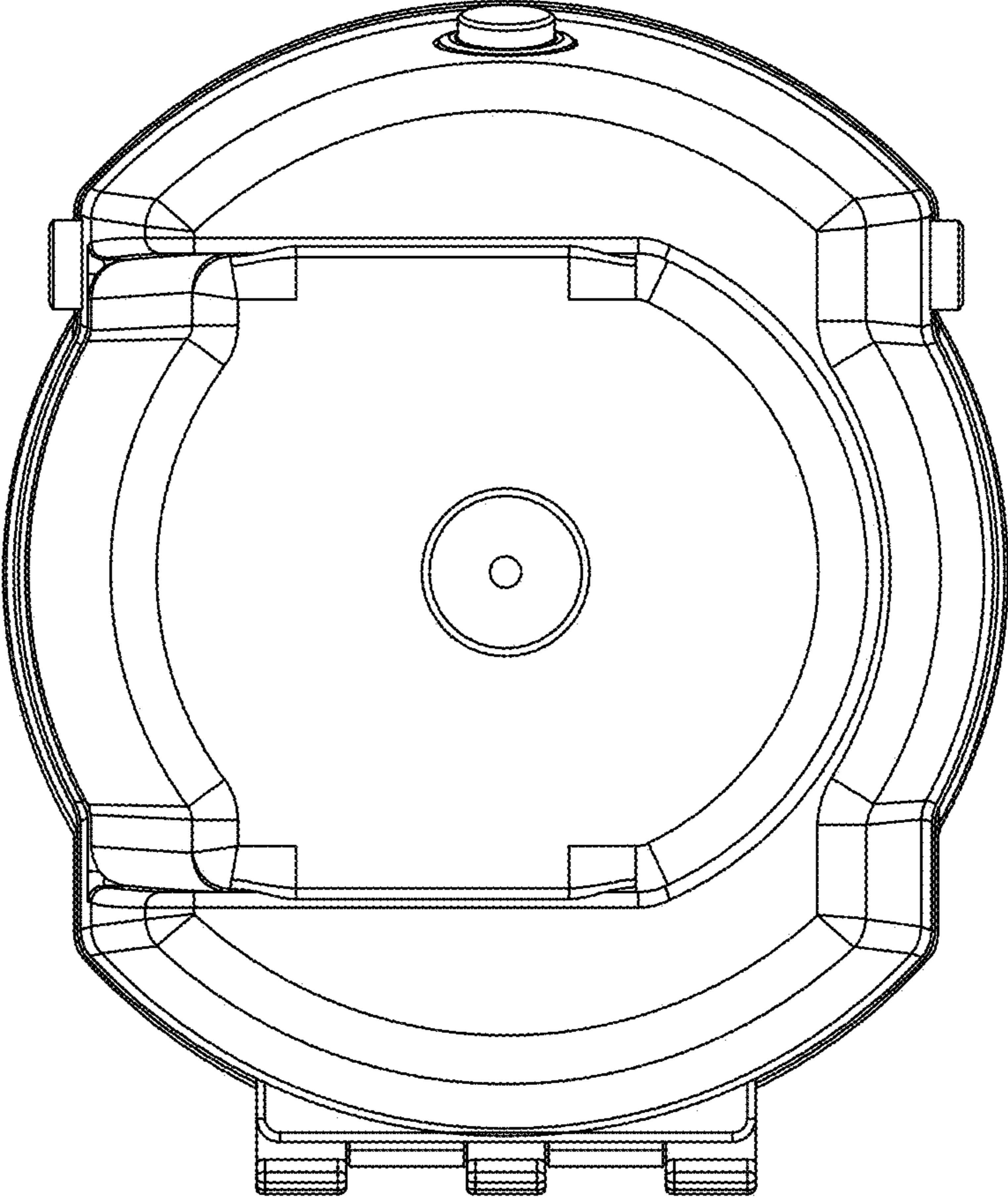


FIG. 6

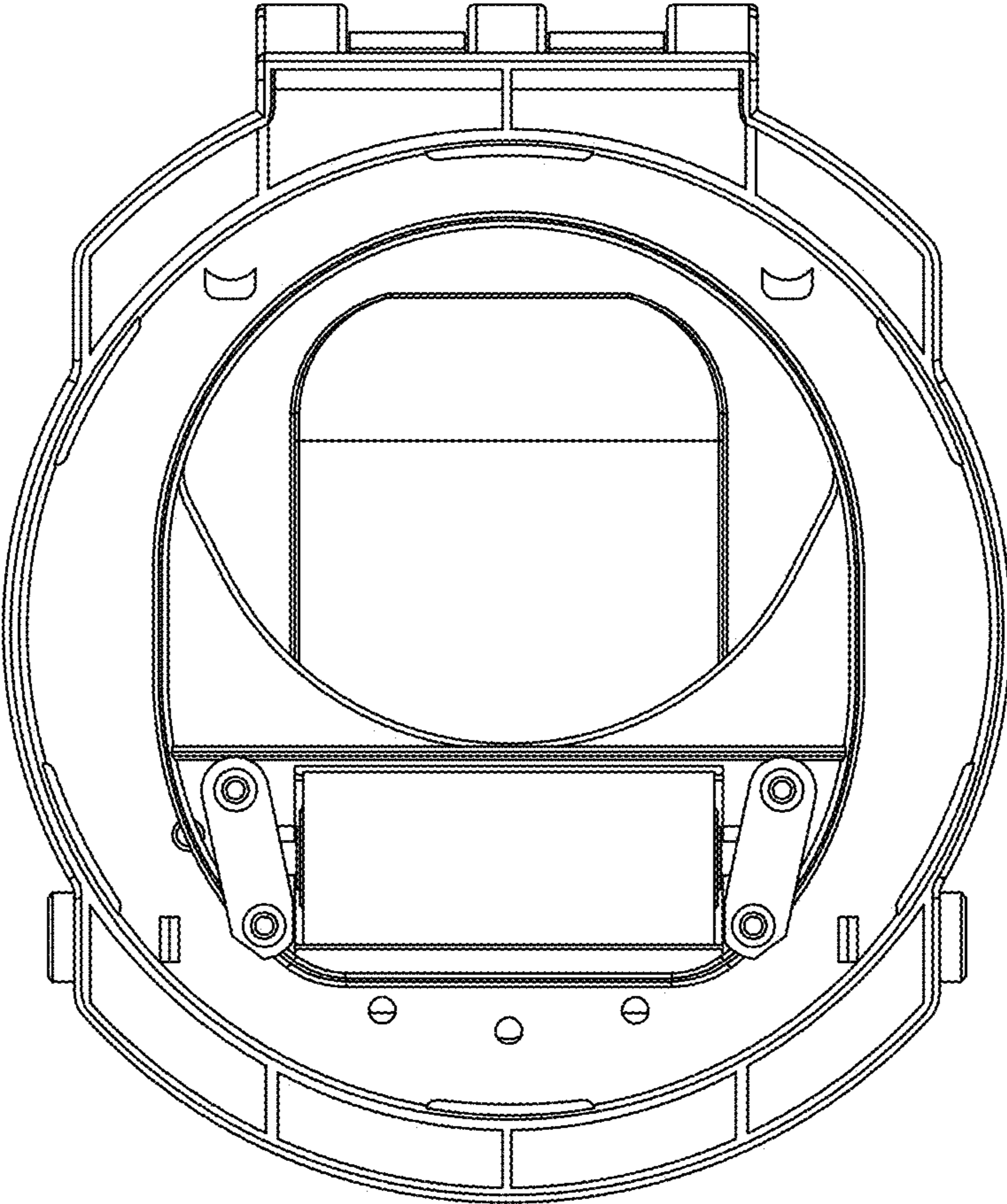


FIG. 7