



US00D916955S

(12) **United States Design Patent**  
**Lee et al.**

(10) **Patent No.:** **US D916,955 S**  
(45) **Date of Patent:** **\*\* Apr. 20, 2021**

(54) **CARD PAYMENT TERMINAL**  
(71) Applicant: **BLUEBIRD INC.**, Seoul (KR)  
(72) Inventors: **Jang Won Lee**, Seoul (KR); **Jung Sik Park**, Gwangju-si (KR); **Chang shin Gwak**, Seoul (KR)  
(73) Assignee: **BLUEBIRD INC.**  
(\*\*) Term: **15 Years**

D624,114 S \* 9/2010 Ausems ..... G07F 7/0886  
D18/4.6  
D626,550 S \* 11/2010 Julien ..... D14/341  
D638,012 S \* 5/2011 Tian ..... D14/341  
D638,465 S \* 5/2011 Goldin ..... D18/4.6  
D681,036 S \* 4/2013 Taunay da Graca Couto .....  
D14/385  
D716,369 S \* 10/2014 Park ..... D18/4.6  
D716,370 S \* 10/2014 Park ..... D18/4.6  
D716,371 S \* 10/2014 Lee ..... D18/4.6  
D729,867 S \* 5/2015 Lee ..... D18/4.6

(Continued)

(21) Appl. No.: **29/705,910**  
(22) Filed: **Sep. 16, 2019**  
(30) **Foreign Application Priority Data**

Mar. 14, 2019 (KR) ..... 30-2019-001578

(51) **LOC (13) Cl.** ..... **18-01**  
(52) **U.S. Cl.**  
USPC ..... **D18/4.6; D14/385**

(58) **Field of Classification Search**  
USPC ..... D18/4.4, 4.5, 4.6, 2, 11, 50, 14, 19-21,  
D18/54, 54.1, 99; D10/46, 61, 62, 70,  
D10/104.1, 104.2, 106.2, 106.6, 65, 66;  
D20/1, 8, 9; D14/496, 299, 338, 339,  
D14/341, 346, 383, 385, 386, 440, 507,  
D14/137, 138 R, 138 AA, 138 G;  
D99/28, 43  
CPC ..... H04W 8/22; H04W 52/0225; H04W  
52/0254; G06Q 20/00; G06Q 20/08;  
G06Q 20/20; G06Q 20/204; G07F  
7/0873; G07F 7/088; G07F 7/0886; G07F  
7/0893; G07F 7/025  
See application file for complete search history.

(56) **References Cited**  
U.S. PATENT DOCUMENTS  
D447,136 S \* 8/2001 Groves ..... D14/336  
D570,402 S \* 6/2008 Henry ..... D18/4.6

**OTHER PUBLICATIONS**

Card payment terminal. KR 301035084.0000. (Design—© Questel) orbit.com. [online PDF] 5 pgs. Print Date Dec. 6, 2019 [Retrieved Dec. 3, 2020] <https://www.orbit.com/export/QPTUJ214/pdf2/27d8b5ca-dd59-40c1-8cde-c19d5c262356-225014.pdf>.\*

*Primary Examiner* — Marie D. Fast Horse  
(74) *Attorney, Agent, or Firm* — Renaissance IP Law Group LLP

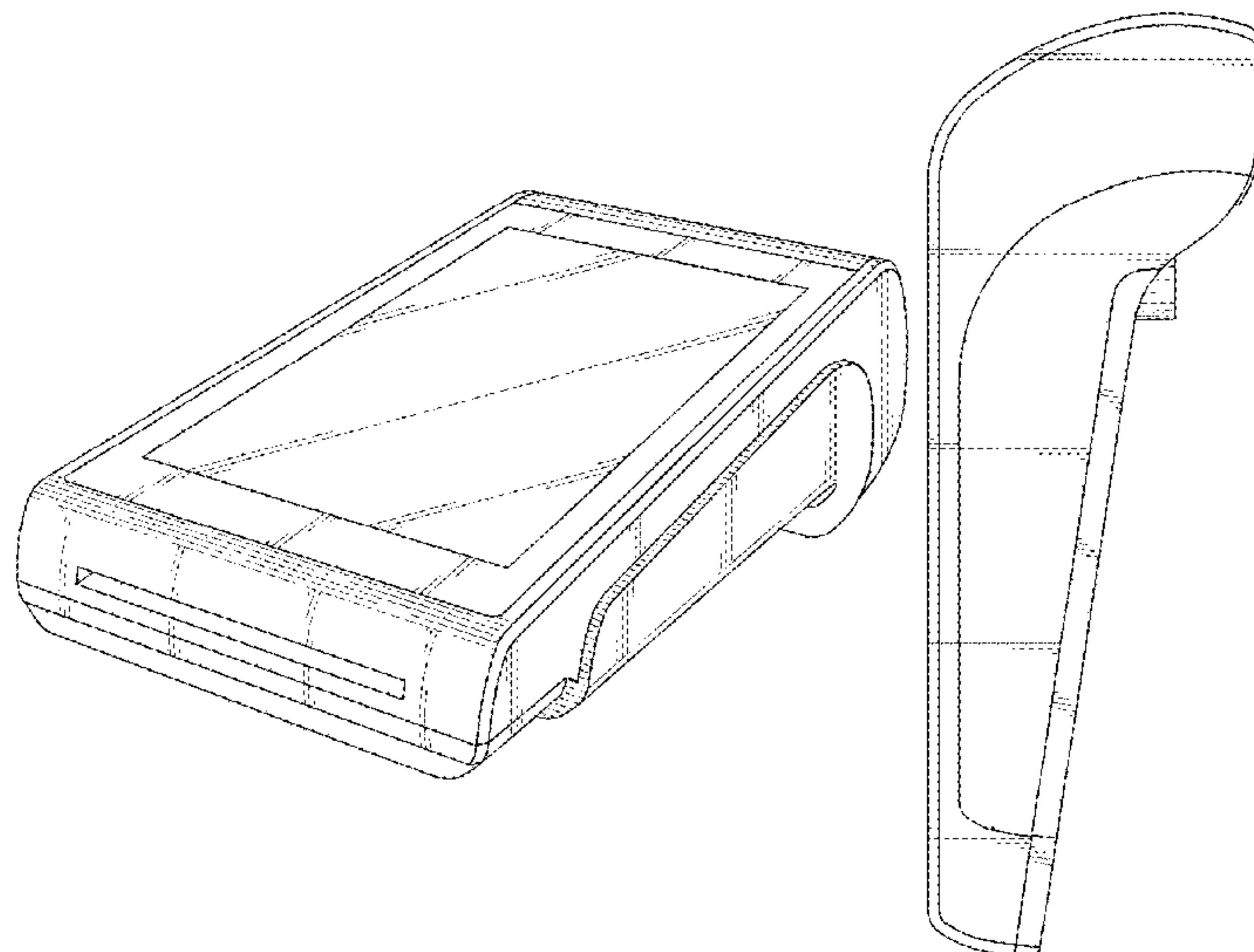
(57) **CLAIM**

The ornamental design for a card payment terminal, as shown and described.

**DESCRIPTION**

FIG. 1 is a front perspective view showing our new design for a card payment terminal;  
FIG. 2 is a front view thereof;  
FIG. 3 is a rear view thereof;  
FIG. 4 is a left side view thereof;  
FIG. 5 is a right side view thereof;  
FIG. 6 is a top plan view thereof;  
FIG. 7 is a bottom view thereof;  
FIG. 8 is a rear perspective view thereof; and,  
FIG. 9 is another rear perspective view illustrating the card payment terminal.  
The broken lines in the drawings depict portions of the card payment terminal that form no part of the claimed design.

**1 Claim, 9 Drawing Sheets**



(56)

**References Cited**

U.S. PATENT DOCUMENTS

D768,766 S \* 10/2016 Demange ..... D18/4.4  
D768,767 S \* 10/2016 Demange ..... D18/4.4  
D791,223 S \* 7/2017 Blanc ..... D14/385  
D798,378 S \* 9/2017 Kim ..... D18/4.6  
D844,047 S \* 3/2019 Yeruva ..... D18/4.6  
D851,697 S \* 6/2019 Qiu ..... D14/385  
D859,516 S \* 9/2019 Wang ..... D18/4.6  
D880,580 S \* 4/2020 Wang ..... D18/4.4  
D886,190 S \* 6/2020 Huang ..... D18/4.6  
2006/0273172 A1 \* 12/2006 Helez ..... G07G 1/0018  
235/439  
2009/0076921 A1 \* 3/2009 Nelson ..... G06Q 20/20  
705/16  
2010/0102127 A1 \* 4/2010 Bonnet ..... G06K 7/00  
235/439  
2016/0125703 A1 \* 5/2016 Berthiaud ..... G06K 7/084  
235/380

\* cited by examiner

FIG. 1

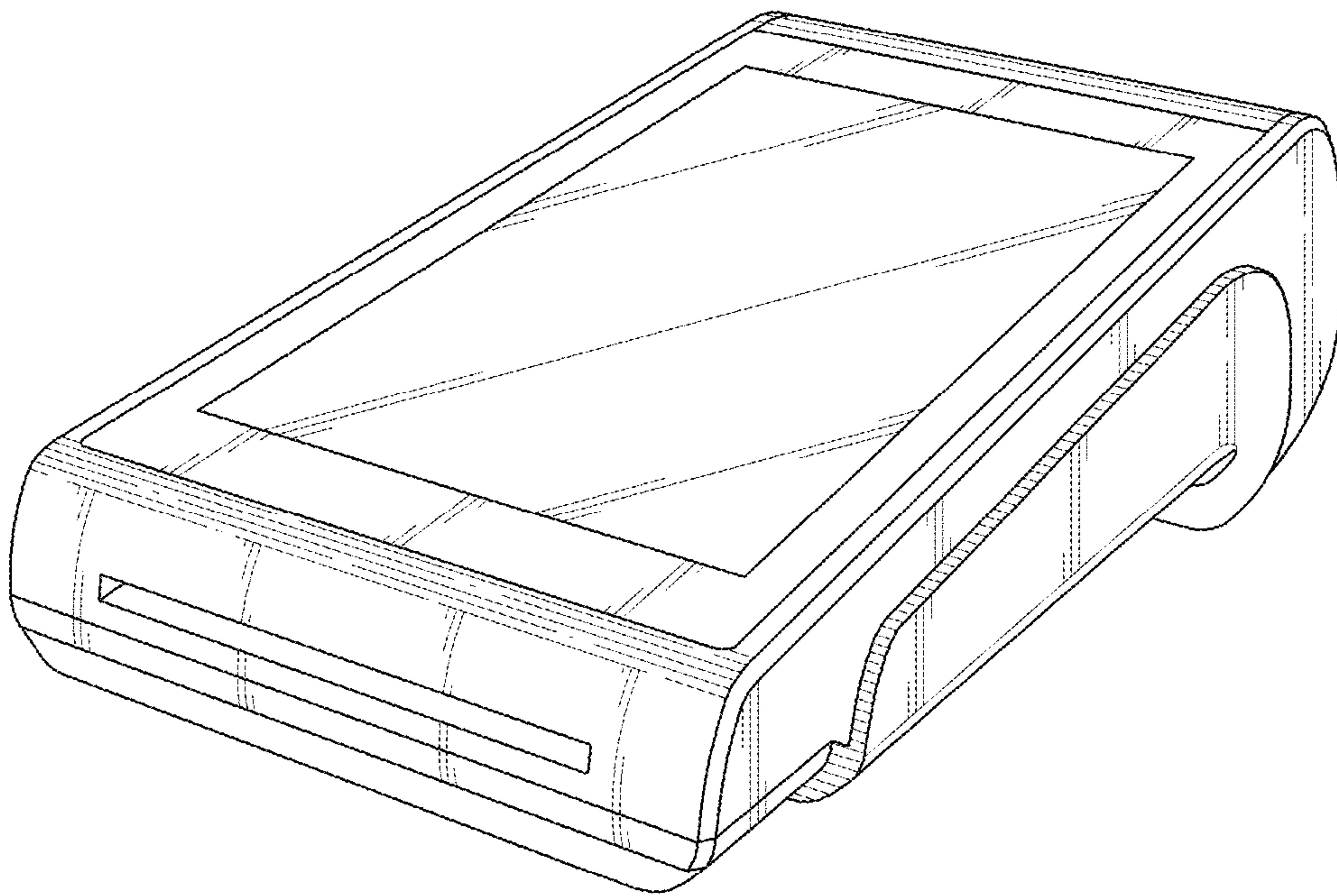


FIG. 2

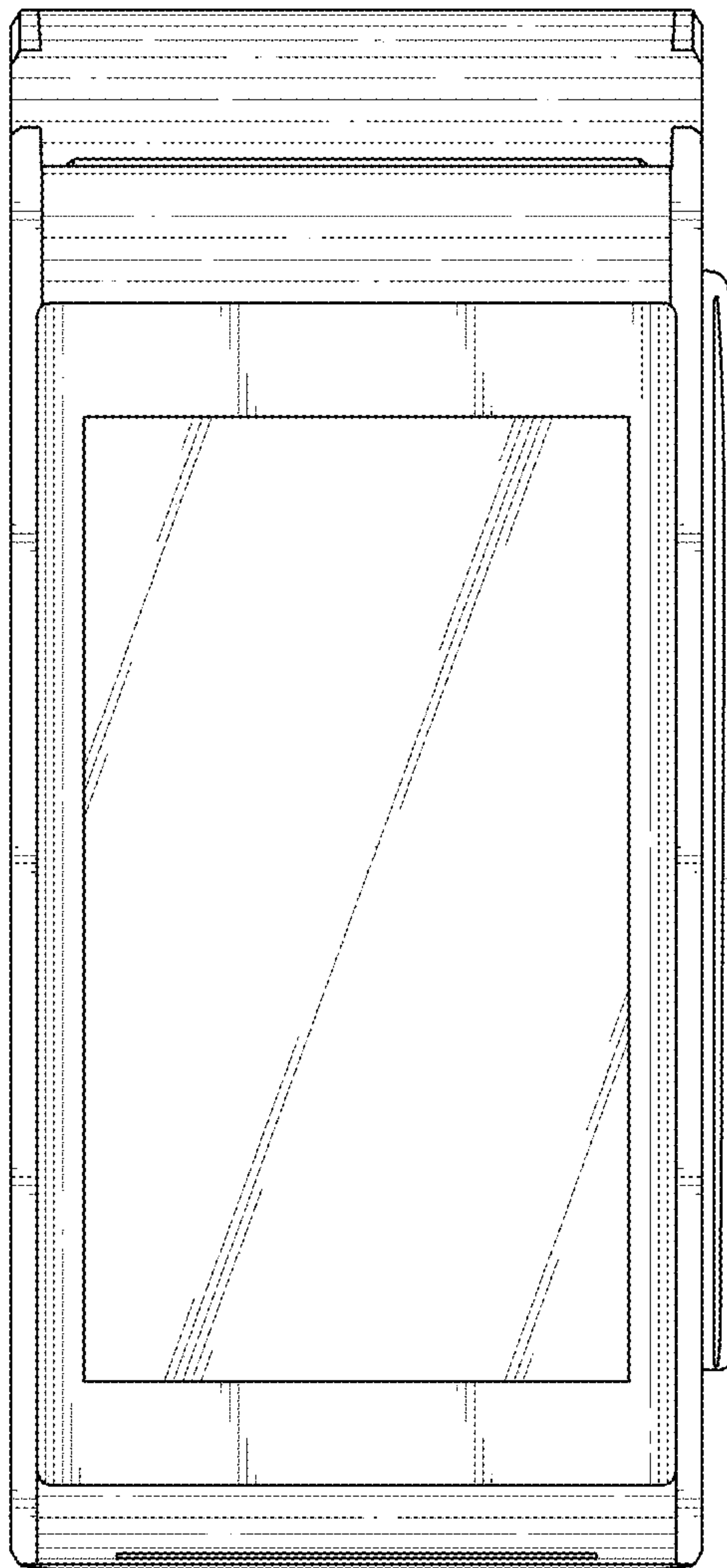


FIG. 3

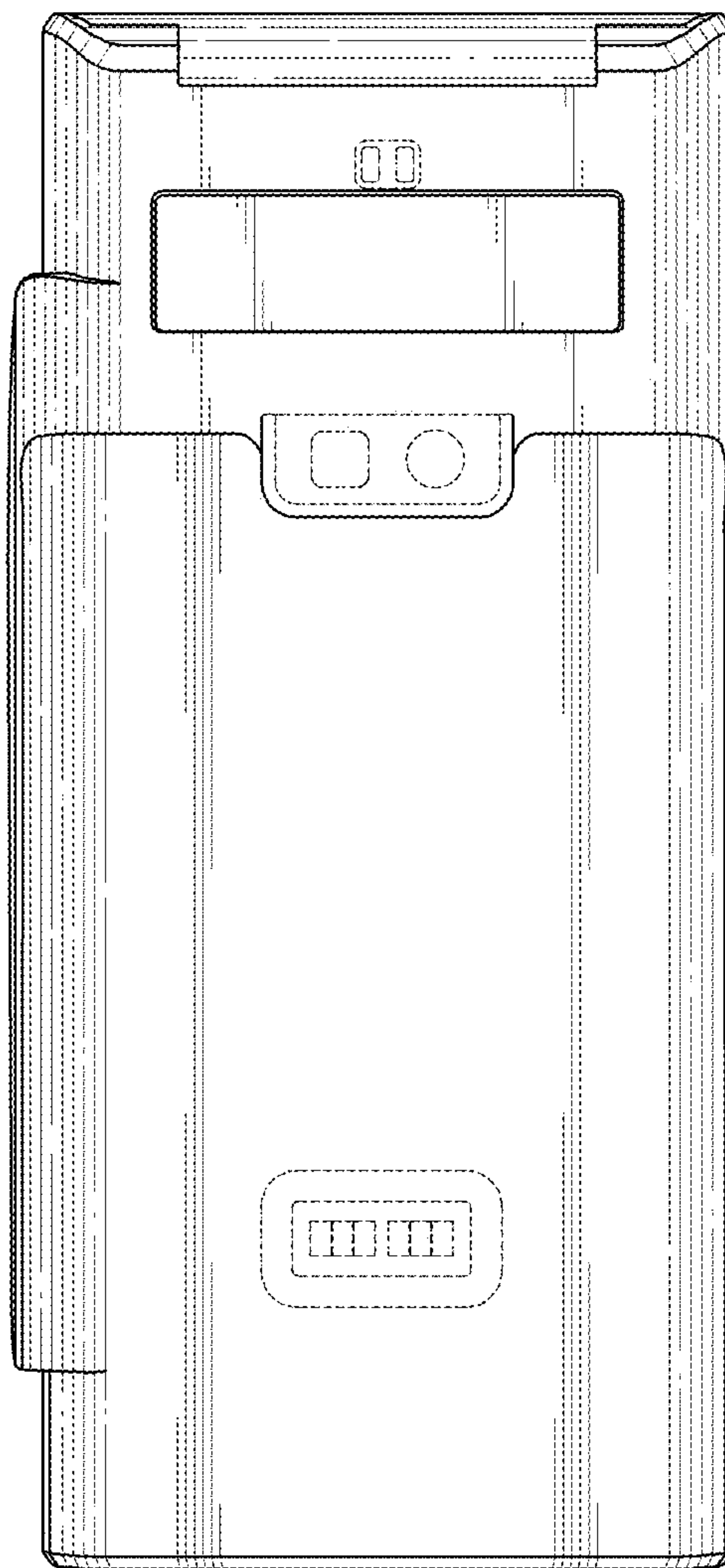




FIG. 4

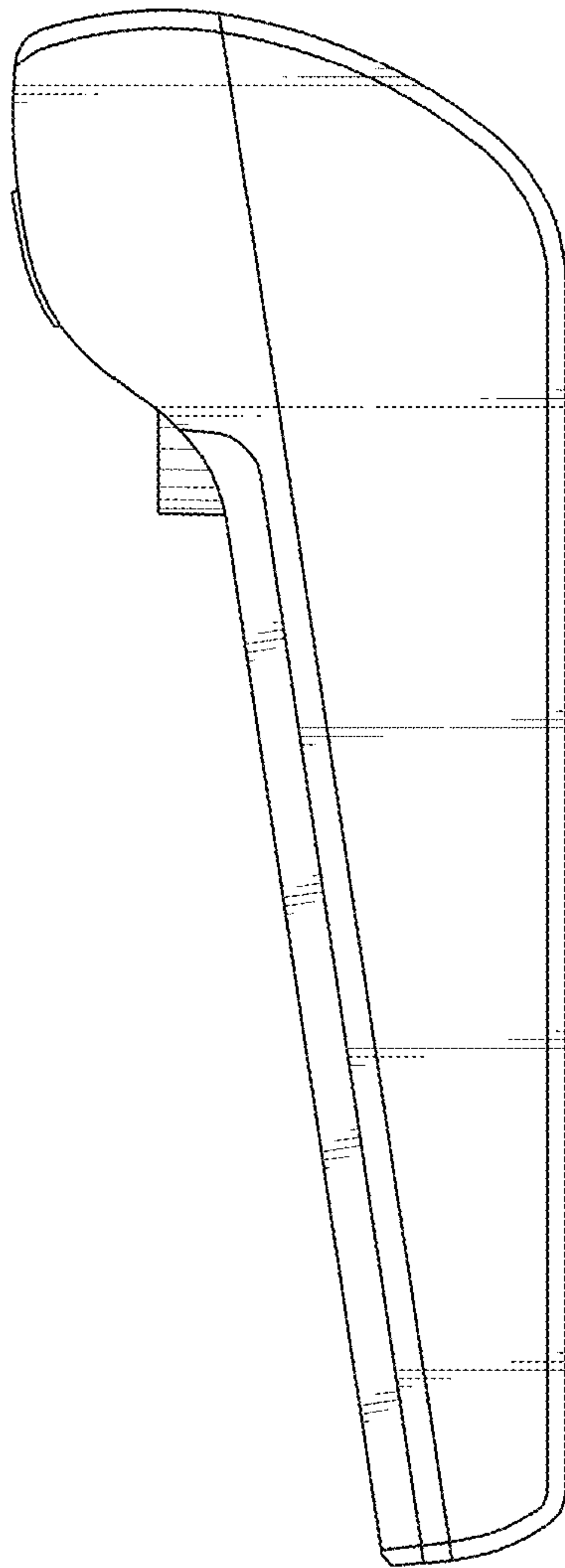


FIG. 5

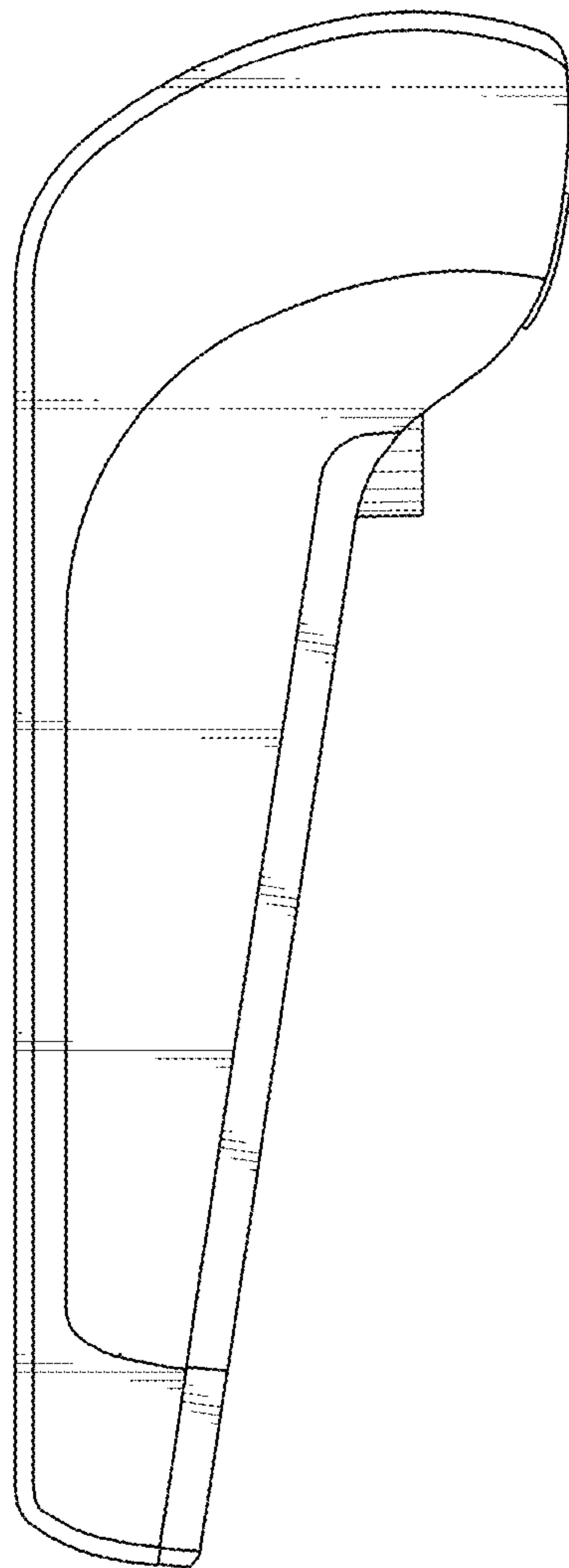


FIG. 6

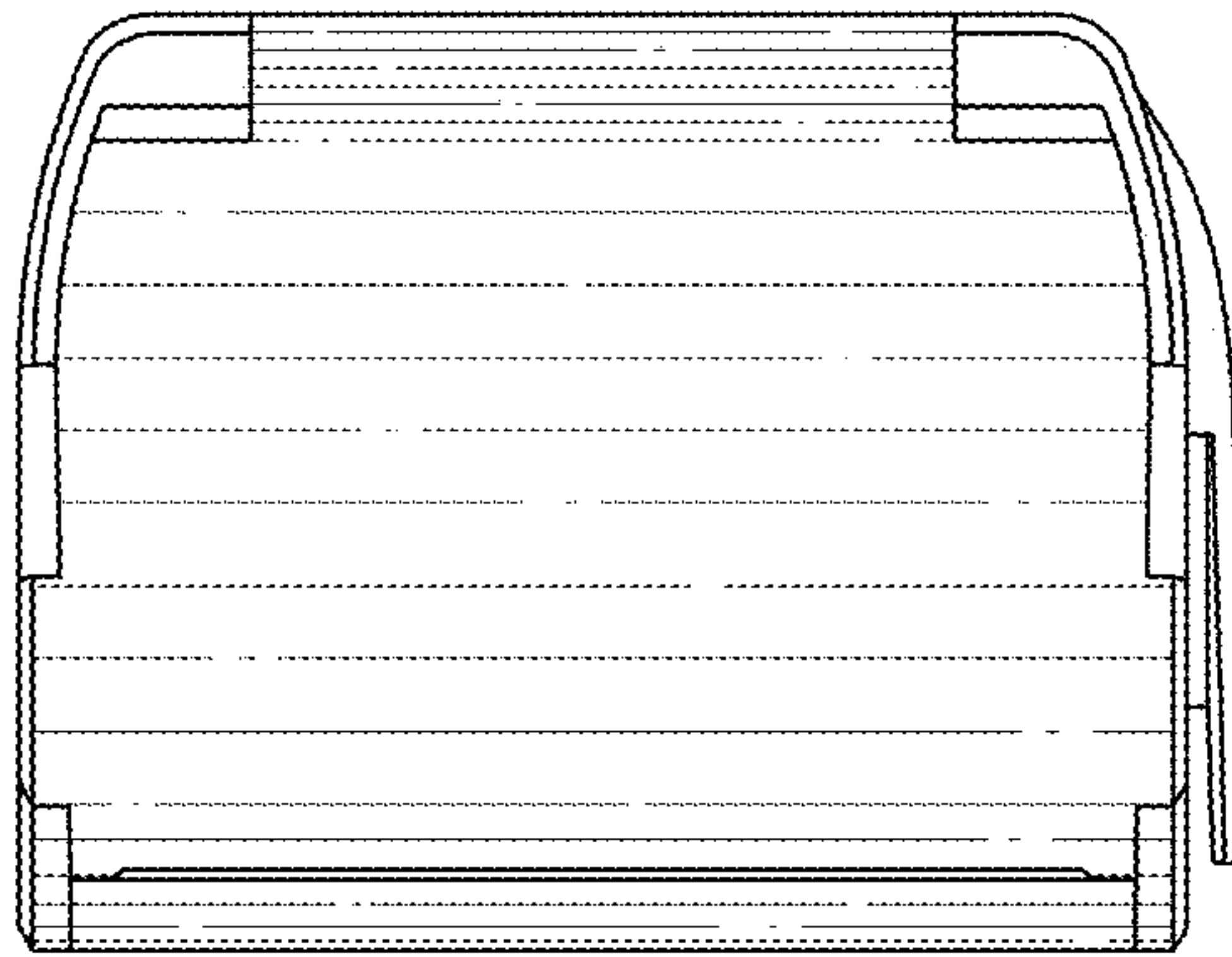




FIG. 7

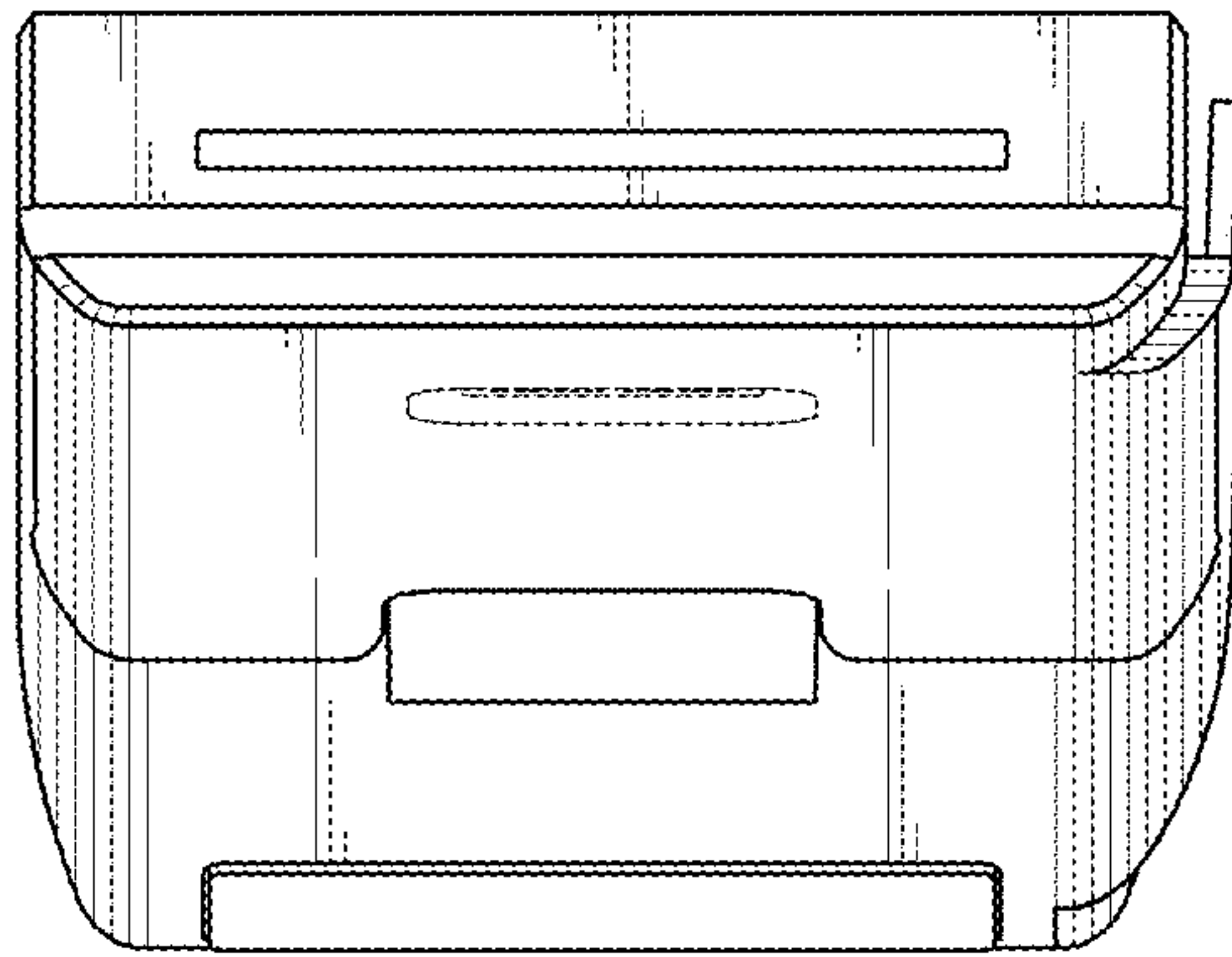


FIG. 8

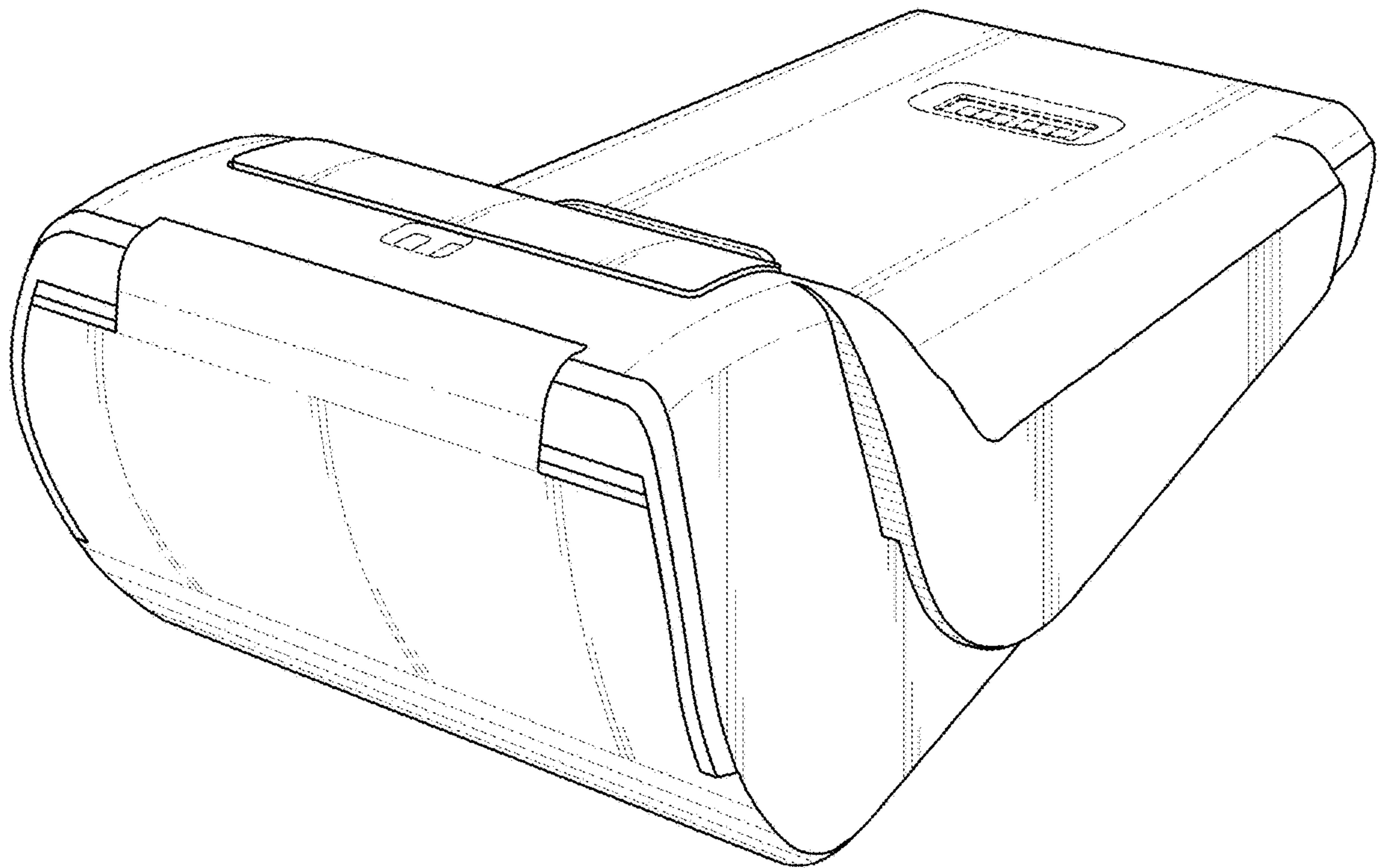


FIG. 9

