



US00D916954S

(12) **United States Design Patent** (10) **Patent No.:** **US D916,954 S**  
**De Beule et al.** (45) **Date of Patent:** **\*\* Apr. 20, 2021**

- (54) **POINT-OF-SALE TERMINAL**
- (71) Applicant: **Five Stars Loyalty, Inc.**, San Francisco, CA (US)
- (72) Inventors: **Yoni De Beule**, San Francisco, CA (US); **Victor Ho**, San Francisco, CA (US); **Claudia Natasia**, San Francisco, CA (US); **Dylan Brightbill**, San Francisco, CA (US)
- (73) Assignee: **Five Stars Loyalty, Inc.**, San Francisco, CA (US)
- (\*\*) Term: **15 Years**
- (21) Appl. No.: **29/698,124**
- (22) Filed: **Jul. 15, 2019**
- (51) **LOC (13) Cl.** ..... **18-01**
- (52) **U.S. Cl.**  
USPC ..... **D18/4.4**
- (58) **Field of Classification Search**  
USPC ..... D18/4.4, 4.5, 4.6, 2, 11, 50, 14, 19-21, D18/54, 54.1, 99, 4.1, 4.3; D10/46, 61, D10/62, 70, 104.1, 104.2, 106.2, 106.6, D10/65, 66; D20/1, 8, 9, 10; D14/496, D14/299, 338, 339, 341, 346, 383, 385, D14/386, 440, 507, 137, 138 R, 138 AA, D14/138 G, 126, 129, 336, 371, 125, 216; D99/28, 43  
CPC ..... H04W 8/22; H04W 52/0225; H04W 52/0254; G06Q 20/00; G06Q 20/08; G06Q 20/18; G06Q 20/20; G06Q 20/204; G07F 7/0873; G07F 7/088; G07F 7/0886; G07F 7/0893; G07F 7/025  
See application file for complete search history.

D279,578 S *	7/1985	Nishida .....	D18/3.3
D298,038 S *	10/1988	Brown .....	D18/4.6
D298,944 S *	12/1988	Stark .....	D18/4.6
D302,621 S *	8/1989	Nishida .....	D99/28
D306,719 S *	3/1990	Austin .....	D18/4.6
D309,908 S *	8/1990	Quinn .....	D18/4.1
D311,178 S *	10/1990	Goodner .....	D18/4.6
D315,361 S *	3/1991	Kojima .....	D18/55
D317,756 S *	6/1991	Fabri .....	D18/4.6
D338,454 S *	8/1993	Savio .....	D18/4.6
D342,239 S *	12/1993	Hermann .....	D18/4.6
D342,240 S *	12/1993	Saillant .....	D18/4.6
D345,966 S *	4/1994	Perez .....	D18/4.5
D346,794 S *	5/1994	Arakaki .....	D18/4.6
D348,661 S *	7/1994	Hansen .....	D14/389
D362,239 S *	9/1995	Je .....	D18/4.6
D362,427 S *	9/1995	Mizusugi .....	D18/4.4
D385,903 S *	11/1997	Kim .....	D14/336

(Continued)

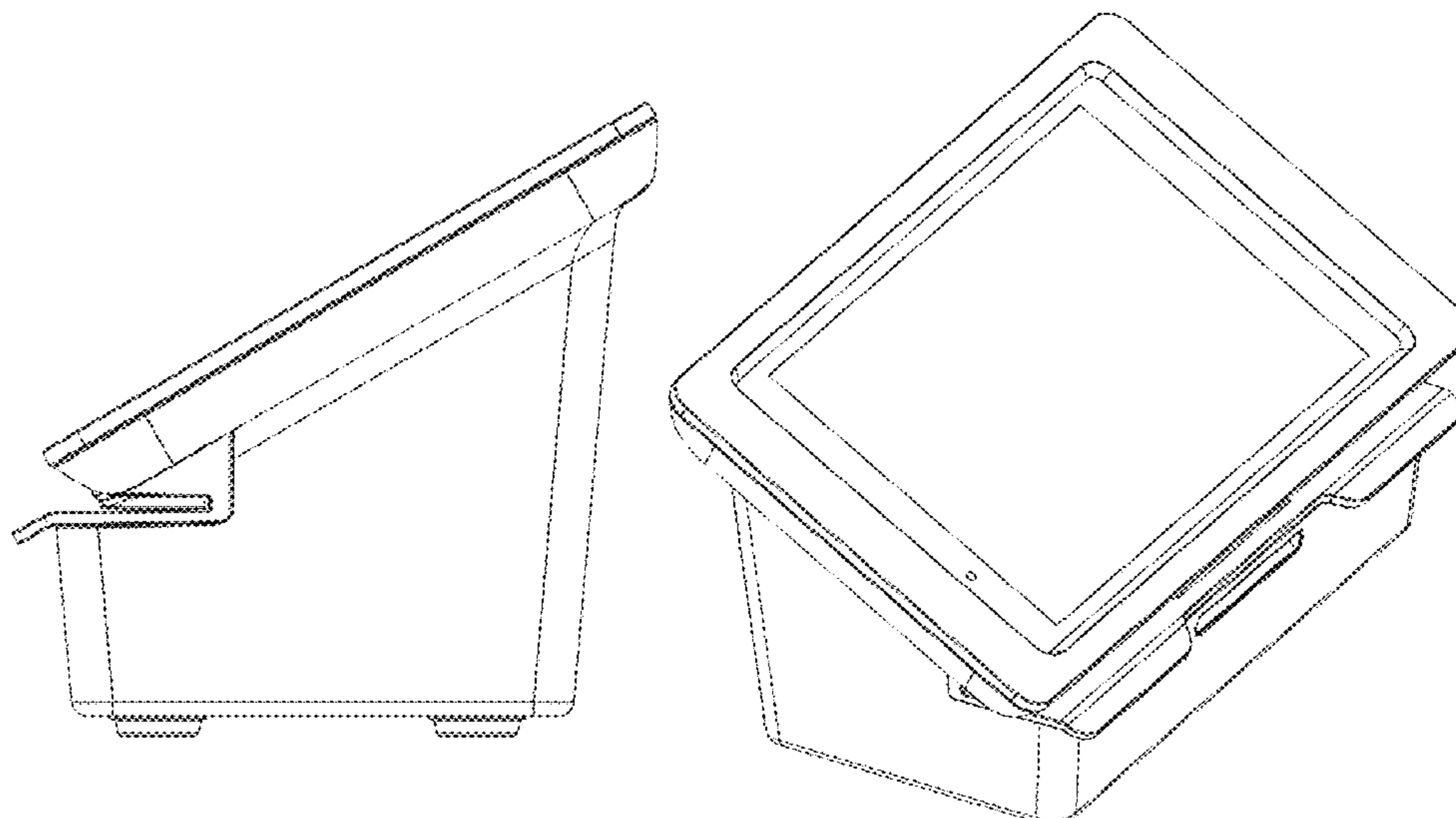
*Primary Examiner* — Marie D. Fast Horse  
(74) *Attorney, Agent, or Firm* — Ascenda Law Group, PC

- (56) **References Cited**  
U.S. PATENT DOCUMENTS  
D240,654 S \* 7/1976 Dobashi et al. .... D18/4.4  
D279,566 S \* 7/1985 Case .....

(57) **CLAIM**  
The ornamental design for a point-of-sale terminal, as shown and described.

**DESCRIPTION**  
FIG. 1 is a front right perspective view of a point-of-sale terminal showing our new design;  
FIG. 2 is a front view thereof;  
FIG. 3 is a top view thereof;  
FIG. 4 is a bottom view thereof;  
FIG. 5 is a back view thereof;  
FIG. 6 is a left-side view thereof;  
FIG. 7 is a right-side view thereof; and,  
FIG. 8 is a front left perspective view thereof.  
The broken lines in the drawings depict portions of the point-of-sale terminal that form no part of the claimed design.

**1 Claim, 7 Drawing Sheets**



(56)

References Cited

U.S. PATENT DOCUMENTS

D389,813 S \* 1/1998 Itoh ..... D18/4.5  
 D420,040 S \* 2/2000 Mizusugi ..... D18/4.4  
 D428,047 S \* 7/2000 Kolls ..... D18/4.6  
 D428,444 S \* 7/2000 McGarrah ..... D20/8  
 D433,701 S \* 11/2000 Chiu ..... D18/4.6  
 D437,890 S \* 2/2001 McGarrah ..... D20/8  
 D441,401 S \* 5/2001 McGarrah ..... D20/8  
 D451,535 S \* 12/2001 Lee ..... D18/4.6  
 D452,276 S \* 12/2001 Hurwitz ..... D19/86  
 D464,948 S \* 10/2002 Vasquez ..... D14/218  
 D483,390 S \* 12/2003 LaPierre ..... D16/235  
 D507,592 S \* 7/2005 Mizusugi ..... D18/4.1  
 D611,032 S \* 3/2010 Kim ..... D14/188  
 D612,503 S \* 3/2010 Johnston ..... D24/186  
 D621,834 S \* 8/2010 Kinno ..... D14/383  
 D642,550 S \* 8/2011 Kawano ..... D14/126  
 D690,137 S \* 9/2013 Kikkert ..... D6/672  
 D690,138 S \* 9/2013 Kikkert ..... D6/672  
 D697,910 S \* 1/2014 Bianco ..... D14/336  
 D702,675 S \* 4/2014 Jones ..... D14/307  
 D703,311 S \* 4/2014 Daly ..... D24/110  
 D708,618 S \* 7/2014 Romanoff ..... D14/422  
 D720,393 S \* 12/2014 Held ..... D18/4.4  
 D737,702 S \* 9/2015 Selberg ..... D10/81  
 D741,853 S \* 10/2015 Barron ..... D14/336

D757,162 S \* 5/2016 Lyons ..... D18/50  
 D777,722 S \* 1/2017 Murphy ..... D14/307  
 D778,982 S \* 2/2017 Beatty ..... D18/4.5  
 D782,466 S \* 3/2017 Yopez ..... D14/307  
 D789,362 S \* 6/2017 Eljas ..... D14/366  
 D797,744 S \* 9/2017 Tan ..... D14/422  
 D811,384 S \* 2/2018 Diasabeygunawardena .....  
 D14/336  
 D818,530 S \* 5/2018 Yeruva ..... D18/50  
 D823,935 S \* 7/2018 Wang ..... D18/4.6  
 D831,639 S \* 10/2018 Terry ..... D14/307  
 D834,573 S \* 11/2018 Pell ..... D14/336  
 D853,679 S \* 7/2019 King ..... D99/43  
 D861,778 S \* 10/2019 Day ..... D18/4.4  
 D873,262 S \* 1/2020 Fernando ..... D14/307  
 D886,189 S \* 6/2020 Koh ..... D18/4.4  
 D888,705 S \* 6/2020 Saito ..... D14/307  
 D907,696 S \* 1/2021 Chau ..... D18/4.6  
 2007/0038517 A1 \* 2/2007 Lin ..... G06Q 20/204  
 705/17  
 2013/0235420 A1 \* 9/2013 Nihashi ..... G07G 1/12  
 358/1.15  
 2013/0282499 A1 \* 10/2013 Kato ..... G06Q 20/20  
 705/16  
 2015/0025985 A1 \* 1/2015 Inagawa ..... G06Q 20/20  
 705/16

\* cited by examiner

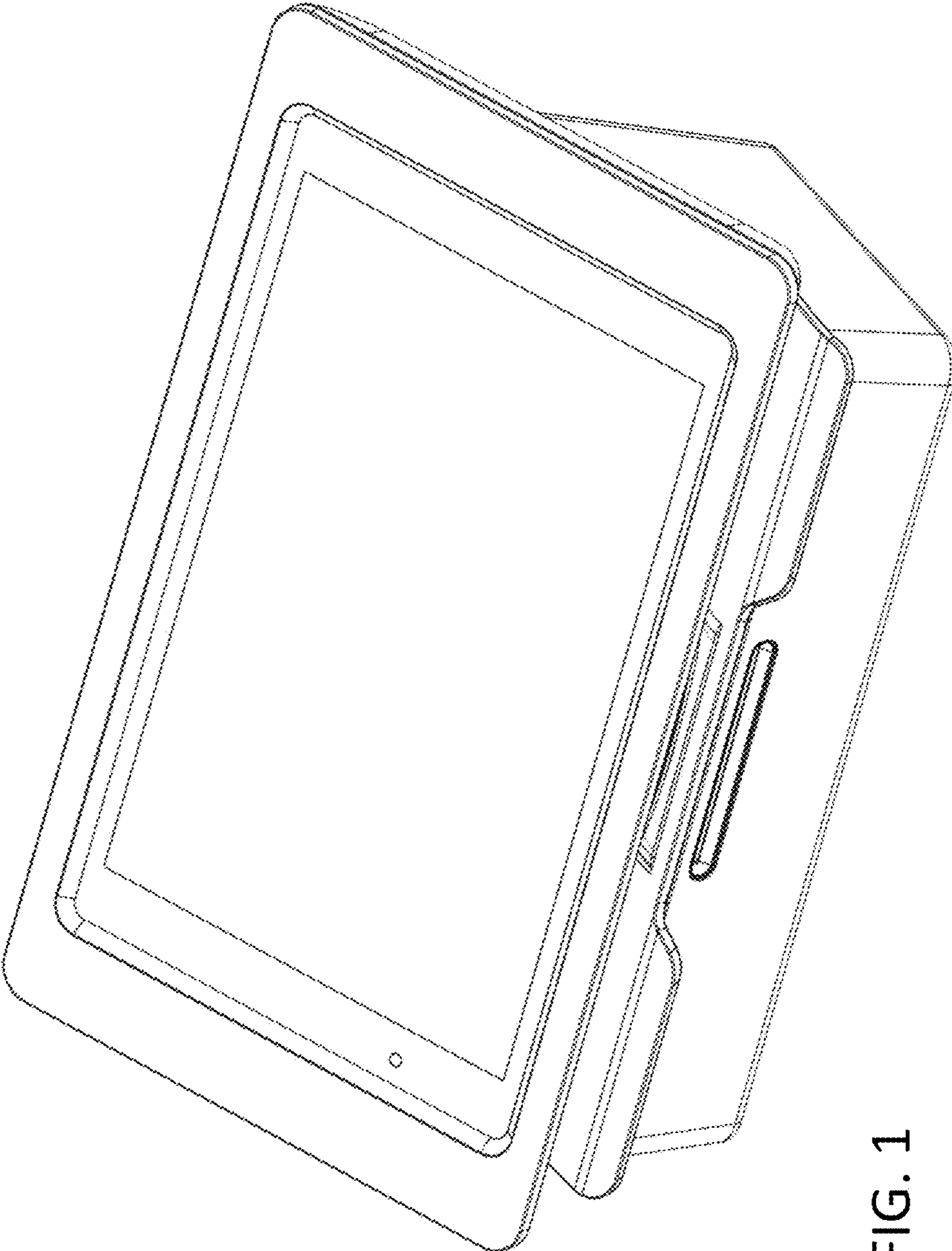


FIG. 1

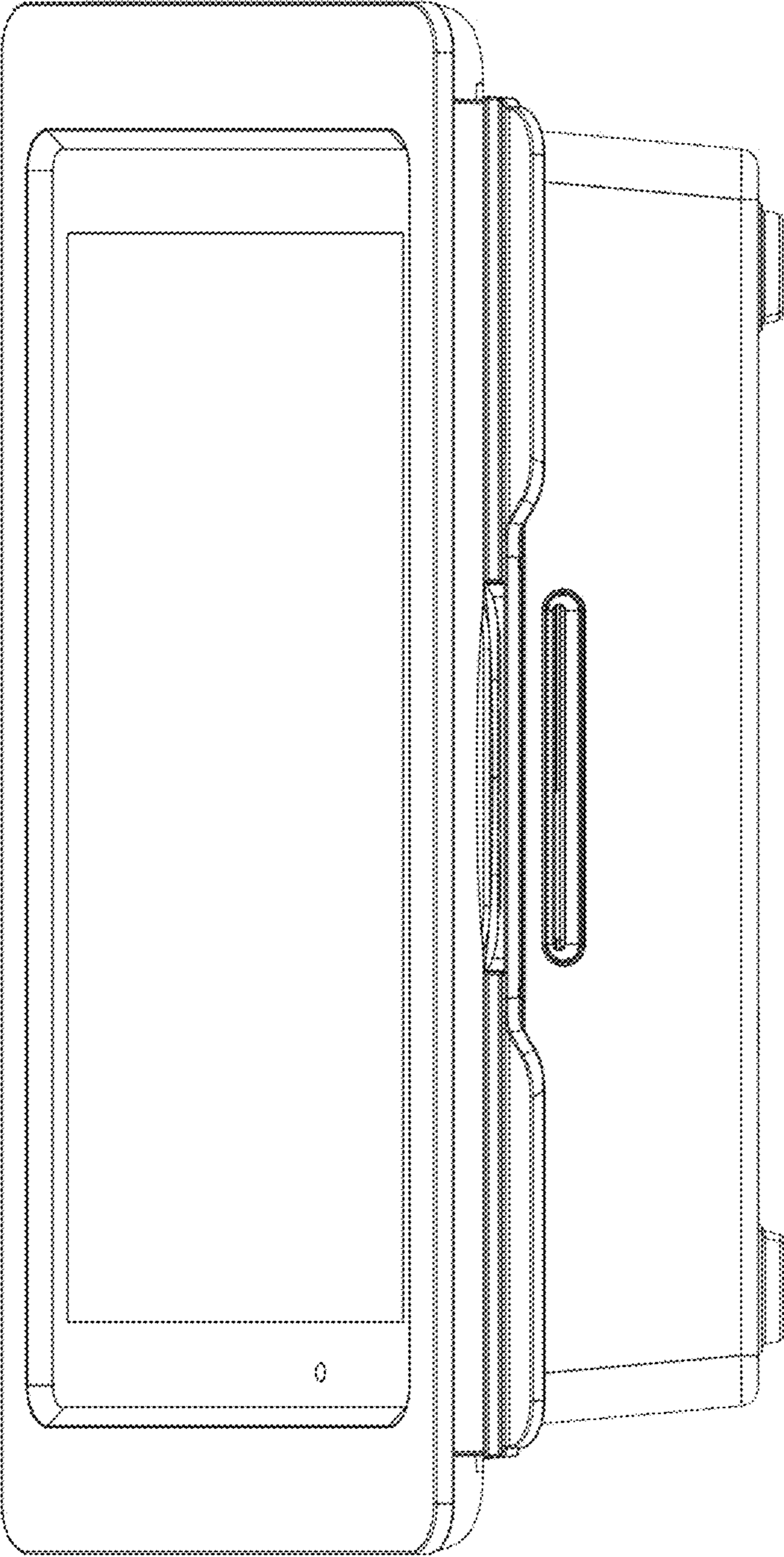


FIG. 2

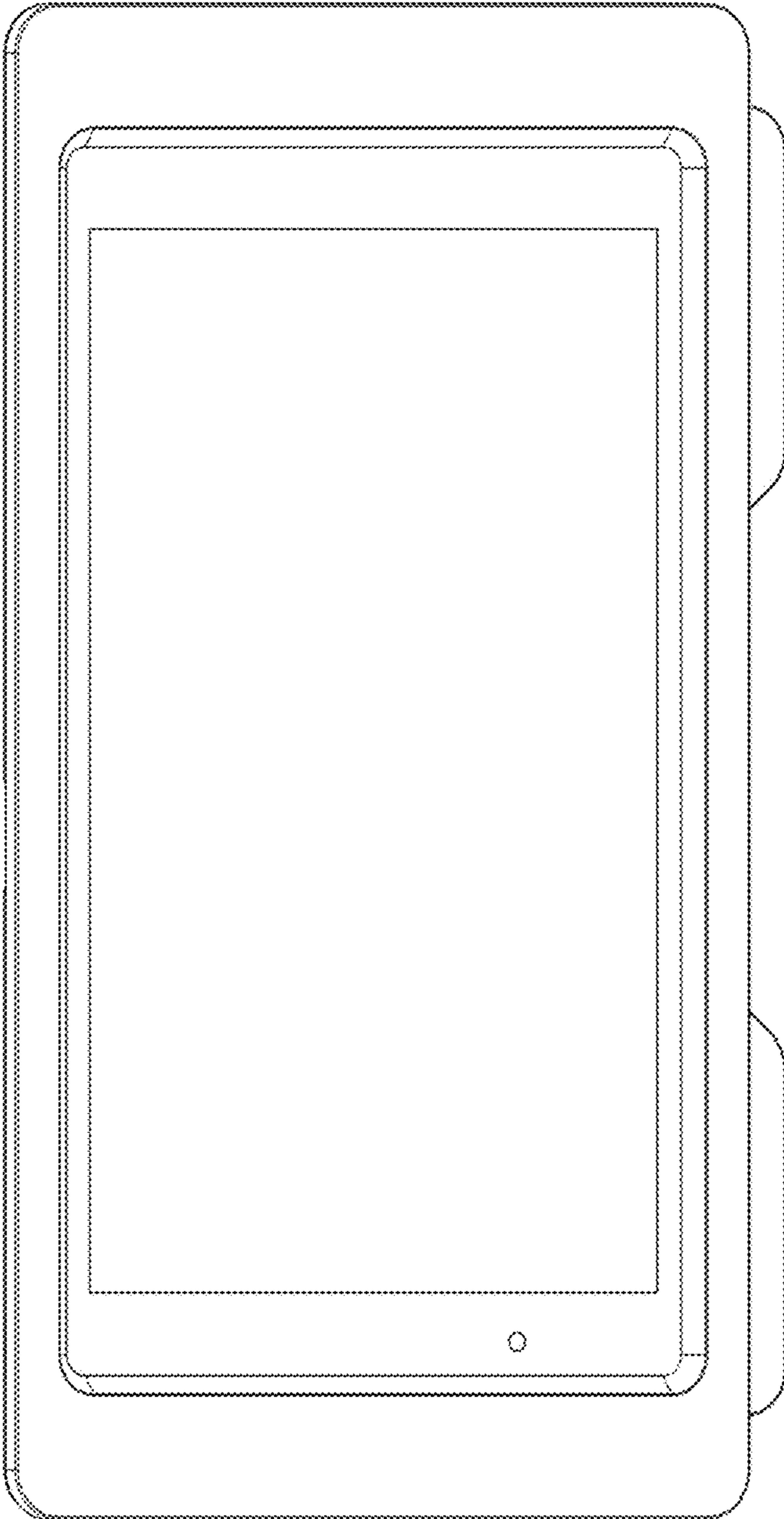


FIG. 3

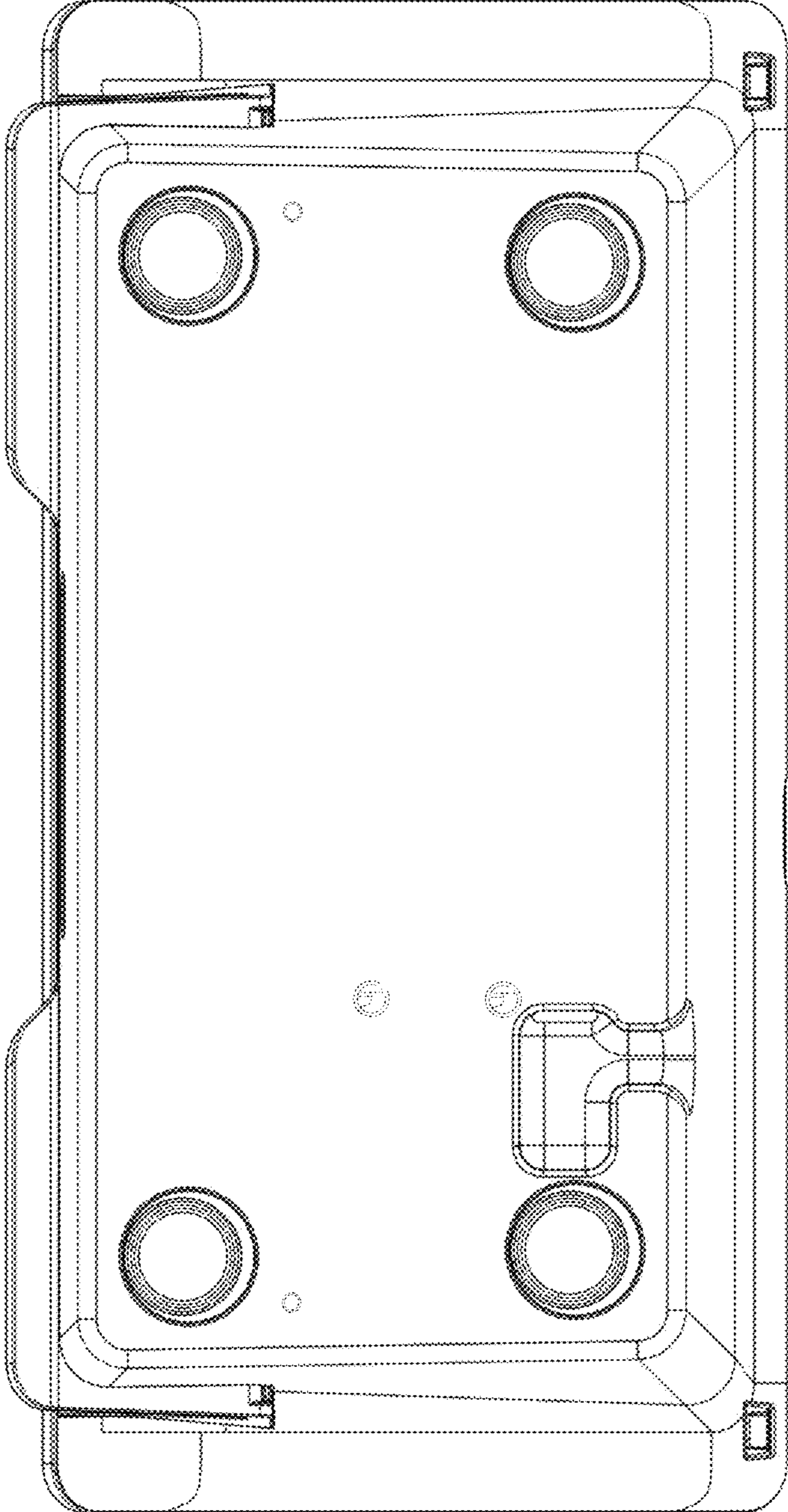


FIG. 4

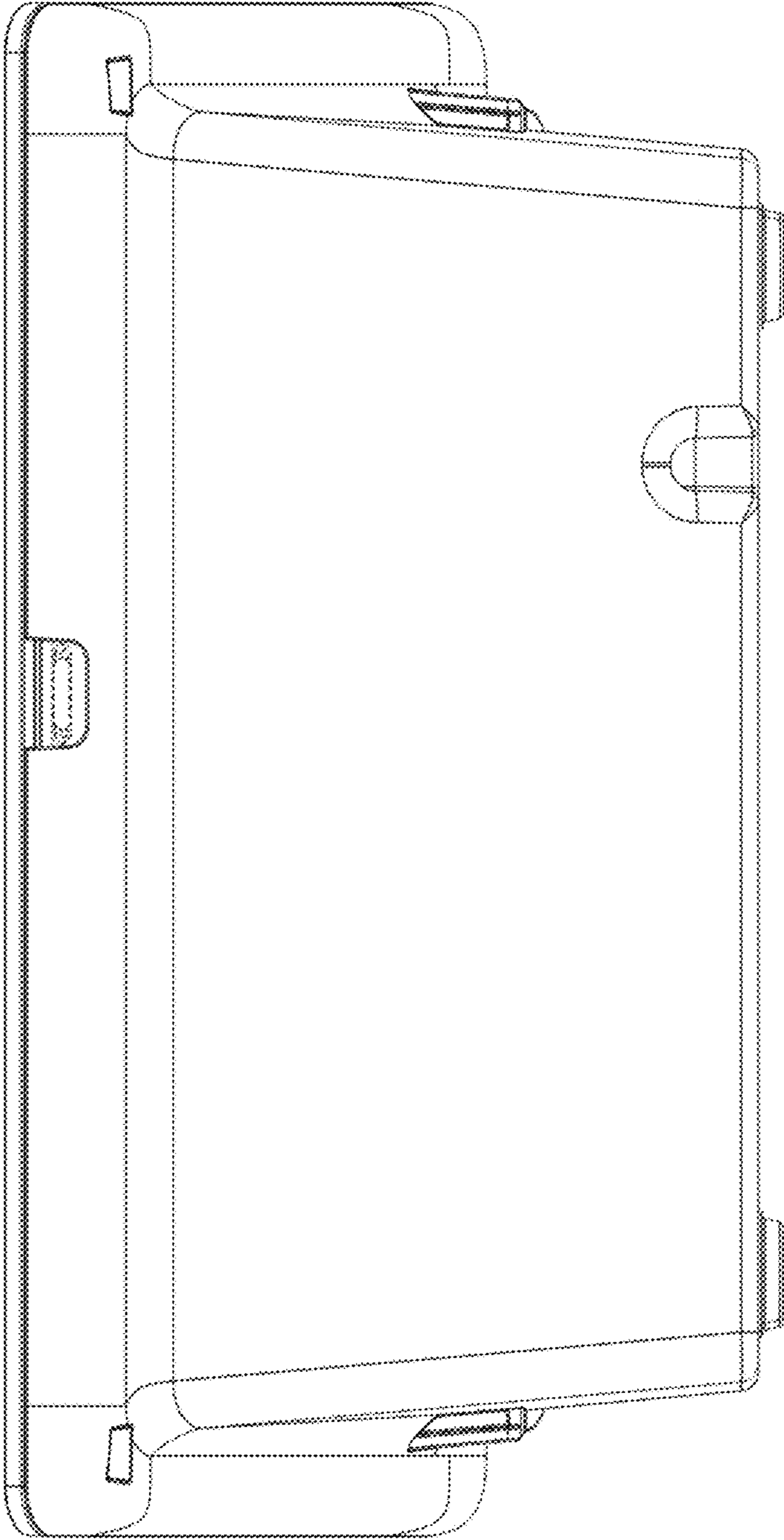


FIG. 5

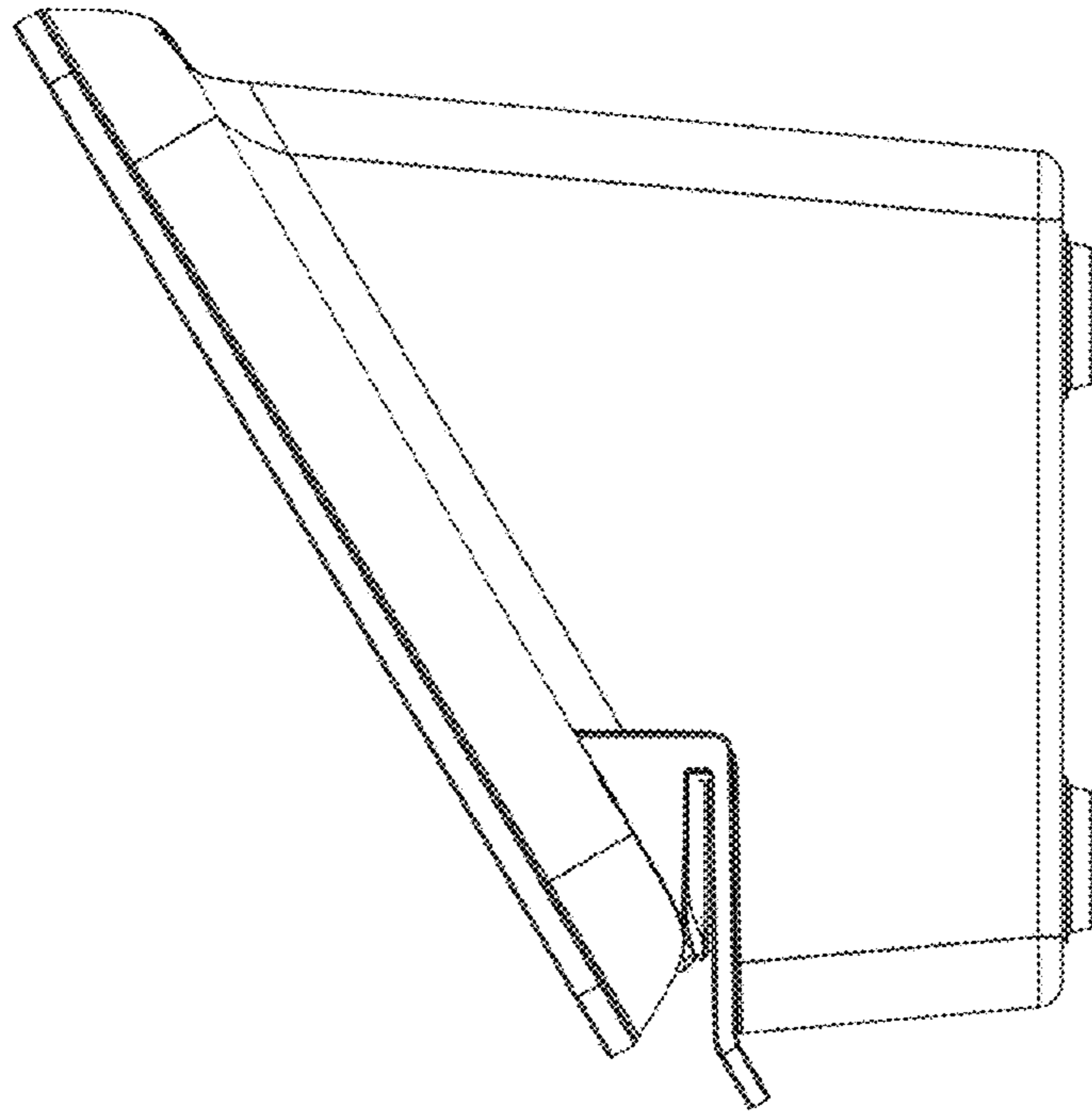


FIG. 7

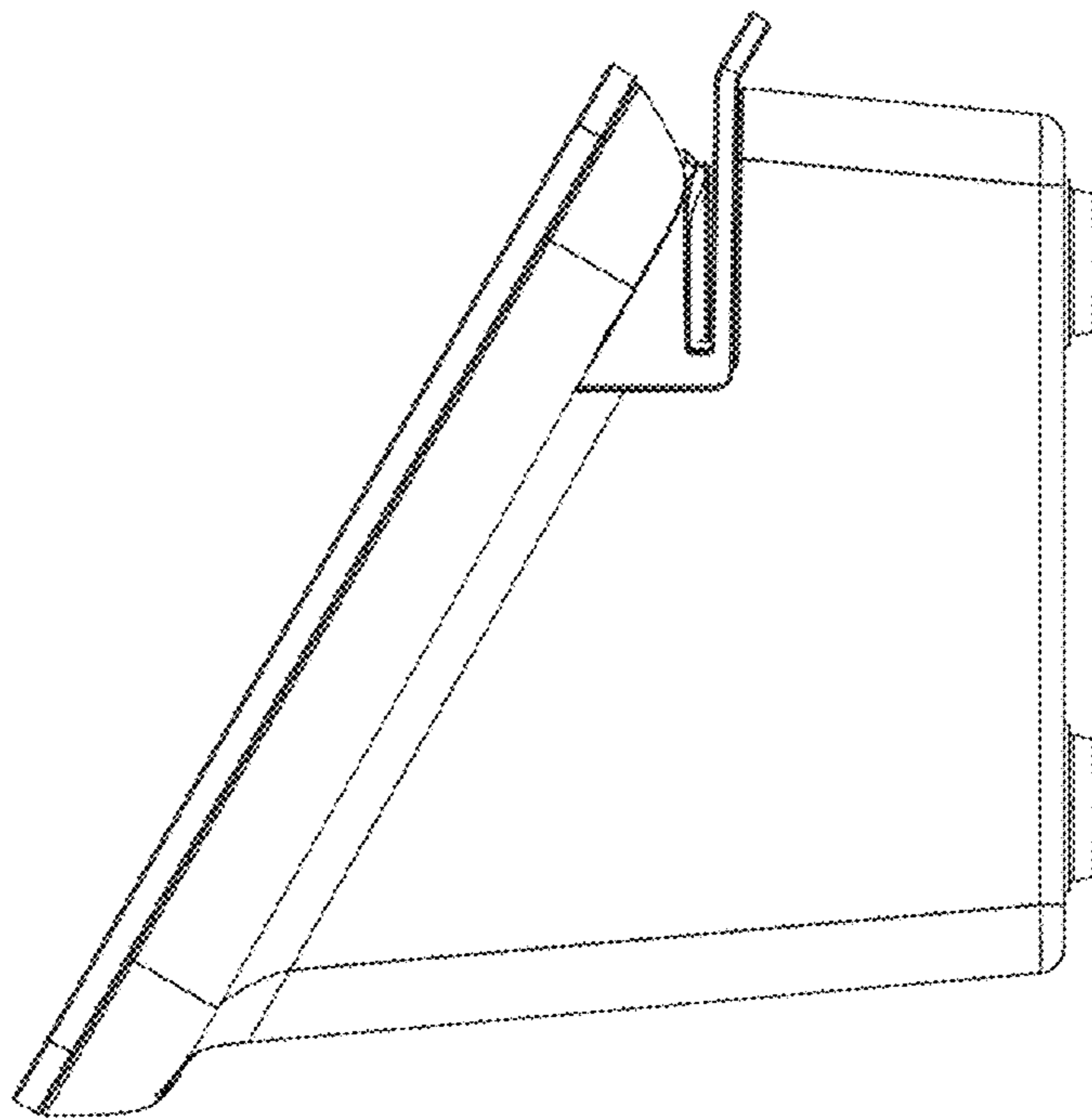


FIG. 6



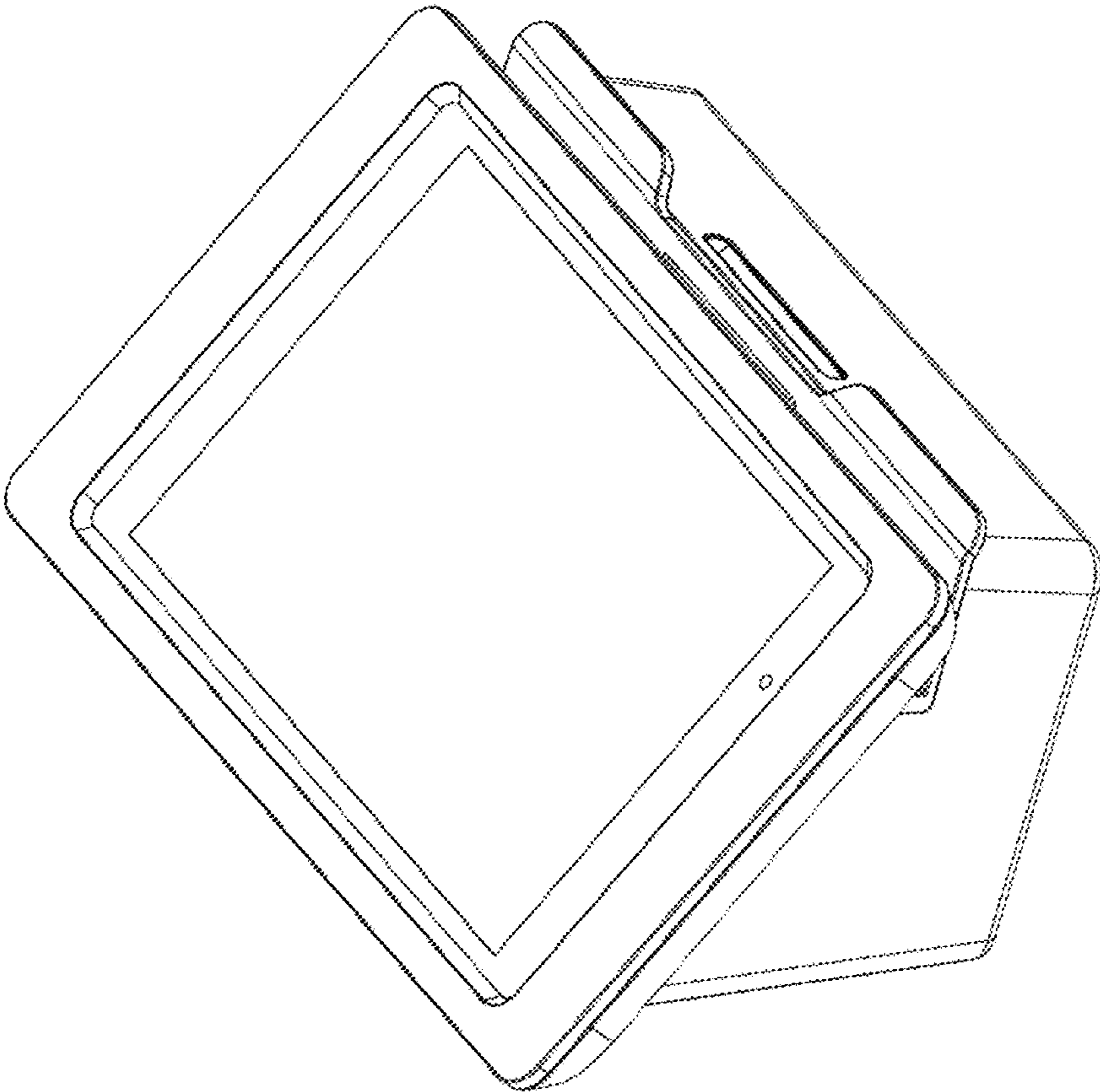


FIG. 8