



US00D916953S

(12) **United States Design Patent**  
**Davis**

(10) **Patent No.:** **US D916,953 S**

(45) **Date of Patent:** **\*\* Apr. 20, 2021**

- (54) **TUNING MACHINE BACKPLATE**
- (71) Applicant: **Larry Davis**, North Fort Myers, FL  
(US)
- (72) Inventor: **Larry Davis**, North Fort Myers, FL  
(US)
- (\*\*) Term: **15 Years**
- (21) Appl. No.: **29/702,421**
- (22) Filed: **Aug. 19, 2019**
- (51) **LOC (13) Cl.** ..... **17-99**
- (52) **U.S. Cl.**  
USPC ..... **D17/99**
- (58) **Field of Classification Search**  
USPC ..... D17/20, 22, 99; D21/405  
CPC ..... G10D 99/00; G10D 15/00; G10D 13/00;  
G10D 13/14; G10D 13/147; G10D 13/20  
See application file for complete search history.

D280,522 S *	9/1985	Page	.....	D17/20
D280,523 S *	9/1985	Smith	.....	D17/20
D280,524 S *	9/1985	Smith	.....	D17/20
D673,209 S *	12/2012	Reboul	.....	D17/20

\* cited by examiner

*Primary Examiner* — R. Johnson  
(74) *Attorney, Agent, or Firm* — Scarinci Hollenbeck, LLC; Libby Babu Varghese

(57) **CLAIM**

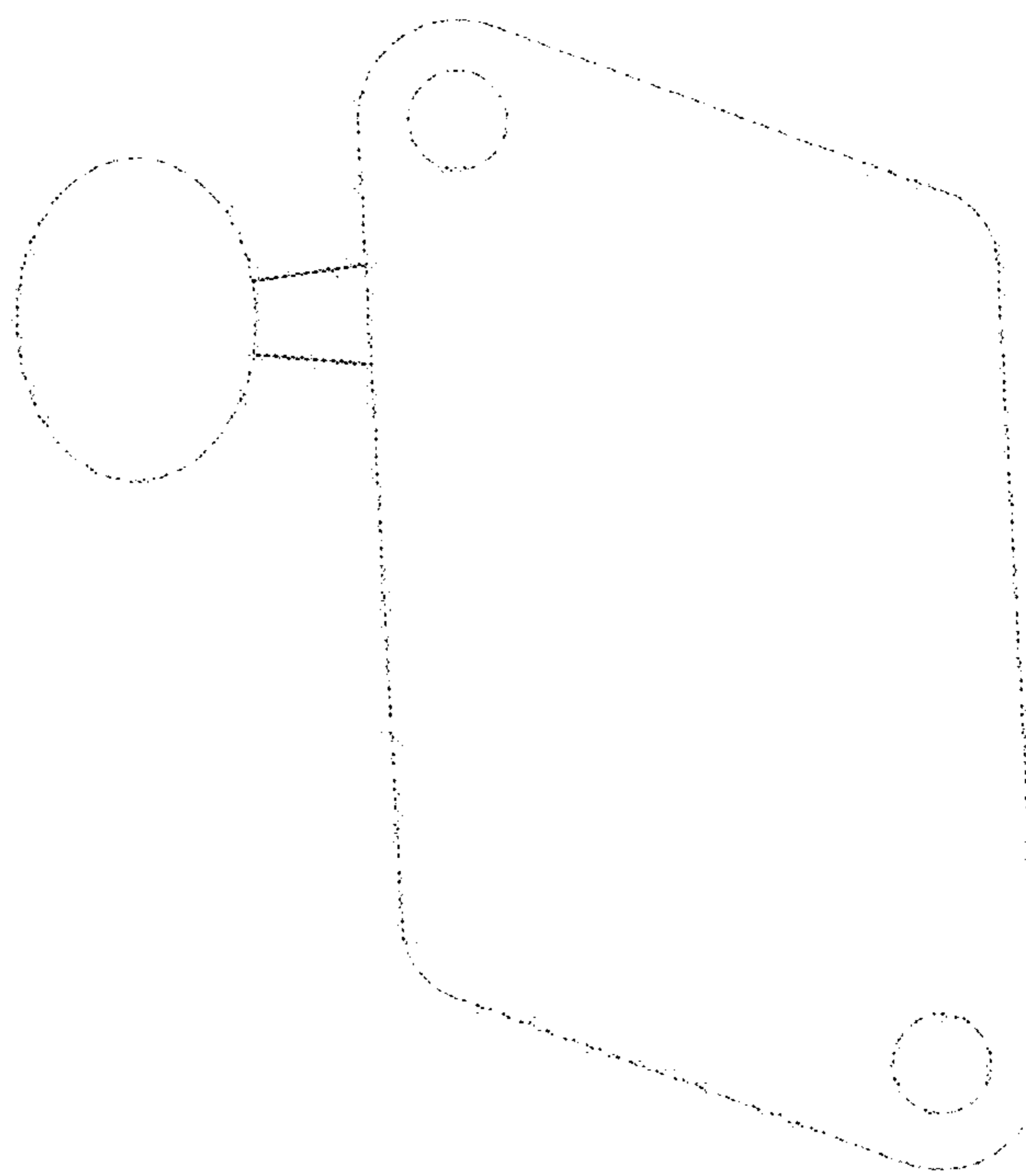
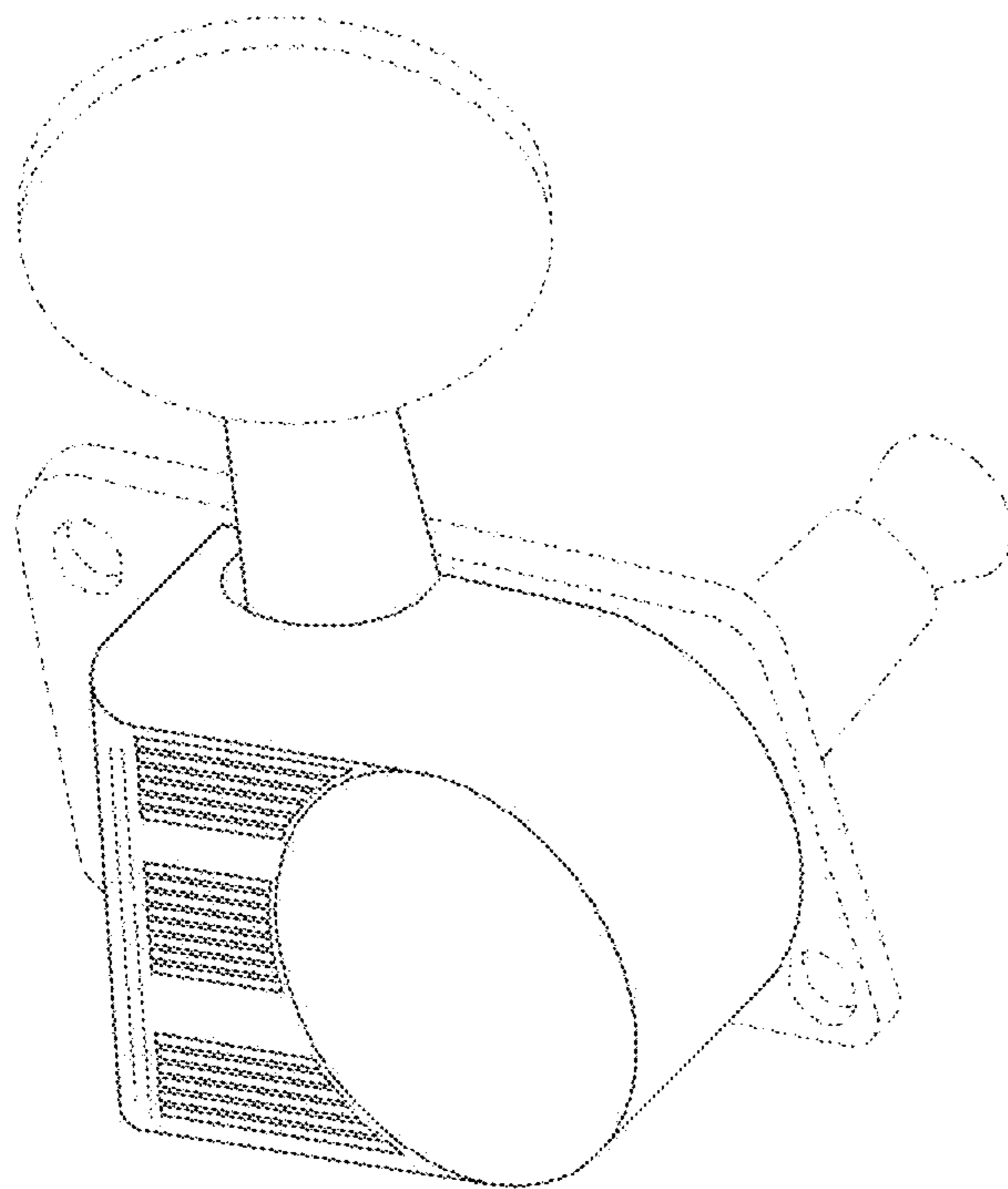
The ornamental design for a tuning machine backplate, as shown and described.

**DESCRIPTION**

FIG. 1 is a perspective view of my new design;  
FIG. 2 is a front view thereof;  
FIG. 3 is a rear view thereof;  
FIG. 4 is a left-side view thereof;  
FIG. 5 is a right-side view thereof;  
FIG. 6 is a first end view thereof; and,  
FIG. 7 is a second end view thereof.  
The broken lines are for the purpose of illustrating portions of the tuning machine backplate that form no part of the claimed design.

**1 Claim, 5 Drawing Sheets**

- (56) **References Cited**  
U.S. PATENT DOCUMENTS  
D210,981 S \* 5/1968 Thompson ..... D17/20  
D216,049 S \* 11/1969 Dreyer ..... D17/20



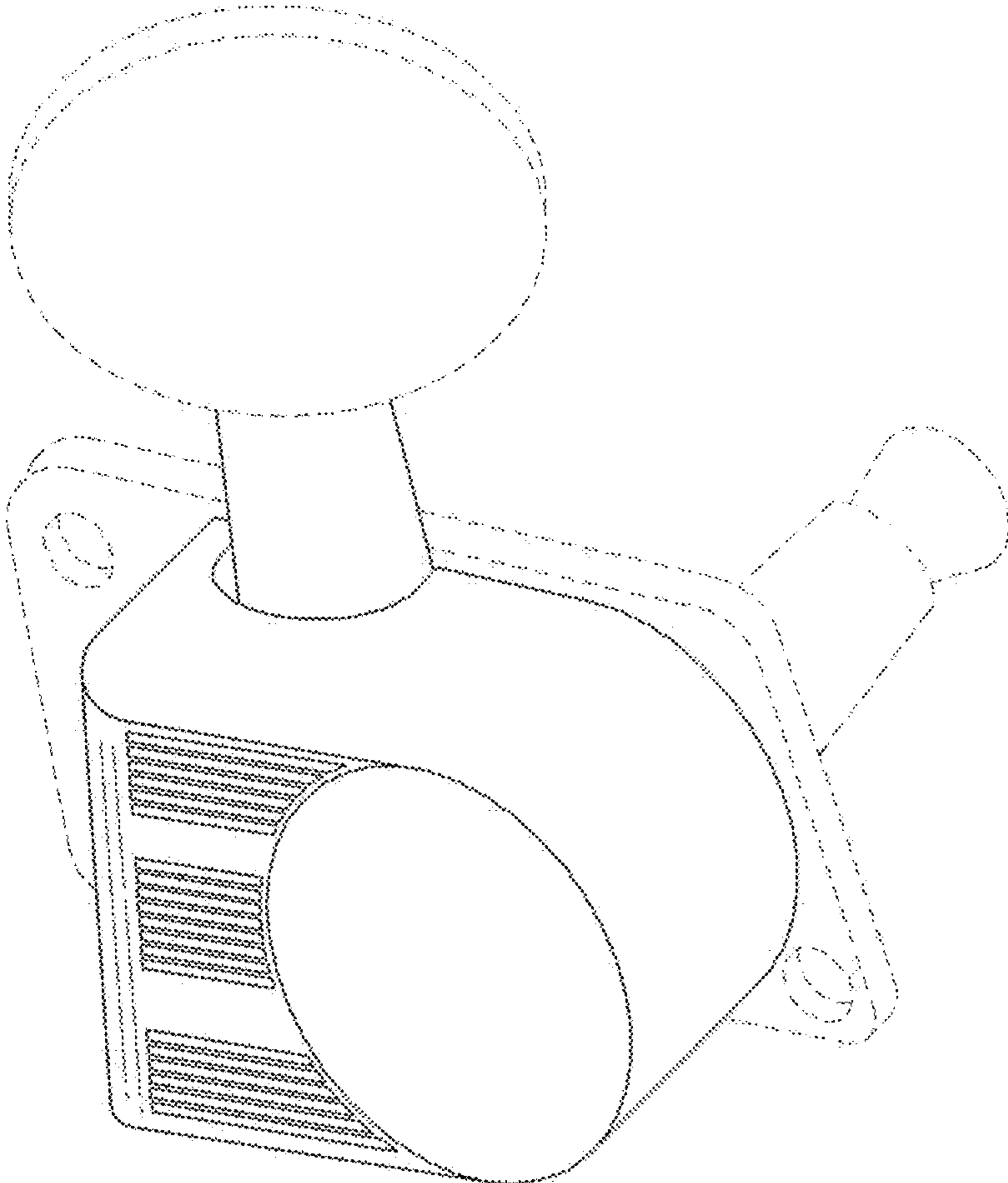
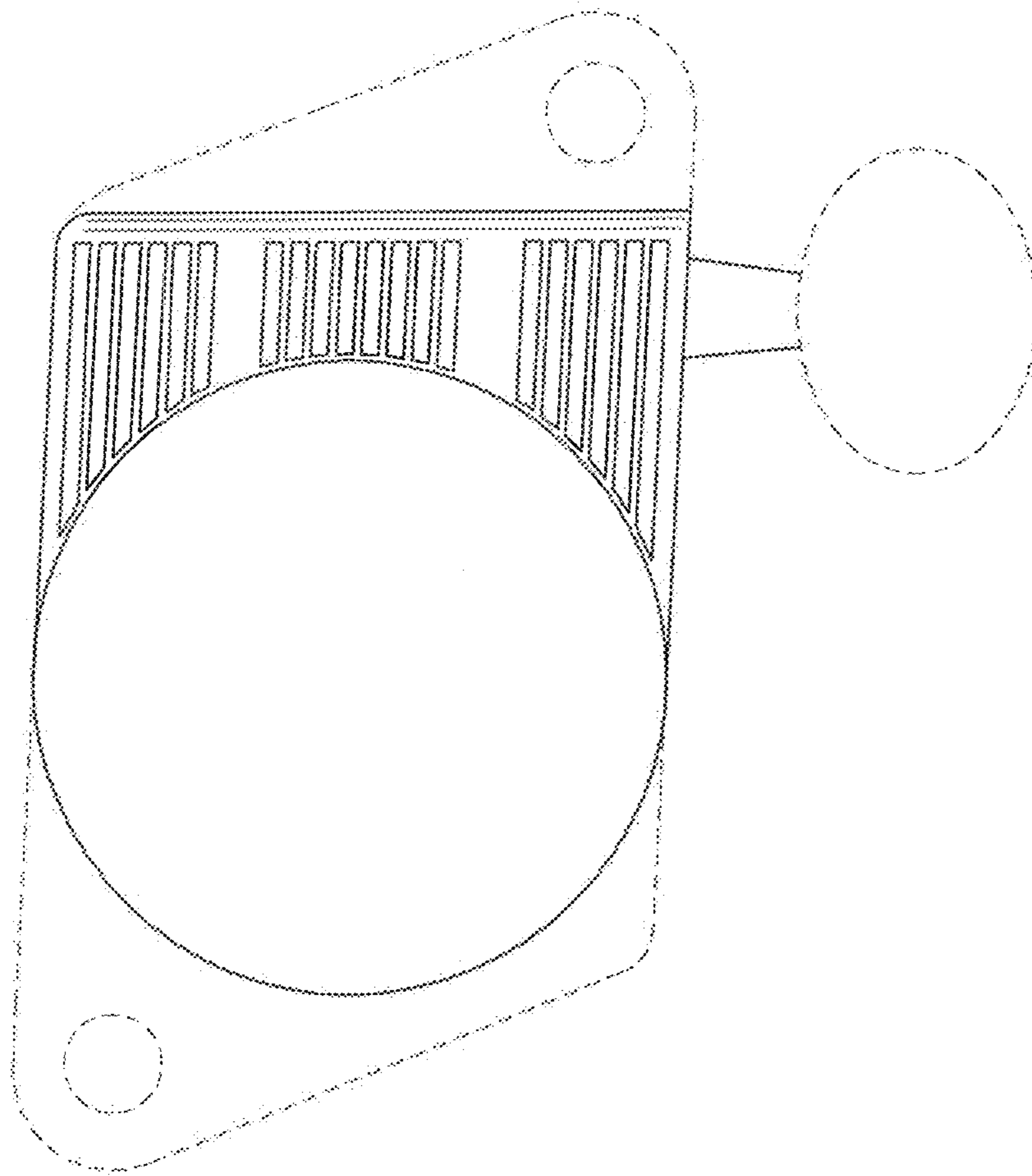
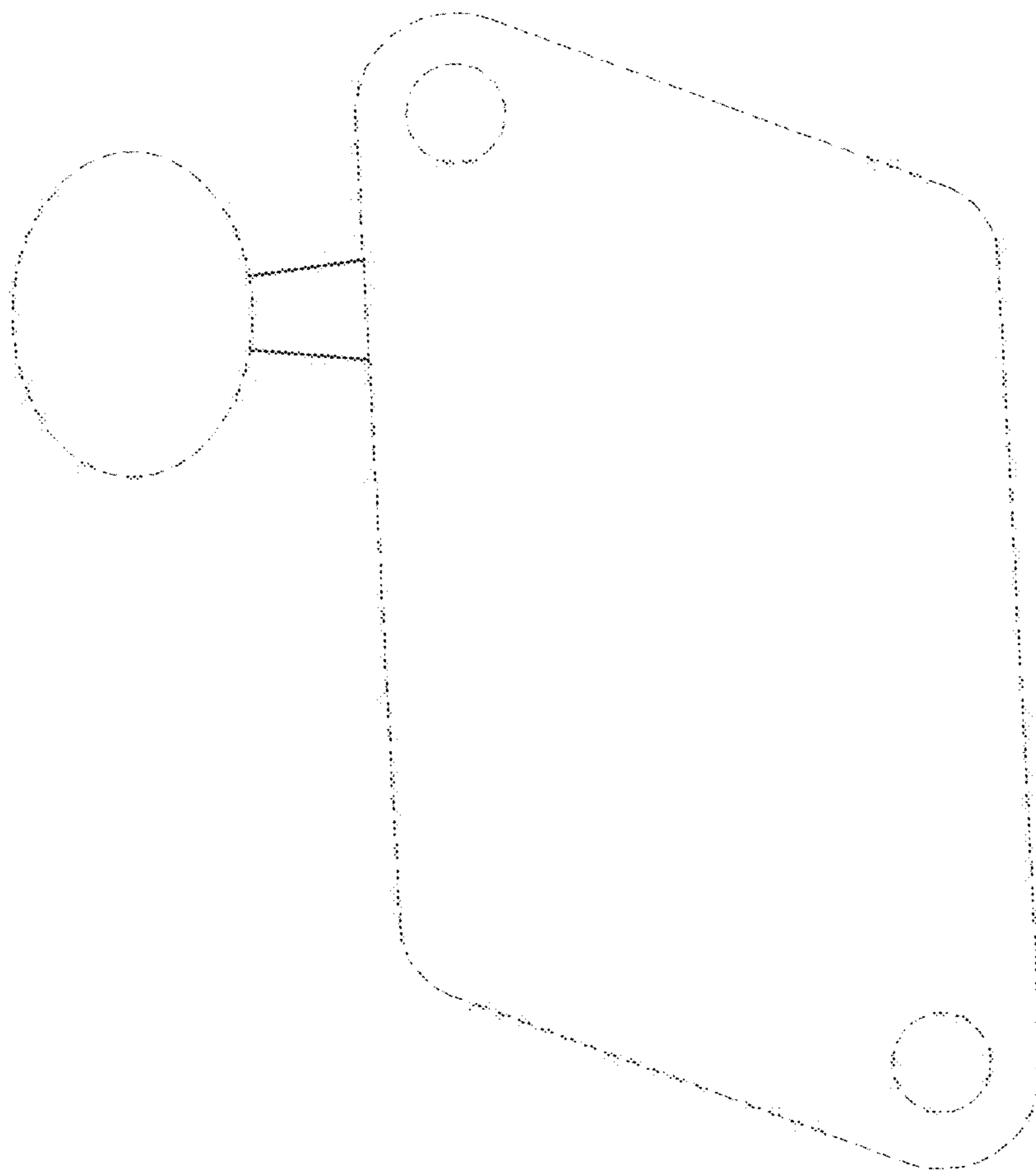


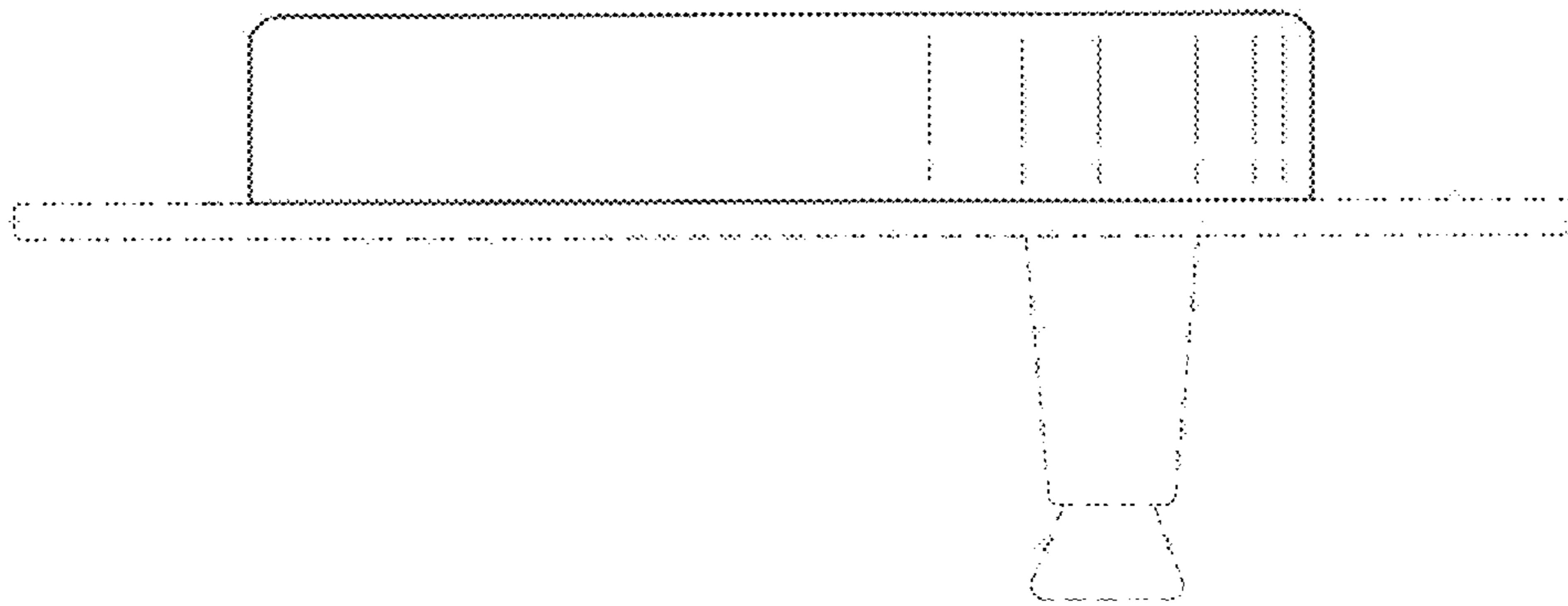
FIG. 1



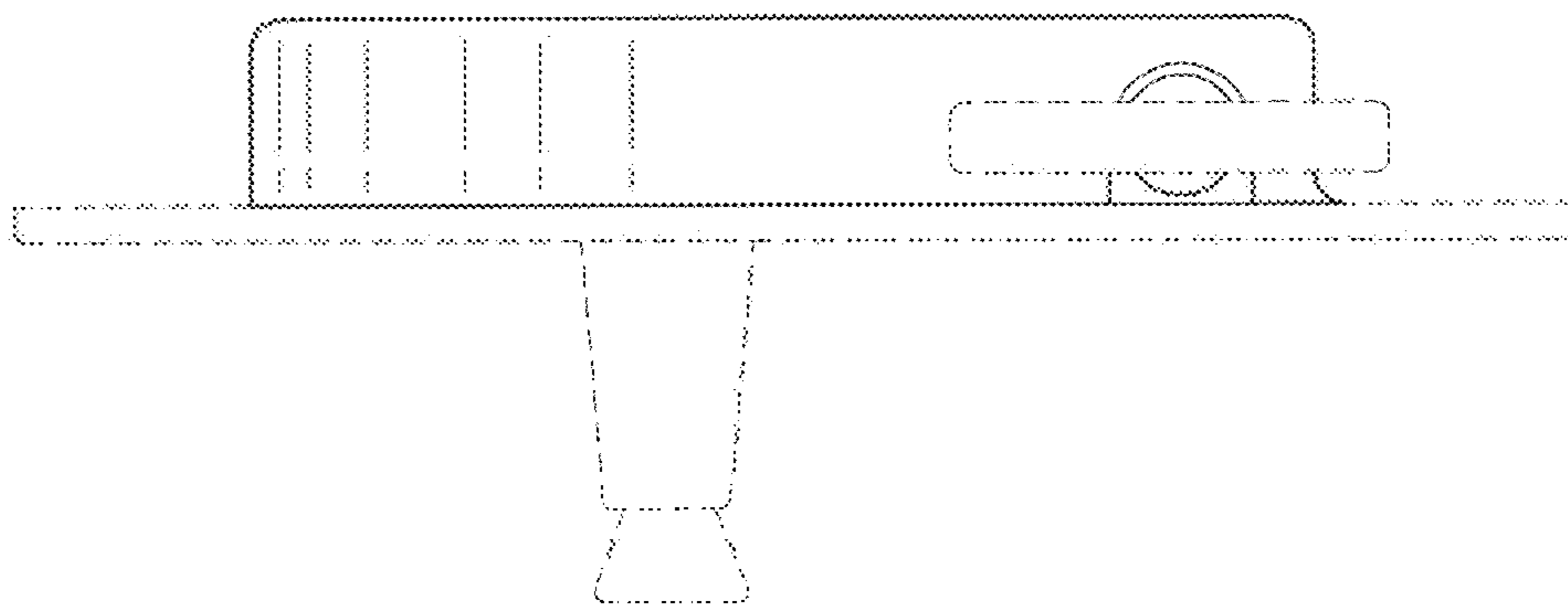
*FIG. 2*



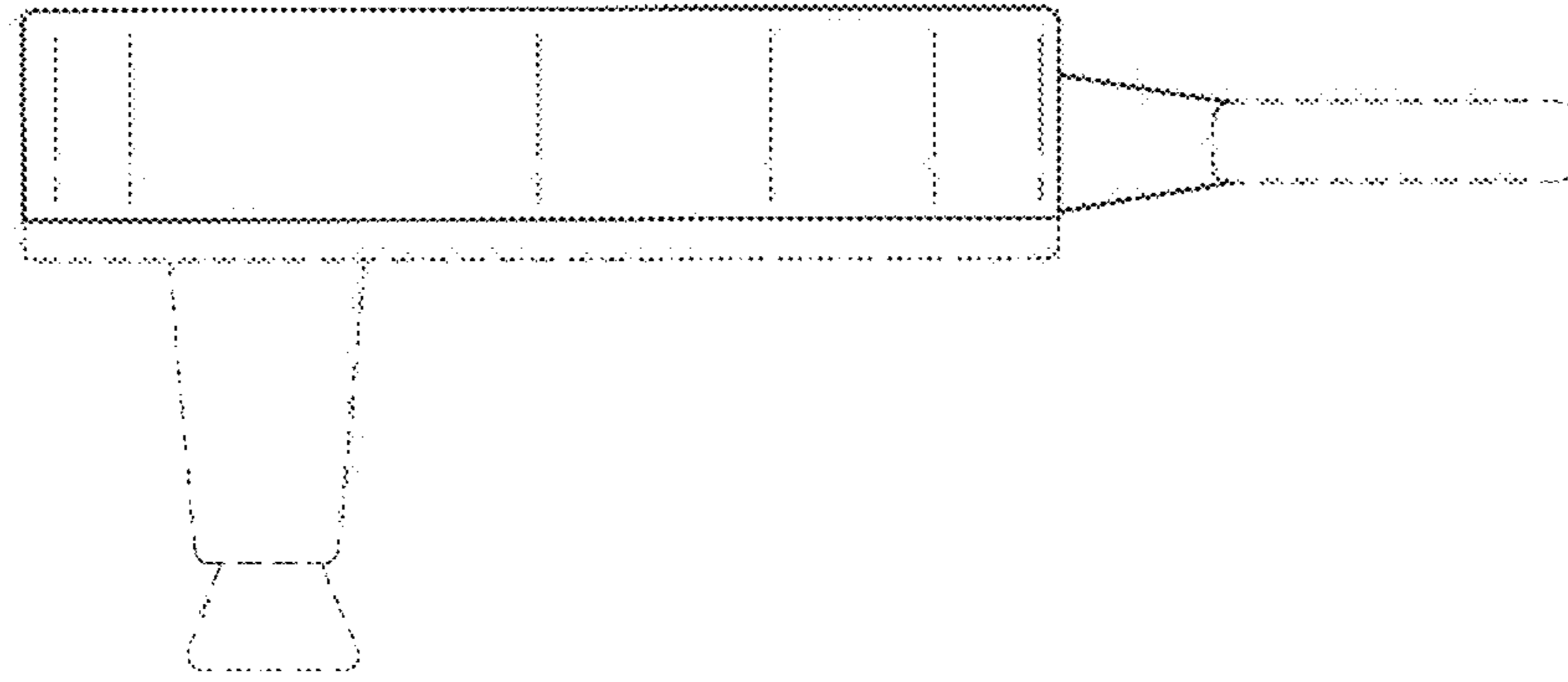
*FIG. 3*



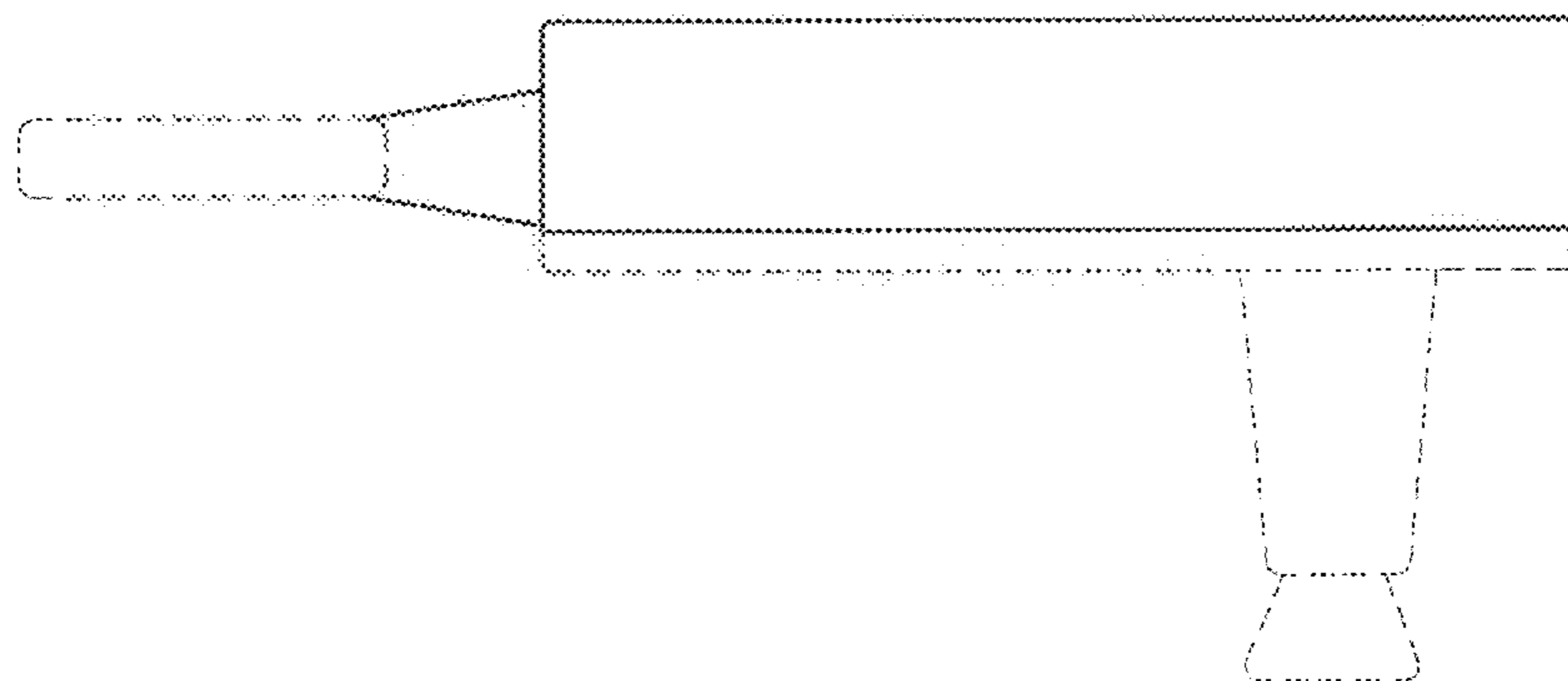
*FIG. 4*



*FIG. 5*



*FIG. 6*



*FIG. 7*