



US00D916952S

(12) **United States Design Patent** (10) **Patent No.:** **US D916,952 S**
Morita et al. (45) **Date of Patent:** **** Apr. 20, 2021**

(54) **DRUM LUG**

FOREIGN PATENT DOCUMENTS

(71) Applicant: **Roland Corporation**, Shizuoka (JP)

GB 6000807 * 9/2016

(72) Inventors: **Yutaka Morita**, Shizuoka (JP); **Satoshi Sutoh**, Shizuoka (JP); **Ryo Tanida**, Shizuoka (JP)

OTHER PUBLICATIONS

(73) Assignee: **Roland Corporation**, Shizuoka (JP)

Amazon, Pearl RL20 Bass Drum Lug, posted Feb. 6, 2014, [online], [visited Jan. 26, 2021], Internet, <URL: ;https://www.amazon.co.uk/Pearl-RL20-Bass-Drum-Lug/dp/B003V8BE94/ref> (Year: 2014).*
Amazon, ABMERTK Double-end Rectangular Drum lug, posted Jul. 11, 2020, [online], [visited Jan. 26, 2021], Internet, <URL: https://www.amazon.co.uk/ABMBERTK-Double-end-Rectangular-Accessories-Replacement/dp/B08CSQNJNS/ref> (Year: 2020).*
Amazon, ABMBERTK Single-end Drum lug, posted Jul. 11, 2020, [online], [visited Jan. 26, 2021], Internet, <URL: https://www.amazon.co.uk/ABMBERTK-Single-end-Connector-Accessories-Replacement/dp/B08CSPR1CT/ref> (Year: 2020).*

(**) Term: **15 Years**

(21) Appl. No.: **35/508,689**

(22) Filed: **Aug. 27, 2019**

(80) **Hague Agreement Data**

Int. Filing Date: **Aug. 27, 2019**

Int. Reg. No.: **DM/204254**

Int. Reg. Date: **Aug. 27, 2019**

Int. Reg. Pub. Date: **Feb. 28, 2020**

* cited by examiner

Primary Examiner — George D. Kirschbaum

Assistant Examiner — Samantha N Wood

(74) *Attorney, Agent, or Firm* — JCIPRNET

(51) **LOC (13) Cl.** **17-04**

(52) **U.S. Cl.**
USPC **D17/22**

(58) **Field of Classification Search**
USPC D17/22, 23, 99, 21, 20; D10/103, 52, 60, D10/80, 121; D8/321, 499; D7/387, D7/393, 395, 213
CPC G10D 13/00; G10D 13/01; G10D 13/02; G10D 13/10; G10D 13/16; G10D 13/18; G10D 13/25
See application file for complete search history.

(57) **CLAIM**

The ornamental design for a drum lug, as shown and described.

DESCRIPTION

- 1. Drum lug
- 1.1 : Perspective
- 1.2 : Front
- 1.3 : Back
- 1.4 : Left
- 1.5 : Right
- 1.6 : Top
- 1.7 : Bottom

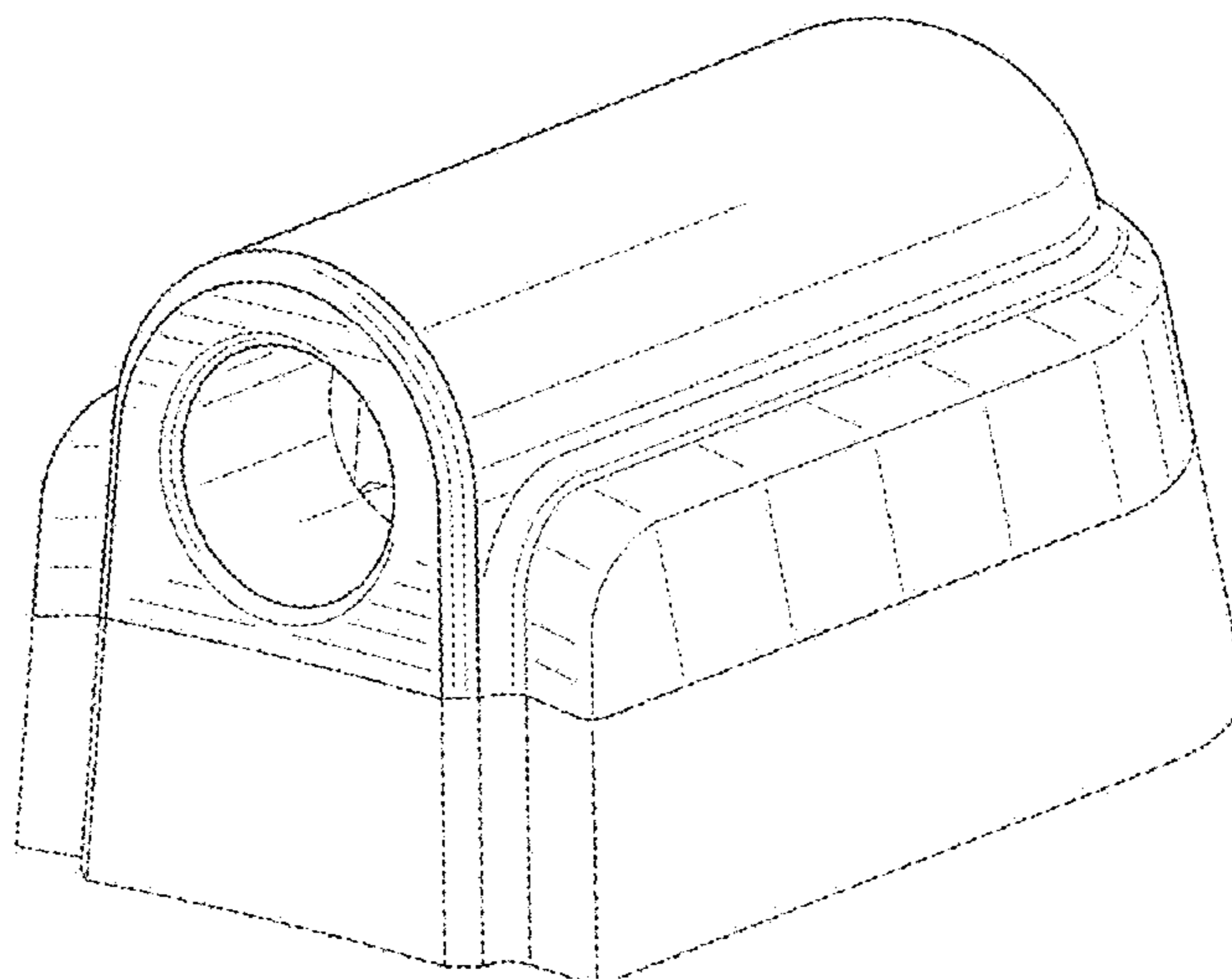
The dashed broken lines illustrate portions of the drum lug and form no part of the claimed design; the dot-dashed lines in figs. 1.1 to 1.6 define boundaries of the claimed design and form no part thereof.

(56) **References Cited**

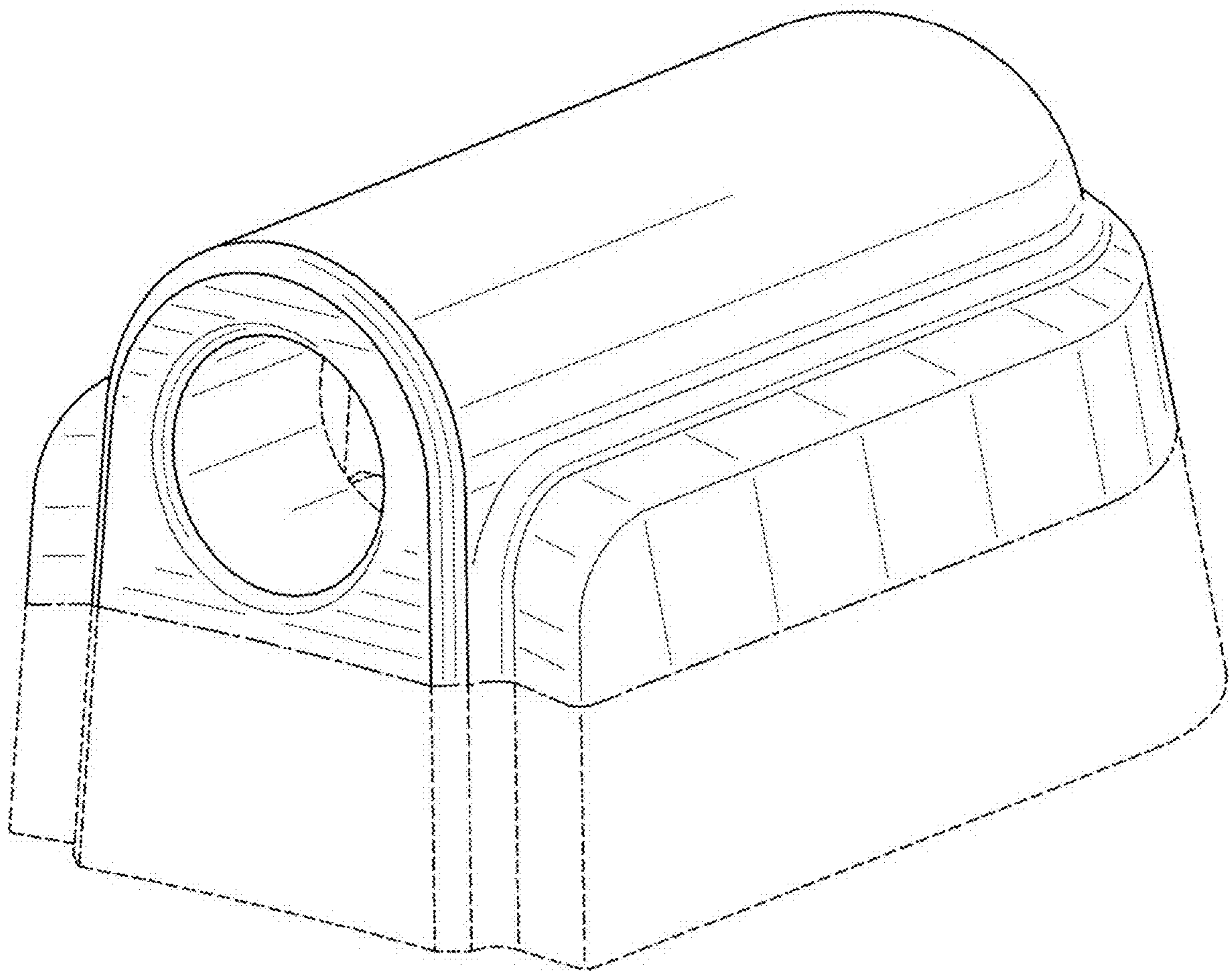
U.S. PATENT DOCUMENTS

4,242,937 A * 1/1981 Pozar G10H 3/146 84/725
D353,612 S * 12/1994 Yanagisawa D17/22
D502,498 S * 3/2005 Kida D18/18
D506,918 S * 7/2005 Nakajima D8/354
D707,286 S * 6/2014 Eberlen D17/20
9,767,773 B2 * 9/2017 Bedson G10D 13/16

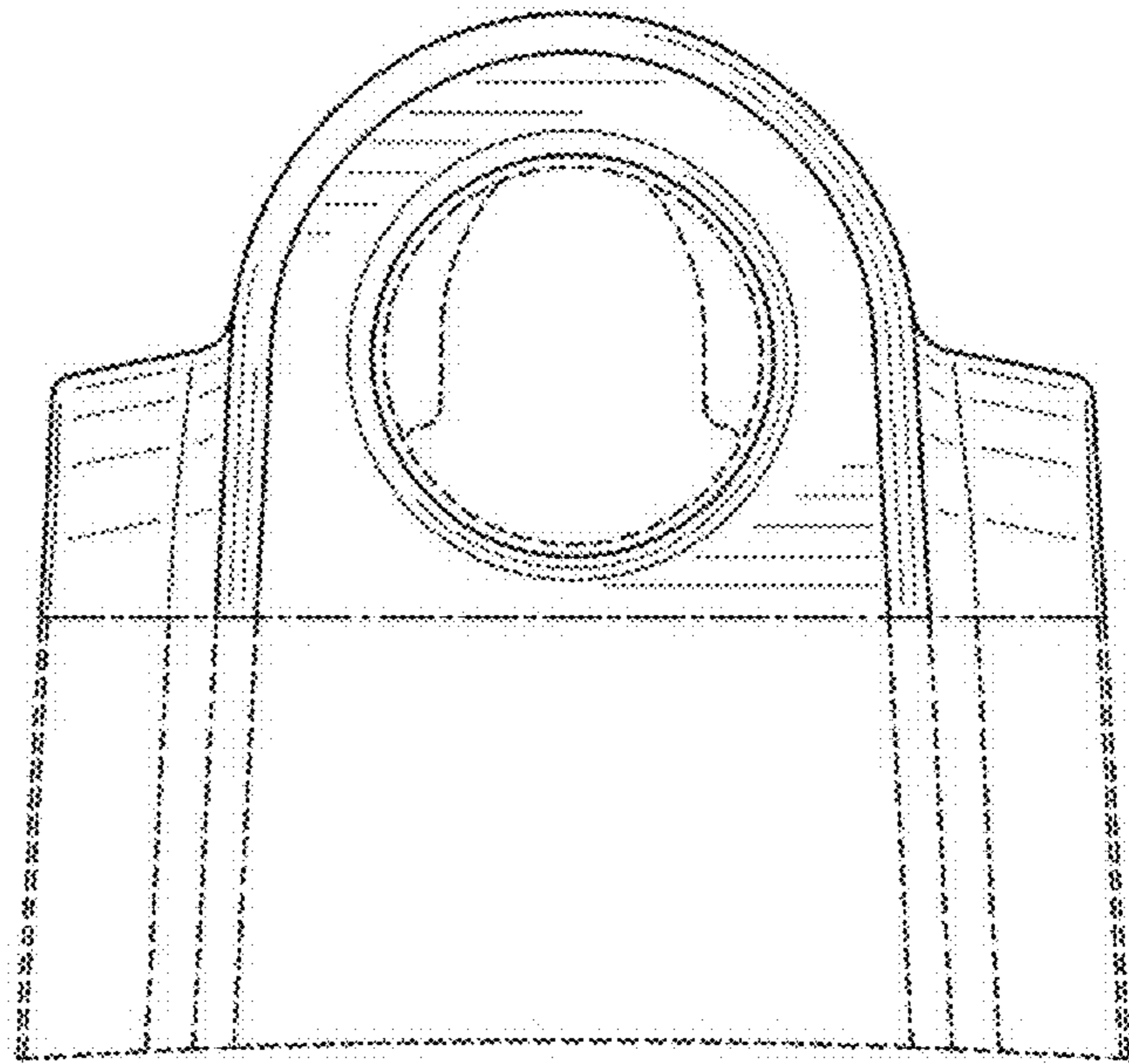
1 Claim, 7 Drawing Sheets



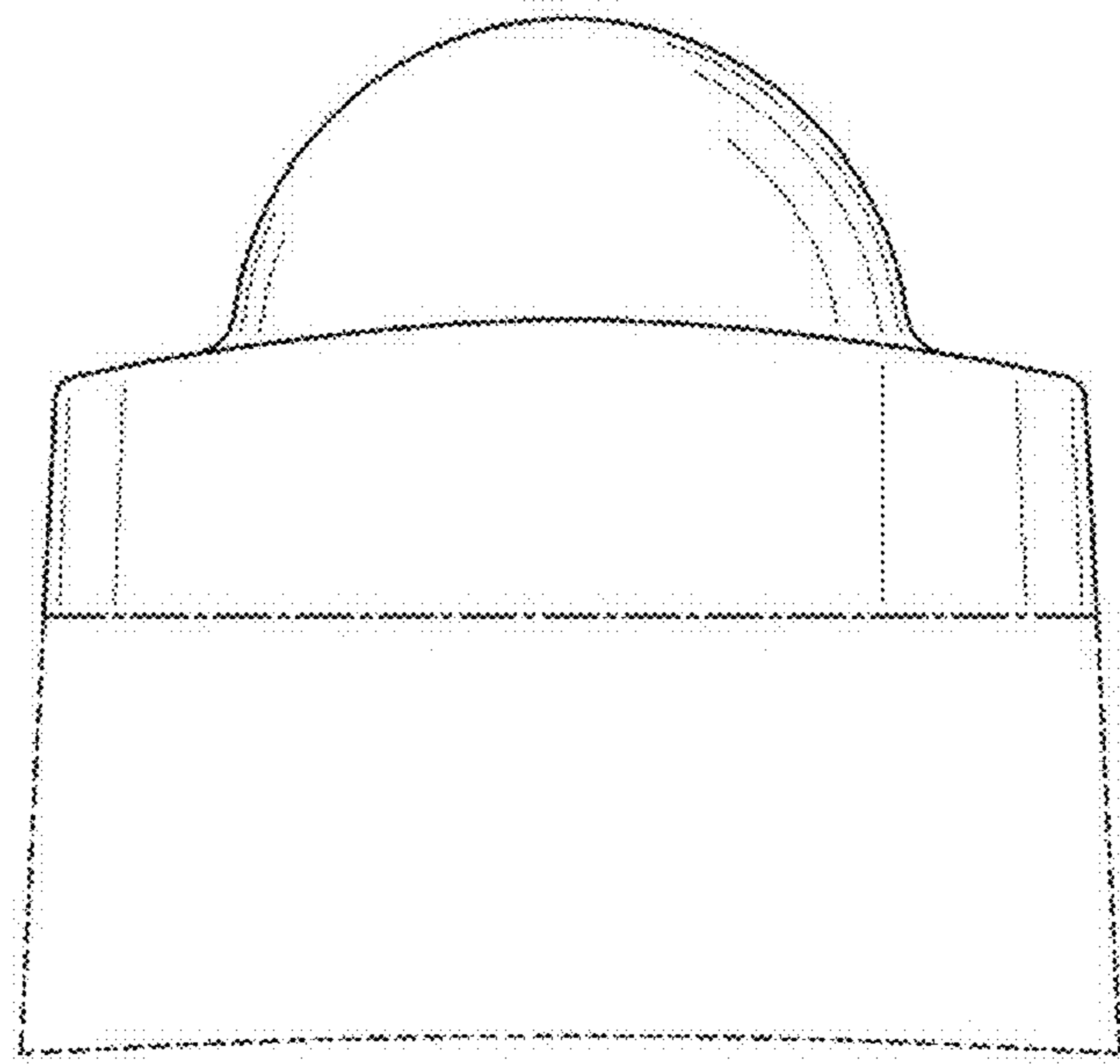
1.1



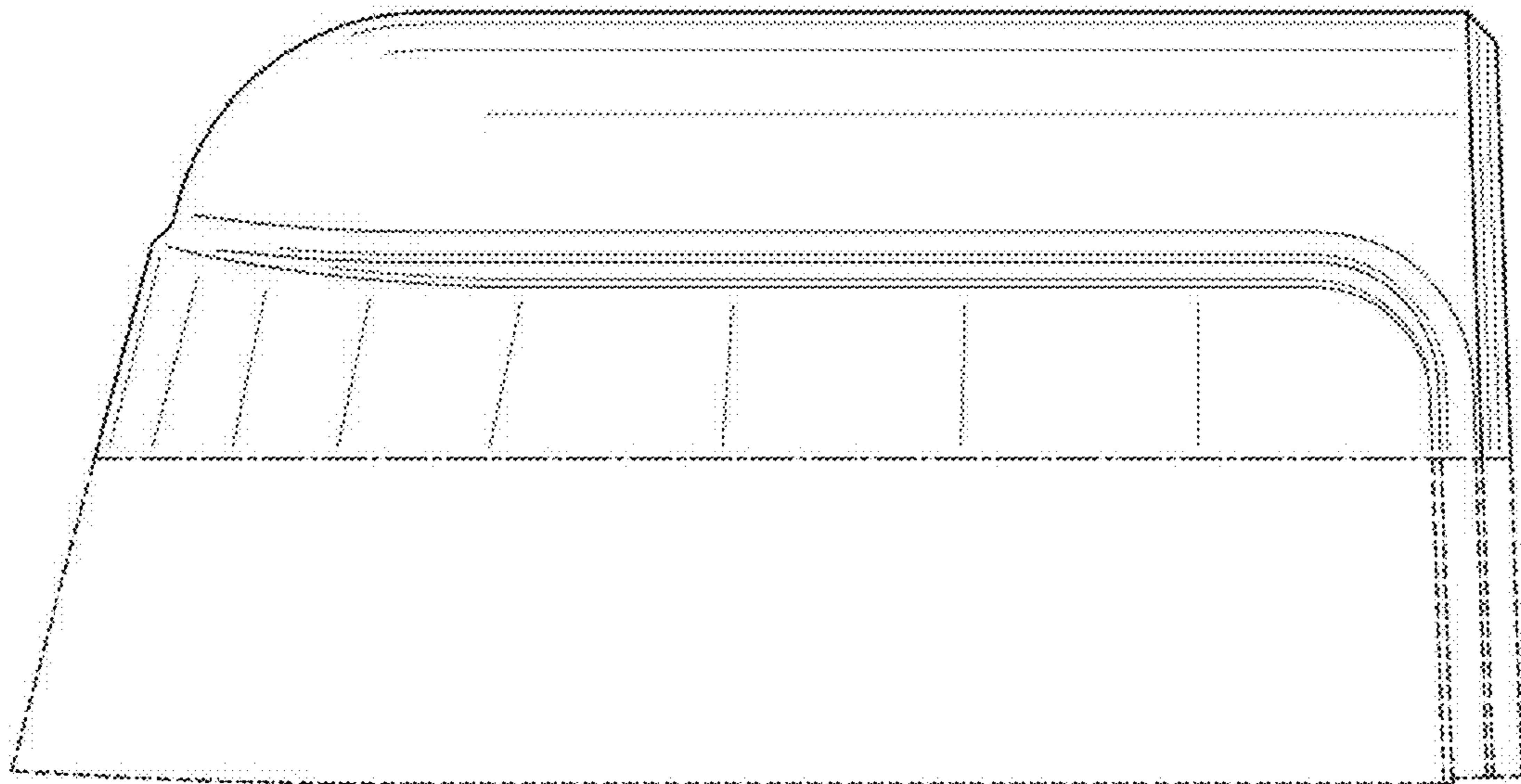
1.2



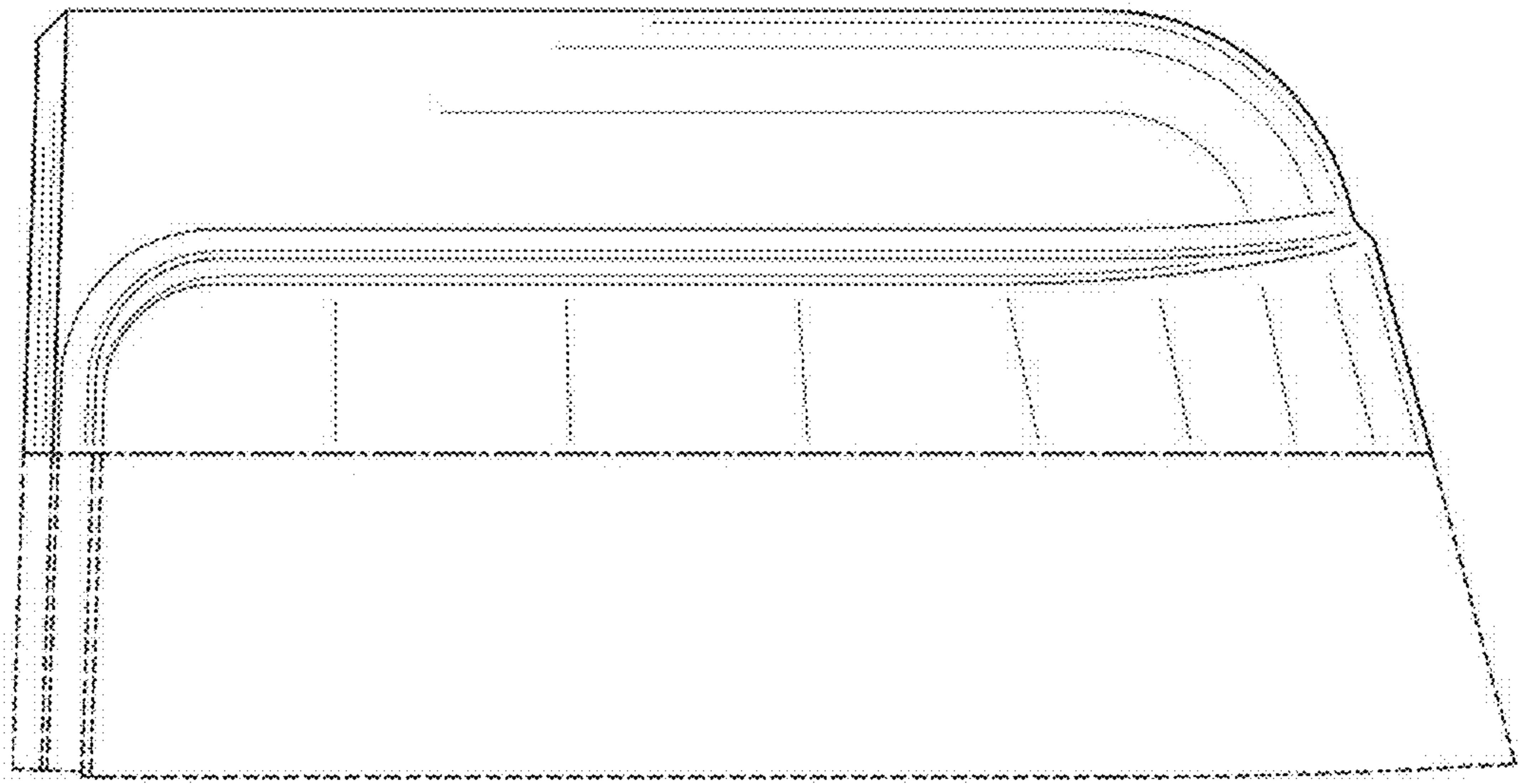
1.3



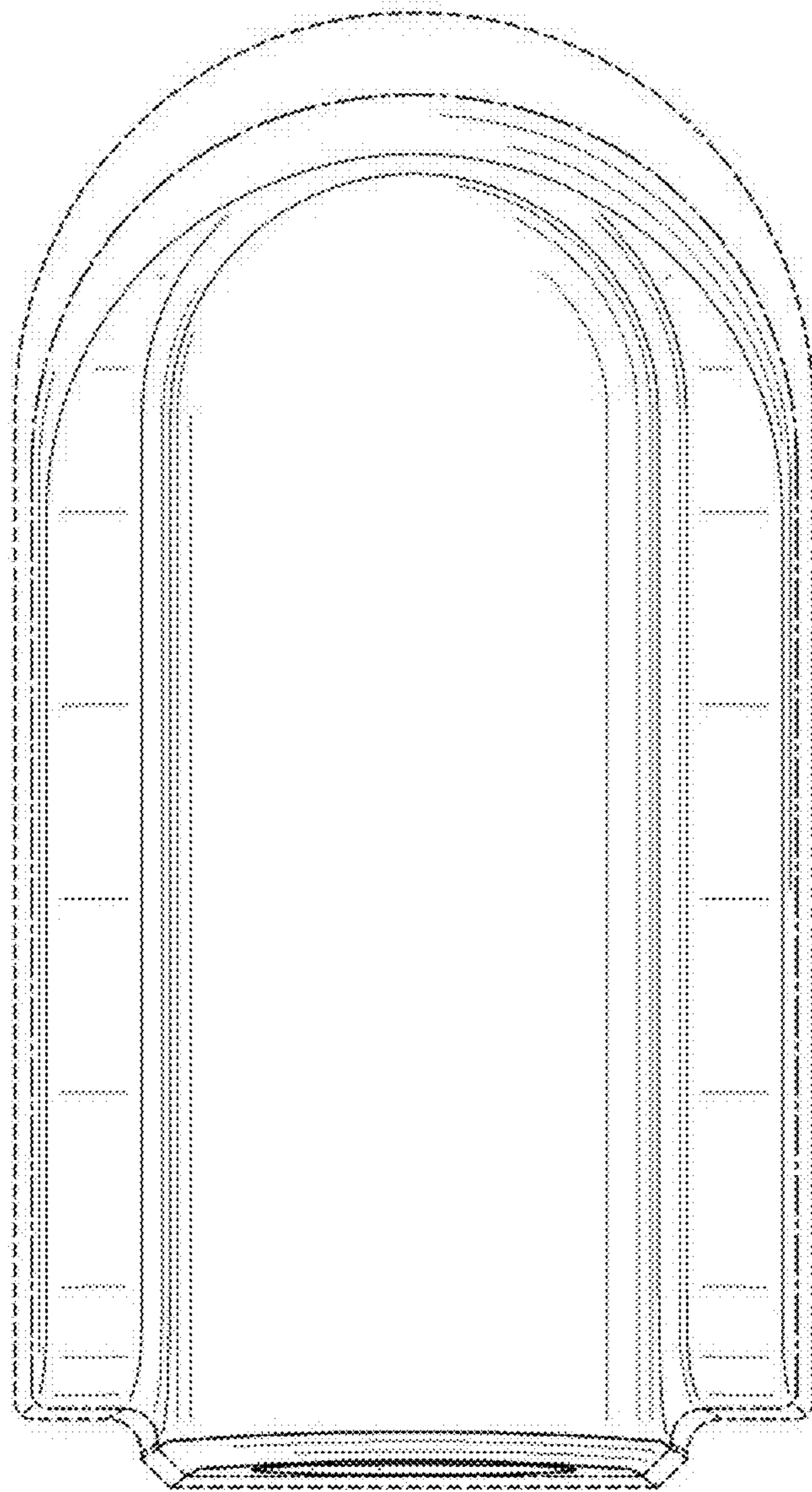
1.4



1.5



1.6



1.7

