



US00D916950S

(12) **United States Design Patent** (10) **Patent No.:** **US D916,950 S**
Bonath (45) **Date of Patent:** **** Apr. 20, 2021**

(54) **SAFETY GLASSES**

(71) Applicant: **Milwaukee Electric Tool Corporation,**
Brookfield, WI (US)

(72) Inventor: **Casey Bonath,** Milwaukee, WI (US)

(73) Assignee: **Milwaukee Electric Tool Corporation,**
Brookfield, WI (US)

(**) Term: **15 Years**

(21) Appl. No.: **29/692,250**

(22) Filed: **May 23, 2019**

(51) **LOC (13) Cl.** **16-06**

(52) **U.S. Cl.**
USPC **D16/335; D16/313**

(58) **Field of Classification Search**
USPC D16/315, 325, 313, 314, 335
CPC G02C 7/02
See application file for complete search history.

(56) **References Cited**

U.S. PATENT DOCUMENTS

D485,570 S *	1/2004	Teng	D16/314
D485,856 S *	1/2004	Wolfe	D16/314
D536,026 S *	1/2007	Bruck	D16/326
D616,917 S *	6/2010	Yang	D16/315
D865,854 S *	11/2019	Sheldon	D16/314
D890,247 S *	7/2020	Yang	D16/314
D901,580 S *	11/2020	Zhang	D16/313

FOREIGN PATENT DOCUMENTS

TW	D192493	8/2018
TW	D193242	10/2018
TW	D194008	11/2018
TW	D197118	4/2019

OTHER PUBLICATIONS

DeWalt Crosscut Safety Glasses, posted at tractorsupply.com, posting date not given, [online], [site visited Dec. 12, 2020]. Available

from Internet, URL: <https://www.tractorsupply.com/tsc/product/dewalt-crosscut-safety-glasses> (Year: 2020).*

Honeywell Uvex S3851 Safety Glasses, posted at zoro.com, posting date not given, [online], [site visited Dec. 12, 2020]. Available from Internet, URL: <https://www.zoro.com/honeywell-uvex-safety-glasses-unisex-blackred-frame-lens-color-clear-s3851/i/G1934385/> (Year: 2020).*

Safety Glasses, posted at milwaukeeetool.com, posting date not given, [online], [site visited Dec. 12, 2020]. Available from Internet, URL: <https://www.milwaukeeetool.com/Products/Safety-Solutions/Personal-Protective-Equipment/Safety-Glasses/Safety-Glasses> (Year: 2020).*

* cited by examiner

Primary Examiner — George D. Kirschbaum

Assistant Examiner — Maria J. Edwards

(74) *Attorney, Agent, or Firm* — Reinhart Boerner Van Deuren s.c.

(57) **CLAIM**

I claim the ornamental design for safety glasses, as shown and described.

DESCRIPTION

FIG. 1 is a front, top perspective view of safety glasses according to the present design;

FIG. 2 is a front, bottom perspective view thereof;

FIG. 3 is a rear, top perspective view thereof;

FIG. 4 is a rear, bottom perspective view thereof;

FIG. 5 is a front view thereof;

FIG. 6 is a rear view thereof;

FIG. 7 is a left view thereof;

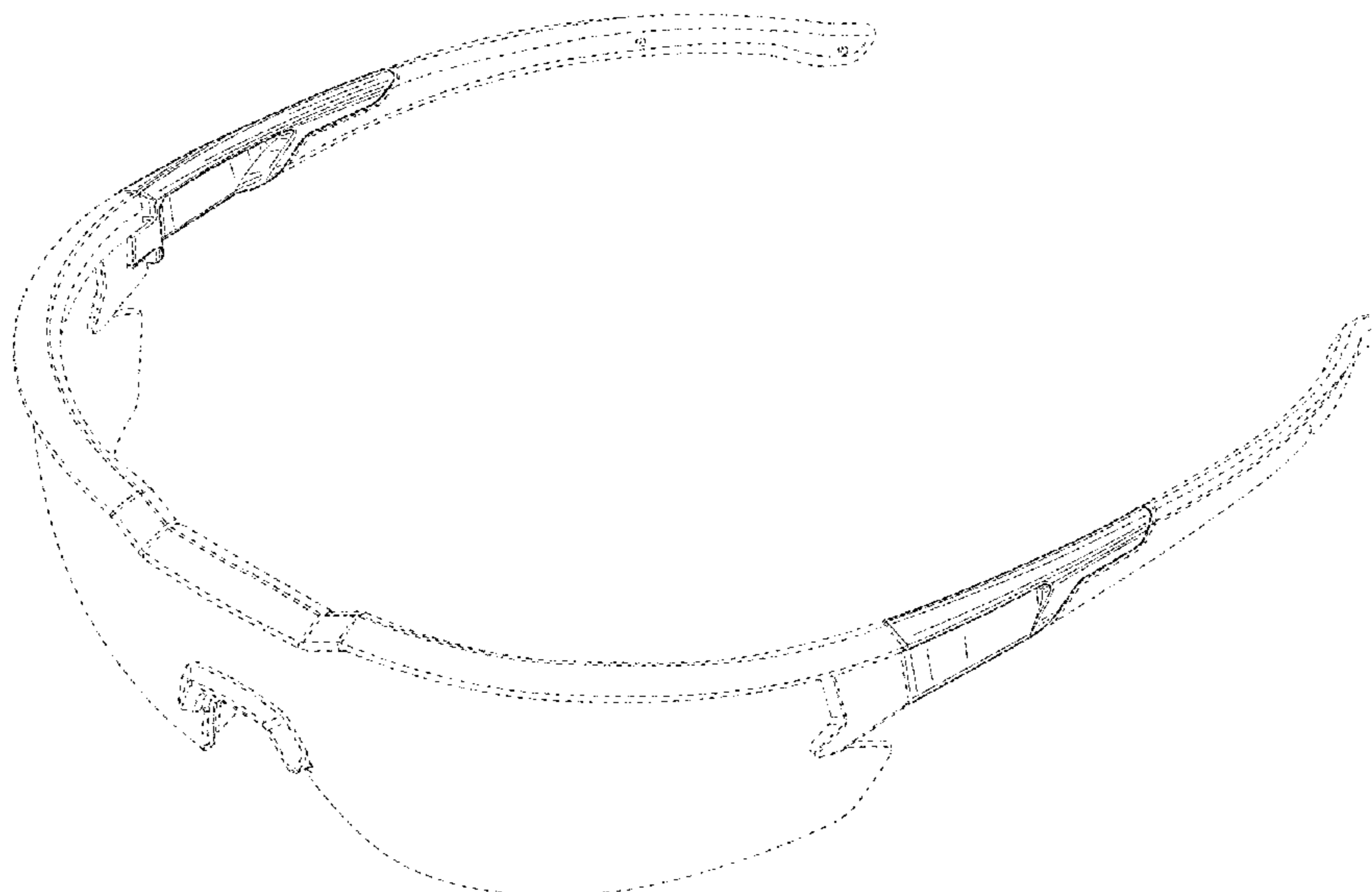
FIG. 8 is a right view thereof;

FIG. 9 is a top view thereof; and,

FIG. 10 is a bottom view thereof.

The broken lines illustrate portions of the article and form no part of the claimed design.

1 Claim, 8 Drawing Sheets



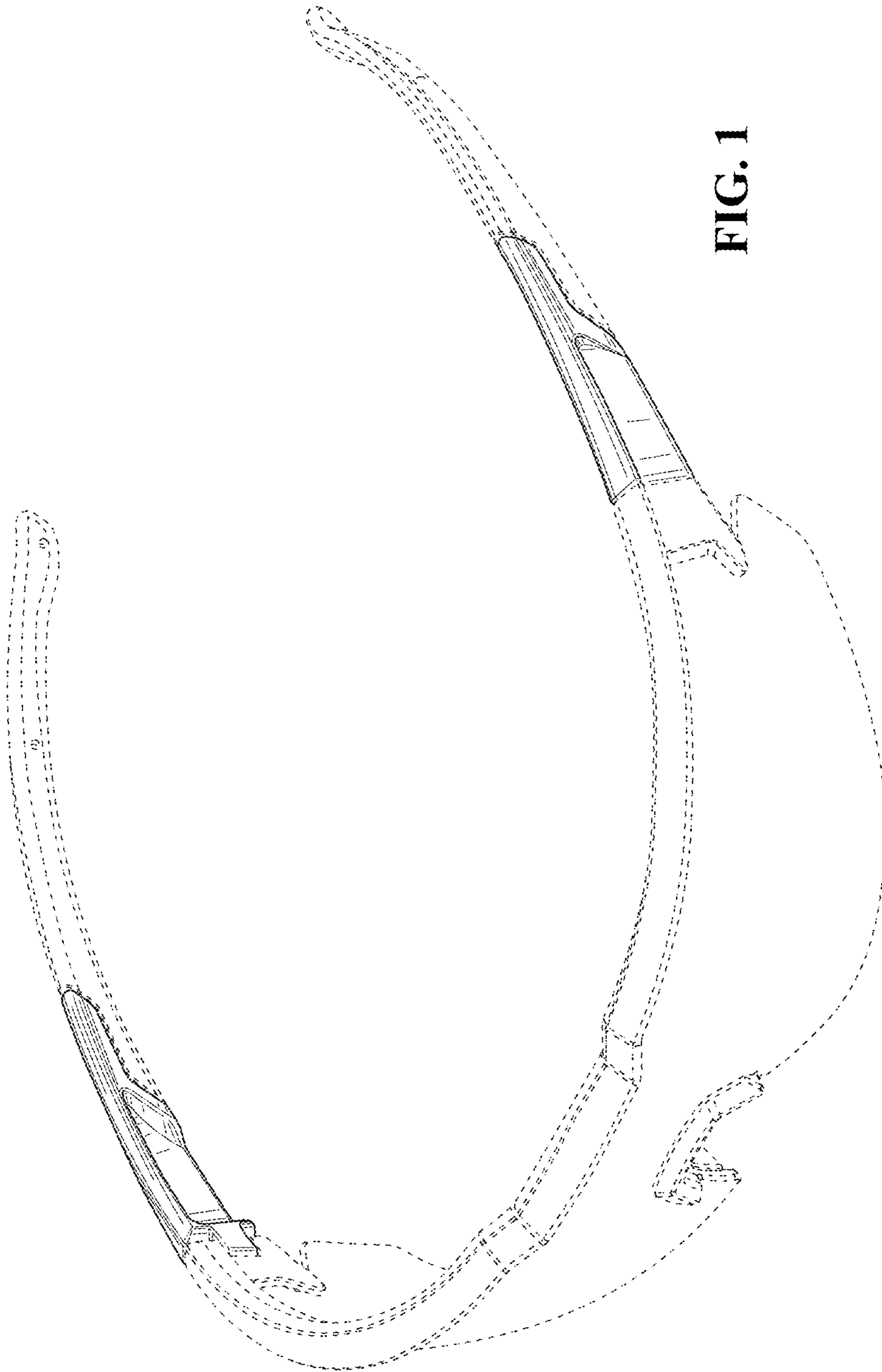


FIG. 1

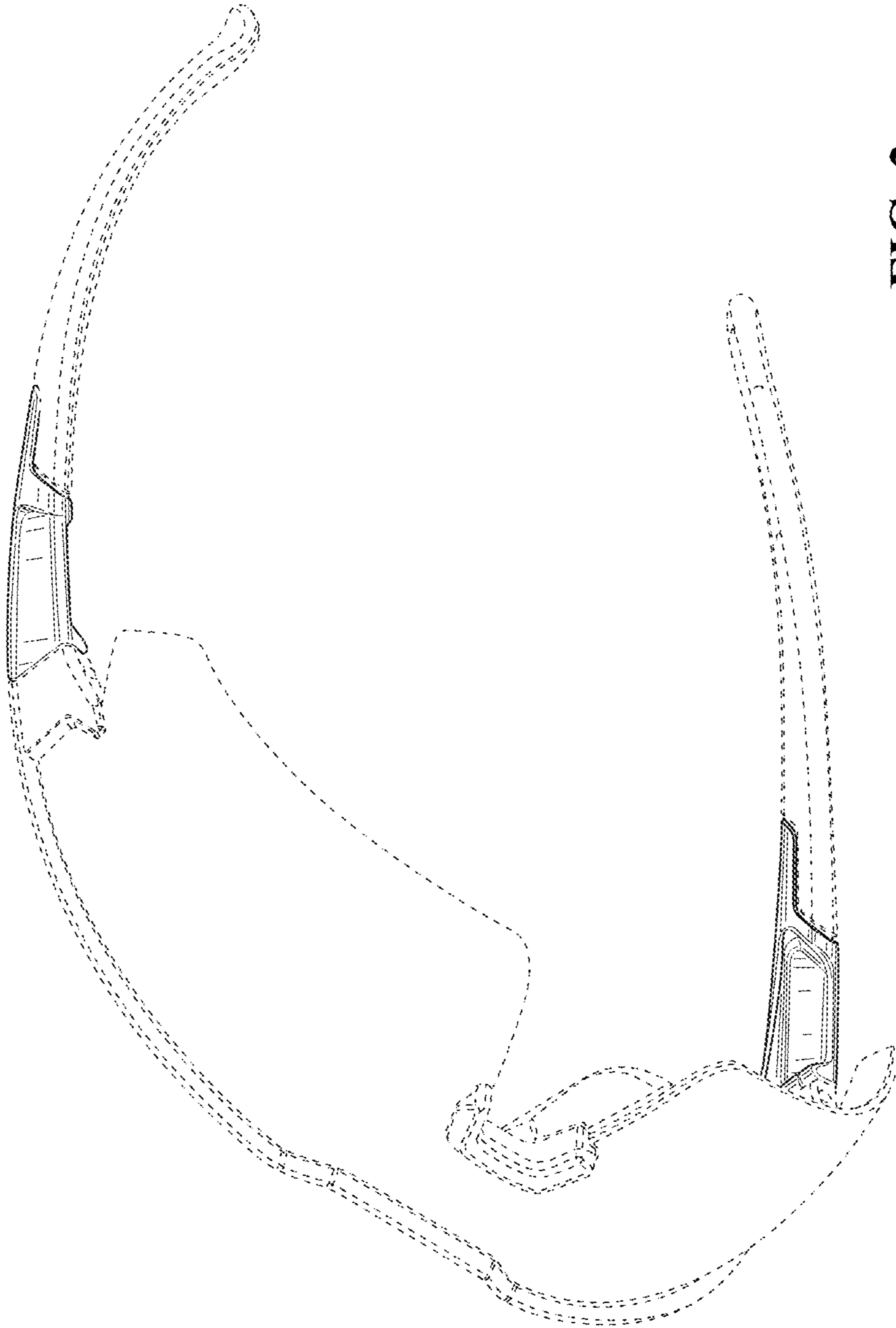


FIG. 2

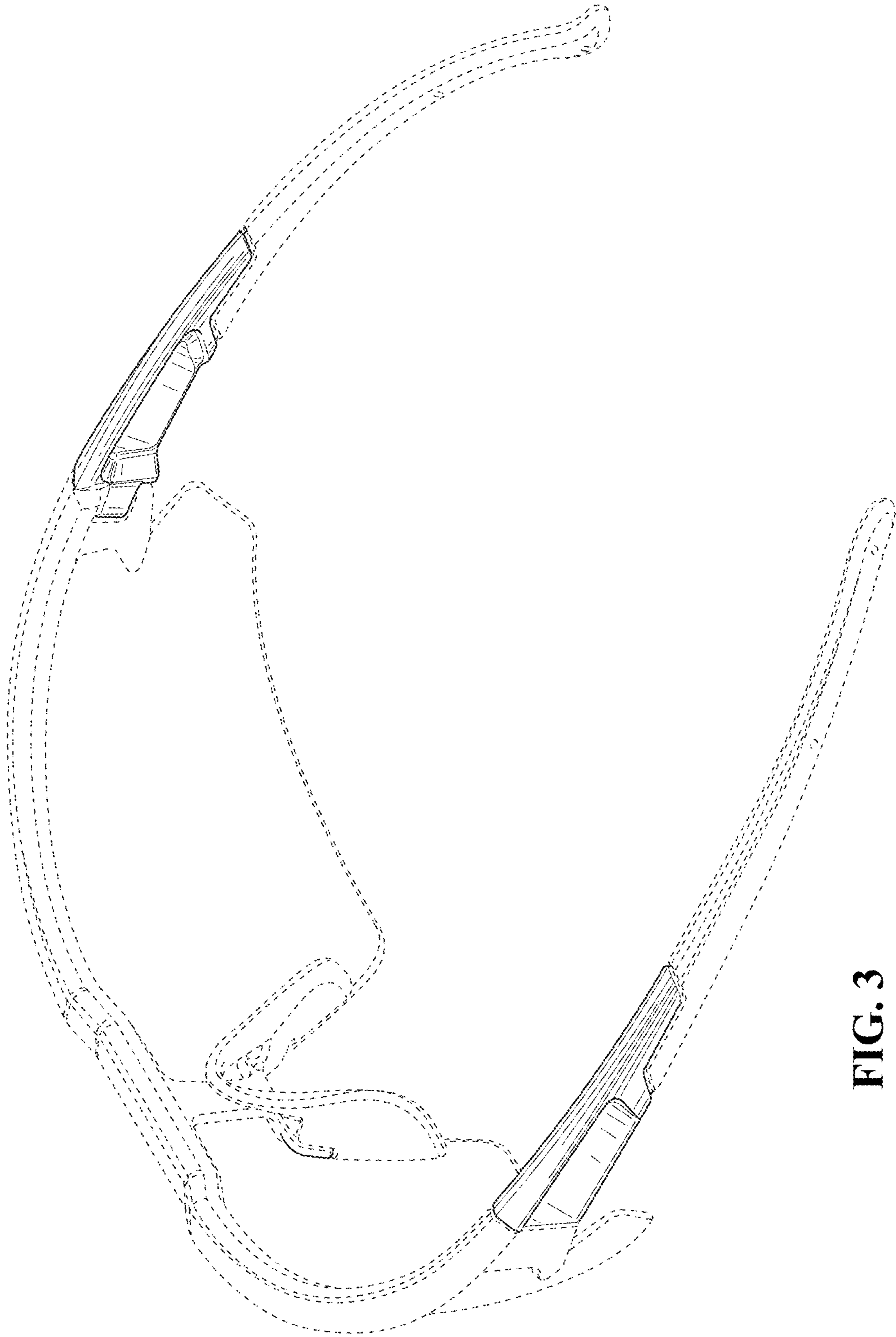


FIG. 3

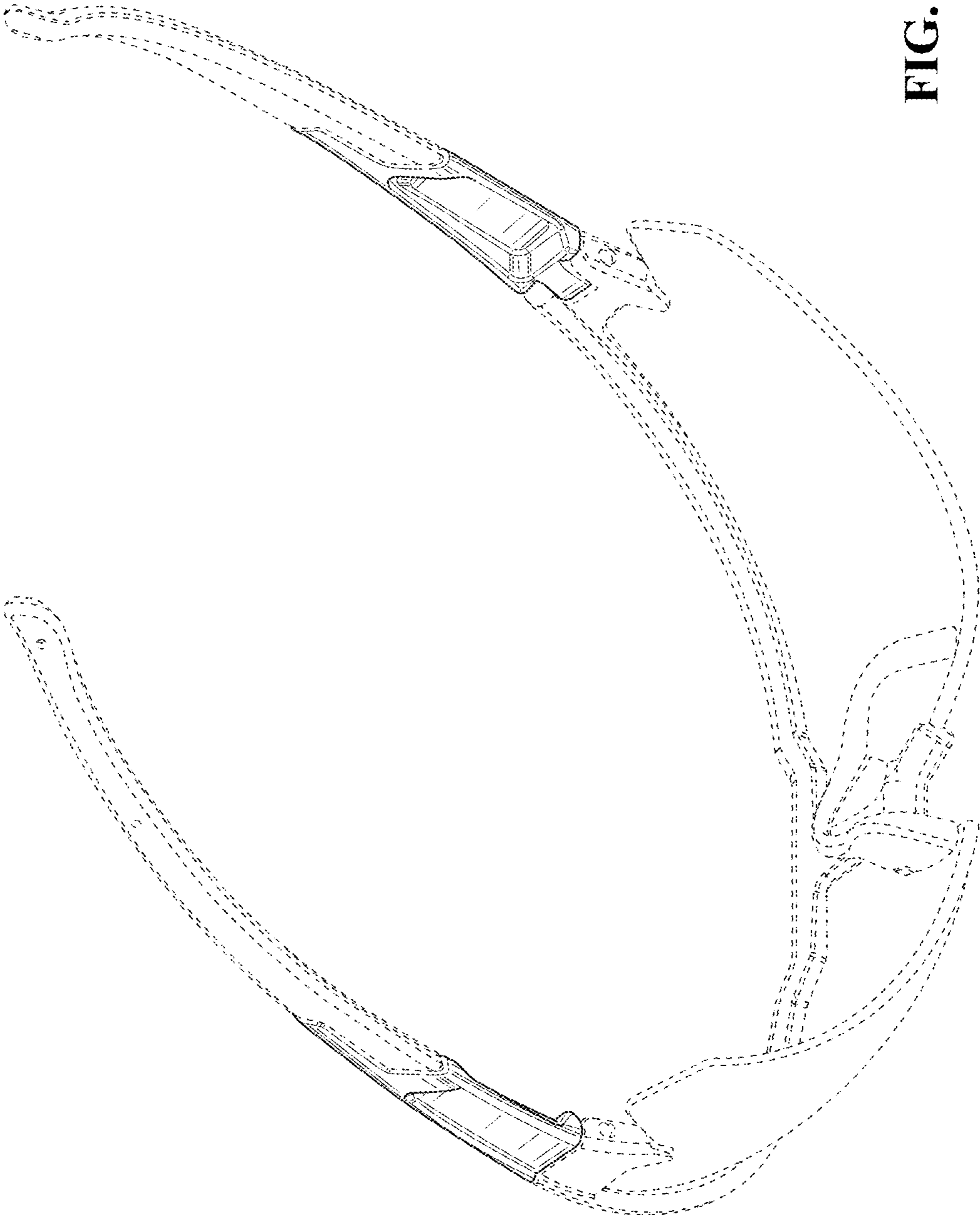


FIG. 4

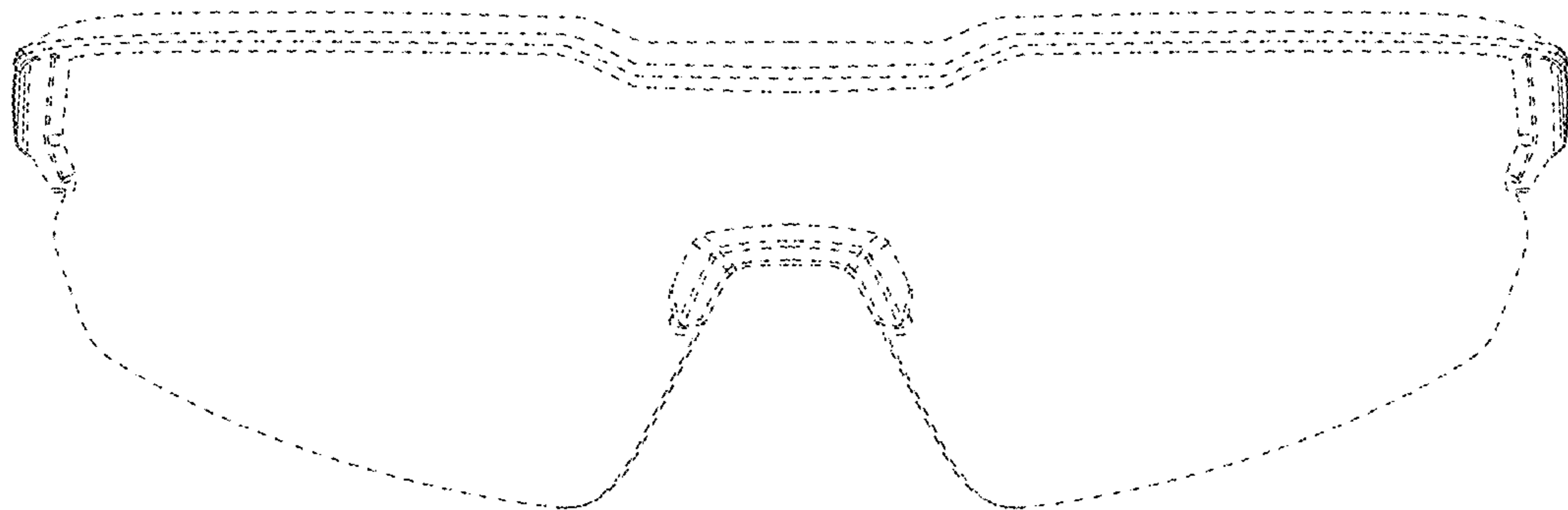


FIG. 5

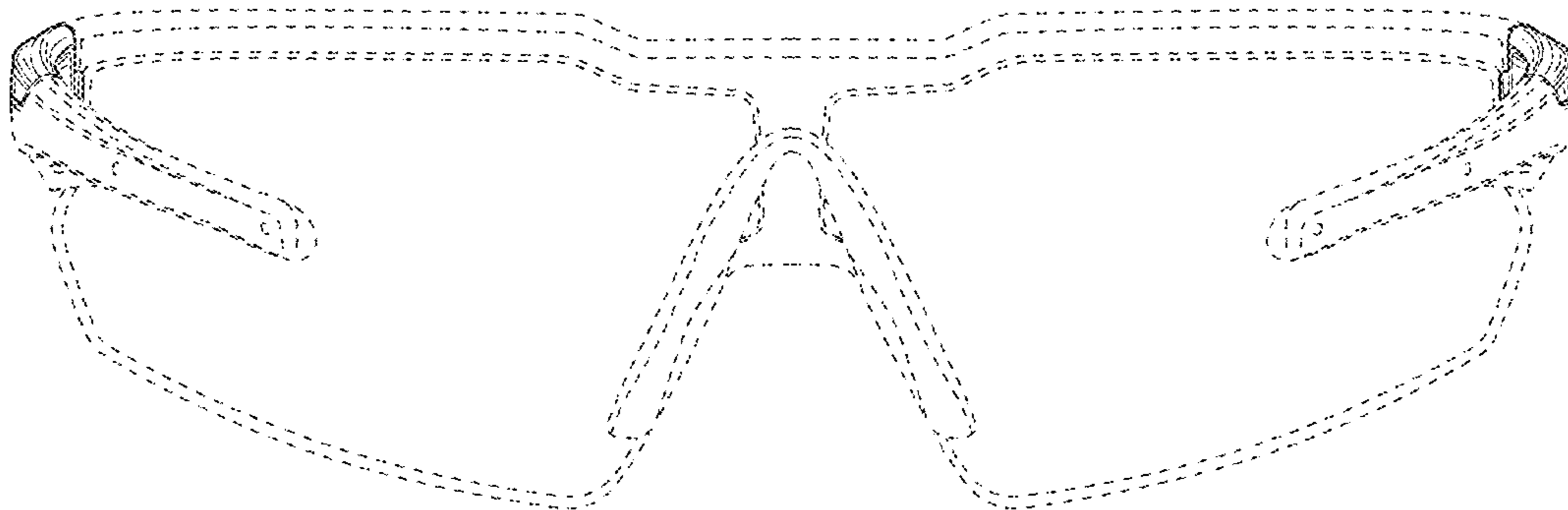


FIG. 6

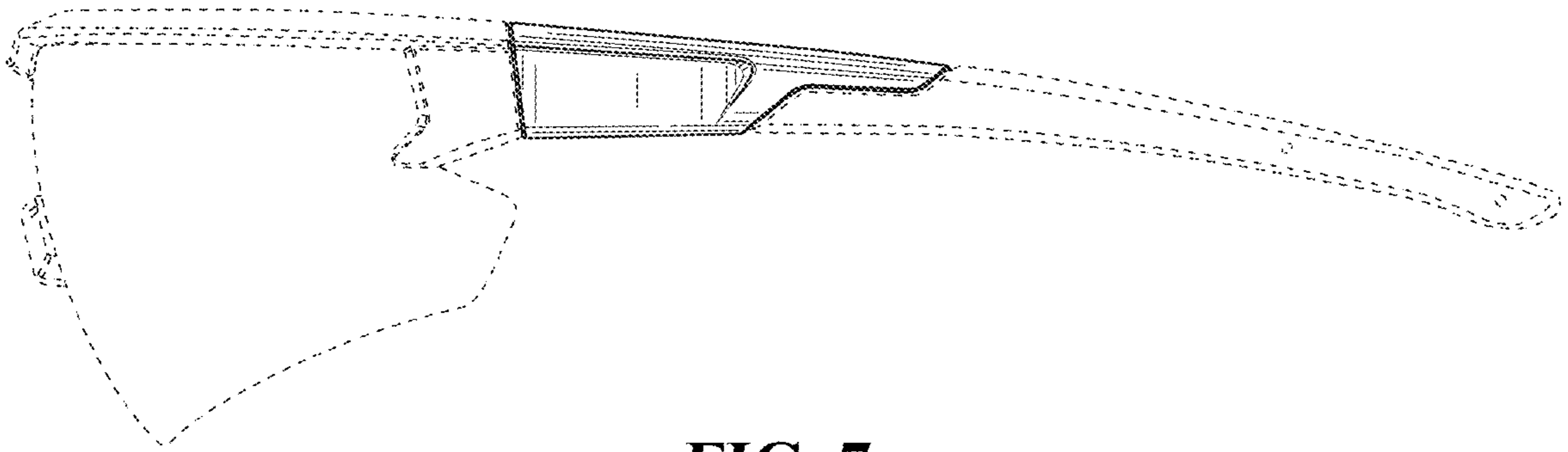


FIG. 7

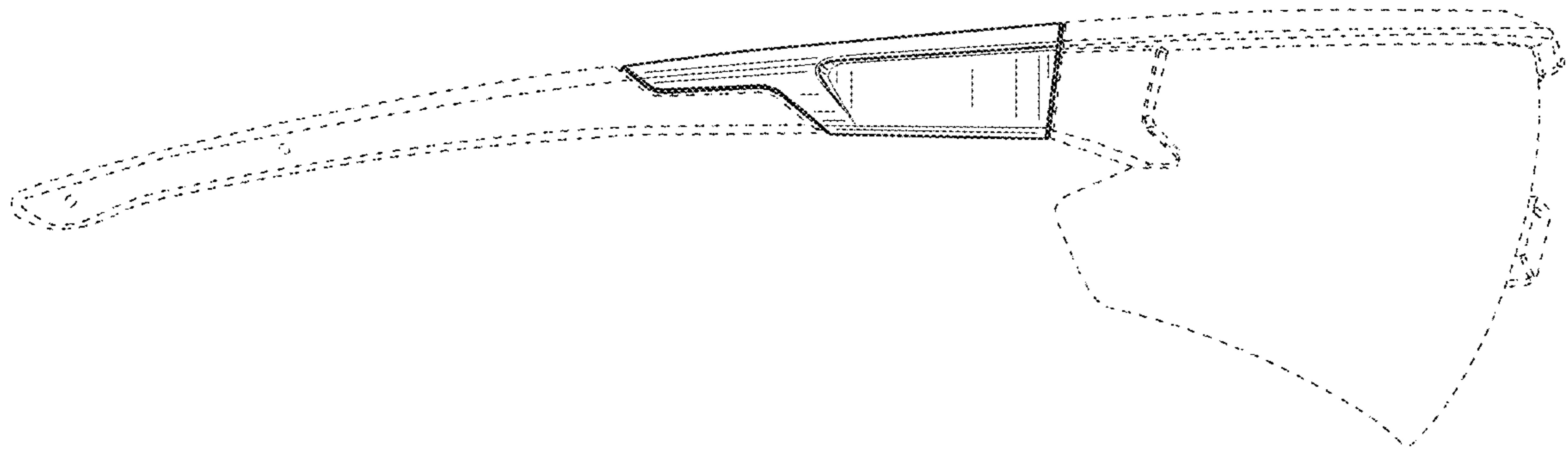


FIG. 8

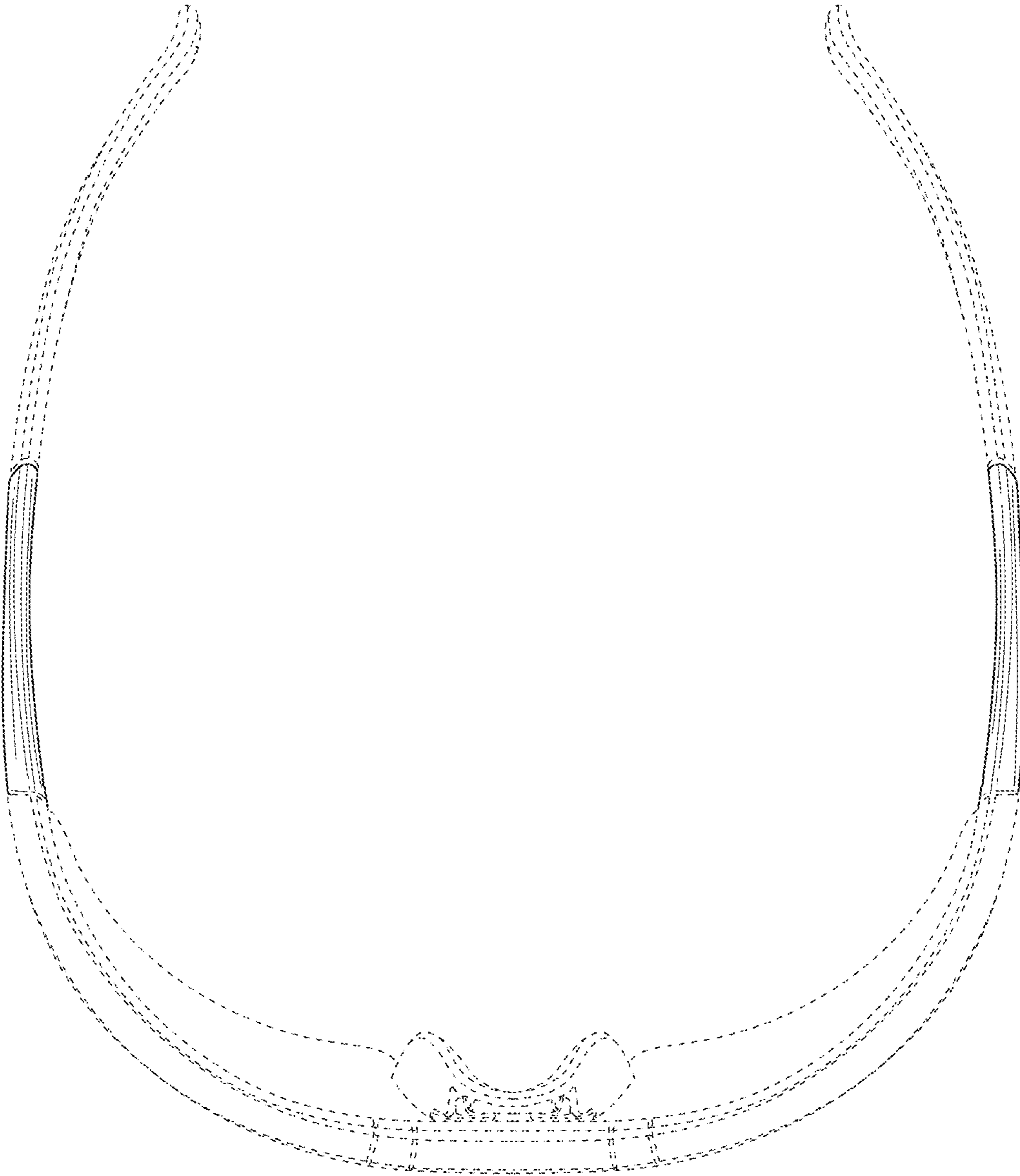


FIG. 9

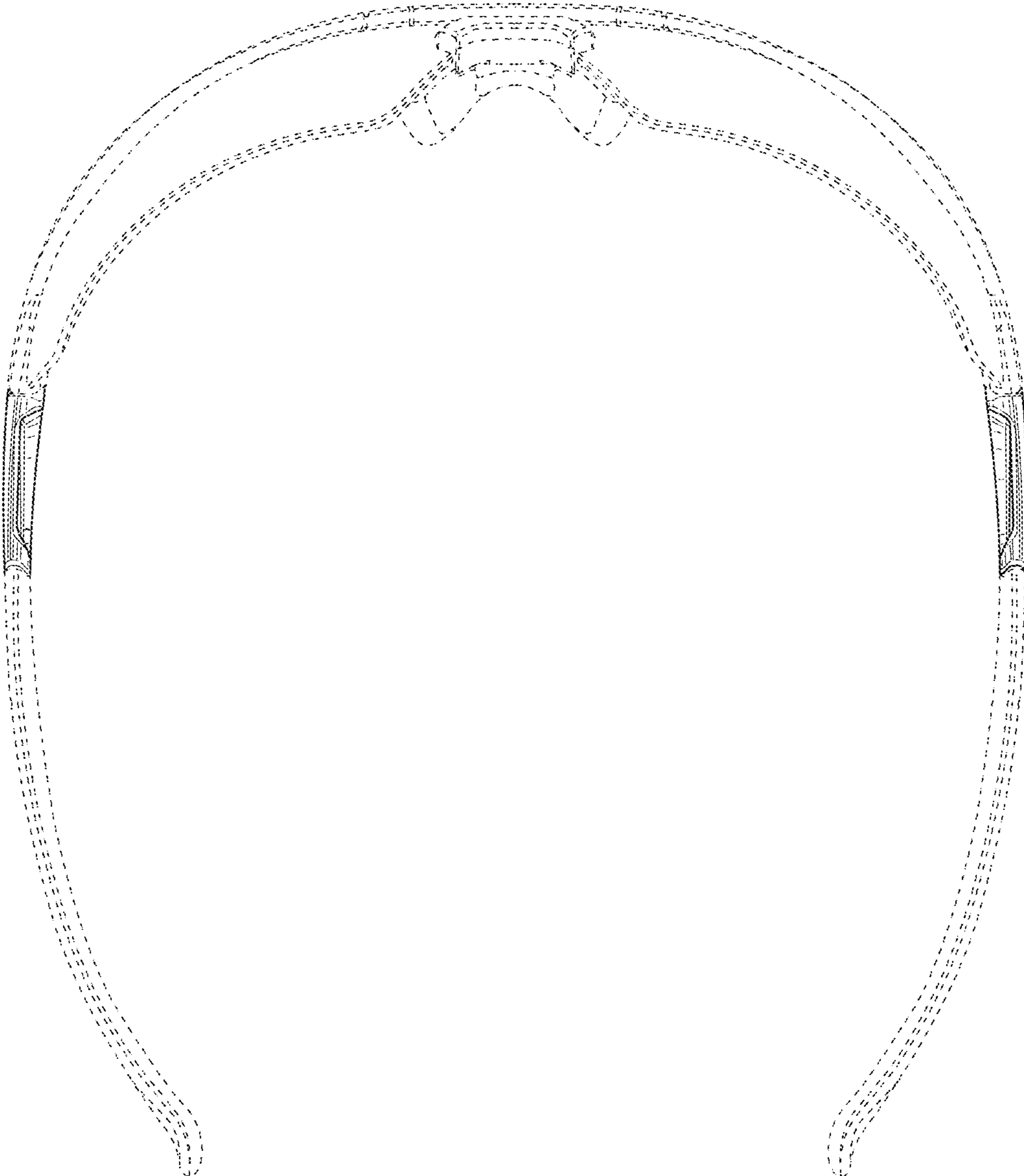


FIG. 10