



US00D916947S

(12) **United States Design Patent**
Wilson et al.

(10) **Patent No.:** **US D916,947 S**
(45) **Date of Patent:** **** Apr. 20, 2021**

- (54) **GLASSES WITH LENS INSERTS**
- (71) Applicants: **Ken Wilson**, Yuma, AZ (US); **Rich Belitz**, San Diego, CA (US)
- (72) Inventors: **Ken Wilson**, Yuma, AZ (US); **Rich Belitz**, San Diego, CA (US)
- (**) Term: **15 Years**
- (21) Appl. No.: **29/648,299**
- (22) Filed: **May 20, 2018**

D647,947 S *	11/2011	Yu	D16/309
D674,836 S *	1/2013	Chen	D16/326
D676,479 S *	2/2013	Yoo	D16/326
D697,963 S *	1/2014	Earley	D16/326
D706,861 S *	6/2014	Hou	D16/326
D723,610 S *	3/2015	Chen	D16/300
D746,363 S *	12/2015	Chen	D16/311

(Continued)

Primary Examiner — Sanjeev Paul
(74) *Attorney, Agent, or Firm* — Donn K. Harms

Related U.S. Application Data

- (63) Continuation-in-part of application No. 29/648,298, filed on May 20, 2018, now Pat. No. Des. 898,093.
- (51) **LOC (13) Cl.** **16-06**
- (52) **U.S. Cl.**
USPC **D16/300**
- (58) **Field of Classification Search**
USPC D16/101, 300–342, 900; D29/109–110; D21/483, 659–661; D14/372; 351/41, 351/44, 45–48, 51–52, 62, 158, 92, 351/103–123, 140–153, 63, 59; 2/13, 15, 2/426–432, 447–449, 441, 434–437
CPC G02C 2200/08; G02C 1/06; G02C 5/14; G02C 11/02; G02C 11/04; G02C 5/16; G02C 2200/22; G02C 5/146; G02C 5/2254; G02C 5/008; G01C 5/16; A61M 2021/0044; A63B 33/002
See application file for complete search history.

(57) **CLAIM**

We claim the ornamental design for glasses with lens insert, as shown and described.

DESCRIPTION

FIG. 1 shows an exploded view of glasses with lens inserts; FIG. 2 shows a perspective view of the glasses with lens inserts; FIG. 3 shows an alternative perspective view of the glasses with lens inserts; FIG. 4 shows a top view of the glasses with lens inserts; FIG. 5 shows a bottom view of the glasses with lens inserts; FIG. 6 shows a left-side view of the glasses with lens inserts; FIG. 7 shows a right-side view of the glasses with lens inserts; FIG. 8 shows a front view of the glasses with lens inserts; FIG. 9 shows a rear view of the glasses with lens inserts; FIG. 10 shows another perspective view of the glasses with lens inserts; and, FIG. 11 shows yet another perspective view of the glasses with lens inserts.

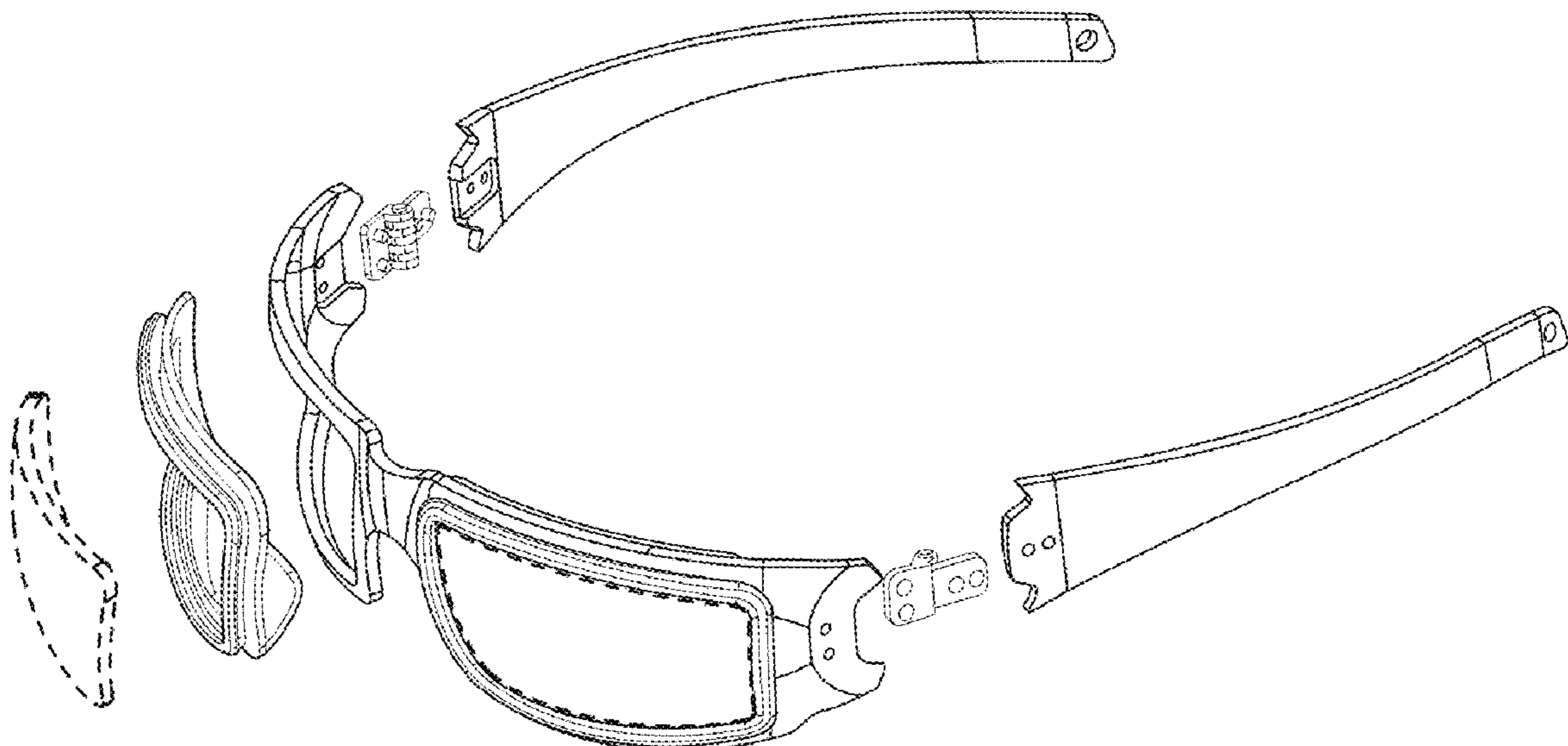
A design for glasses with lens inserts is disclosed. The design includes a frame front, arms (temples) and a lens inserts as-illustrated; however, the lenses do not form part of the design.

(56) **References Cited**

U.S. PATENT DOCUMENTS

D596,662 S *	7/2009	Gonzalez	D16/323
D632,721 S *	2/2011	Chou	D16/326
8,020,988 B2 *	9/2011	Ogren	G02C 5/16 16/228
D646,316 S *	10/2011	Zhao	D16/309

1 Claim, 6 Drawing Sheets



(56)

References Cited

U.S. PATENT DOCUMENTS

D746,364	S	*	12/2015	Chen	D16/311
D748,720	S	*	2/2016	Lee	D16/326
D757,156	S	*	5/2016	Wu	D16/315
D759,150	S	*	6/2016	Lin	D16/315
D774,121	S	*	12/2016	Earley	D16/101
D777,829	S	*	1/2017	Chen	D16/326
D811,468	S	*	2/2018	Yang	D16/315
D824,450	S	*	7/2018	Samo	D16/325
D849,128	S	*	5/2019	Chou	D16/326
D849,822	S	*	5/2019	Marron	D16/309
D862,572	S	*	10/2019	Lin	D16/321
D898,093	S	*	10/2020	Wilson	D16/101
D900,207	S	*	10/2020	Chen	D16/325
2015/0343292	A1	*	12/2015	Leech	A63B 69/36 473/407
2019/0235269	A1	*	8/2019	Wilson	G02C 1/06
2020/0174280	A1	*	6/2020	Wilson	G02C 5/008
2020/0241326	A1	*	7/2020	Huang	G02C 1/04

* cited by examiner

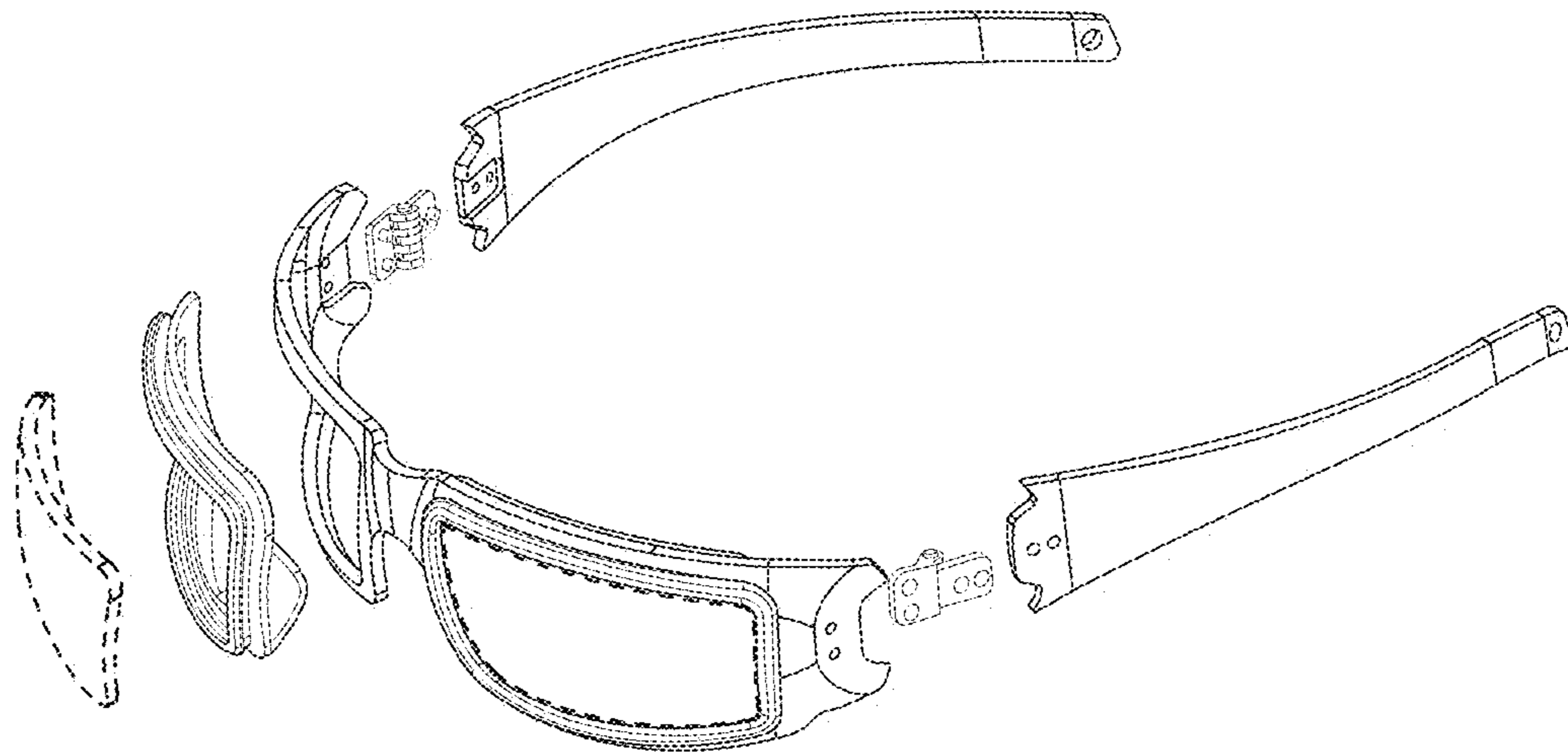


FIG. 1

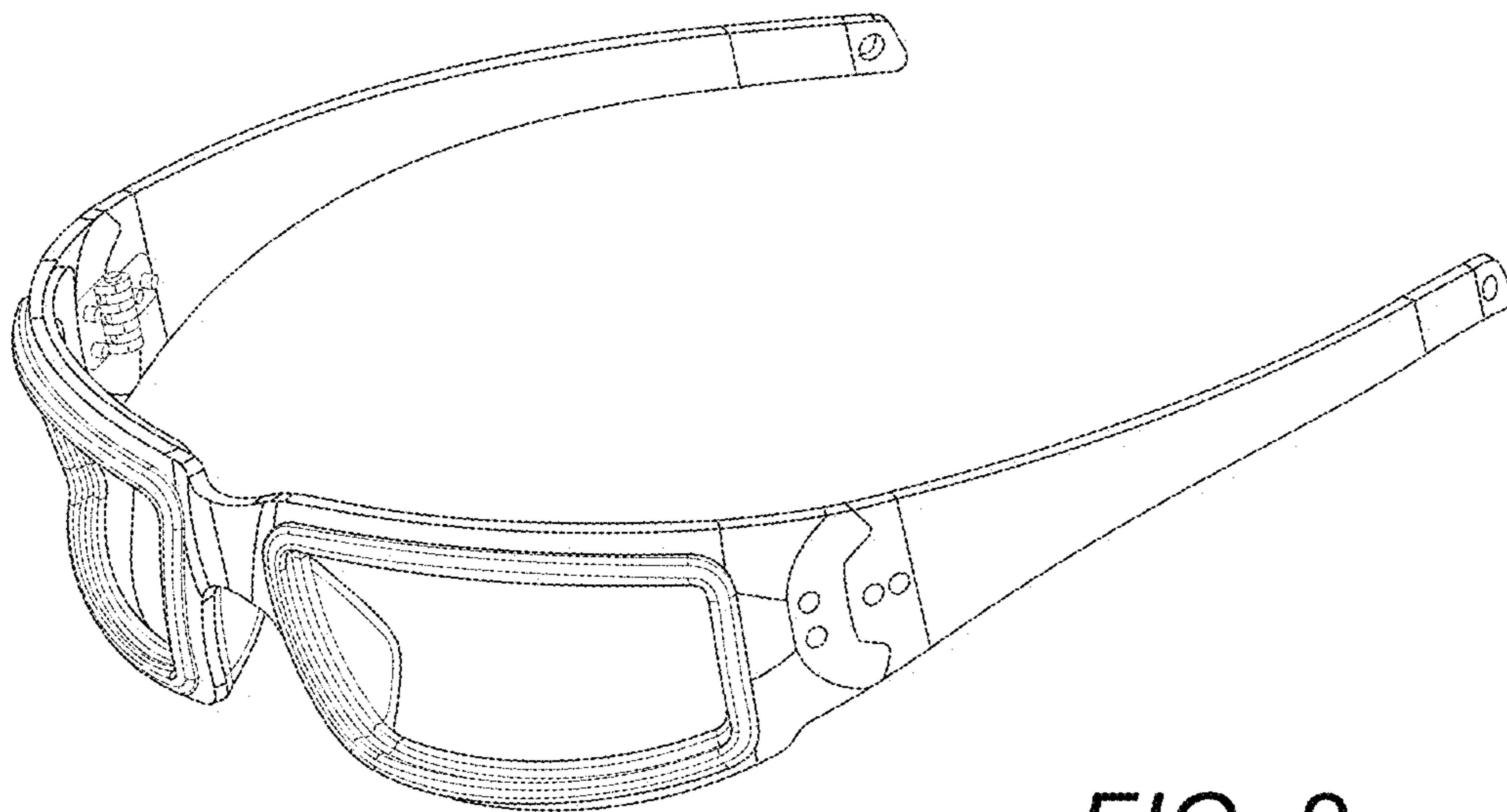


FIG. 2

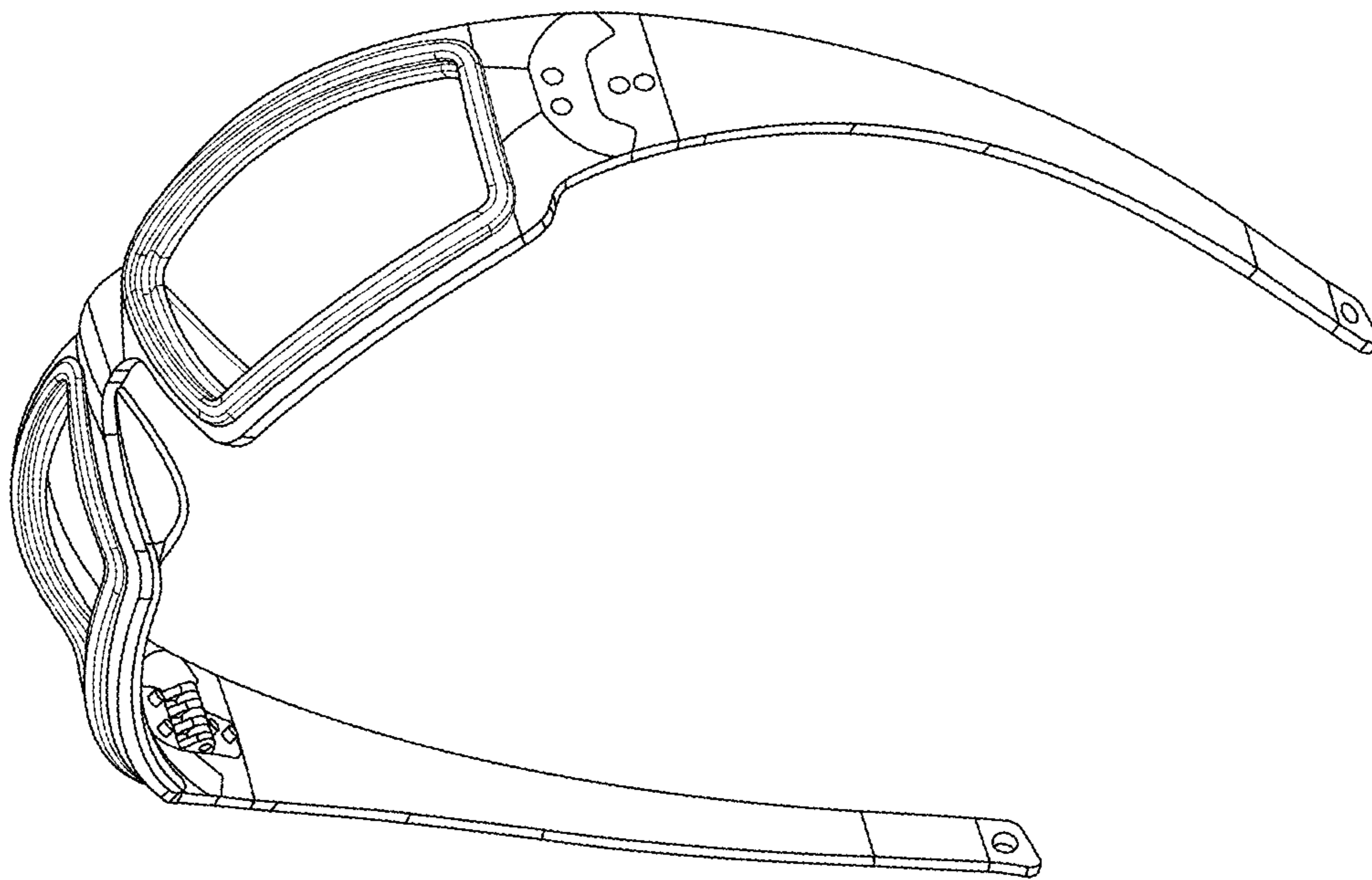


FIG. 3

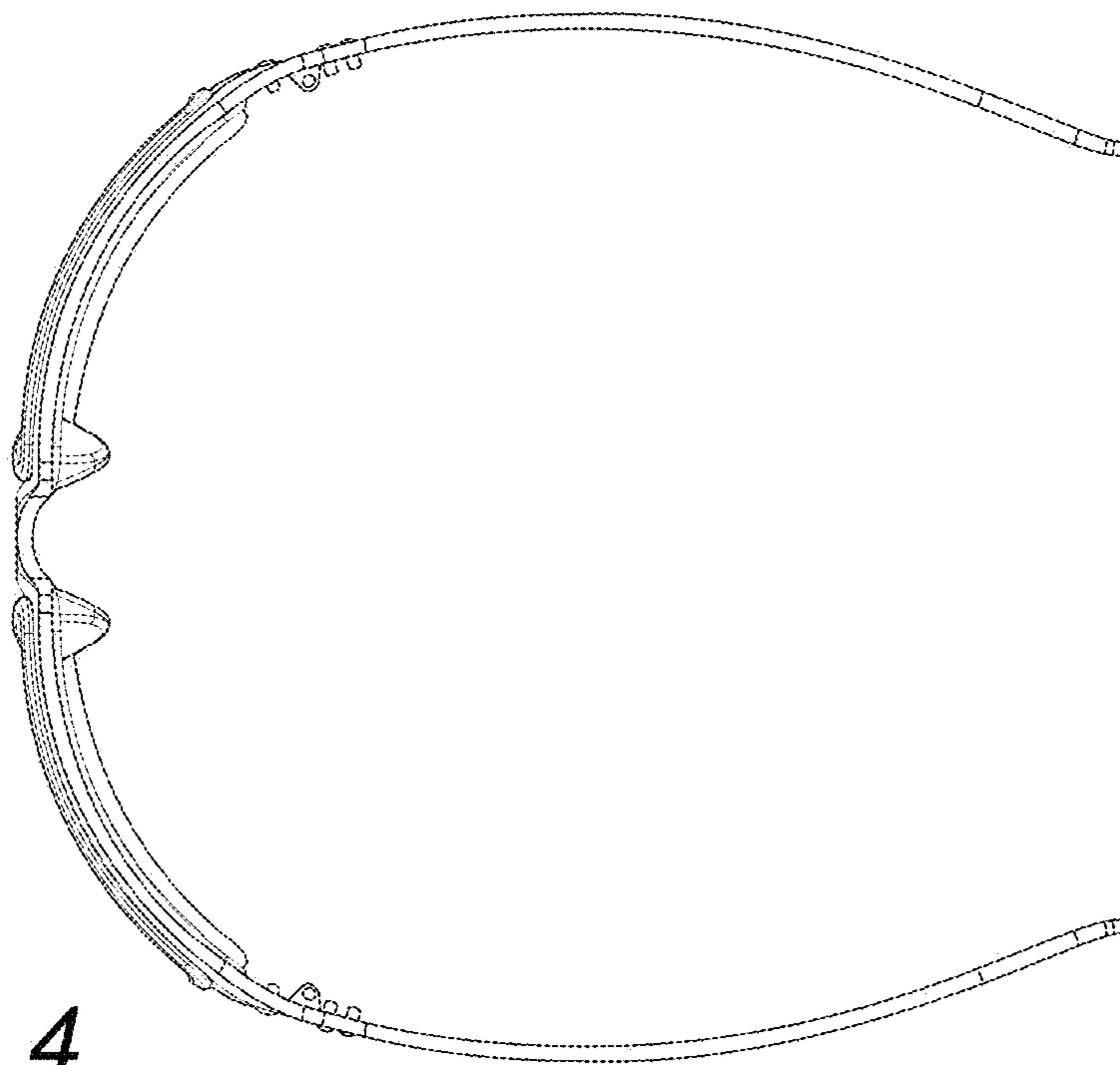


FIG. 4

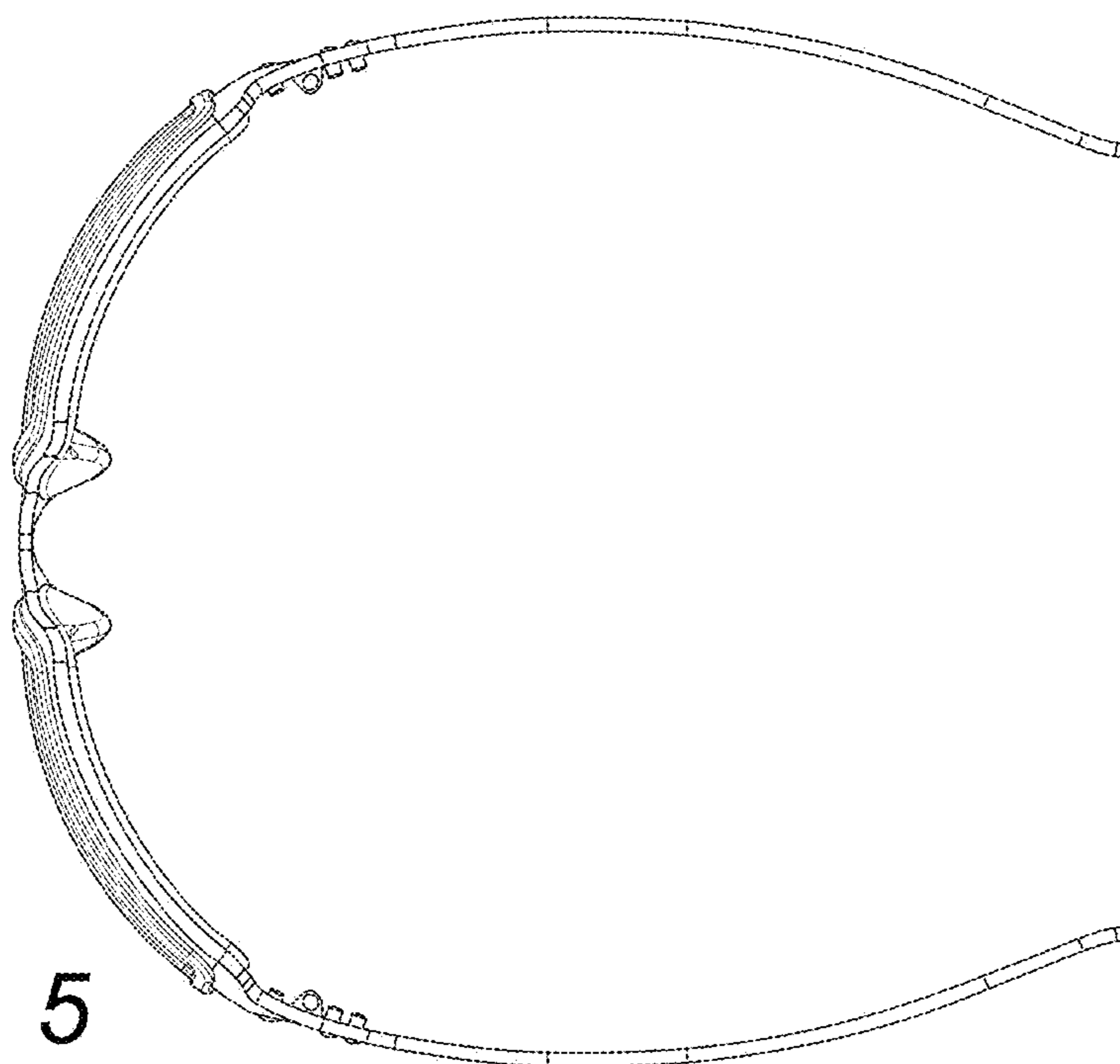


FIG. 5

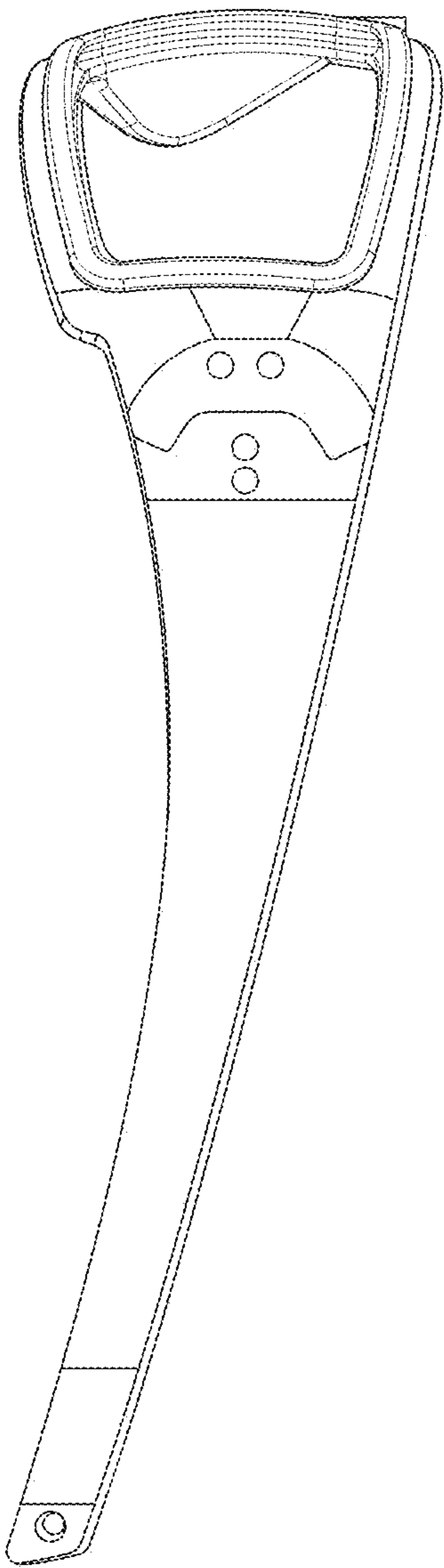


FIG. 6



FIG. 7

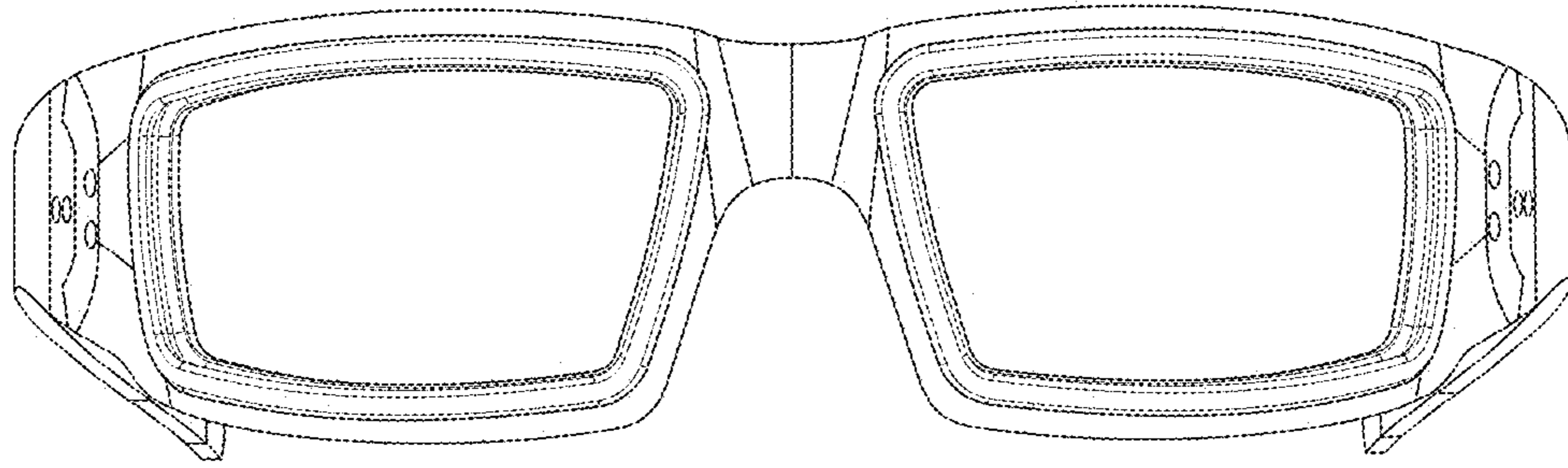


FIG. 8

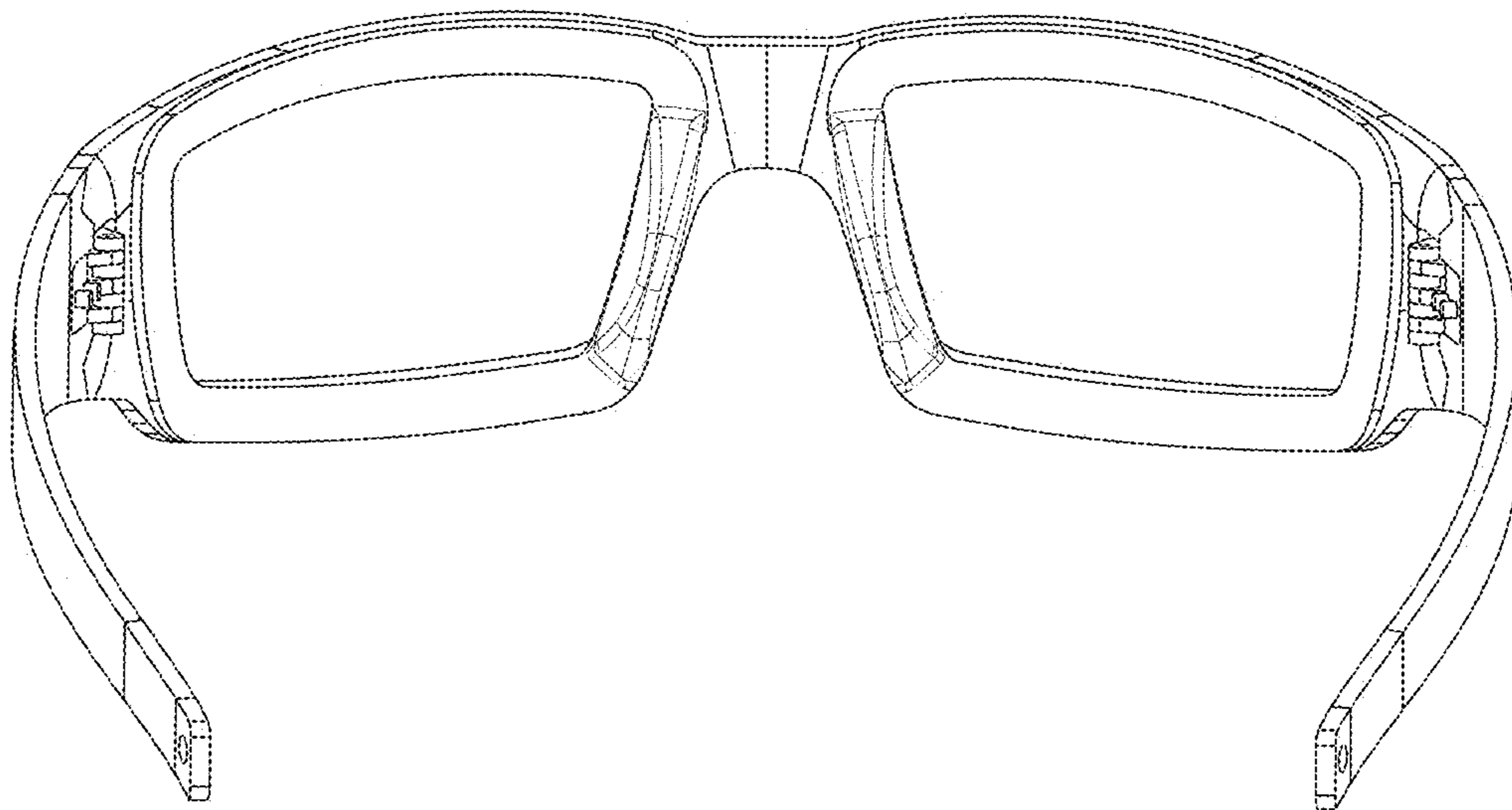


FIG. 9

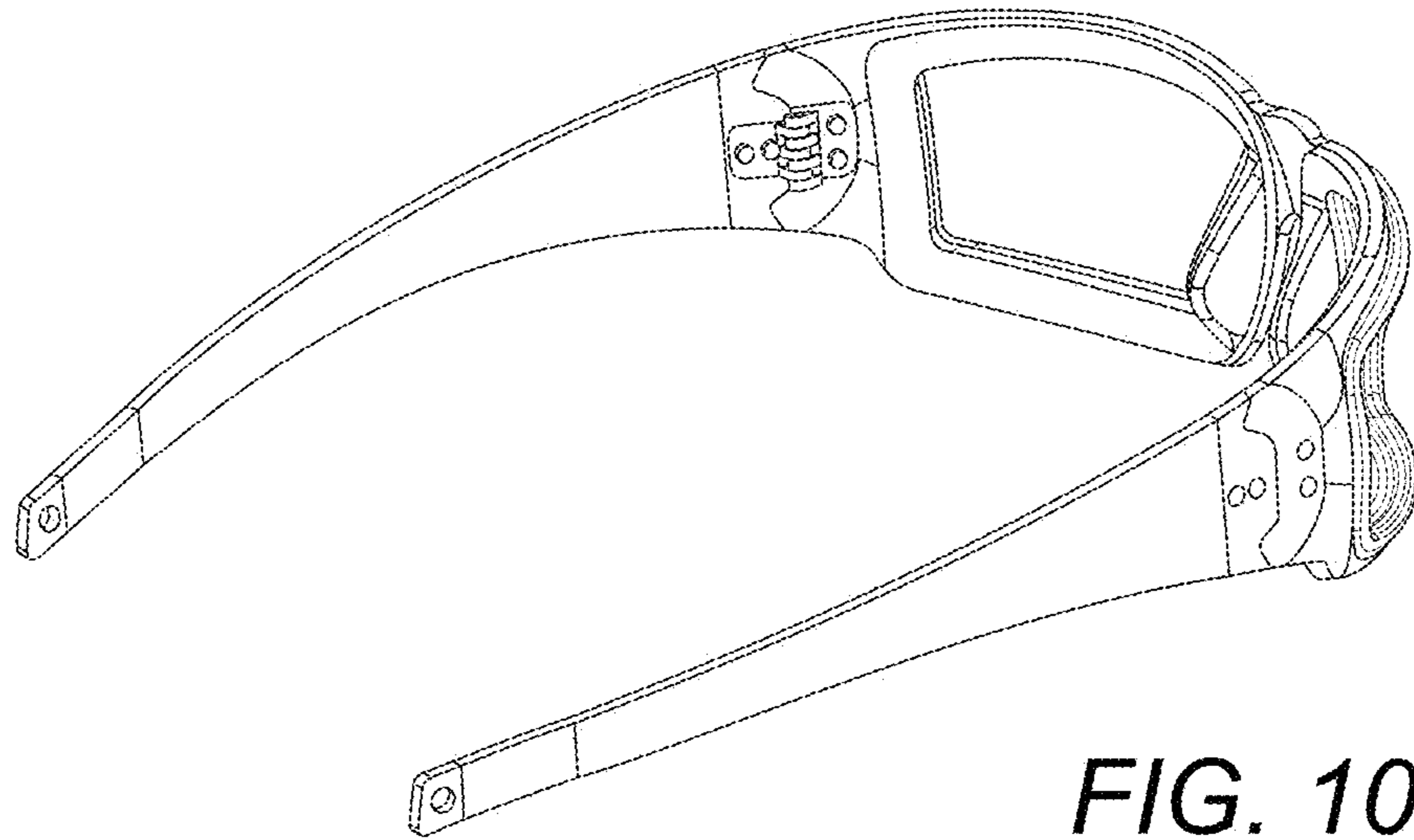


FIG. 10

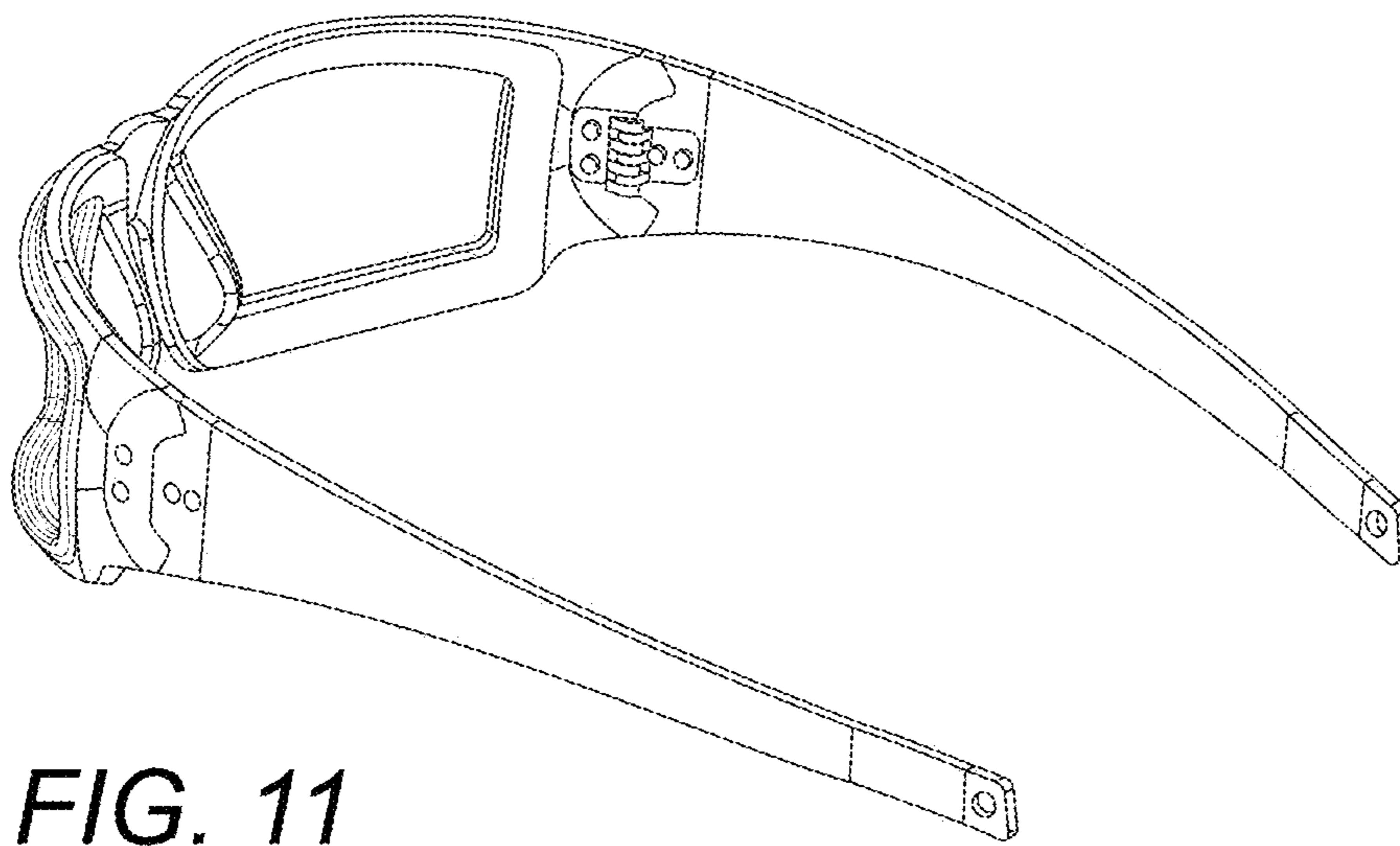


FIG. 11