



US00D916945S

(12) **United States Design Patent**
Kashiwagi

(10) **Patent No.:** **US D916,945 S**

(45) **Date of Patent:** **** Apr. 20, 2021**

(54) **TRIPOD MOUNT FOR CAMERA LENSES**

(56) **References Cited**

(71) Applicant: **CANON KABUSHIKI KAISHA,**
Tokyo (JP)

U.S. PATENT DOCUMENTS

(72) Inventor: **Yoshiyuki Kashiwagi,** Tokyo (JP)

D719,605 S *	12/2014	Dordick	D16/245
D764,567 S *	8/2016	Bennett	D16/242
D772,970 S *	11/2016	Balmer	D16/242
D798,938 S *	10/2017	Zheng	D16/237
D869,545 S *	12/2019	Lee	D16/242
10,876,681 B2 *	12/2020	Jacob	F16M 11/242

(**) Term: **15 Years**

* cited by examiner

(21) Appl. No.: **35/508,406**

(22) Filed: **Jul. 29, 2019**

Primary Examiner — Holly E Thurman

(80) **Hague Agreement Data**

(57) **CLAIM**

Int. Filing Date: **Jul. 29, 2019**

The ornamental design for a tripod mount for camera lenses, as shown and described.

Int. Reg. No.: **DM/204000**

Int. Reg. Date: **Jul. 29, 2019**

Int. Reg. Pub. Date: **Jan. 31, 2020**

DESCRIPTION

(30) **Foreign Application Priority Data**

Jan. 29, 2019 (JP) 2019-001596

(51) **LOC (13) Cl.** **16-05**

(52) **U.S. Cl.**
USPC **D16/237**

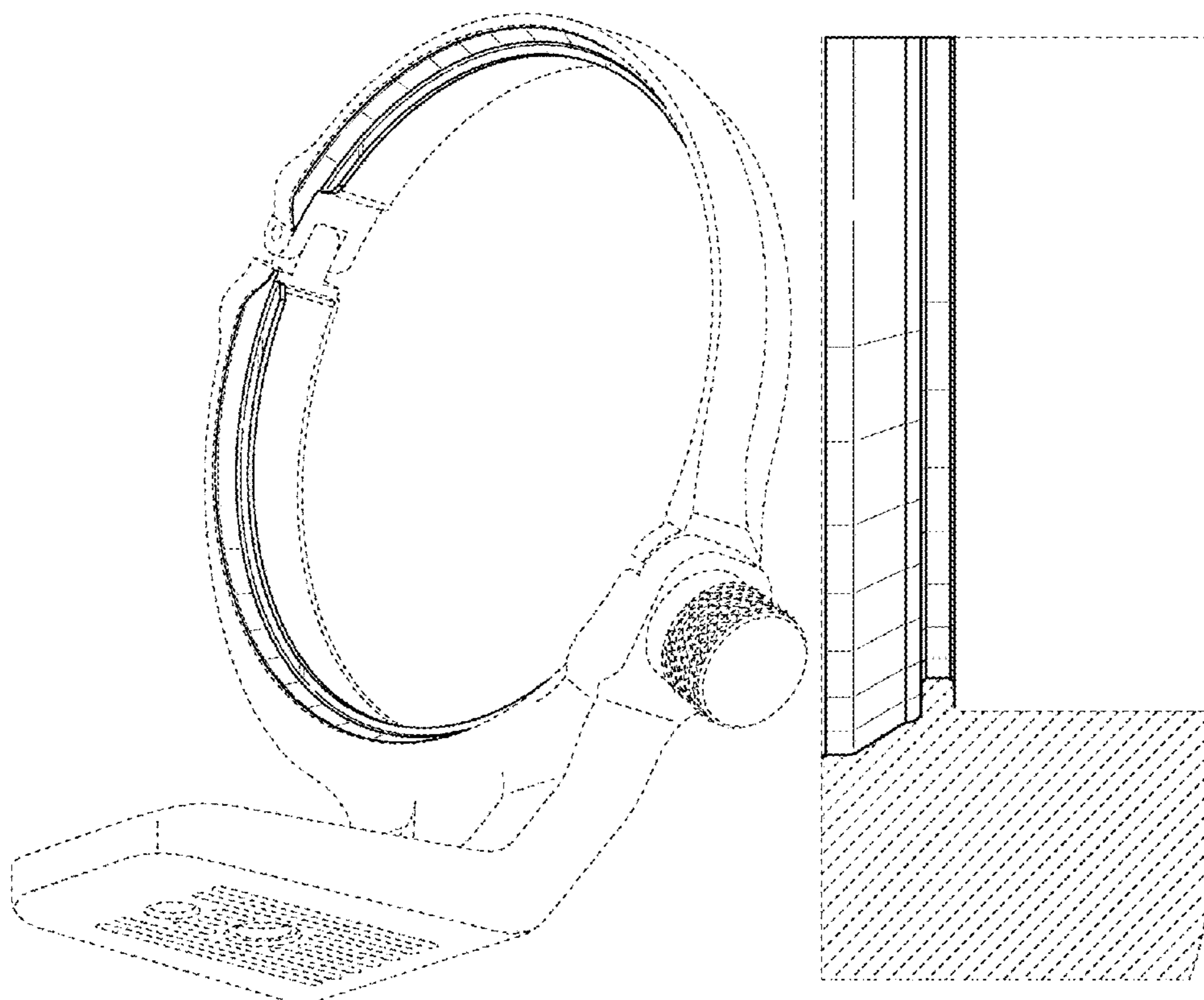
(58) **Field of Classification Search**
USPC D16/136, 208, 214, 219, 229, 235,
D16/237-245, 250
CPC H04N 7/185-188

- 1. Tripod mount for camera lenses
- 1.1 : Front
- 1.2 : Back
- 1.3 : Top
- 1.4 : Left, the right side being a mirror image thereof
- 1.5 : Perspective
- 1.6 : Perspective
- 1.7 : Enlarged Cross-sectional view of the portion defined by line B-B, cut along line A-A in FIG. 1.8
- 1.8 : Bottom

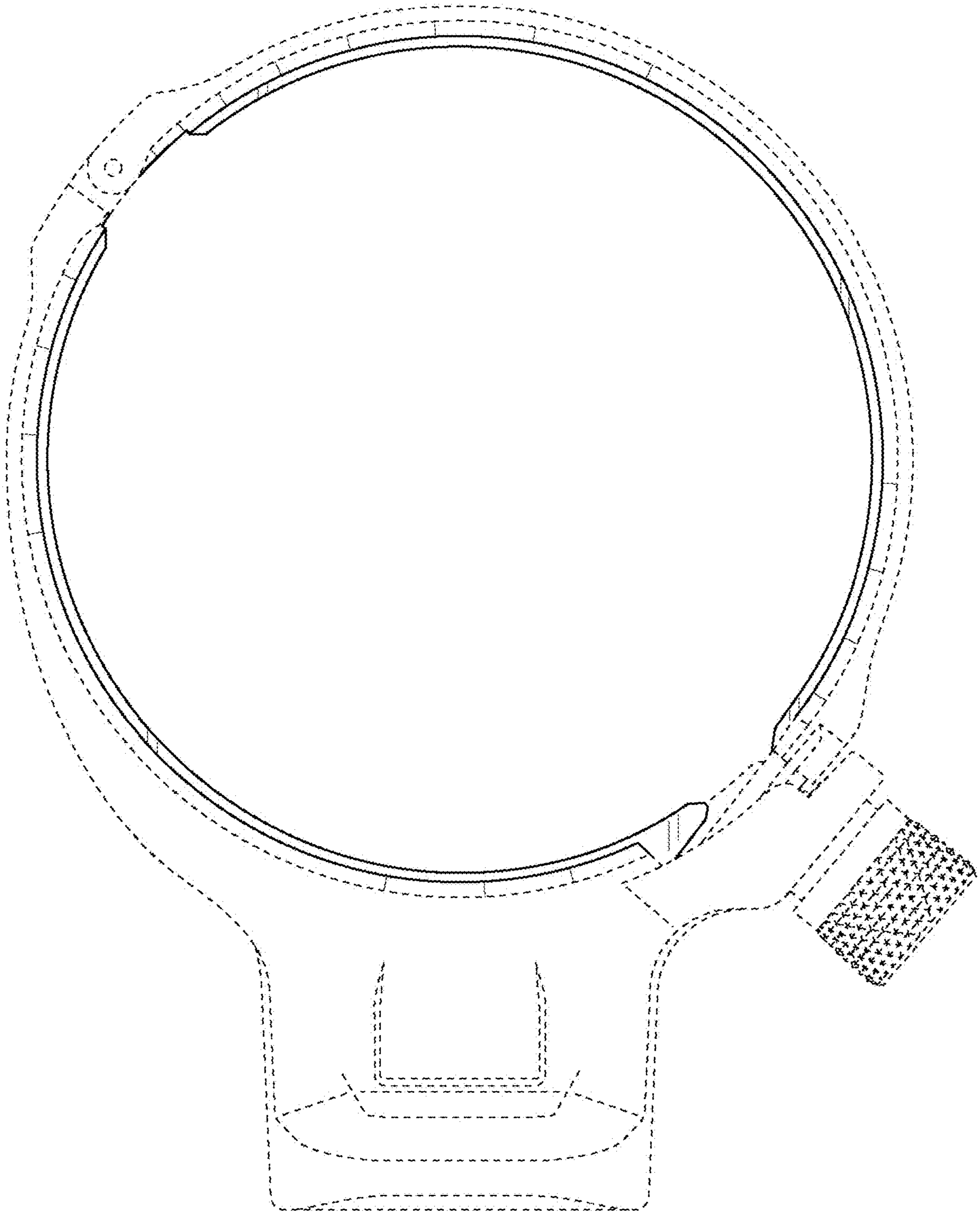
The broken lines in the drawings depict portions of the tripod mount for camera lenses that form no part of the claimed design.

See application file for complete search history.

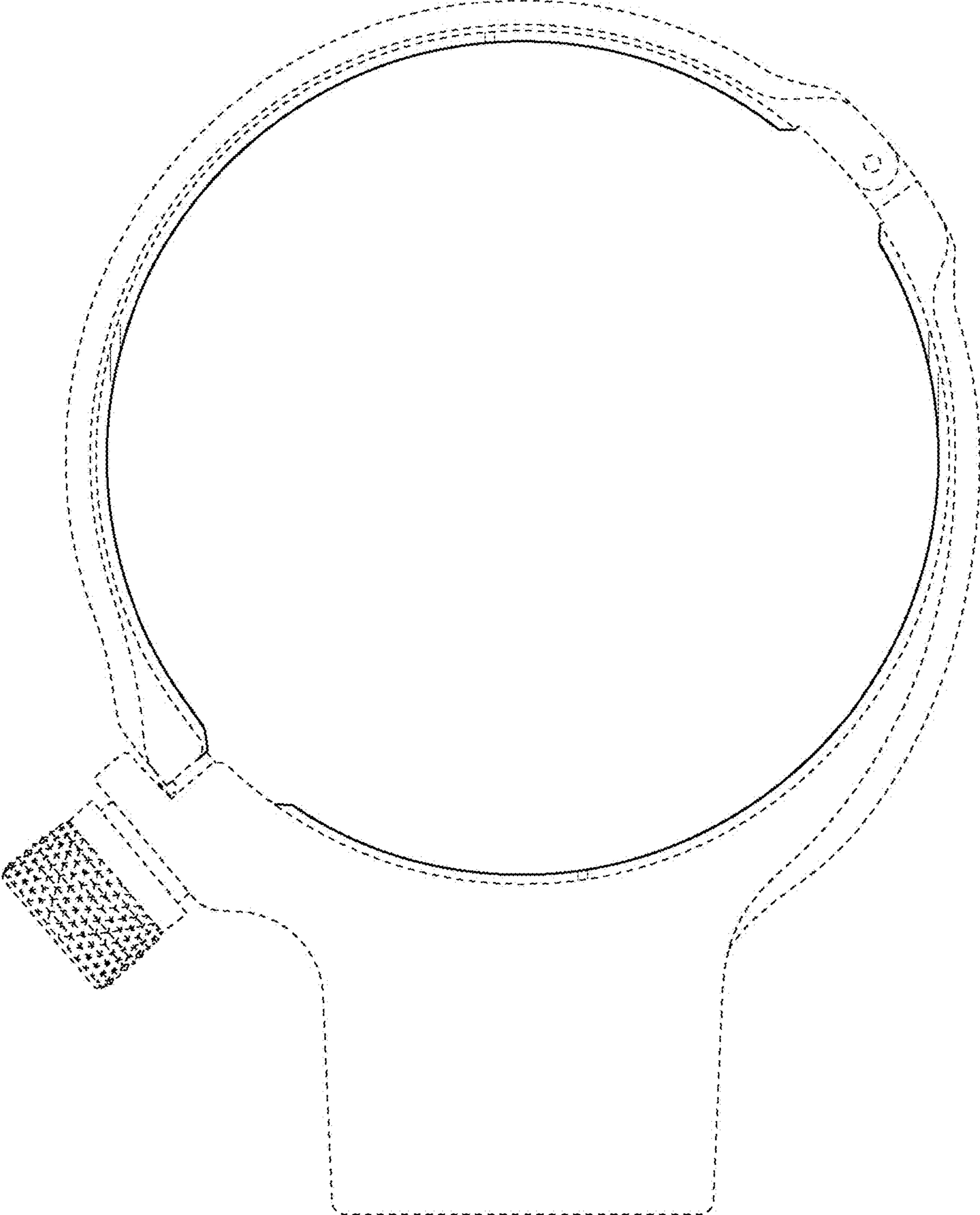
1 Claim, 8 Drawing Sheets



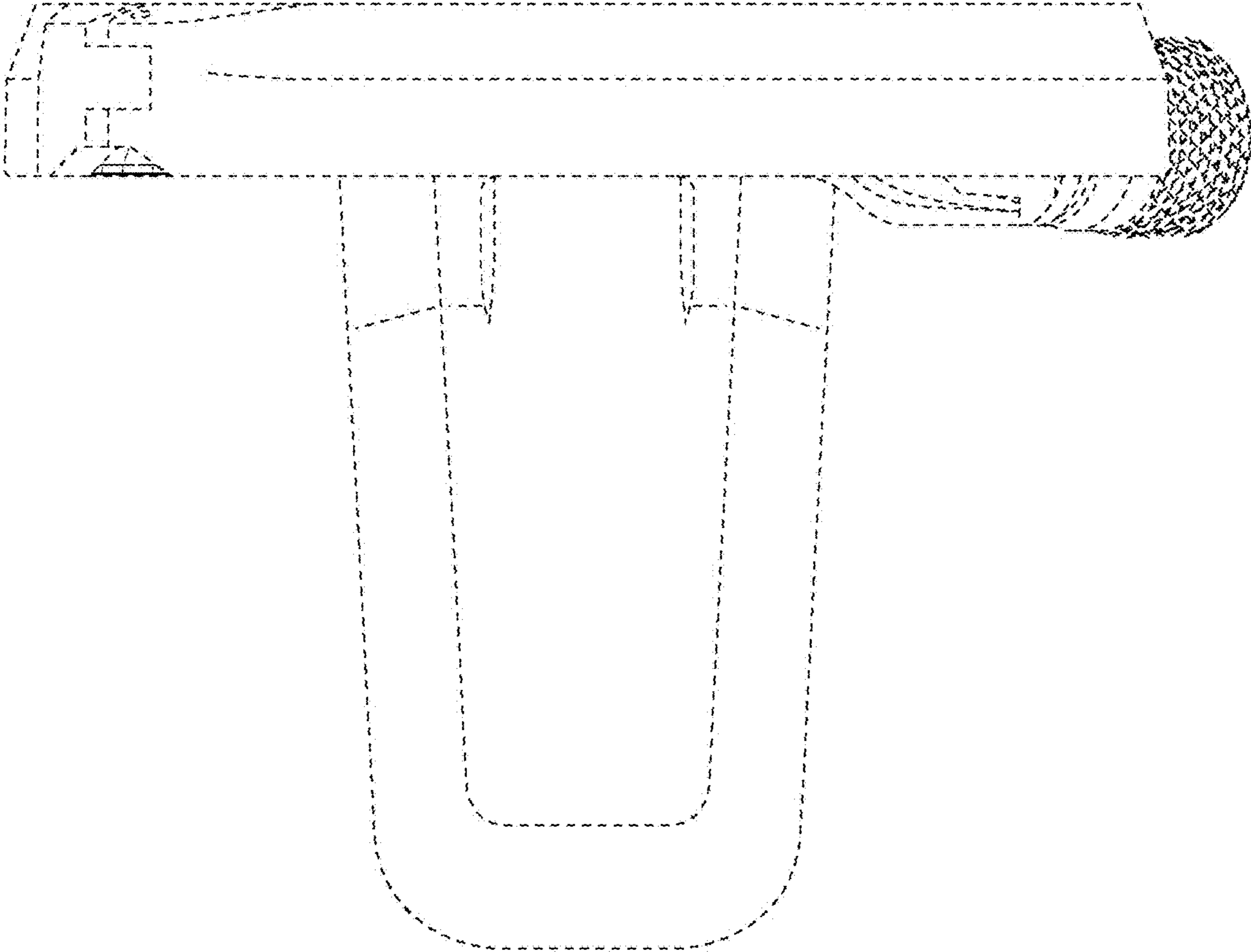
1.1



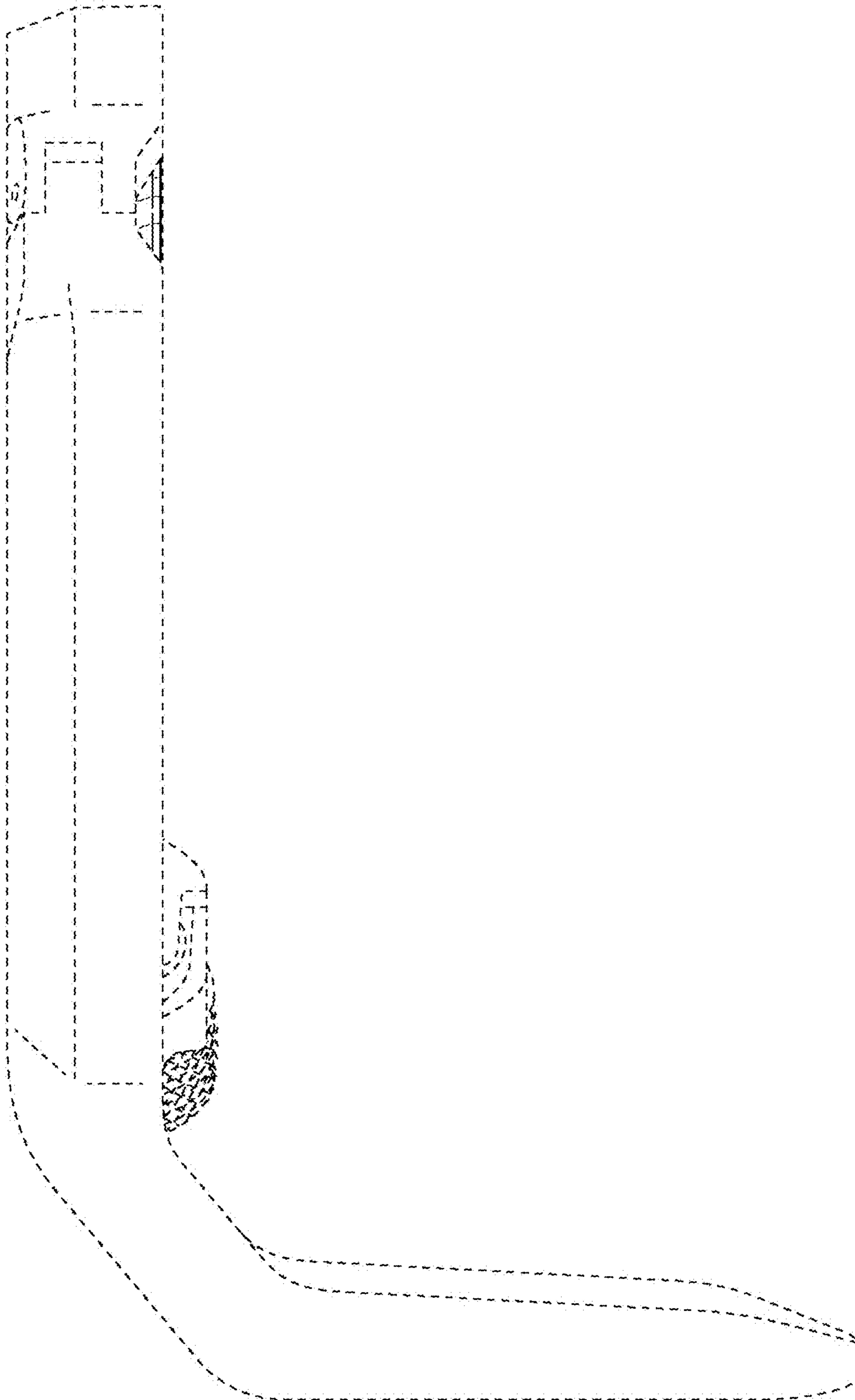
1.2



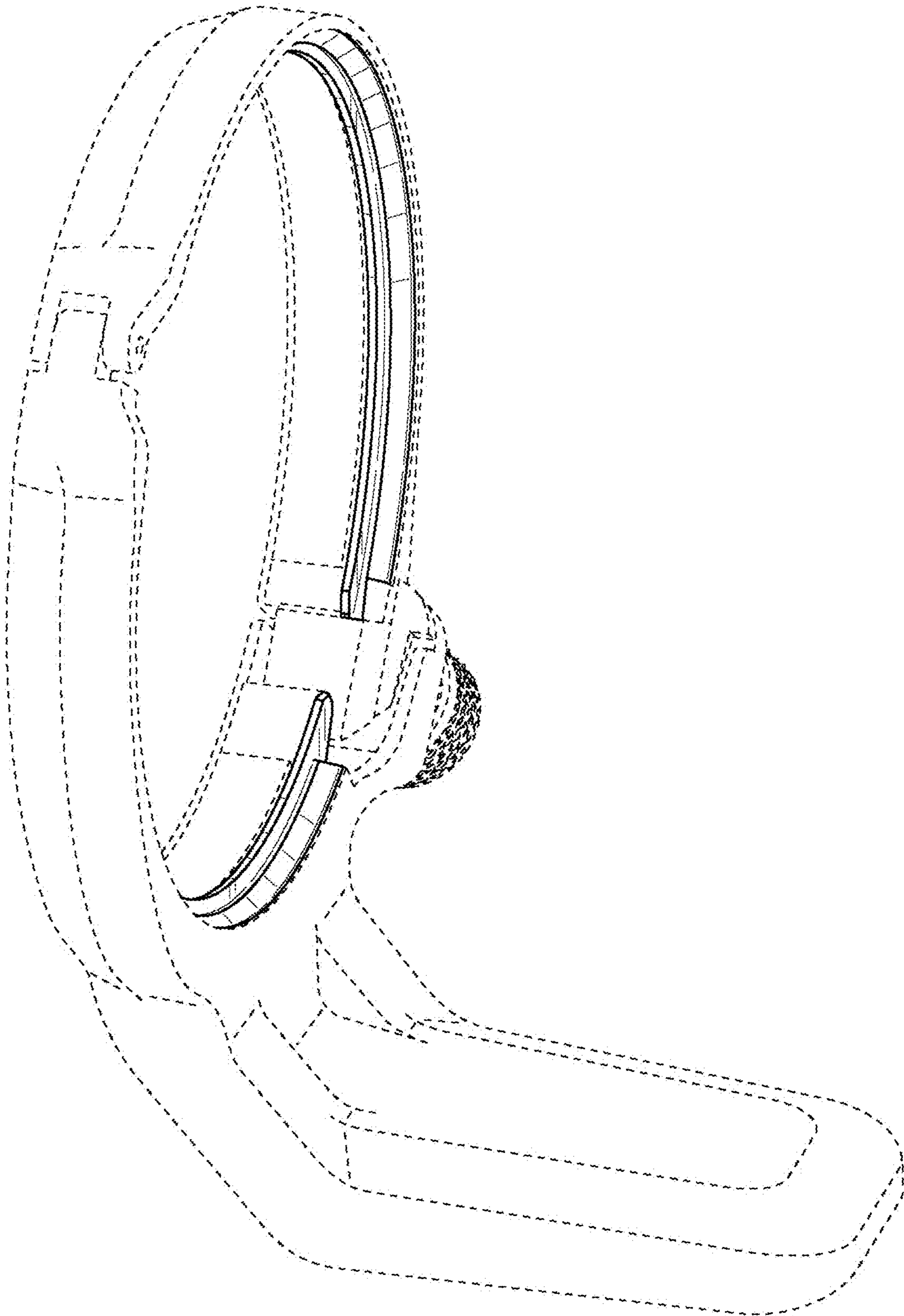
1.3



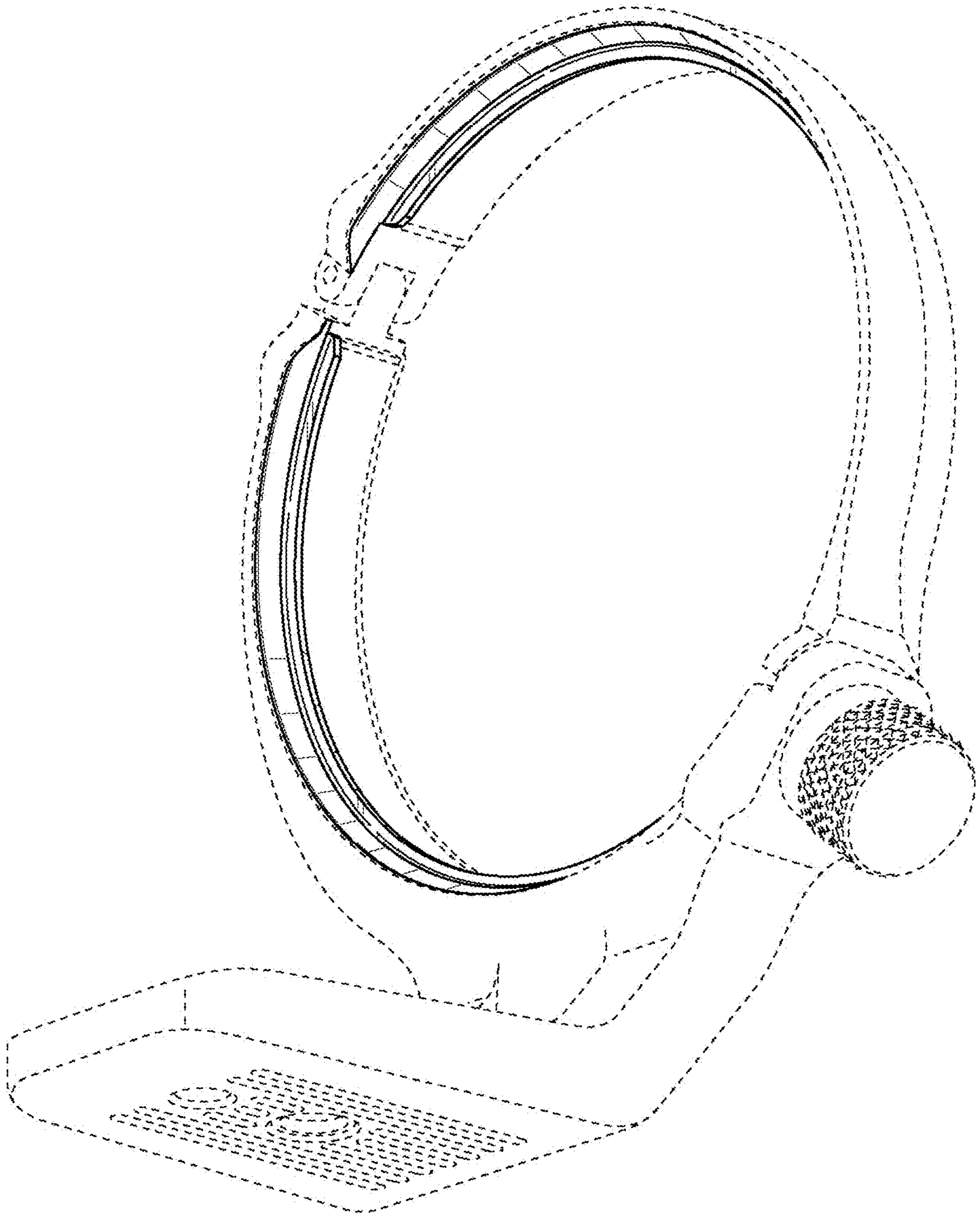
1.4



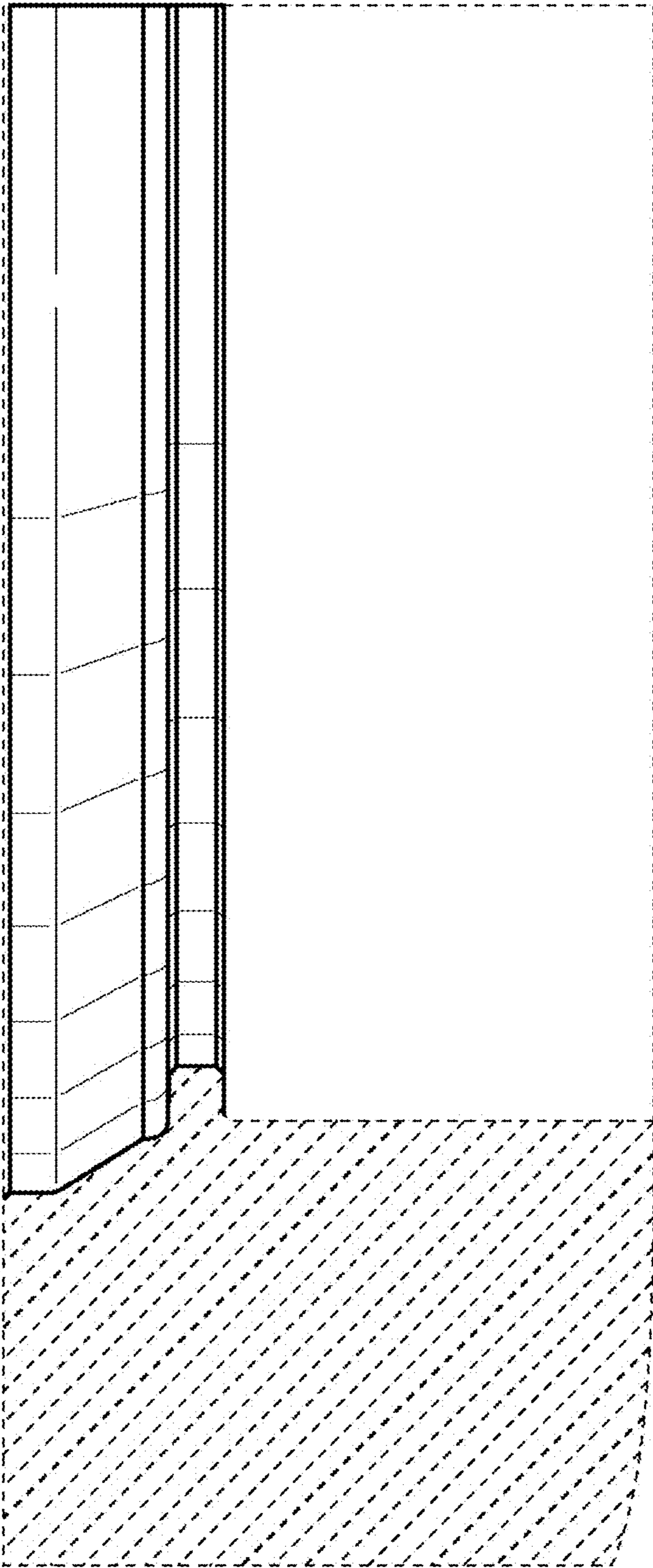
1.5



1.6



1.7



1.8

