



US00D916944S

(12) **United States Design Patent** (10) **Patent No.:** **US D916,944 S**
Brewer et al. (45) **Date of Patent:** **** Apr. 20, 2021**

- (54) **SMART DEVICE HOLDER**
- (71) Applicant: **ATA Industries, Inc.**, Pomona, CA (US)
- (72) Inventors: **Danny Brewer**, Chelsea, AL (US);
David Padilla, Fontana, CA (US);
Marlon Andres, Chino, CA (US)
- (73) Assignee: **ATA Industries, Inc.**, Pomona, CA (US)
- (**) Term: **15 Years**
- (21) Appl. No.: **29/646,453**
- (22) Filed: **May 4, 2018**
- (51) **LOC (13) Cl.** **16-05**
- (52) **U.S. Cl.**
USPC **D16/219**
- (58) **Field of Classification Search**
USPC D16/202, 203, 214, 215, 219, 237, 242,
D16/243, 244; D14/443, 434, 447, 204,
D14/221
CPC G03B 17/53; G03B 17/561; G03B 17/566;
G06F 3/0488; F16M 11/42; F16M
11/126; H04N 5/2253
See application file for complete search history.

- (56) **References Cited**
U.S. PATENT DOCUMENTS
- | | | | | | |
|------------|---|---------|---------|-------|---------|
| D552,658 S | * | 10/2007 | Moore | | D16/242 |
| D582,486 S | * | 12/2008 | Ashida | | D14/434 |
| D664,178 S | * | 7/2012 | Hinkel | | D16/203 |
| D690,306 S | * | 9/2013 | Malisse | | D14/447 |
| D719,961 S | * | 12/2014 | Xiang | | D14/447 |
| D721,377 S | * | 1/2015 | Pelster | | D14/447 |
| D729,296 S | * | 5/2015 | Shelton | | D16/202 |
| D733,156 S | * | 6/2015 | Choi | | D14/447 |
| D735,210 S | * | 7/2015 | Kim | | D14/447 |
| D744,321 S | * | 12/2015 | Boynton | | D8/363 |

- D748,639 S * 2/2016 Khodapanah D14/447
- D749,596 S * 2/2016 Khodapanah D14/447
- D758,470 S * 6/2016 Kircher D16/219
- D825,643 S * 8/2018 Wengreen D16/242
- D827,009 S * 8/2018 Mauldin D16/201
- D828,428 S * 9/2018 Lee D16/203
- 10,178,209 B1 * 1/2019 Hesse H04M 1/04
- D849,104 S * 5/2019 Wong D16/215
- D863,406 S * 10/2019 Laffon de Mazieres D16/219
- D867,435 S * 11/2019 Wengreen D16/242
- D871,490 S * 12/2019 Wengreen D16/242
- D873,897 S * 1/2020 Wengreen D16/242
- D892,909 S * 8/2020 McBride D16/242
- D895,712 S * 9/2020 van Schalkwyk D16/219
- D898,805 S * 10/2020 Lynch D16/219

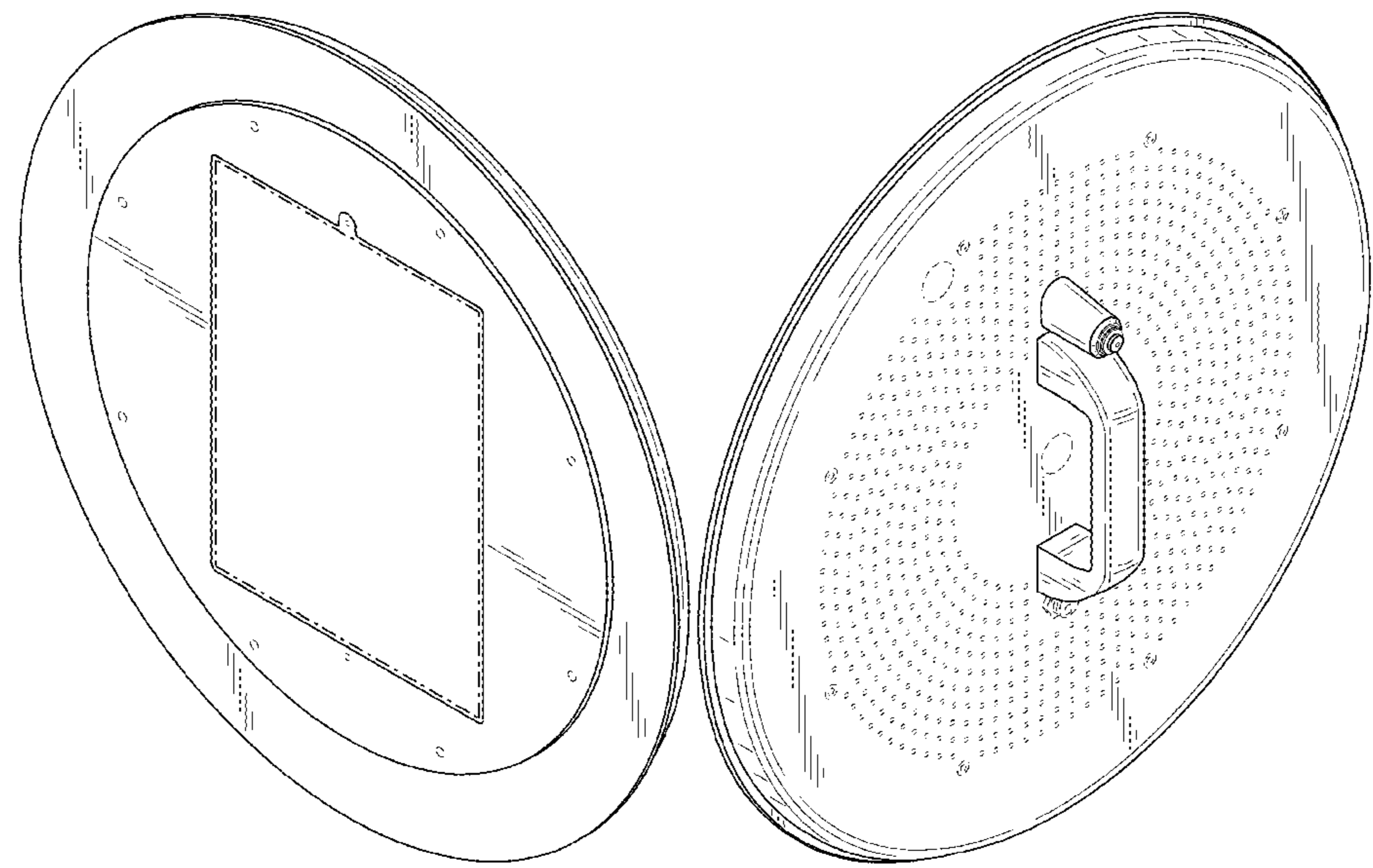
(Continued)

Primary Examiner — Sandra Snapp
Assistant Examiner — Ieisha N Price
(74) *Attorney, Agent, or Firm* — Bush Intellectual Property Law; Kenneth M. Bush

(57) **CLAIM**
We claim the ornamental design for a smart device holder, as shown and described.

DESCRIPTION
FIG. 1 is a top, front, right side perspective view of a smart device holder showing our new design; FIG. 2 is a top, rear, right side perspective view thereof; FIG. 3 is a front elevation view thereof; FIG. 4 is a rear elevation view thereof; FIG. 5 is a left side elevation view thereof; FIG. 6 is a right side elevation view thereof; FIG. 7 is a top plan view thereof; and, FIG. 8 is a bottom plan view thereof. The broken lines shown in the Figures represent portions of the smart device holder that form no part of the claimed design. The short dash-long dash broken lines shown in FIGS. 1 and 3 define the bounds of the claimed design and form no part thereof.

1 Claim, 6 Drawing Sheets



(56)

References Cited

U.S. PATENT DOCUMENTS

D899,225 S * 10/2020 Zhang D8/354
2008/0107412 A1* 5/2008 Moore G03B 17/561
396/427
2008/0107413 A1* 5/2008 Moore G03B 17/561
396/428
2018/0335684 A1* 11/2018 Strauser G08C 17/02
2019/0154192 A1* 5/2019 Yeh F16M 11/08
2019/0384143 A1* 12/2019 Lynch F16M 11/06

* cited by examiner

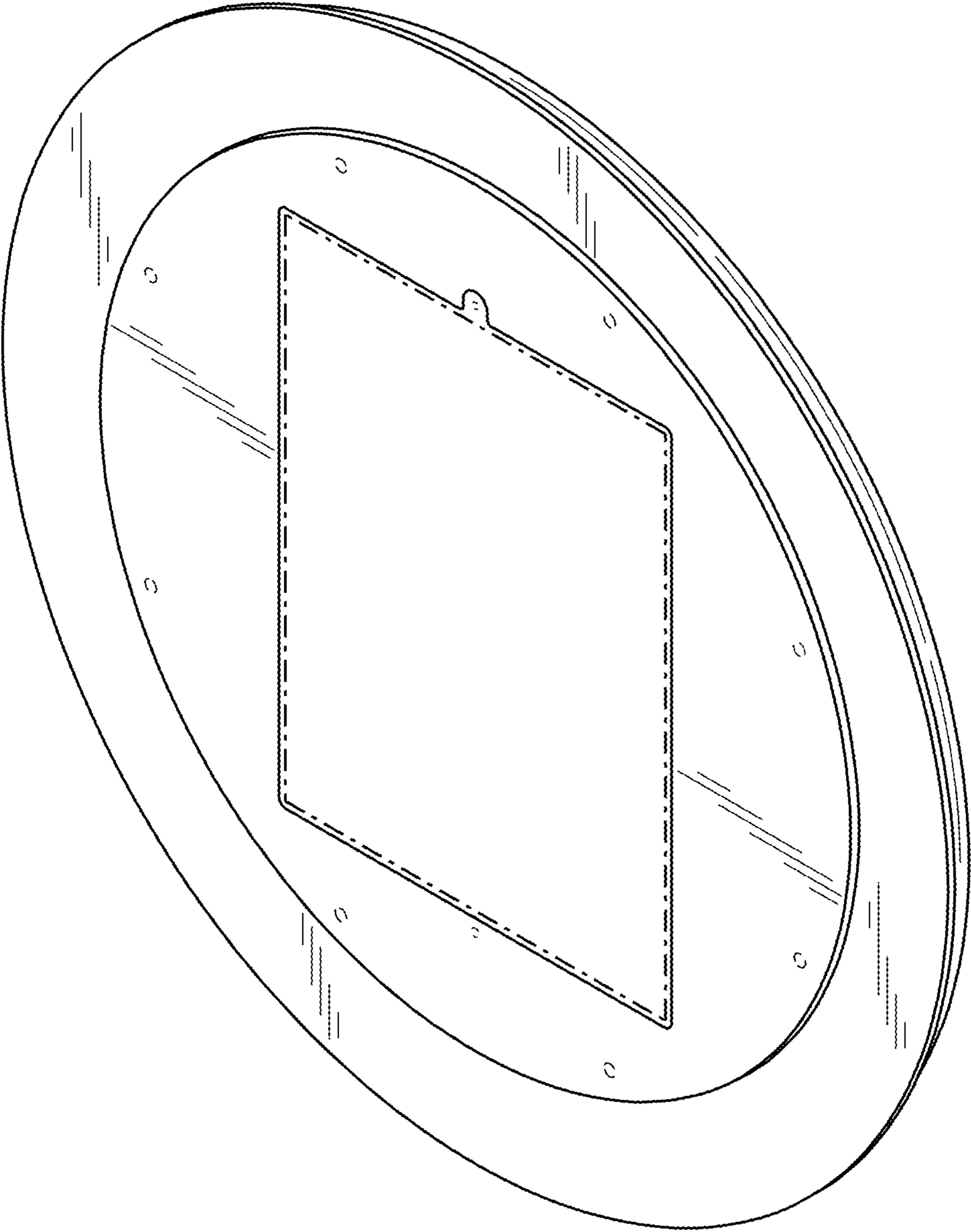


FIG. 1

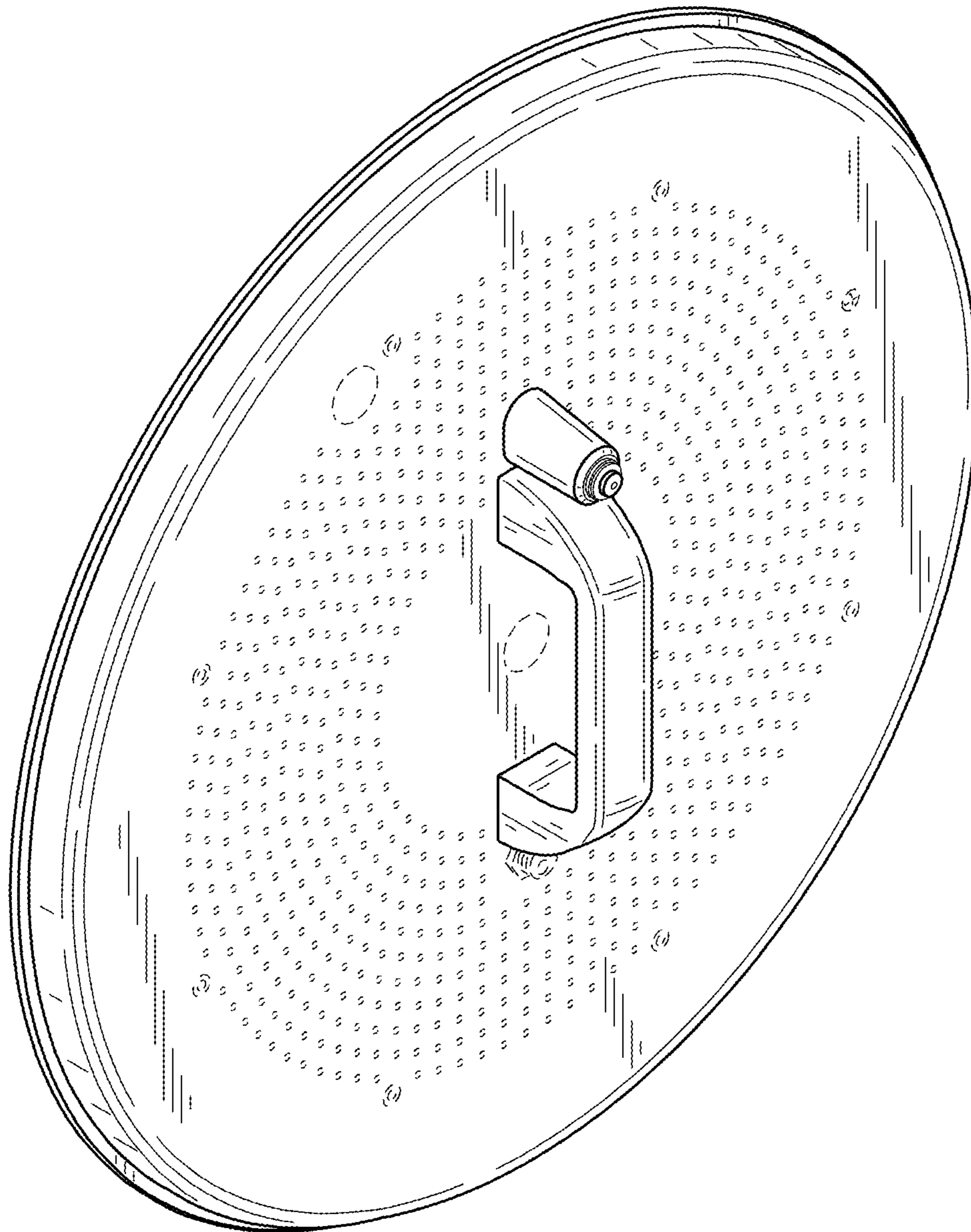


FIG. 2

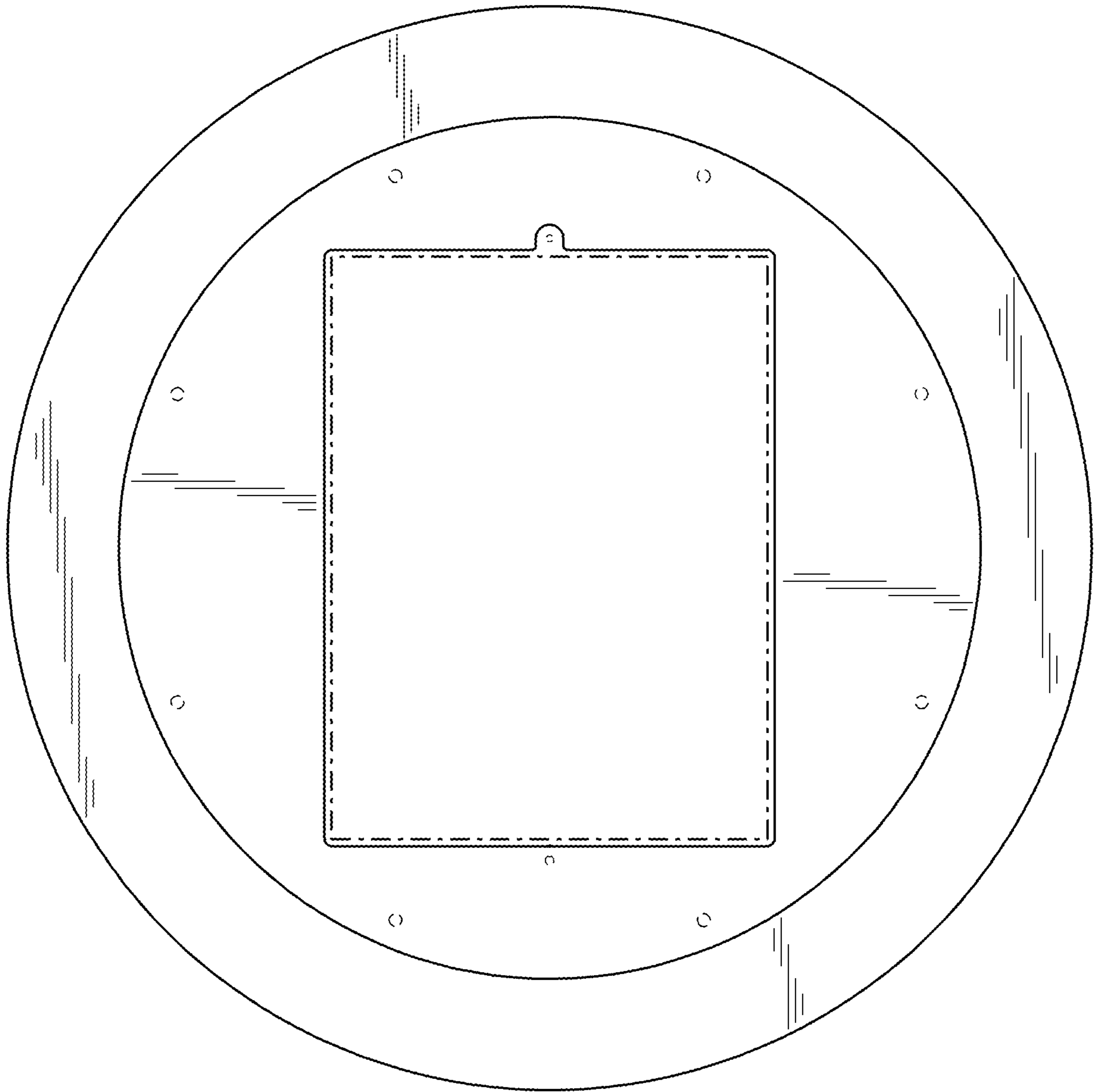


FIG. 3

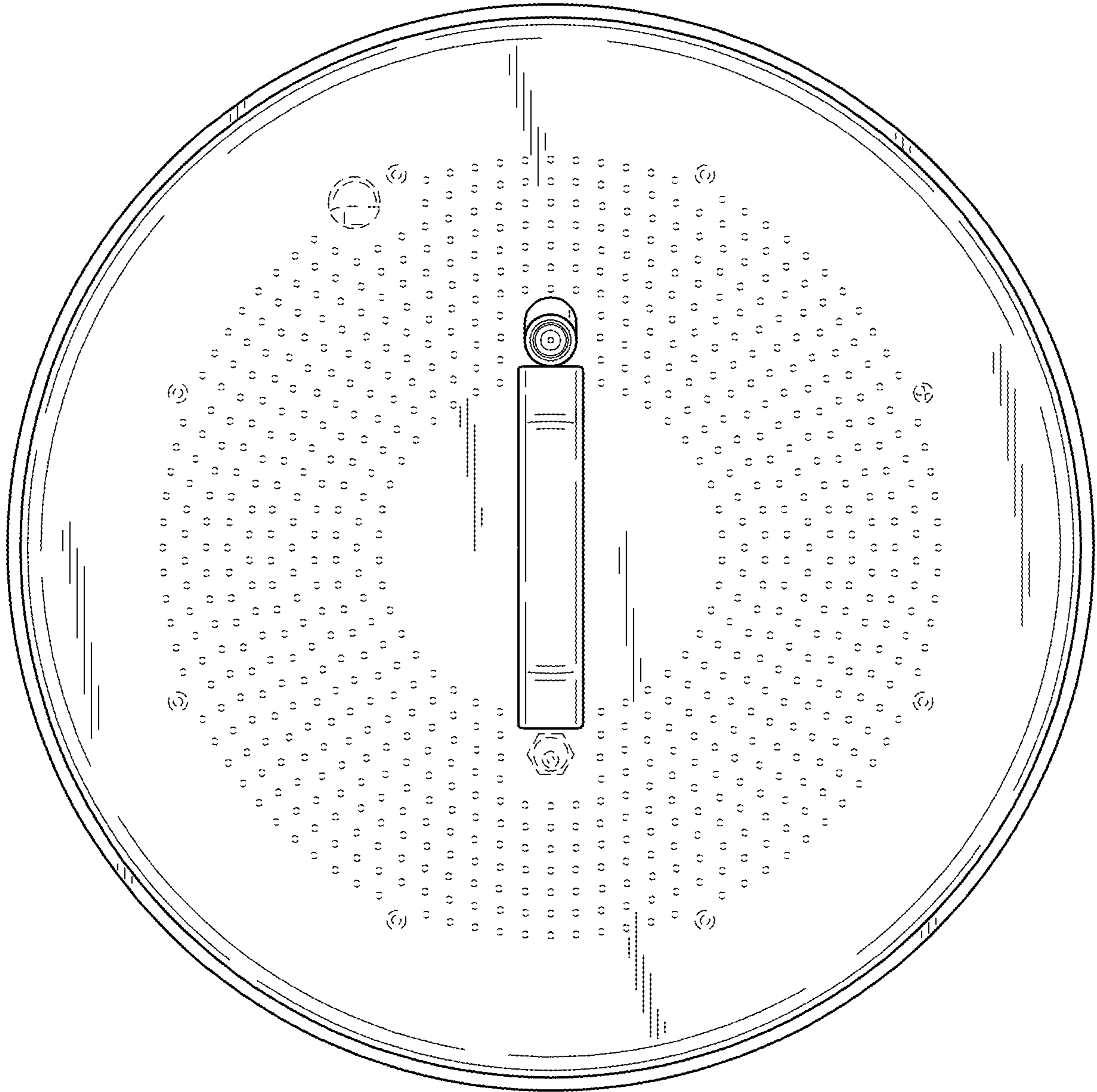


FIG. 4

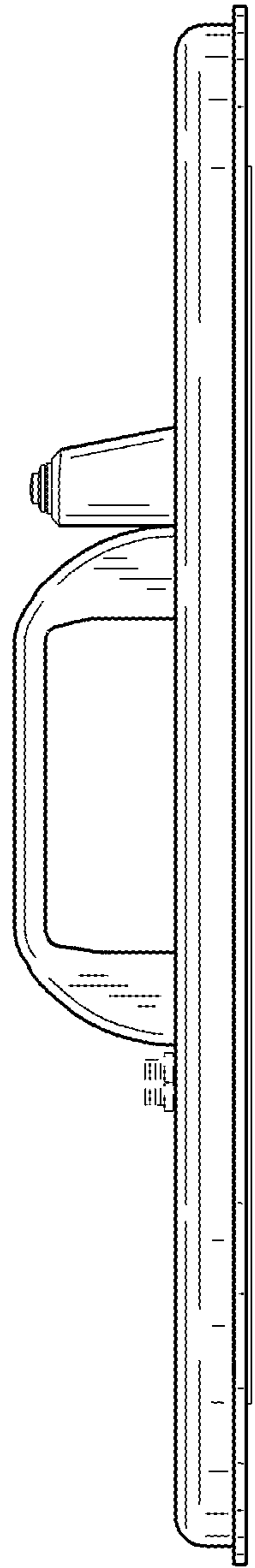


FIG. 5

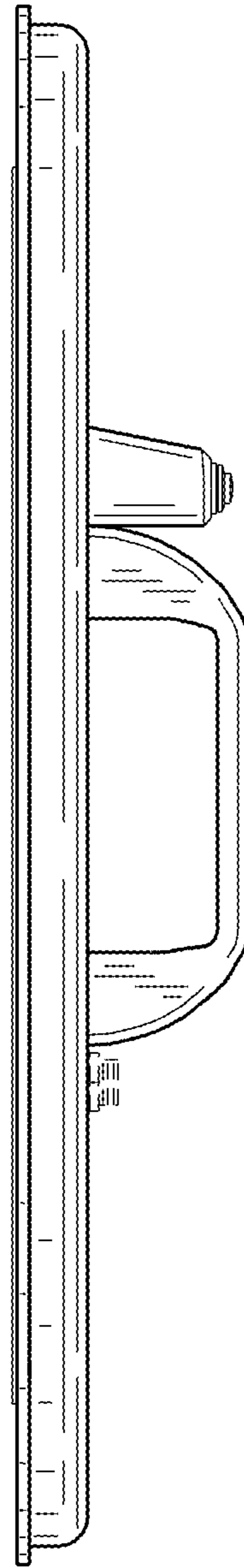


FIG. 6

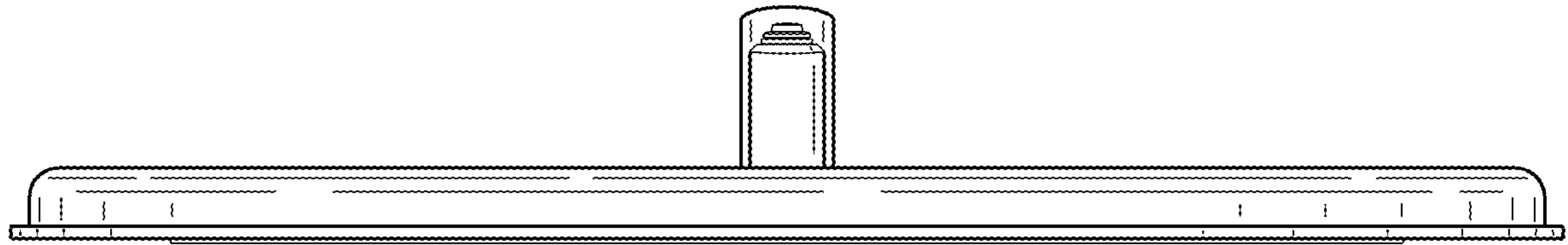


FIG. 7

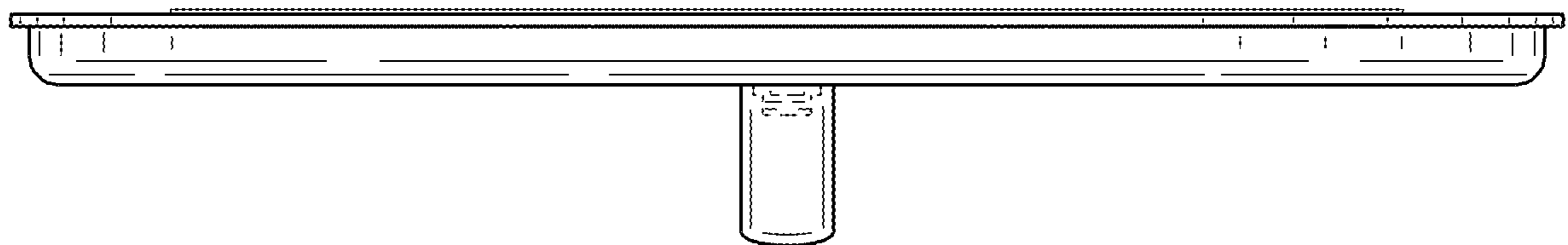


FIG. 8