



US00D916943S

(12) **United States Design Patent**  
**Grant et al.**

(10) **Patent No.:** **US D916,943 S**

(45) **Date of Patent:** **\*\* \*Apr. 20, 2021**

(54) **CAMERA**

(71) Applicant: **Portable Multimedia Ltd**, West End  
(GB)

(72) Inventors: **Robert Grant**, West End (GB);  
**Graham Lambert**, West End (GB);  
**Ceri Hill**, West End (GB)

(73) Assignee: **Portable Multimedia Ltd**

(\*) Notice: This patent is subject to a terminal disclaimer.

(\*\*) Term: **15 Years**

(21) Appl. No.: **29/694,128**

(22) Filed: **Jun. 7, 2019**

(30) **Foreign Application Priority Data**

Dec. 7, 2018 (GB) ..... 6049647

(51) **LOC (13) Cl.** ..... **16-01**

(52) **U.S. Cl.**  
USPC ..... **D16/218**; D16/208

(58) **Field of Classification Search**  
USPC ..... D16/200, 212, 218, 219; 348/373-376;  
396/448, 535, 539-541  
CPC ..... G03B 15/03; G03B 17/02; G03B 17/04;  
G03B 17/56; G03B 19/04; H04N 5/2251;  
H04N 5/2252; H04N 5/2253; H04N  
5/2254; H04N 2101/00  
See application file for complete search history.

(56) **References Cited**

**U.S. PATENT DOCUMENTS**

D747,386 S \* 1/2016 Li ..... D16/208  
D772,966 S \* 11/2016 Song ..... D16/200

D848,508 S \* 5/2019 Hsu ..... D16/218  
D849,084 S \* 5/2019 Hu ..... D16/202  
D849,817 S \* 5/2019 Wang ..... D16/218  
D852,255 S \* 6/2019 Guo ..... D16/202  
D854,597 S \* 7/2019 Gao ..... D16/202  
D857,076 S \* 8/2019 Gan ..... D16/202  
D867,420 S \* 11/2019 Zhang ..... D16/202  
D868,725 S \* 12/2019 Zhou ..... D14/167  
D870,183 S \* 12/2019 Tsukamoto ..... D16/218  
D875,803 S \* 2/2020 Yuan ..... D16/202  
2013/0004152 A1 \* 1/2013 Imafuji ..... G03B 15/02  
396/155

\* cited by examiner

*Primary Examiner* — Ramzi S Almatrahi

(74) *Attorney, Agent, or Firm* — Belcher, Smolen & Van  
Loo LLP

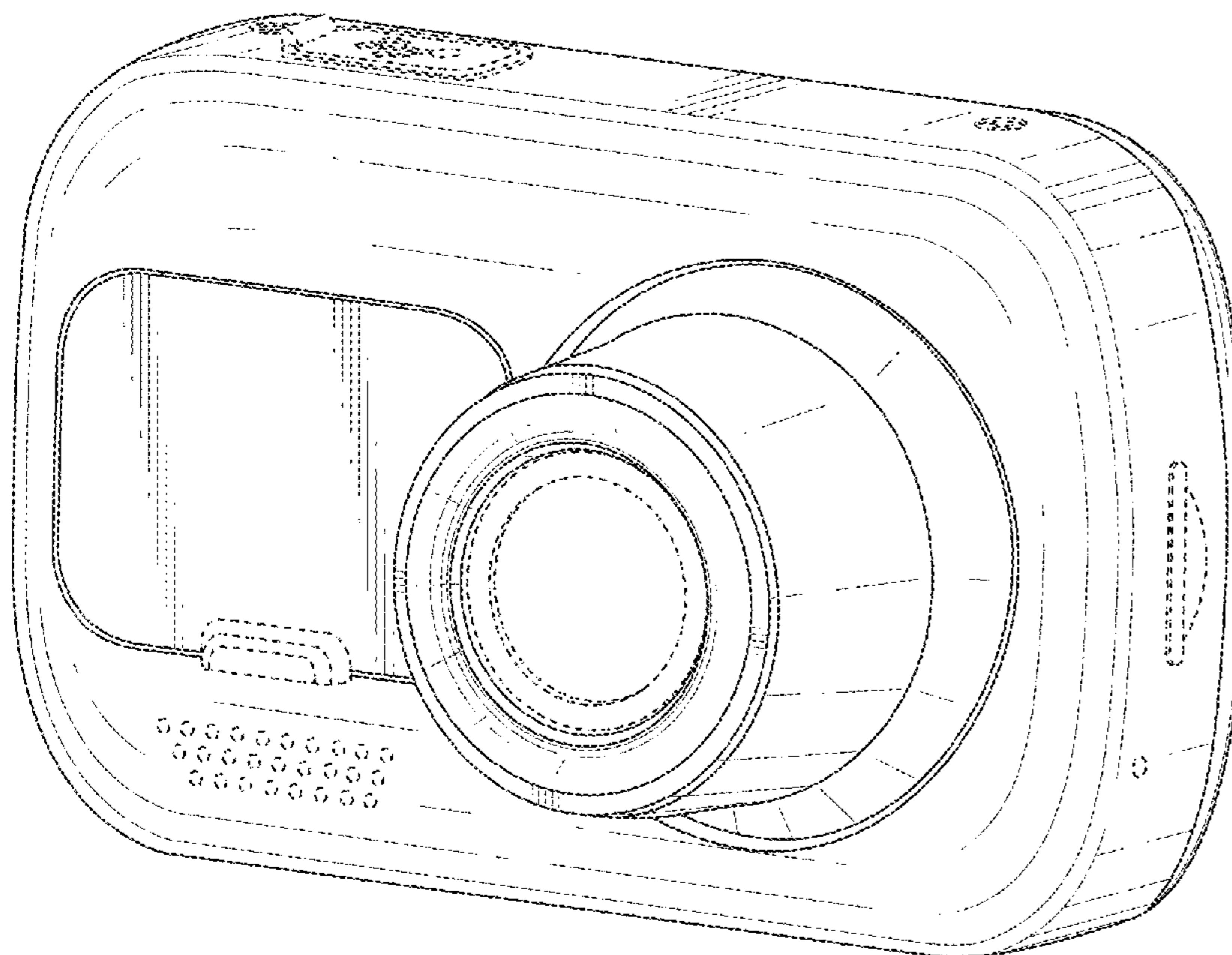
(57) **CLAIM**

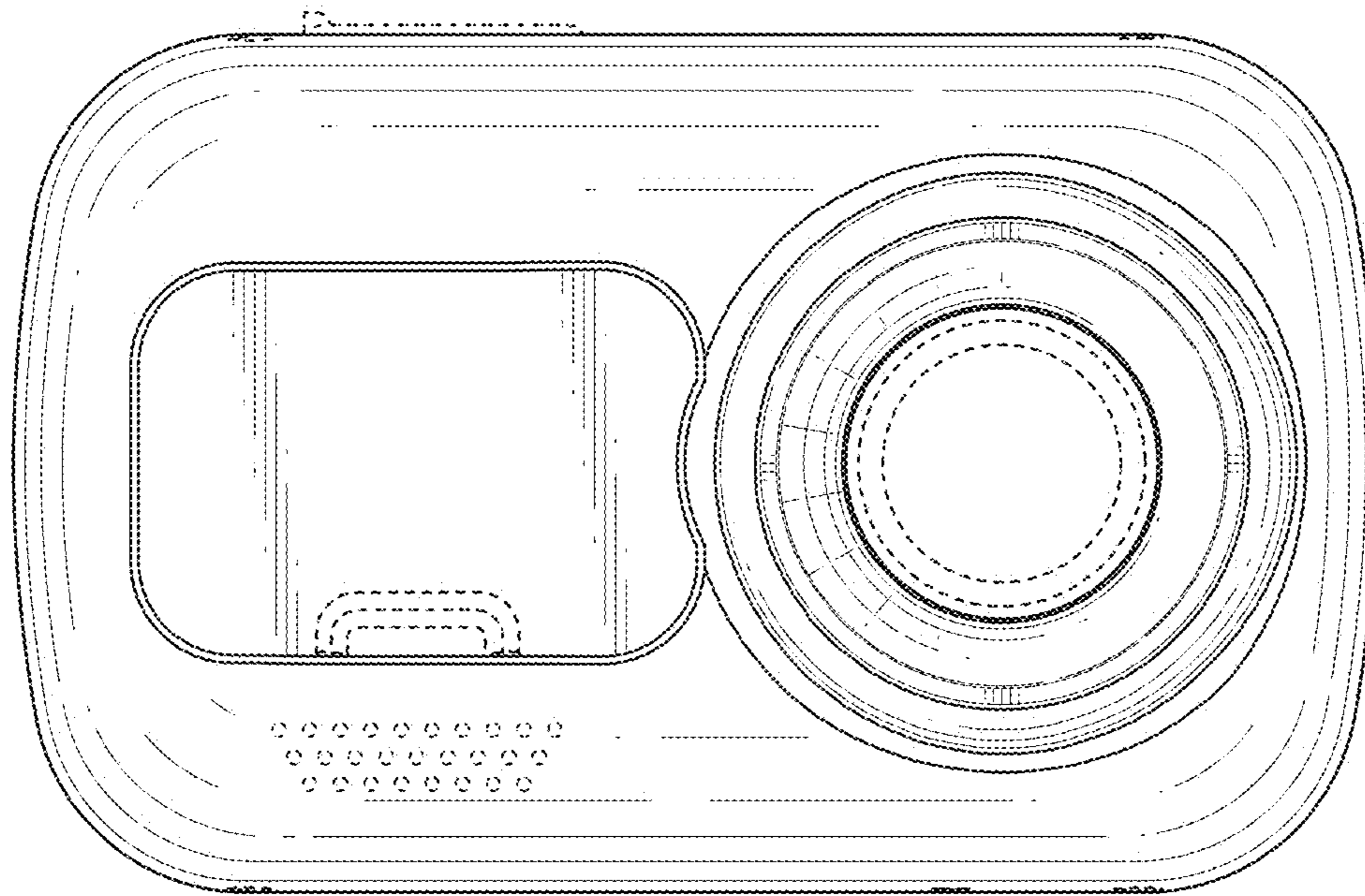
The ornamental design for a camera, as shown and described.

**DESCRIPTION**

FIG. 1 is a front elevation view of a camera showing our new design;  
FIG. 2 is a rear elevation view thereof;  
FIG. 3 is a right-side elevation view thereof;  
FIG. 4 is a left-side elevation view thereof;  
FIG. 5 is a bottom plan view thereof;  
FIG. 6 is a top plan view thereof; and,  
FIG. 7 is a front perspective view thereof.  
The broken lines depict portions of the camera in which the design is embodied that form no part of the claimed design.

**1 Claim, 7 Drawing Sheets**





*FIG. 1*

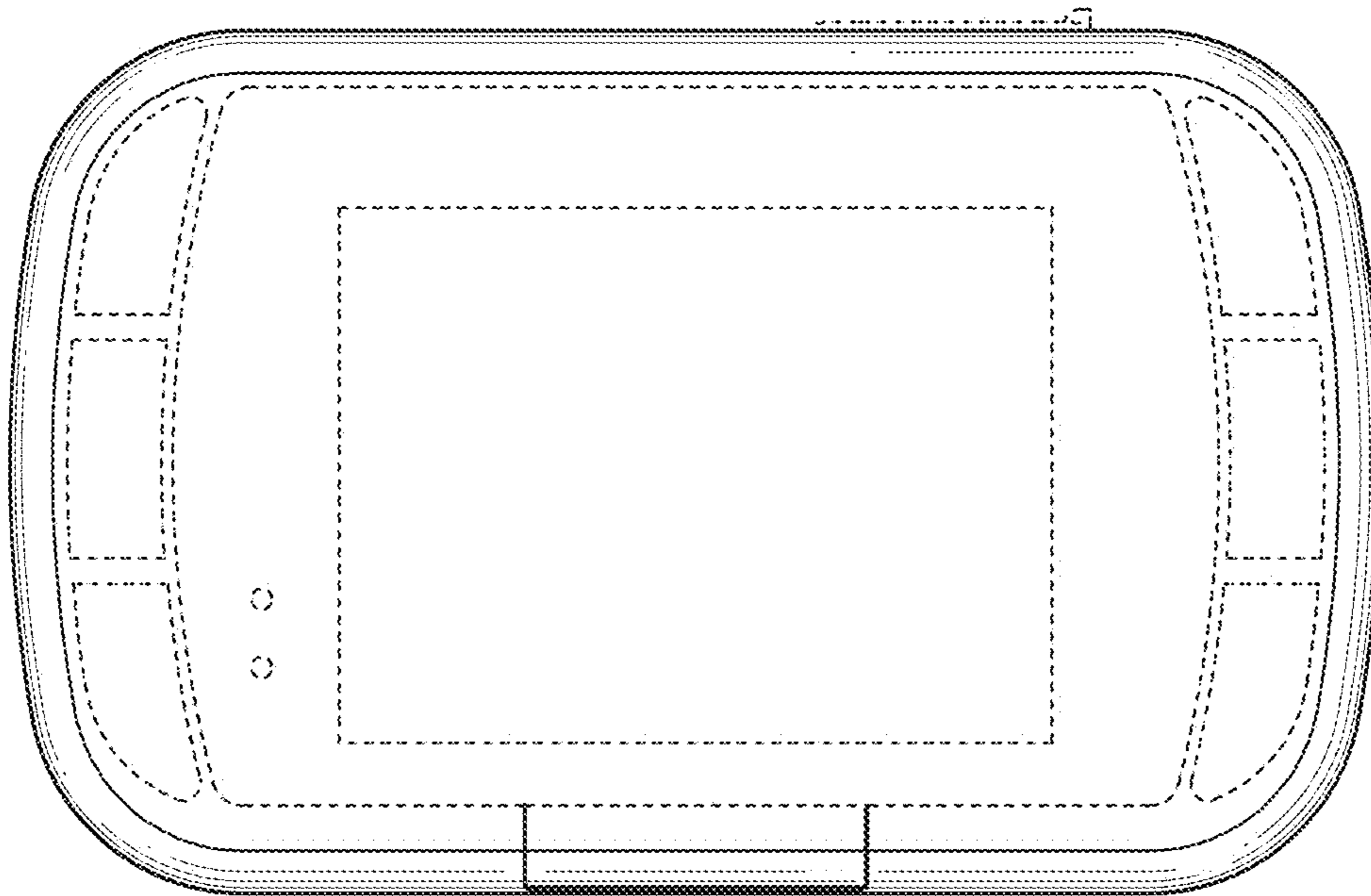
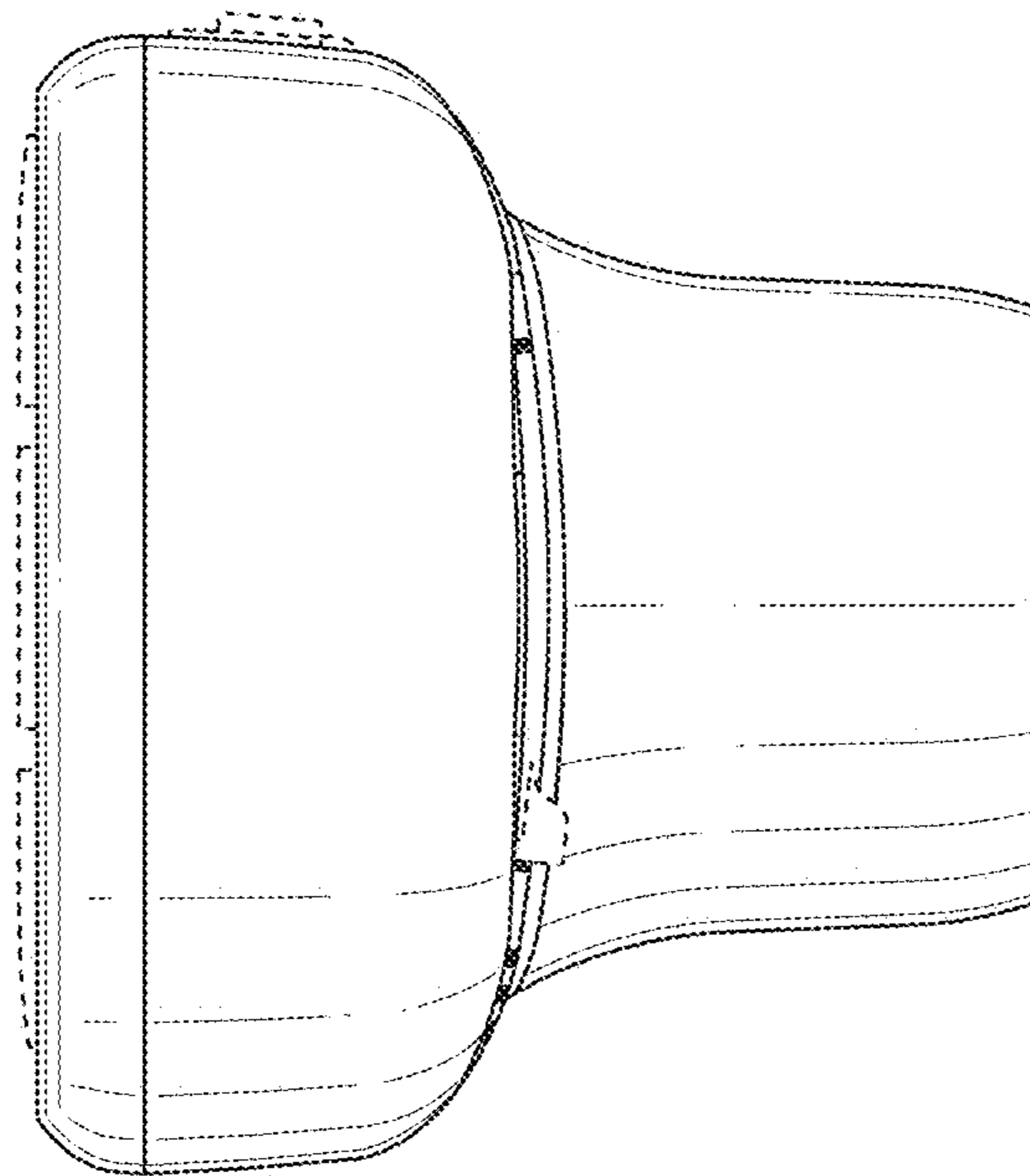
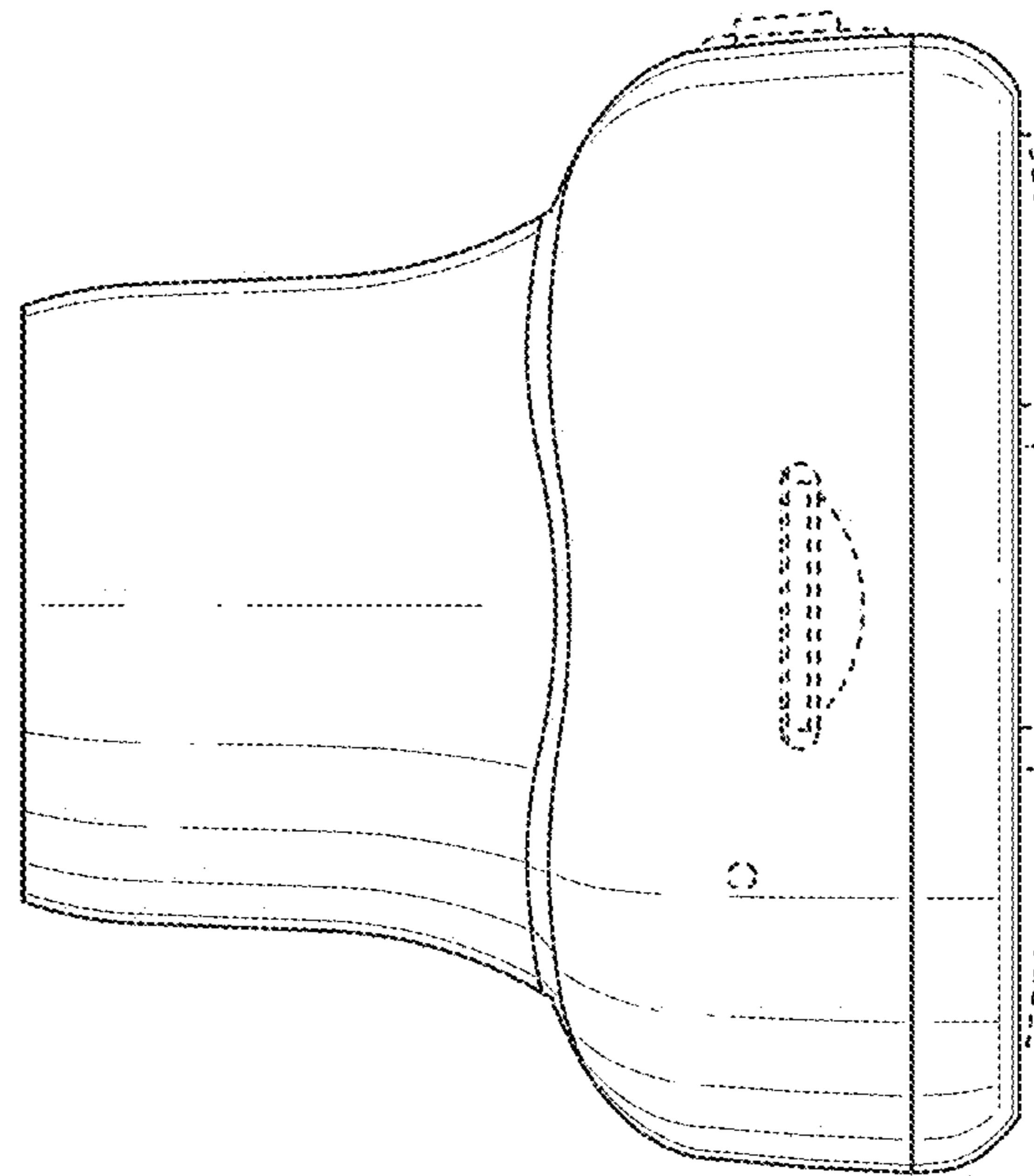


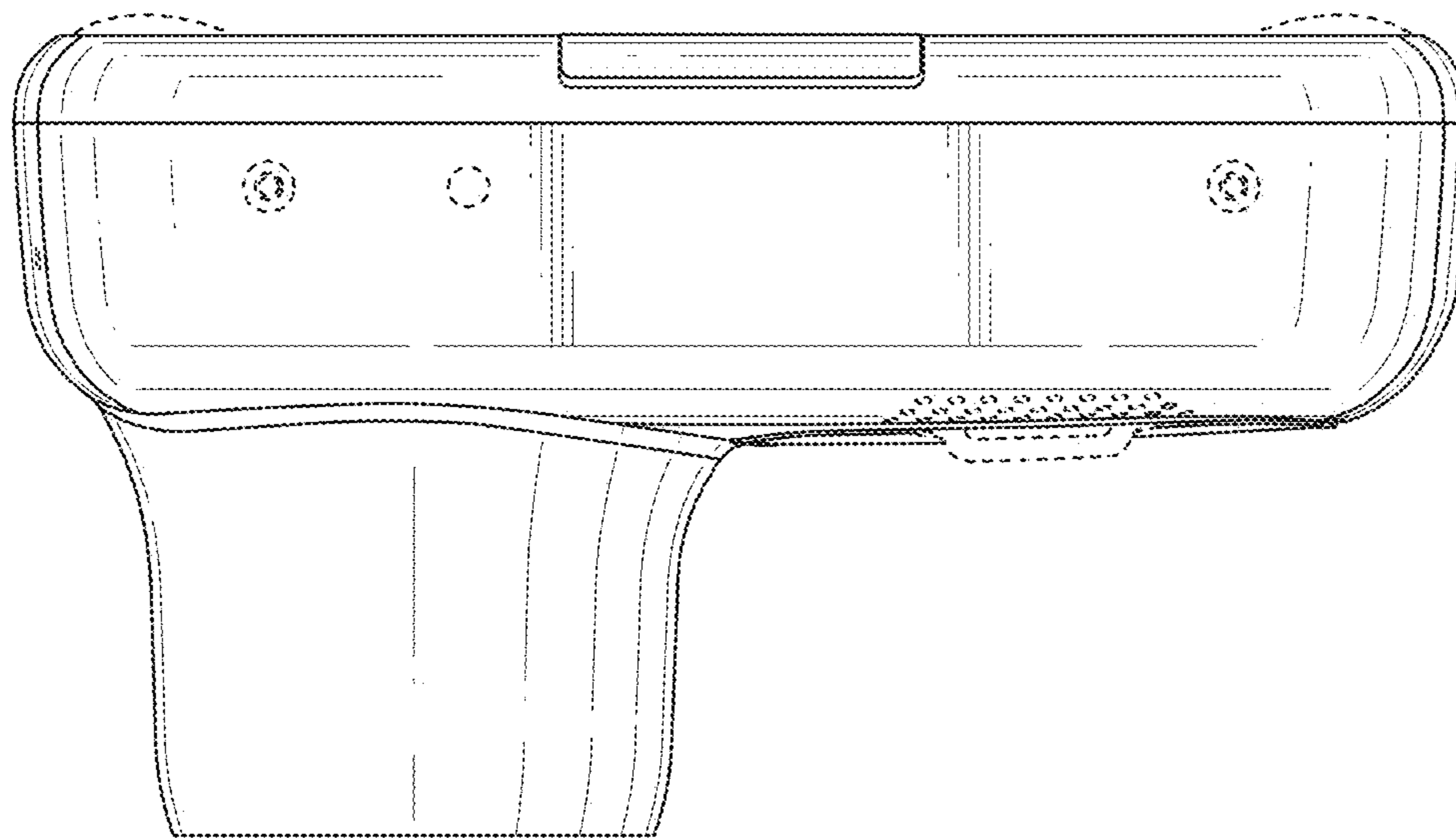
FIG. 2



*FIG. 3*



*FIG. 4*



*FIG. 5*



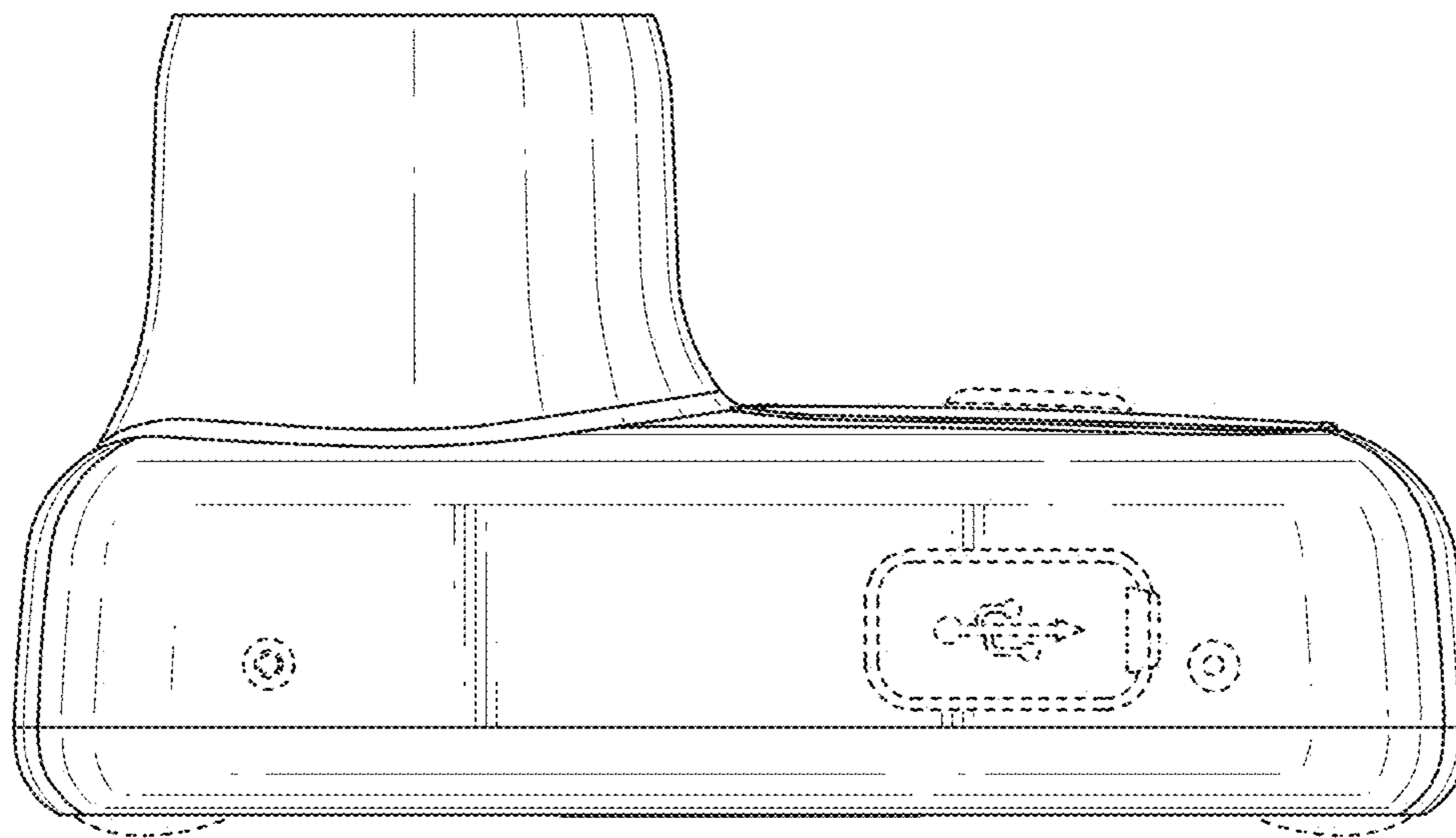


FIG. 6

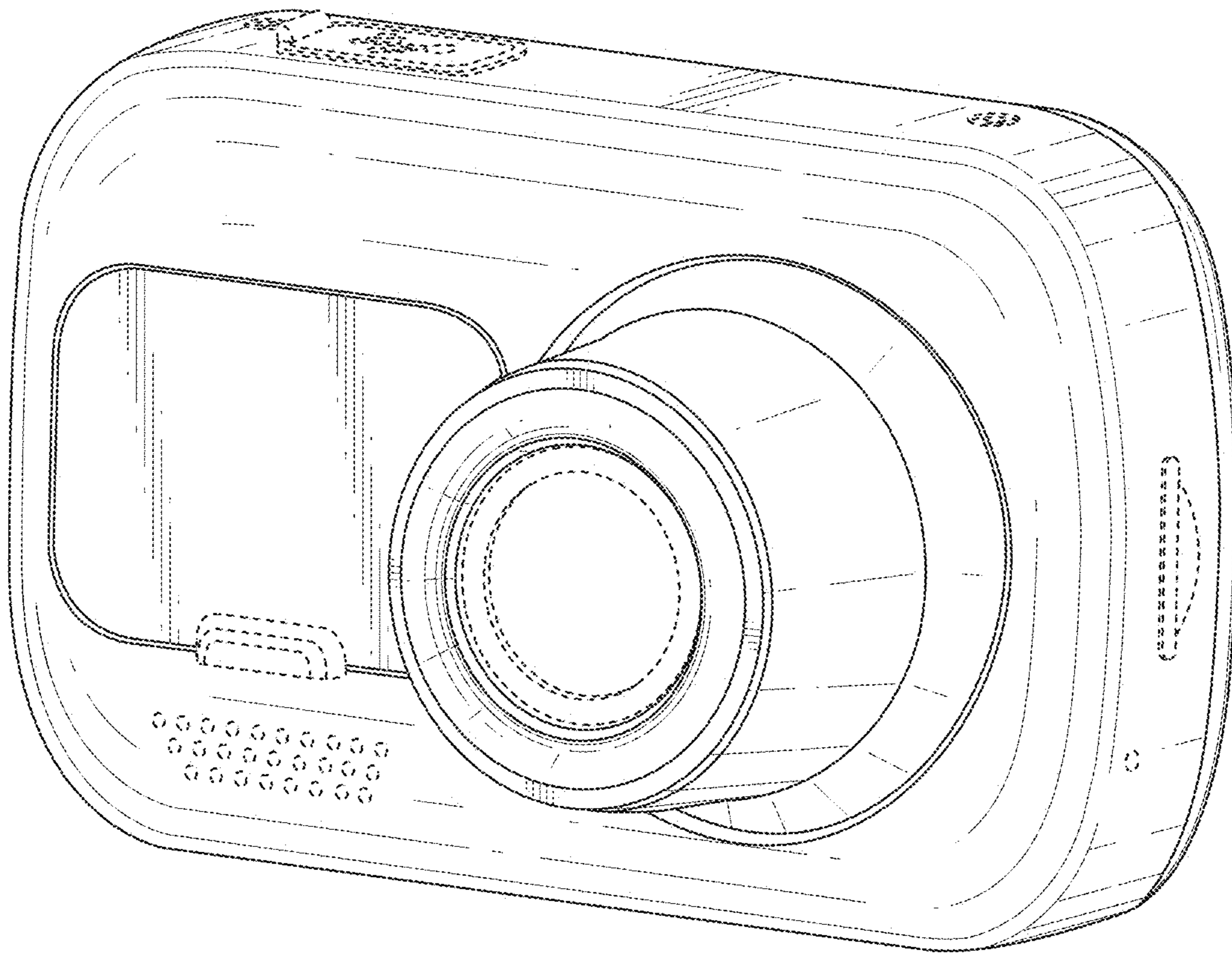


FIG. 7