



US00D916942S

(12) **United States Design Patent**
Sjogren et al.

(10) **Patent No.:** **US D916,942 S**

(45) **Date of Patent:** **** Apr. 20, 2021**

(54) **MONITORING CAMERA**

(71) Applicant: **AXIS AB**, Lund (SE)

(72) Inventors: **Jonas Sjogren**, Lund (SE); **Sebastian Engwall**, Lund (SE); **Fredrik Axelsson**, Lund (SE); **Jonatan Ehde**, Dalby (SE)

(73) Assignee: **AXIS AB**, Lund (SE)

(**) Term: **15 Years**

(21) Appl. No.: **29/714,796**

(22) Filed: **Nov. 26, 2019**

(30) **Foreign Application Priority Data**

May 27, 2019 (EM) 006522728-0002

(51) **LOC (13) Cl.** **16-01**

(52) **U.S. Cl.**
USPC **D16/203**

(58) **Field of Classification Search**
USPC D16/200, 202-206, 218, 219, 242;
348/143, 148, 151, 373-376; 396/419,
396/427, 535, 539-541
CPC G03B 17/02; G03B 19/04; G03B 17/56;
G03B 17/04; G03B 15/03; H04N 5/2251;
H04N 5/2252; H04N 5/2253; H04N
5/2254; H04N 7/181; H04N 7/183; H04N
7/18; G08B 13/1963; G08B 13/19619;
G08B 13/19632; F16M 11/04; F16M
13/00
See application file for complete search history.

(56) **References Cited**

U.S. PATENT DOCUMENTS

D480,741 S * 10/2003 Berger D16/202
D636,424 S * 4/2011 Lin D16/203
D643,452 S * 8/2011 Alm D16/200
D764,559 S * 8/2016 Luo D16/202
D815,176 S * 4/2018 Ahman D16/203

D818,514 S * 5/2018 Ahman D16/203
D820,897 S * 6/2018 Rusz D16/203
D822,748 S * 7/2018 Van Deusen D16/218
D831,090 S * 10/2018 Ahman D16/203
D861,764 S * 10/2019 Zhao D16/218
D873,890 S * 1/2020 Fidler D16/218
D884,771 S * 5/2020 Wang D16/218
D908,161 S * 1/2021 Dacosta D16/218

FOREIGN PATENT DOCUMENTS

EM 003230259-0001 6/2016
EM 003230259-0002 6/2016
EM 003230259-0003 6/2016
EM 003514991-0015 12/2016
TW D190813 6/2018
TW D193053 9/2018
TW D195181 1/2019
TW D195632 1/2019
TW D197675 5/2019
WO DM/091789 4/2016

* cited by examiner

Primary Examiner — Ramzi S Almatrahi

(74) *Attorney, Agent, or Firm* — Volpe Koenig

(57) **CLAIM**

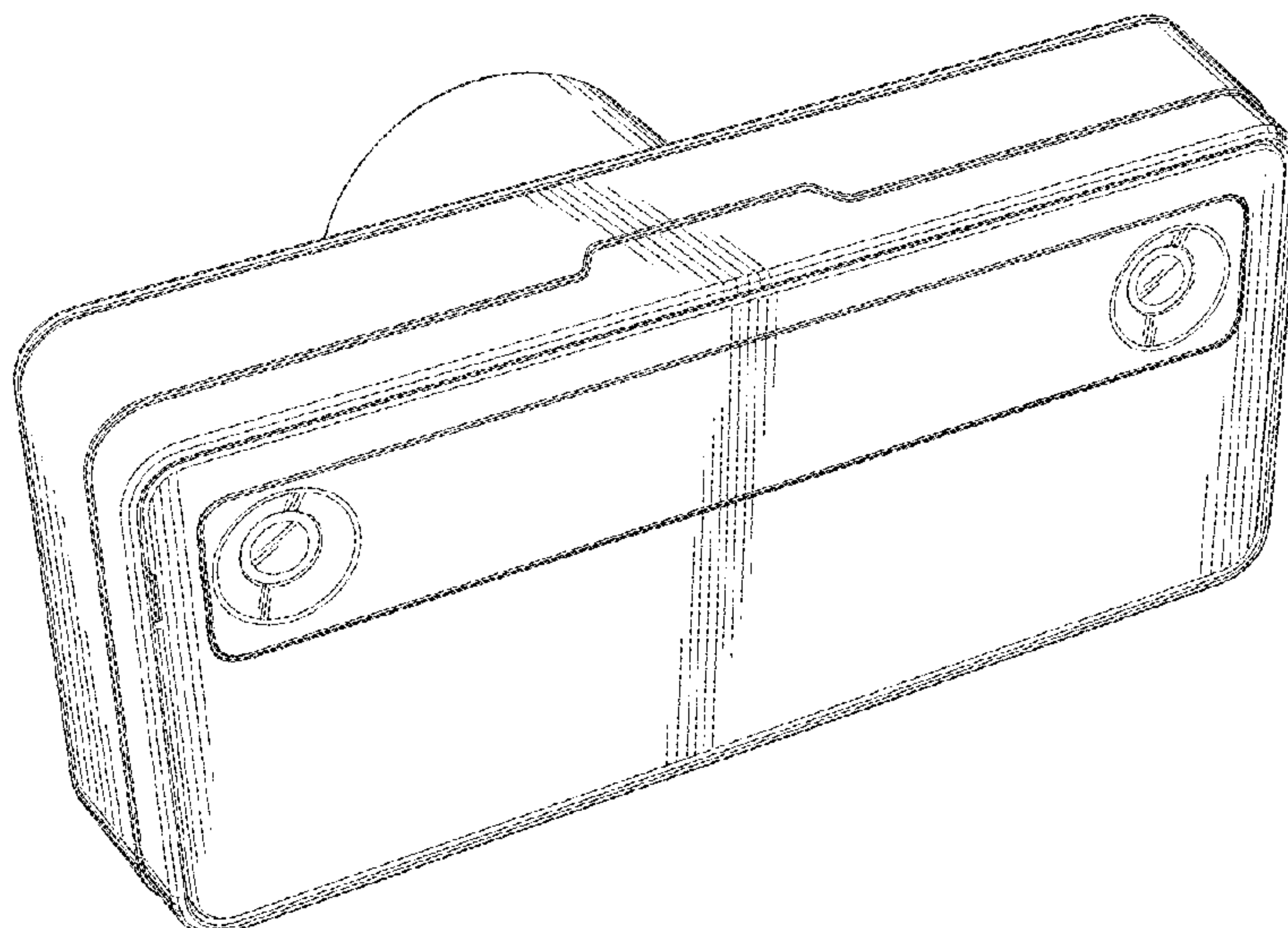
The ornamental design for a monitoring camera, as shown and described.

DESCRIPTION

FIG. 1 is a perspective view of a monitoring camera in accordance with our design;
FIG. 2 is a front elevational view thereof;
FIG. 3 is a top plan view thereof;
FIG. 4 is a right side elevational view thereof;
FIG. 5 is a left side elevational view thereof;
FIG. 6 is a rear elevational view thereof; and,
FIG. 7 is a bottom plan view thereof.

The broken lines represent portions of the monitoring camera in which the design is embodied that form no part of the claimed design.

1 Claim, 4 Drawing Sheets



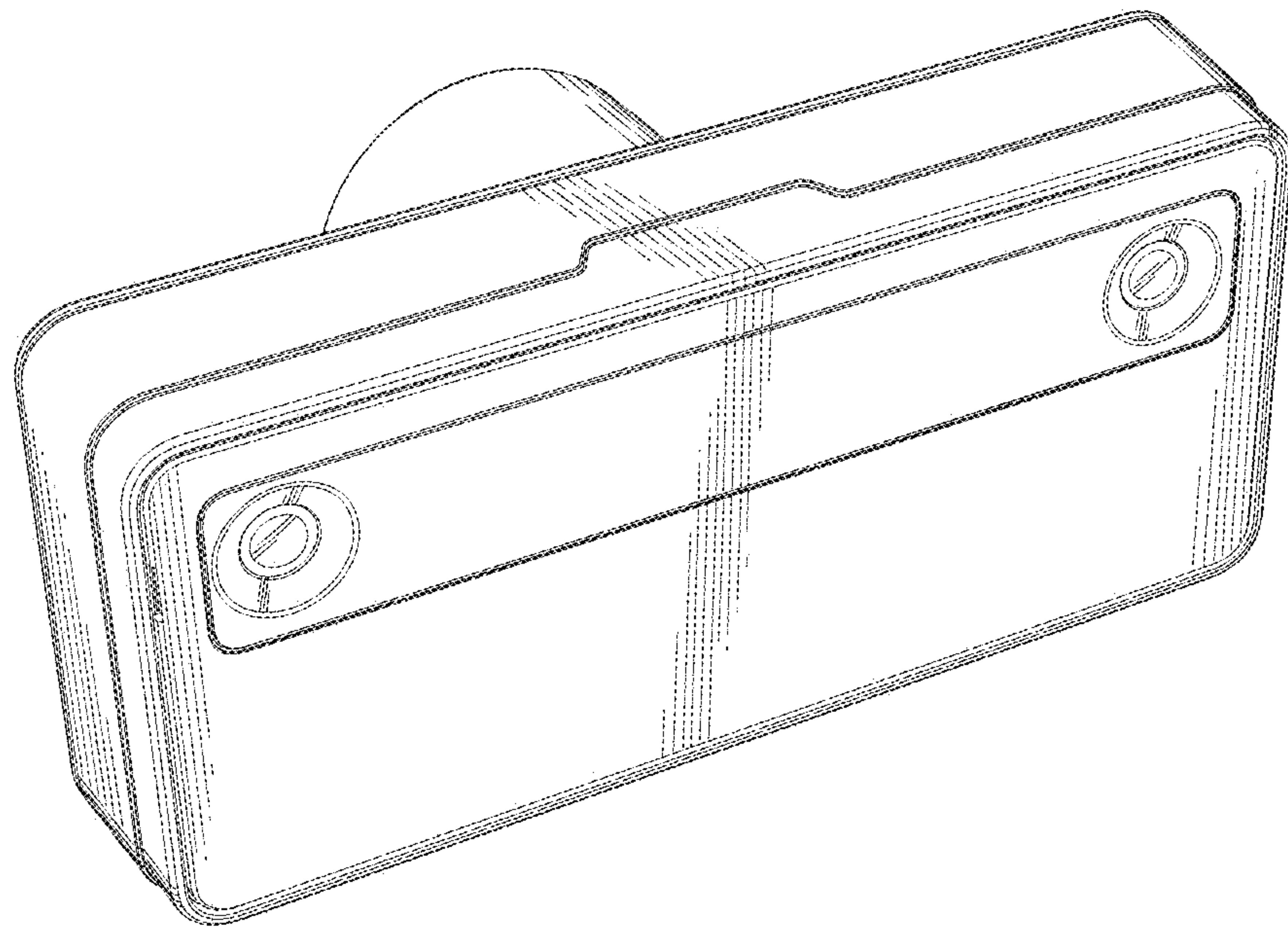


Fig. 1

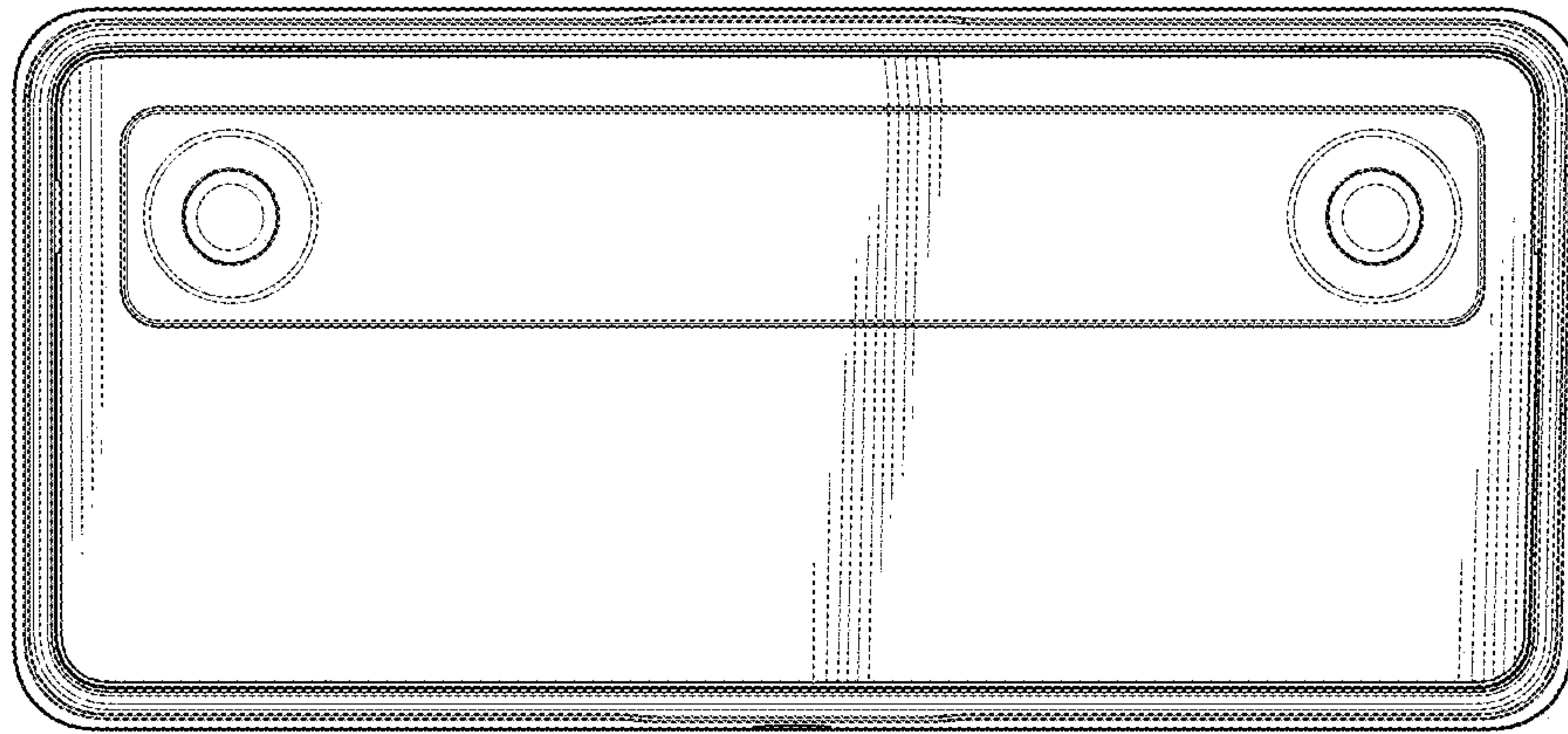


Fig. 2

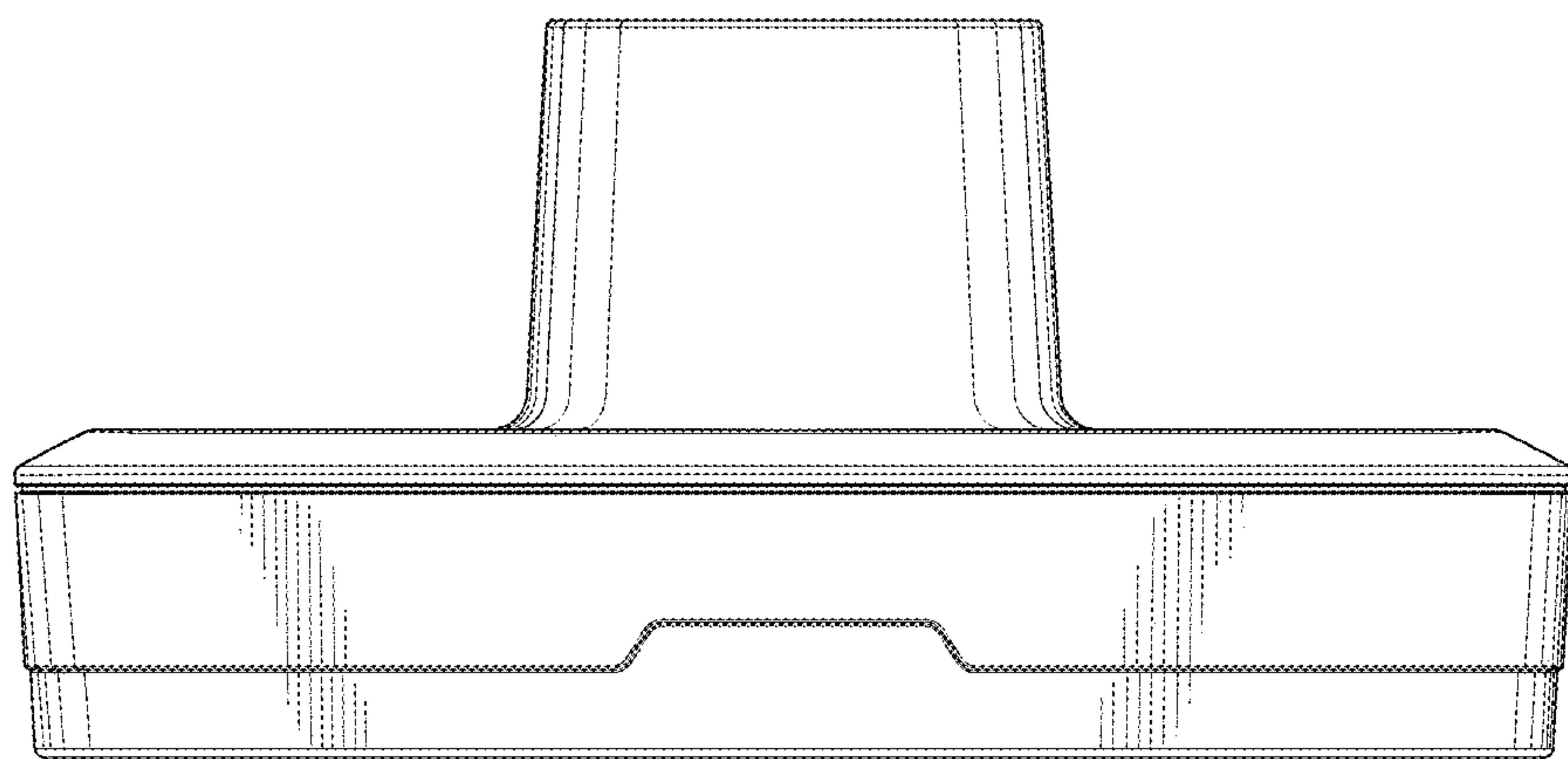


Fig. 3

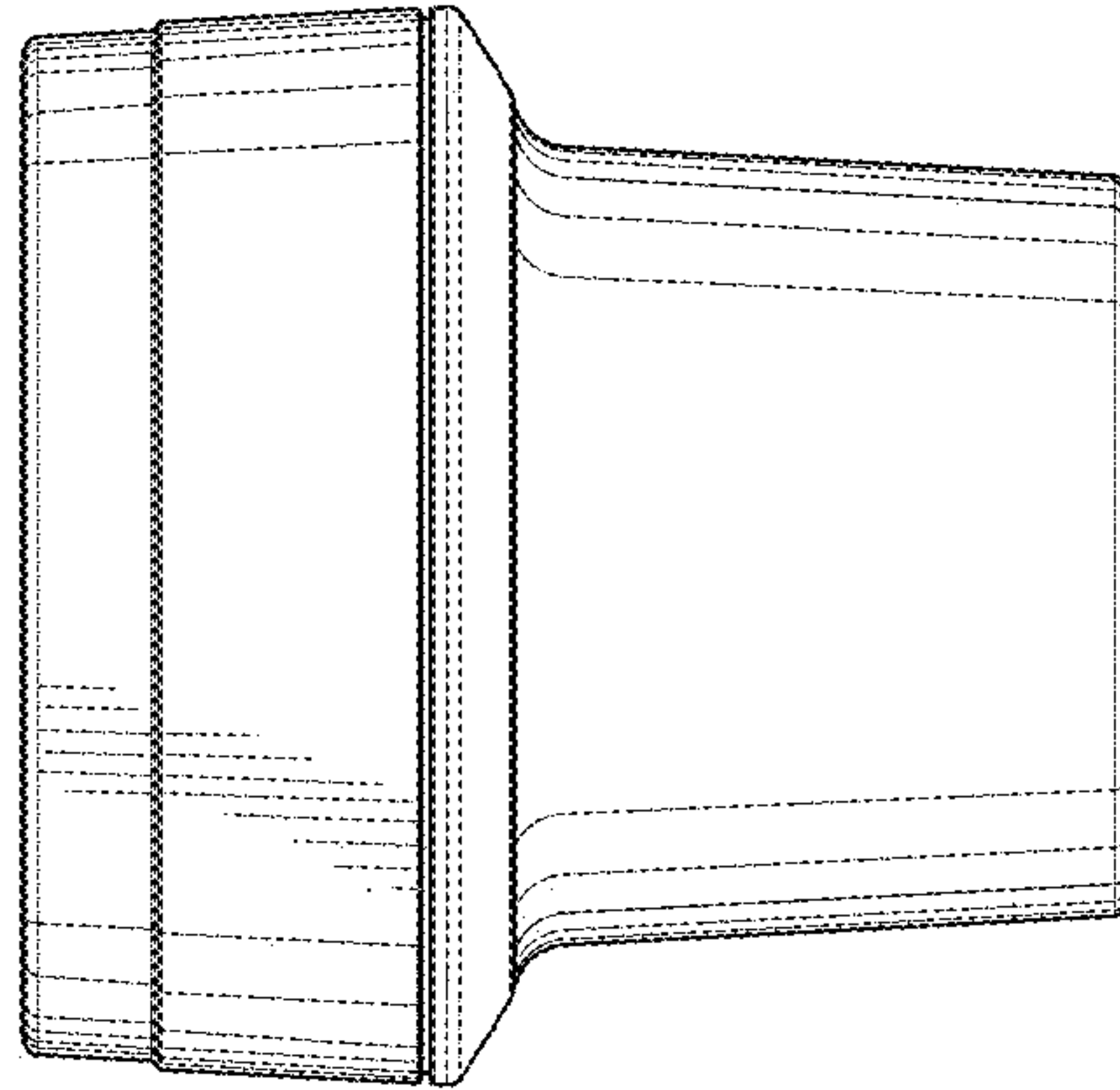


Fig. 4

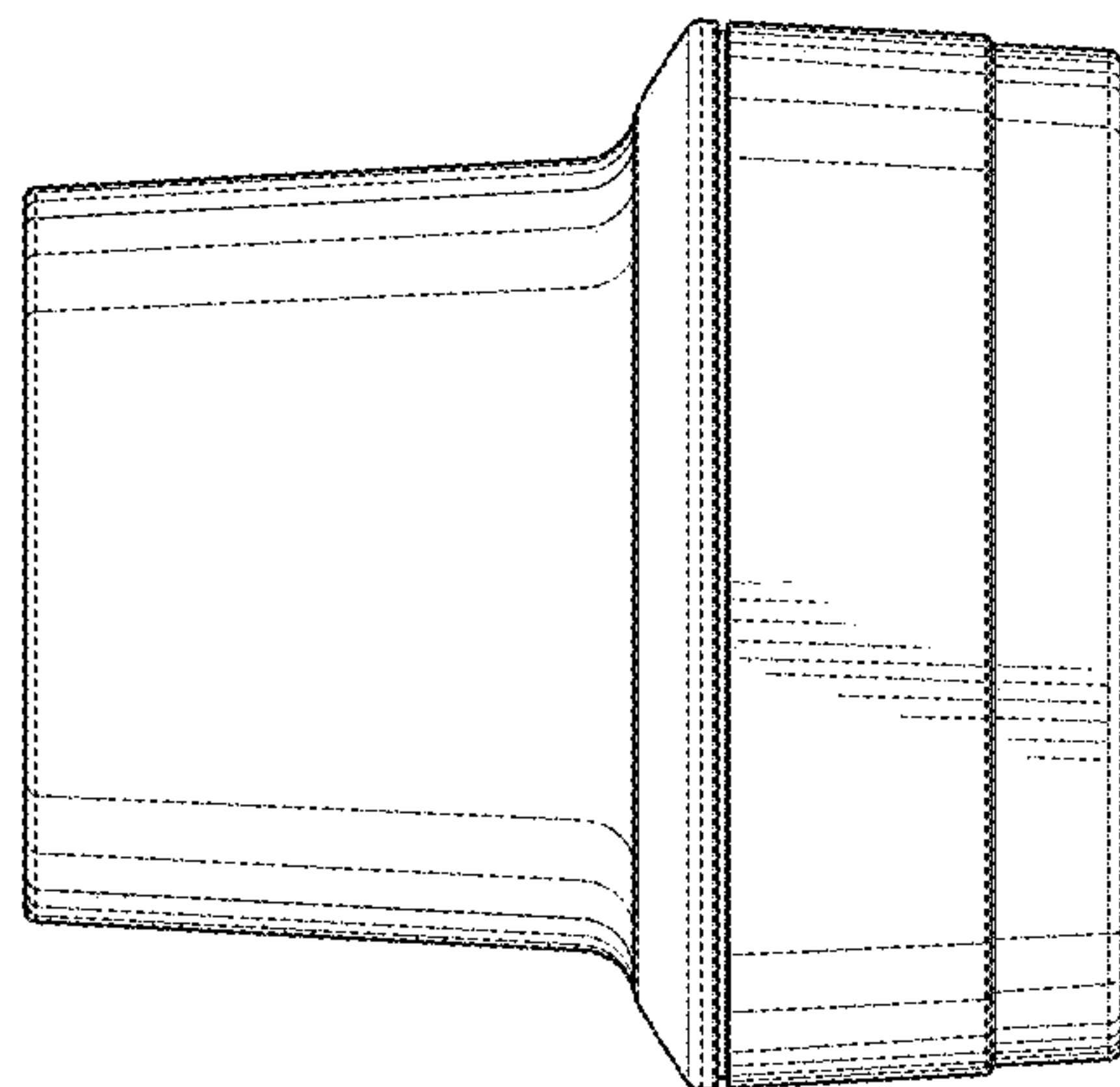


Fig. 5

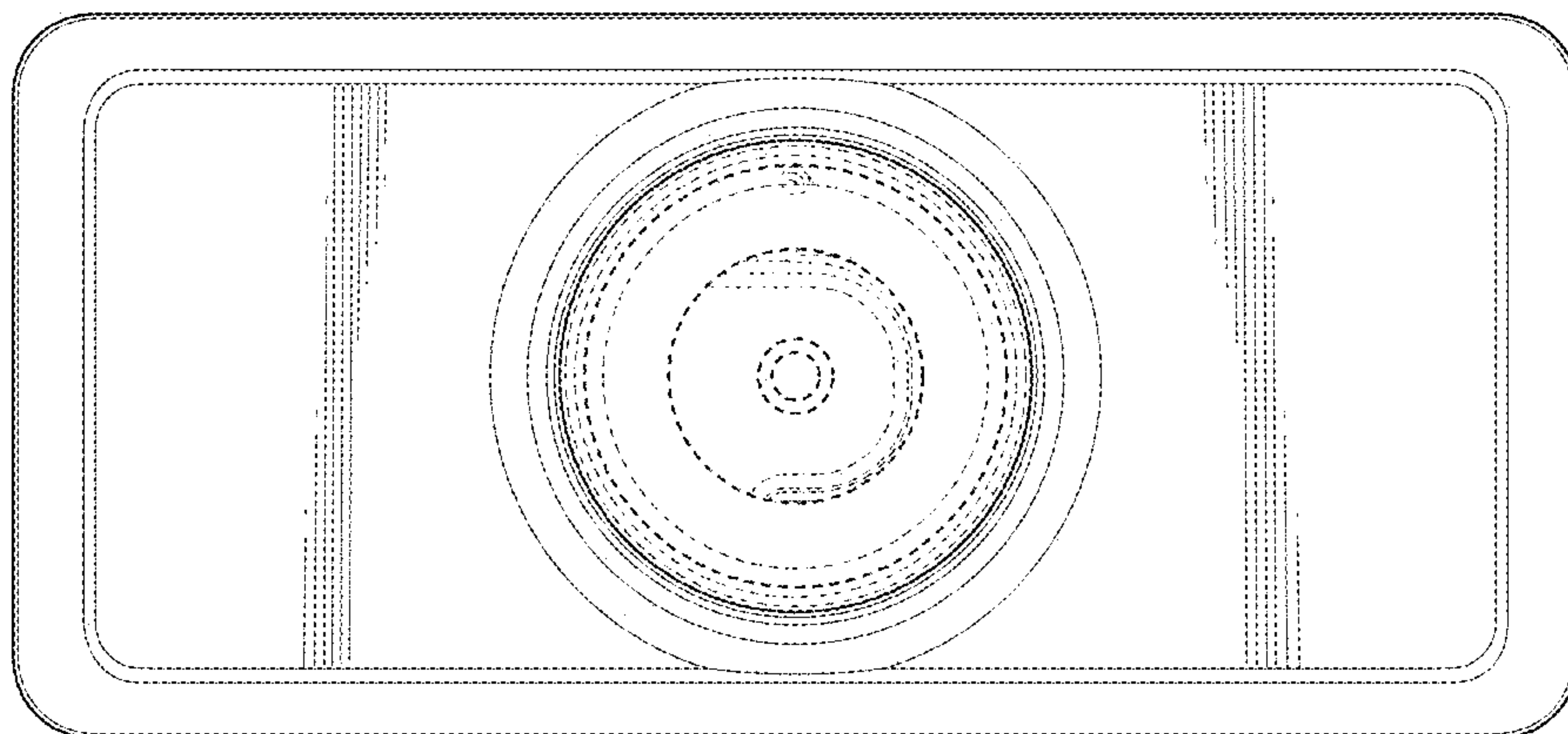


Fig. 6

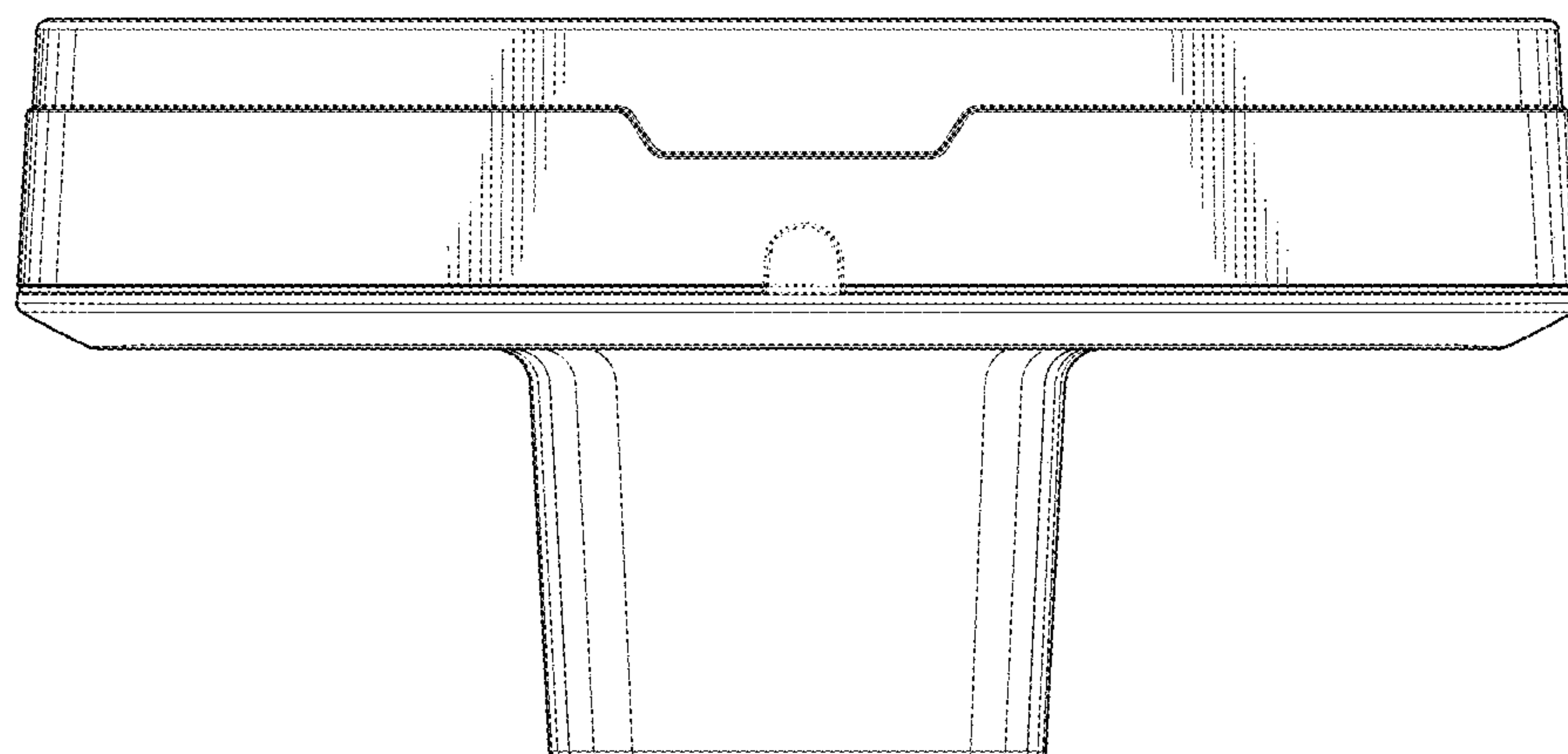


Fig. 7