



US00D916940S

(12) **United States Design Patent**  
**Wang et al.**

(10) **Patent No.:** **US D916,940 S**  
(45) **Date of Patent:** **\*\* Apr. 20, 2021**

(54) **ROBOT VEHICLE**

(71) Applicant: **SZ DJI TECHNOLOGY CO., LTD.**,  
Shenzhen (CN)

(72) Inventors: **Zhen Wang**, Shenzhen (CN); **Bo Liang**, Shenzhen (CN)

(73) Assignee: **SZ DJI TECHNOLOGY CO., LTD.**,  
Shenzhen (CN)

(\*\*) Term: **15 Years**

(21) Appl. No.: **29/684,640**

(22) Filed: **Mar. 22, 2019**

(51) **LOC (13) Cl.** ..... **15-99**

(52) **U.S. Cl.**  
USPC ..... **D15/199**

(58) **Field of Classification Search**  
USPC ..... D15/199; D21/578-583, 621, 622;  
D32/21; D34/34  
CPC ..... B25J 5/007; B60B 19/006; B62D 57/024;  
H01F 7/0221; Y10S 901/01  
See application file for complete search history.

(56) **References Cited**

**U.S. PATENT DOCUMENTS**

4,137,984	A *	2/1979	Jennings	.....	B62D 1/28
					180/168
D309,930	S *	8/1990	Asaeda	.....	D21/548
D317,336	S *	6/1991	Tsuchiya	.....	D21/550
5,727,985	A *	3/1998	George	.....	A63H 17/004
					446/437
D593,616	S *	6/2009	Asai	.....	D21/562
9,375,648	B2 *	6/2016	Hippely	.....	A63H 33/003
D762,269	S *	7/2016	Lee	.....	D21/548

D792,524	S *	7/2017	Lee	.....	D21/533
D822,124	S *	7/2018	Bei	.....	D21/533
10,399,616	B2 *	9/2019	Ellerman	.....	A63H 33/26
2007/0259599	A1 *	11/2007	Swisher	.....	A63H 17/02
					446/427
2008/0184840	A1 *	8/2008	Novoplanski	.....	B25J 11/0025
					74/490.01
2012/0322341	A1 *	12/2012	Benedict	.....	A63H 17/40
					446/437
2014/0031977	A1 *	1/2014	Goldenberg	.....	B25J 5/005
					700/245
2015/0224640	A1 *	8/2015	Vu	.....	B25J 19/023
					700/259

\* cited by examiner

*Primary Examiner* — Patricia A Palasik  
(74) *Attorney, Agent, or Firm* — Anova Law Group, PLLC

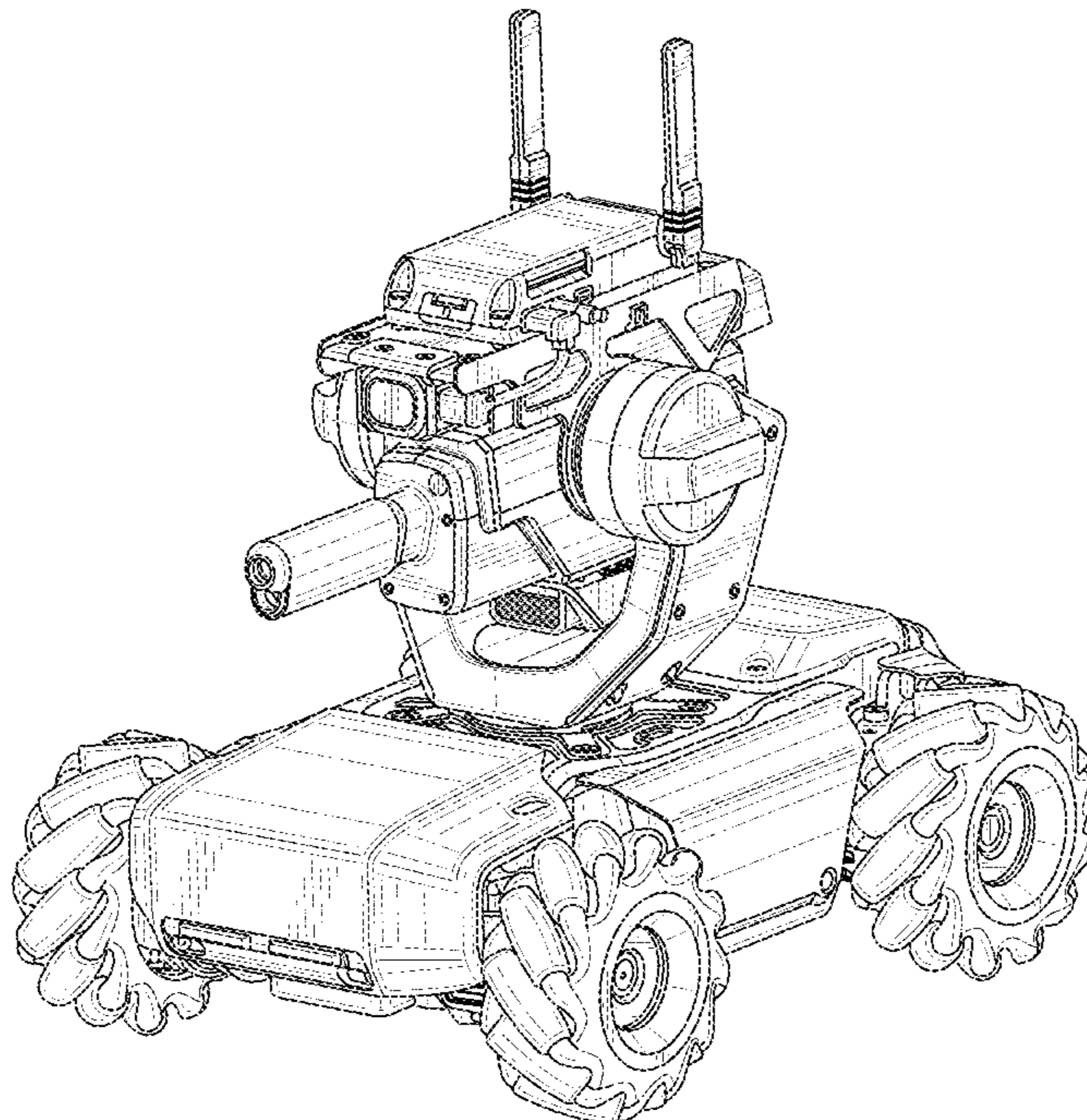
(57) **CLAIM**

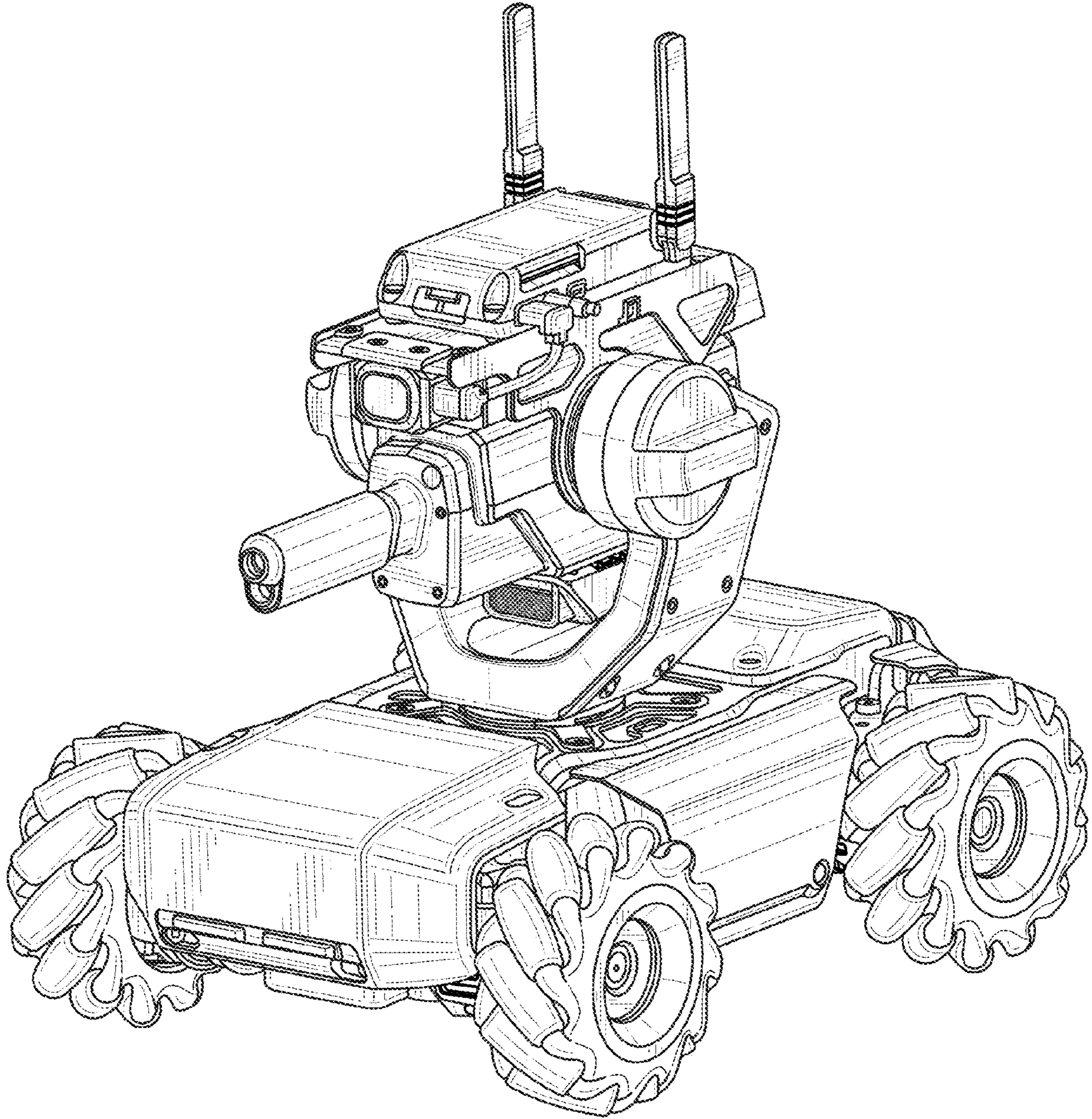
The ornamental design for a robot vehicle, as shown and described.

**DESCRIPTION**

FIG. 1 is a perspective view of a robot vehicle in accordance with the present disclosure;  
FIG. 2 is a front view of the robot vehicle shown in FIG. 1;  
FIG. 3 is a back view of the robot vehicle shown in FIG. 1;  
FIG. 4 is a right view of the robot vehicle shown in FIG. 1;  
FIG. 5 is a left view of the robot vehicle shown in FIG. 1;  
FIG. 6 is a top view of the robot vehicle shown in FIG. 1;  
and,  
FIG. 7 is a bottom view of the robot vehicle shown in FIG. 1.  
The broken lines in the figures show portions of the robot vehicle that form no part of the claimed design.

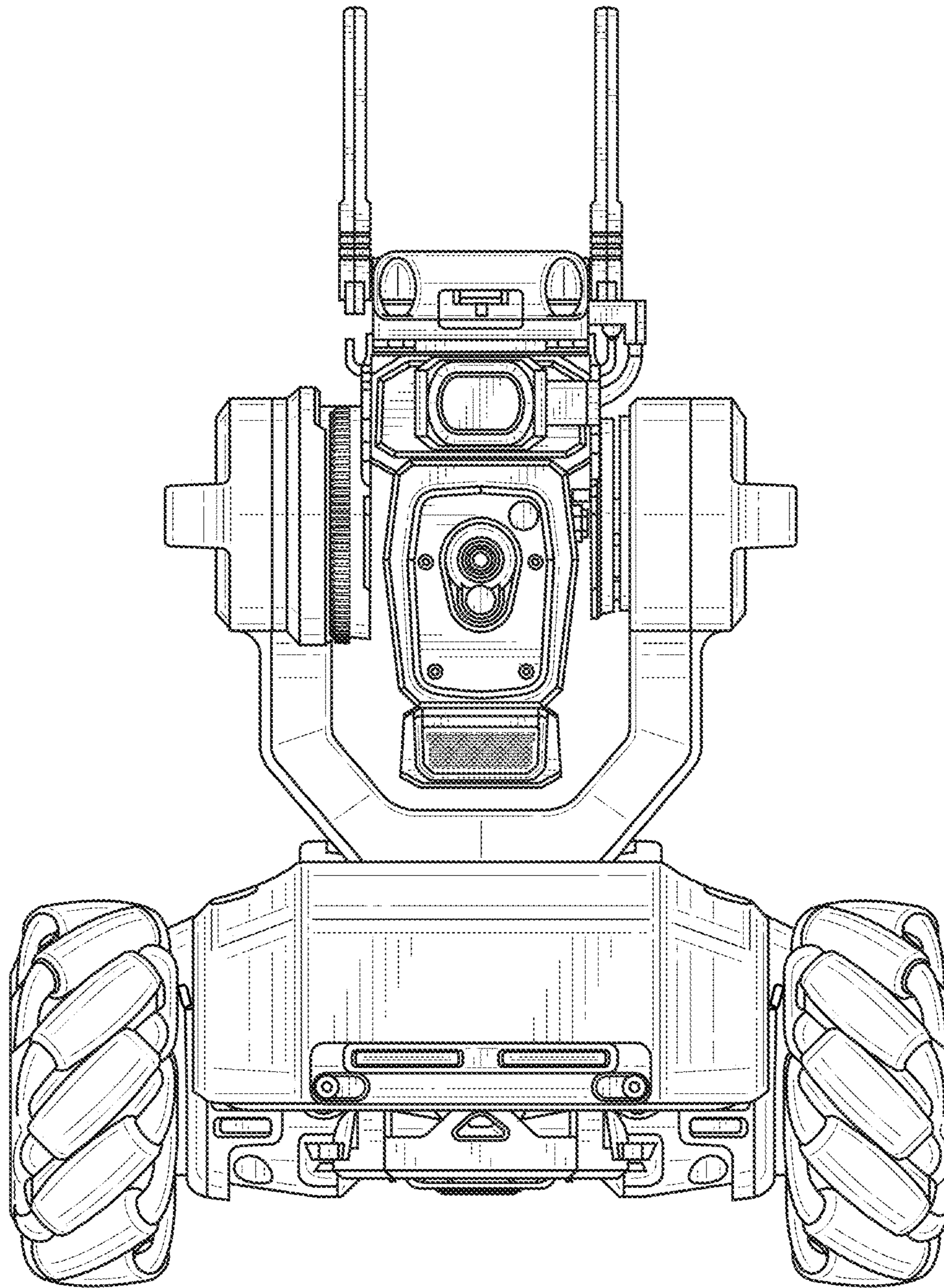
**1 Claim, 7 Drawing Sheets**



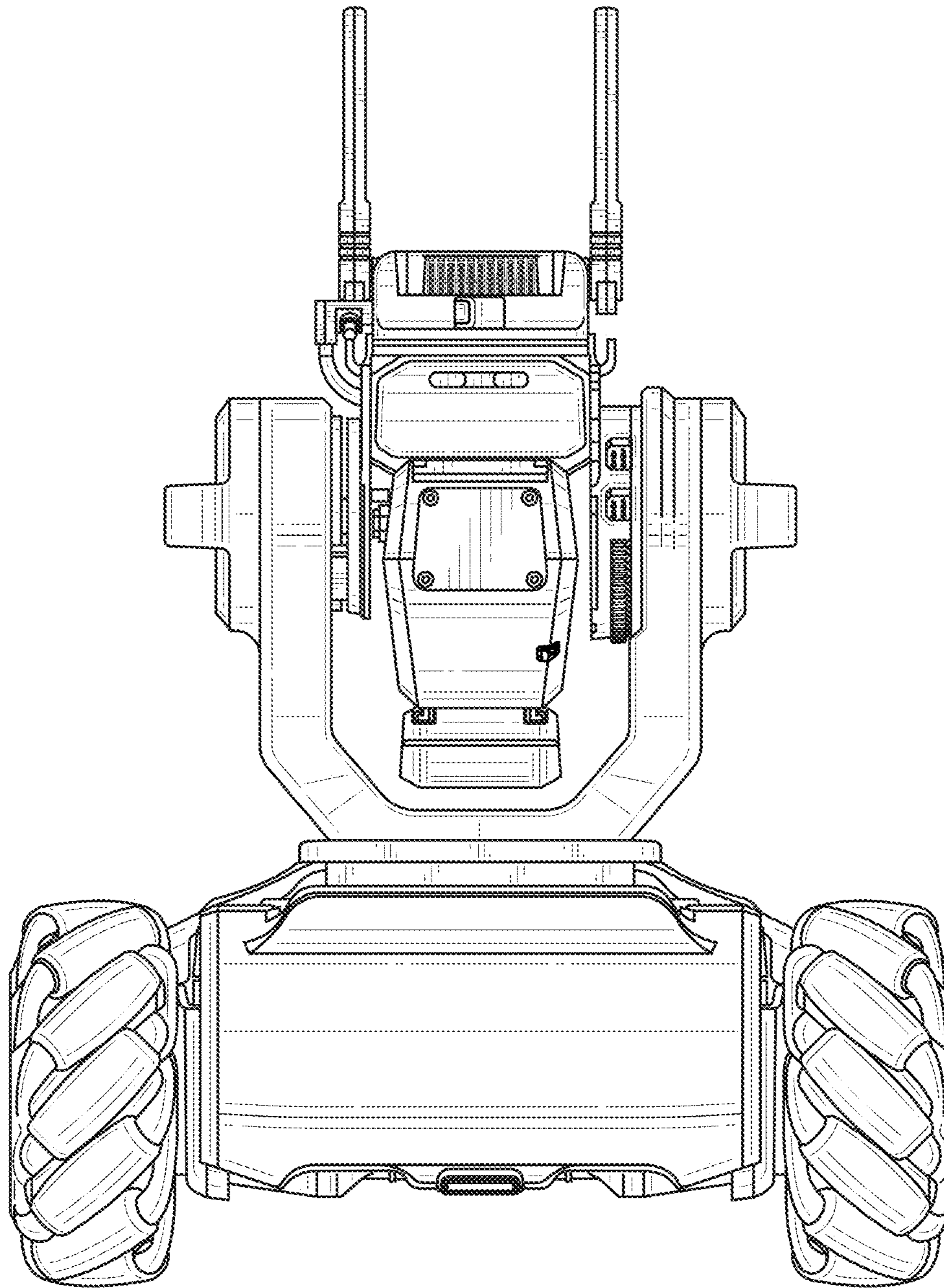


**FIG. 1**





**FIG. 2**



**FIG. 3**



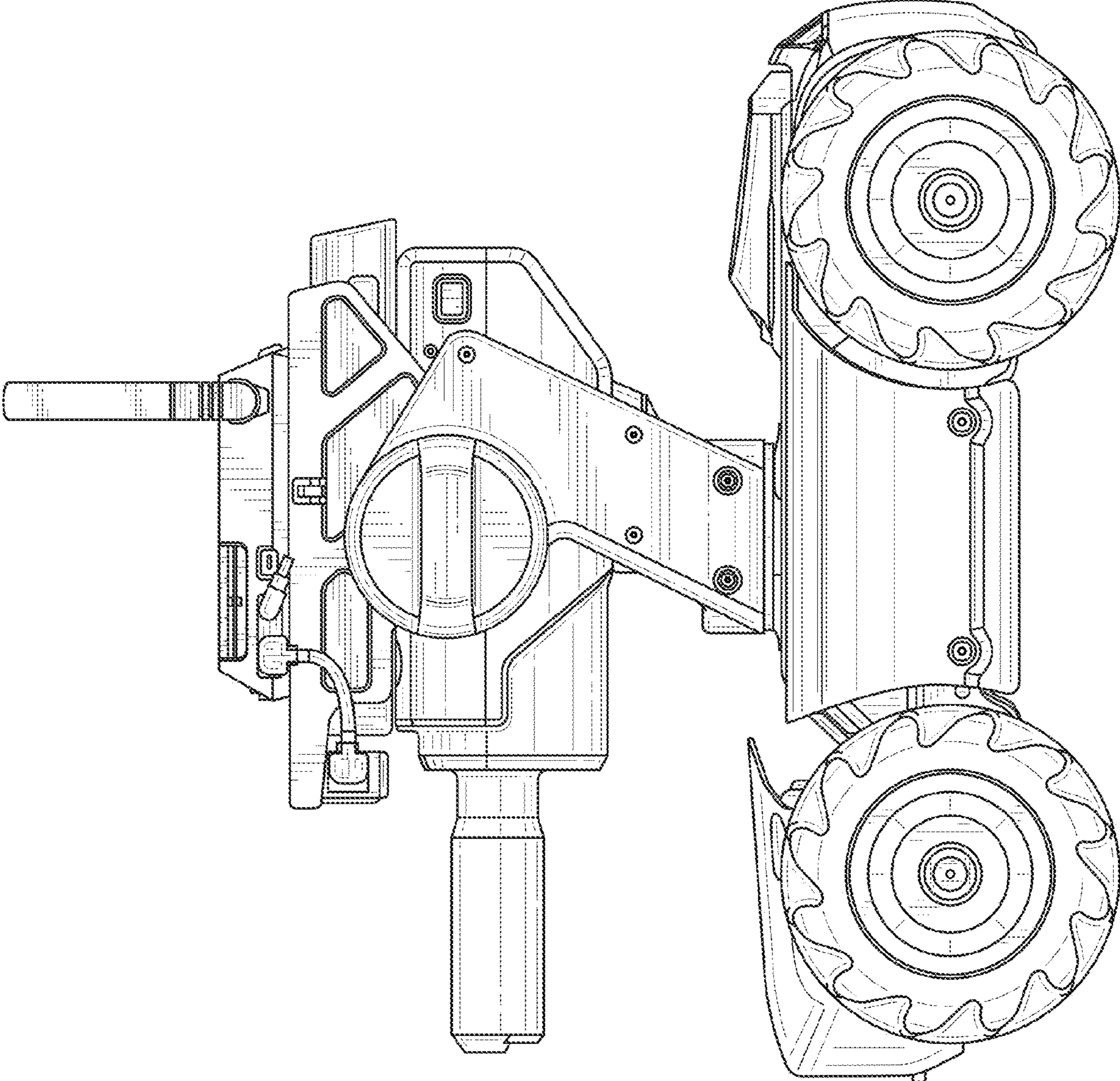


FIG. 4

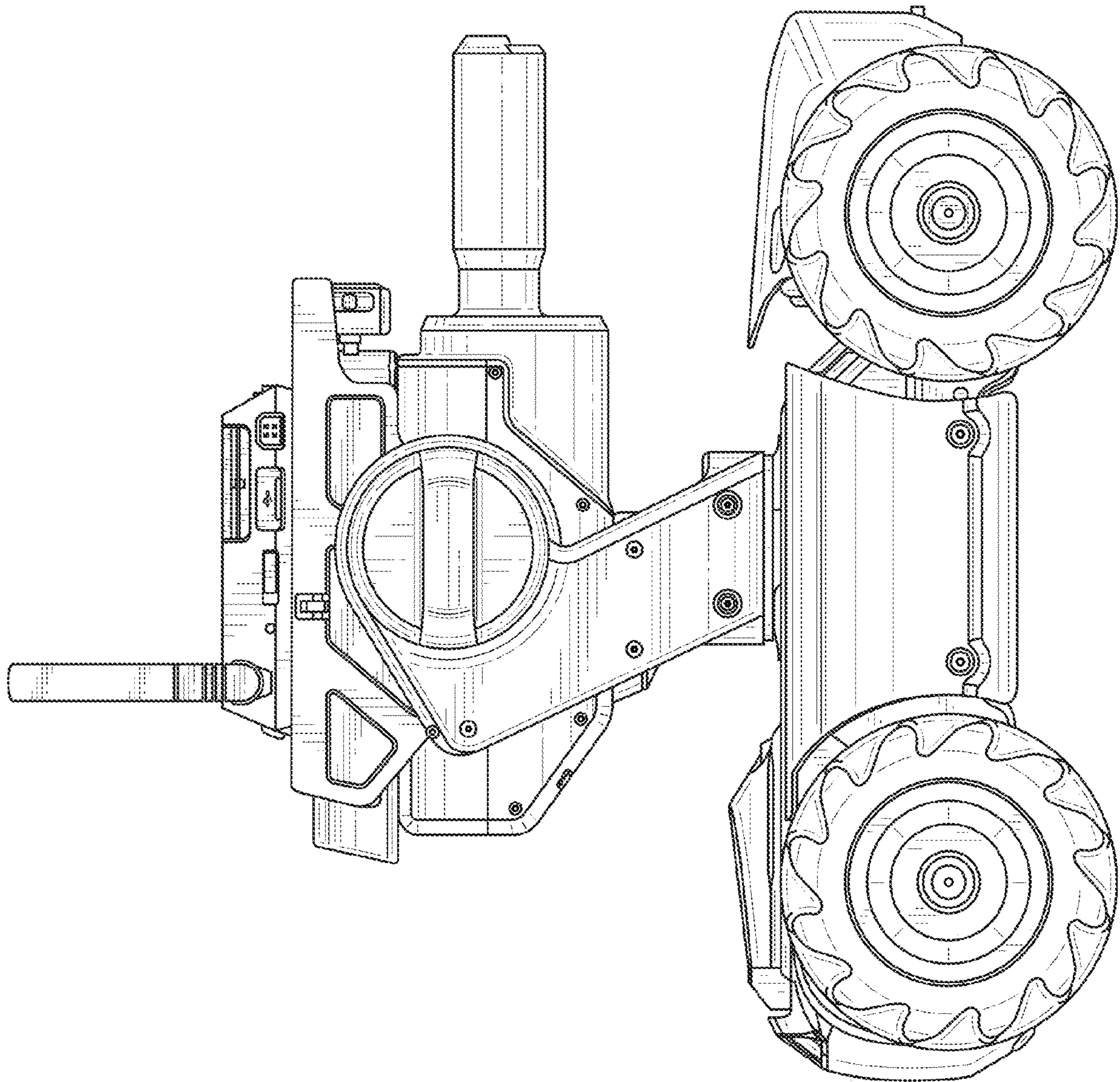
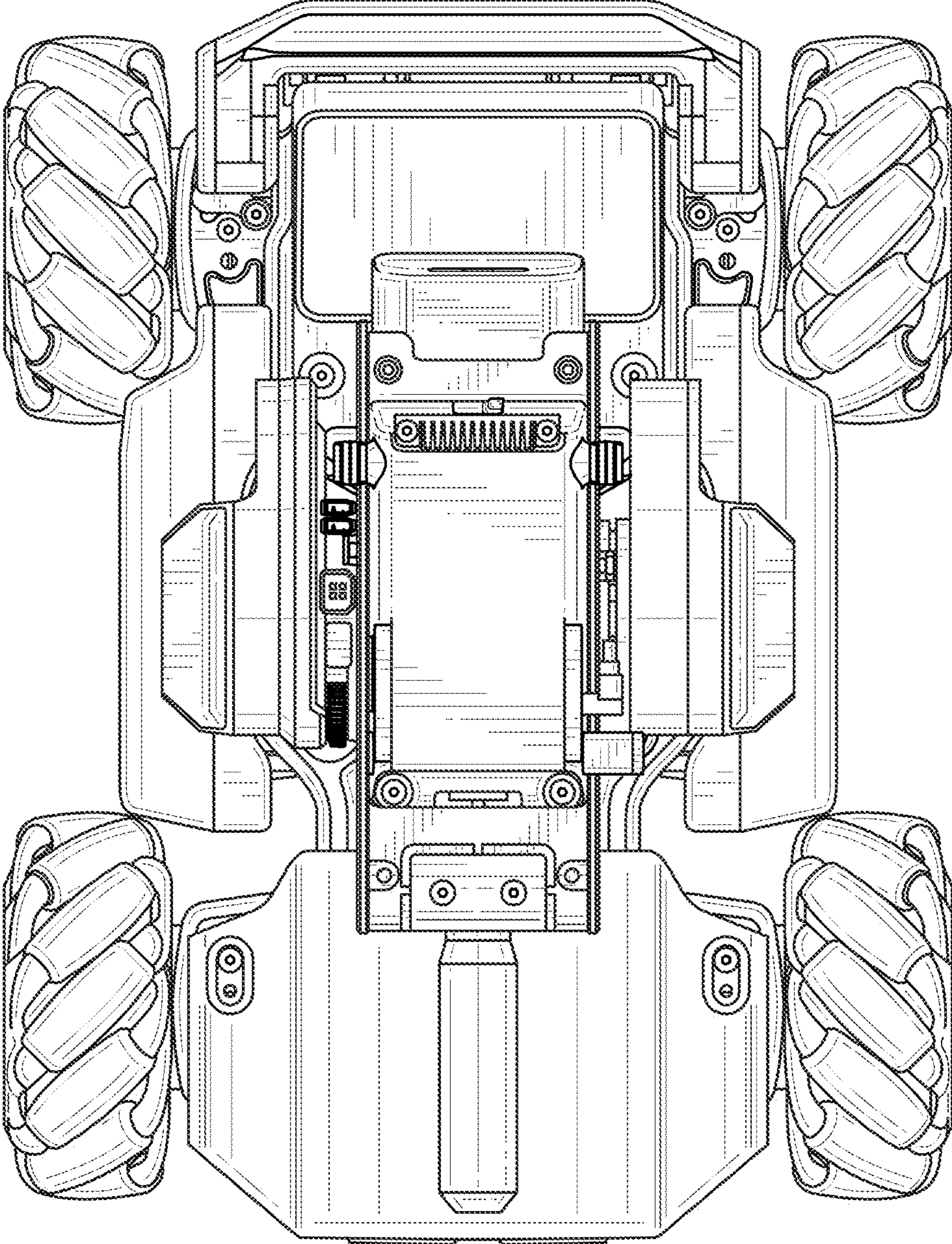


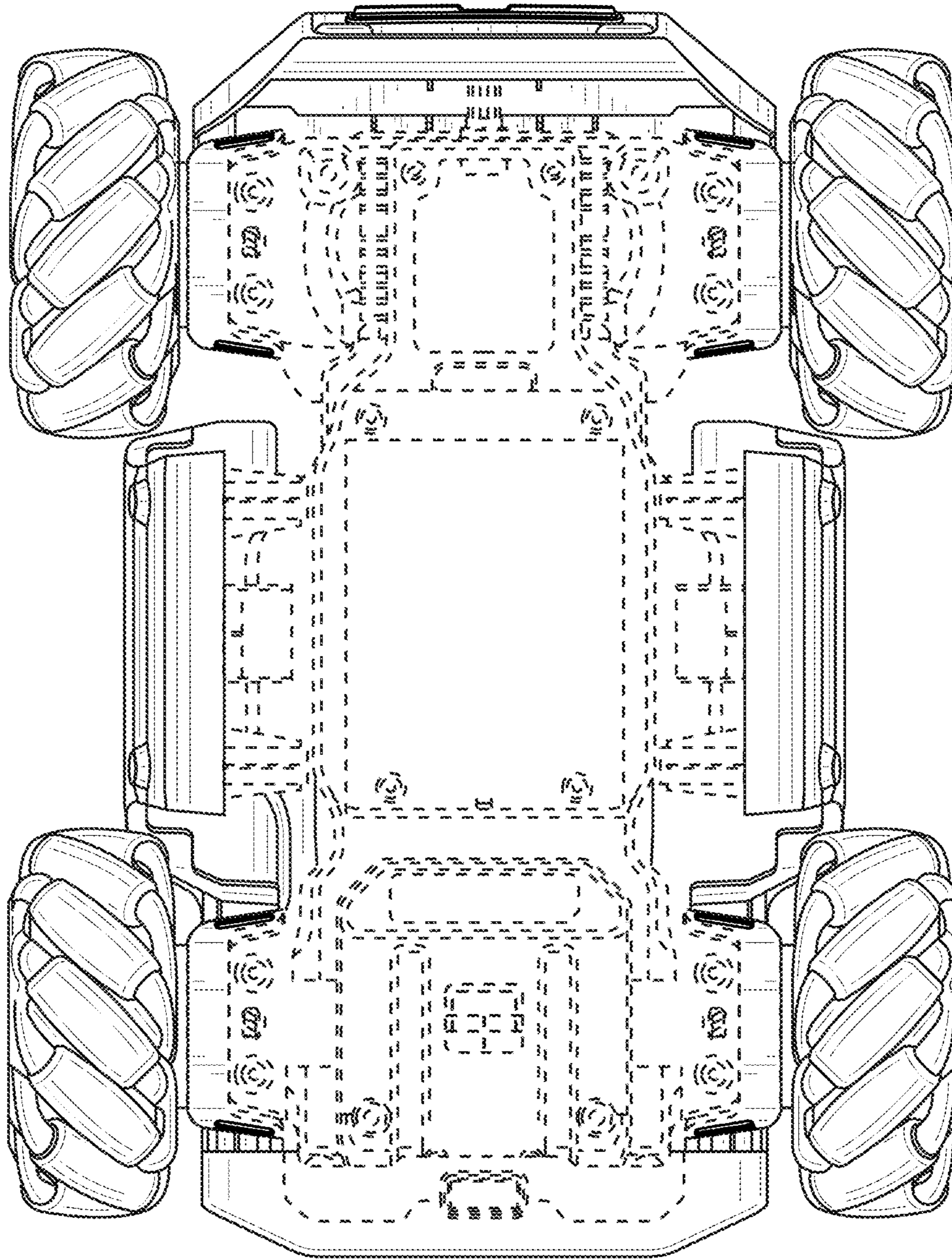
FIG. 5





**FIG. 6**





**FIG. 7**