



US00D916939S

(12) **United States Design Patent**
Kishi et al.

(10) **Patent No.:** **US D916,939 S**
(45) **Date of Patent:** **** Apr. 20, 2021**

(54) **END PLATE FOR MOTION GUIDE DEVICE**

5,143,454 A * 9/1992 Morita F16C 29/002
384/37

(71) Applicant: **THK CO., LTD.**, Tokyo (JP)

5,181,780 A * 1/1993 Morita B23Q 11/0032
384/37

(72) Inventors: **Hiroyuki Kishi**, Tokyo (JP);
Mitsumasa Wada, Tokyo (JP);
Hiroyoshi Yasutake, Tokyo (JP); **Eriko Oshima**, Tokyo (JP)

5,267,796 A * 12/1993 Nonaka B22D 19/00
384/13

(Continued)

(73) Assignee: **THK CO., LTD.**, Tokyo (JP)

(**) Term: **15 Years**

(21) Appl. No.: **29/699,436**

(22) Filed: **Jul. 25, 2019**

OTHER PUBLICATIONS

Office Action dated Feb. 2, 2018, issued in counterpart Japanese Application No. 2017-011618.

Primary Examiner — Patricia A Palasik

(74) *Attorney, Agent, or Firm* — Westerman, Hattori, Daniels & Adrian, LLP

(57) **CLAIM**

The ornamental design for an end plate for motion guide device, as shown and described.

DESCRIPTION

FIG. 1 is a front elevational view of a second embodiment of an end plate for motion guide device, showing our new design.

FIG. 2 is a rear elevational view thereof.

FIG. 3 is a right side elevational view thereof.

FIG. 4 is a left side elevational view thereof.

FIG. 5 is a top plan view thereof.

FIG. 6 is a bottom plan view thereof.

FIG. 7 is a perspective view, showing the front, top, and right-side thereof.

FIG. 8 is a perspective view, showing the rear, bottom, and left-side thereof.

FIG. 9 is a perspective view, showing the front, bottom, and right-side thereof; and,

FIG. 10 is a perspective view, showing the rear, top, and left-side thereof.

The broken lines illustrate environmental structure and form no part of the claimed design. The dot-dash lines form boundaries of the claimed design and form no part thereof.

1 Claim, 10 Drawing Sheets

Related U.S. Application Data

(62) Division of application No. 29/627,657, filed on Nov. 29, 2017, now Pat. No. Des. 875,150.

(30) **Foreign Application Priority Data**

May 31, 2017 (JP) 2017-011618

May 31, 2017 (JP) 2017-011619

(51) **LOC (13) Cl.** **15-09**

(52) **U.S. Cl.**
USPC **D15/148**

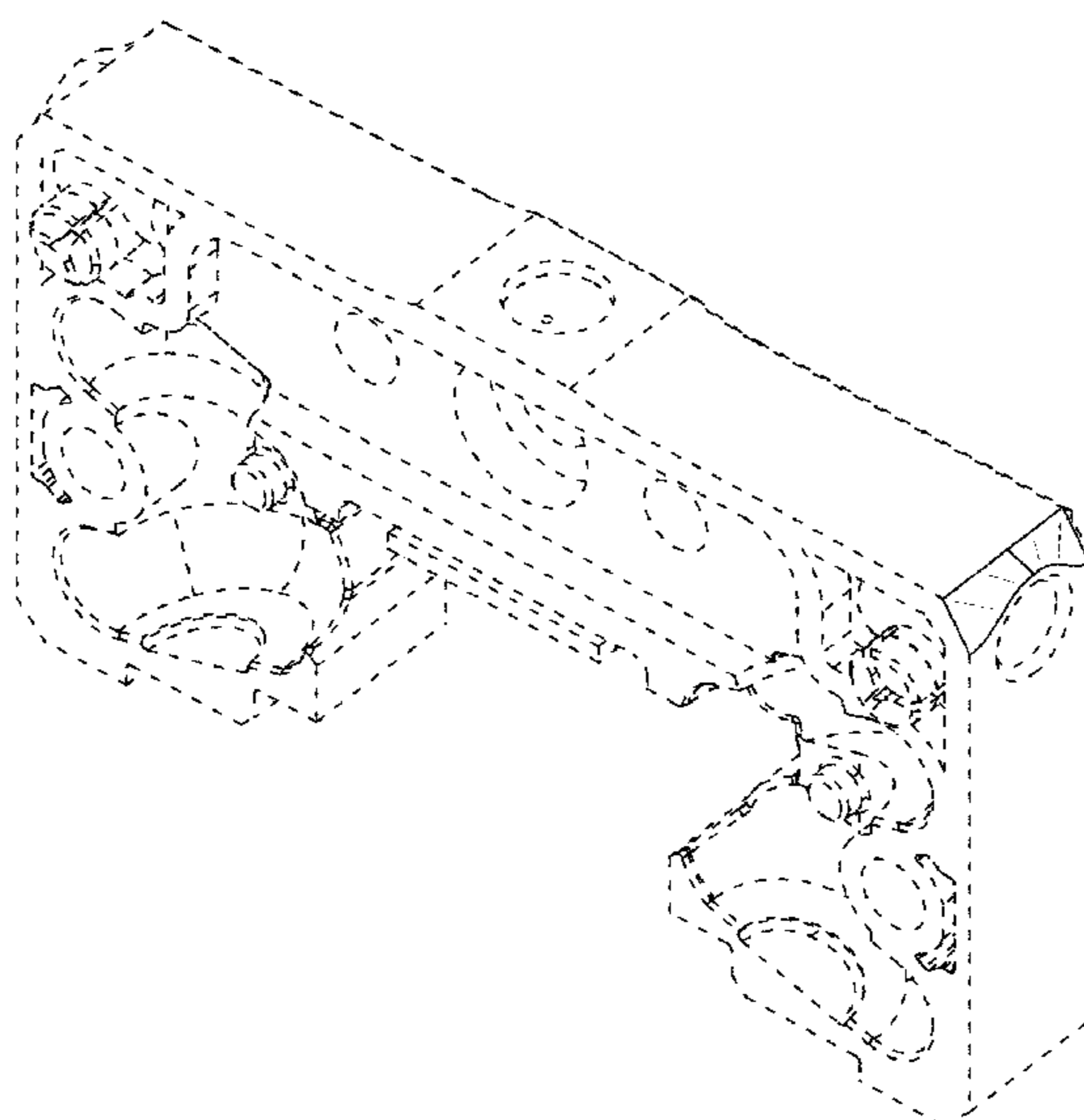
(58) **Field of Classification Search**
USPC D15/148, 199
CPC F16C 29/065; F16C 29/086
See application file for complete search history.

(56) **References Cited**

U.S. PATENT DOCUMENTS

4,775,247 A * 10/1988 Isert F16C 29/004
384/43

4,909,637 A * 3/1990 Mottate F16C 29/063
384/45



(56)

References Cited

U.S. PATENT DOCUMENTS

5,360,271	A *	11/1994	Agari	F16C 29/064 384/15	2009/0161996	A1 *	6/2009	Michioka	F16C 29/00 384/8
5,393,144	A *	2/1995	Higuchi	B23Q 1/58 384/45	2009/0252442	A1 *	10/2009	Michioka	F16C 29/0607 384/13
5,435,649	A *	7/1995	Kuwahara	F16C 29/064 384/13	2009/0304312	A1 *	12/2009	Horie	B25J 19/0062 384/13
5,575,566	A *	11/1996	Faulhaber	F16C 29/082 384/15	2010/0080496	A1 *	4/2010	Mochizuki	F16C 29/005 384/45
6,045,265	A *	4/2000	Shirai	F16C 29/0602 384/45	2010/0247007	A1 *	9/2010	Kanoh	F16C 29/041 384/57
6,106,154	A *	8/2000	Agari	F16C 29/086 384/13	2010/0314006	A1 *	12/2010	Hashimoto	C21D 1/10 148/333
6,176,617	B1 *	1/2001	Kamimura	F16C 29/064 384/13	2012/0014628	A1 *	1/2012	Kanoh	F16C 33/543 384/51
6,203,200	B1 *	3/2001	Teramachi	F16C 29/001 29/898.03	2012/0195535	A1 *	8/2012	Shibuya	F16C 33/6648 384/13
6,250,805	B1 *	6/2001	Kuwahara	F16C 29/064 384/15	2012/0328221	A1 *	12/2012	Maki	F16C 29/065 384/13
D875,150	S *	2/2020	Kishi	D15/148	2015/0159695	A1 *	6/2015	Geka	F16C 29/0666 384/44
2002/0102035	A1 *	8/2002	Kuwahara	F16C 29/0657 384/45	2015/0233427	A1 *	8/2015	Chang	F16C 29/0647 384/13
2002/0136472	A1 *	9/2002	Mochizuki	F16C 29/0607 384/45	2015/0345554	A1 *	12/2015	Kikuchi	F16C 29/0611 384/13
2002/0141667	A1 *	10/2002	Ishihara	F16C 29/0657 384/45	2016/0281777	A1 *	9/2016	Nara	F16C 29/063
2003/0156768	A1 *	8/2003	Miyata	F16C 29/005 384/45	2016/0319865	A1 *	11/2016	Nara	F16C 29/041
2003/0179962	A1 *	9/2003	Ishihara	F16C 29/065 384/45	2017/0016483	A1 *	1/2017	Sakagami	F16C 41/007
2007/0223845	A1 *	9/2007	Takei	F16C 29/0635 384/15	2017/0089388	A1 *	3/2017	Matsumoto	F16C 29/0609
2008/0095479	A1 *	4/2008	Chen	F16C 29/00 384/45	2017/0146059	A1 *	5/2017	Tomita	F16C 29/0602
2008/0260307	A1 *	10/2008	Geka	F16C 29/0607 384/50	2017/0254362	A1 *	9/2017	Ishihara	F16C 29/065
					2017/0307011	A1 *	10/2017	Aoki	F16C 29/0609
					2017/0341092	A1 *	11/2017	Yoshida	B05B 1/005
					2018/0010634	A1 *	1/2018	Nara	F16C 29/043
					2018/0066709	A1 *	3/2018	Yamagishi	F16C 29/06
					2018/0073558	A1 *	3/2018	Sakai	F16C 29/06
					2018/0347626	A1 *	12/2018	Nagao	F16C 29/005
					2018/0355915	A1 *	12/2018	Aoki	F16C 29/0623

* cited by examiner

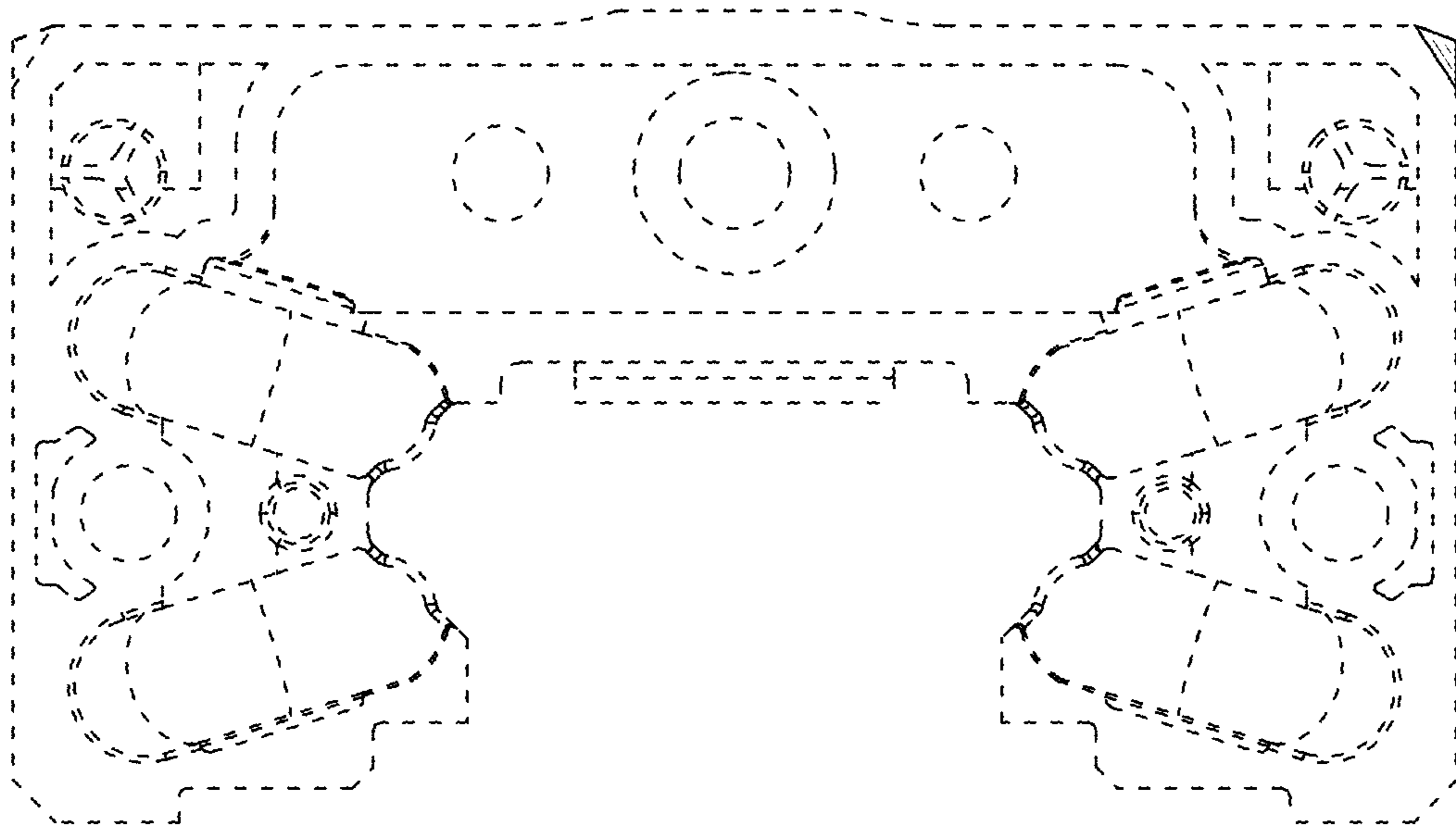


FIG. 1

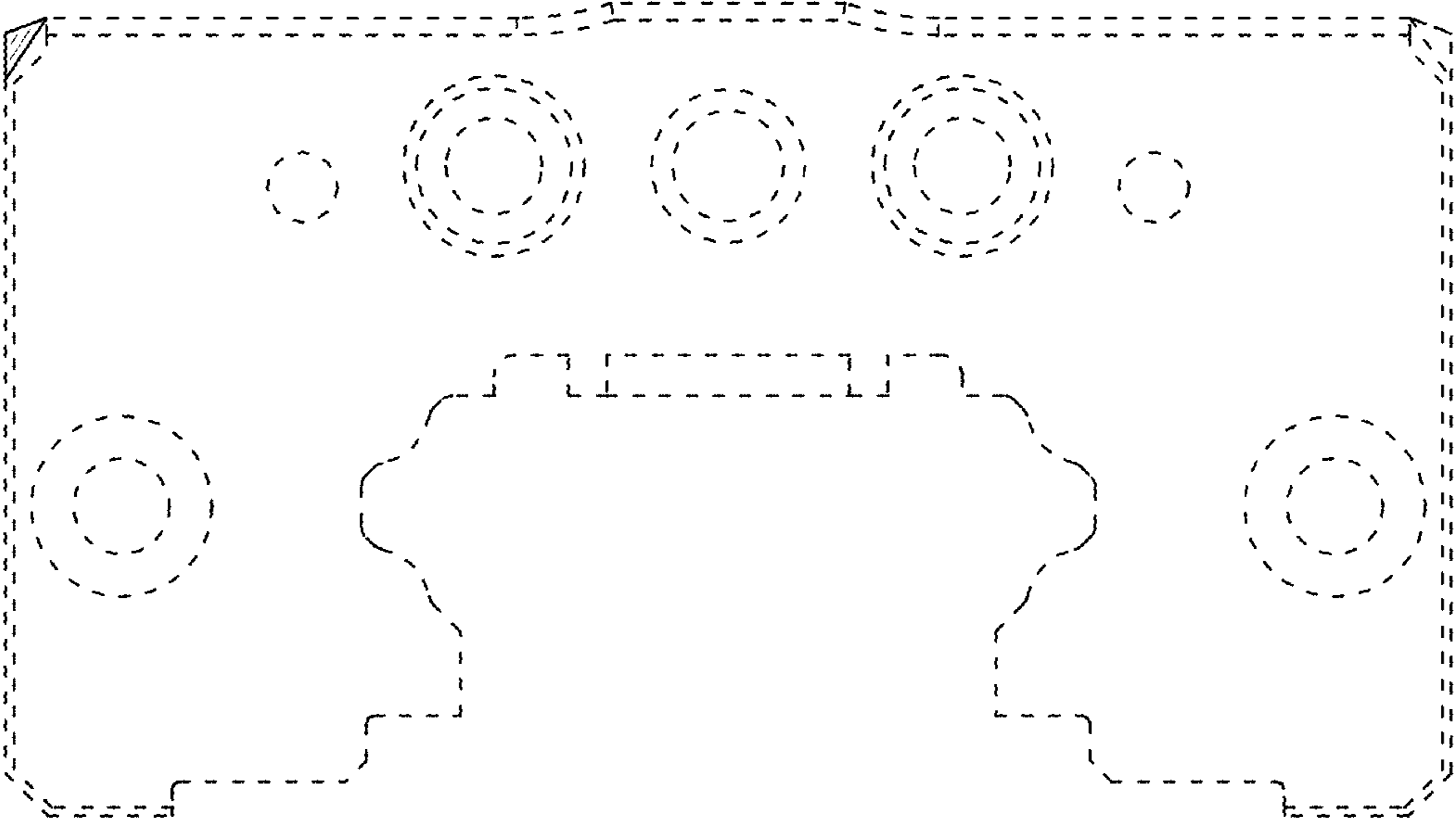


FIG. 2

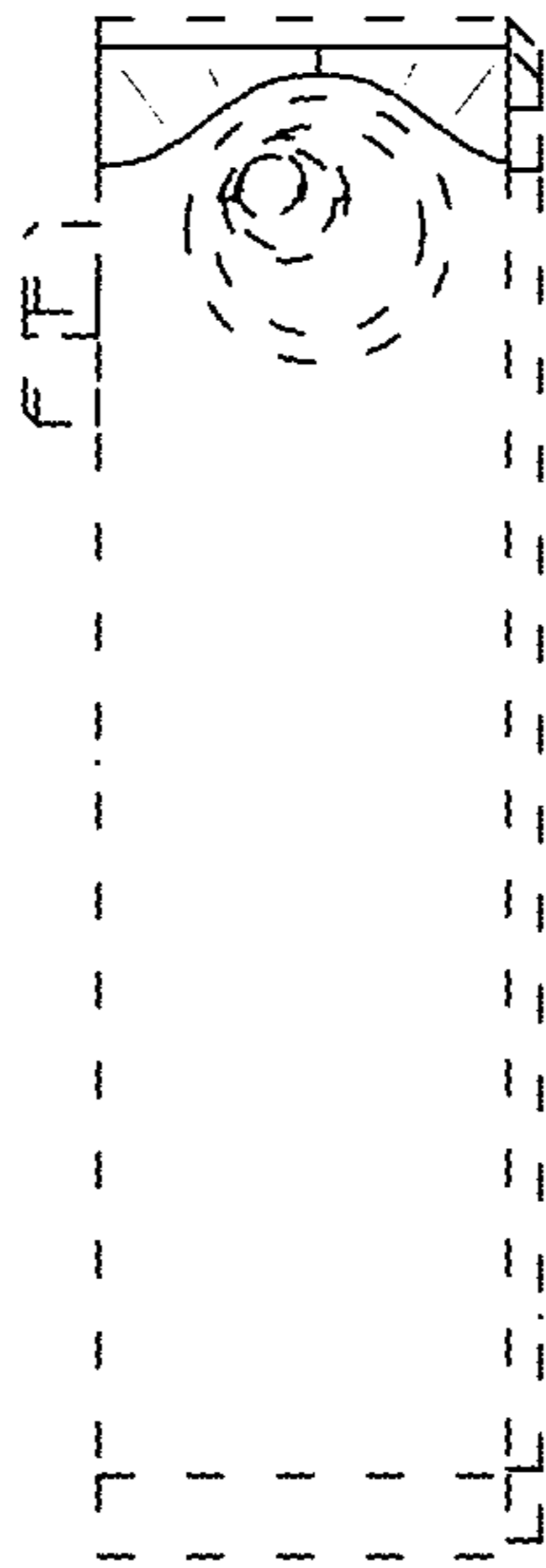


FIG. 3

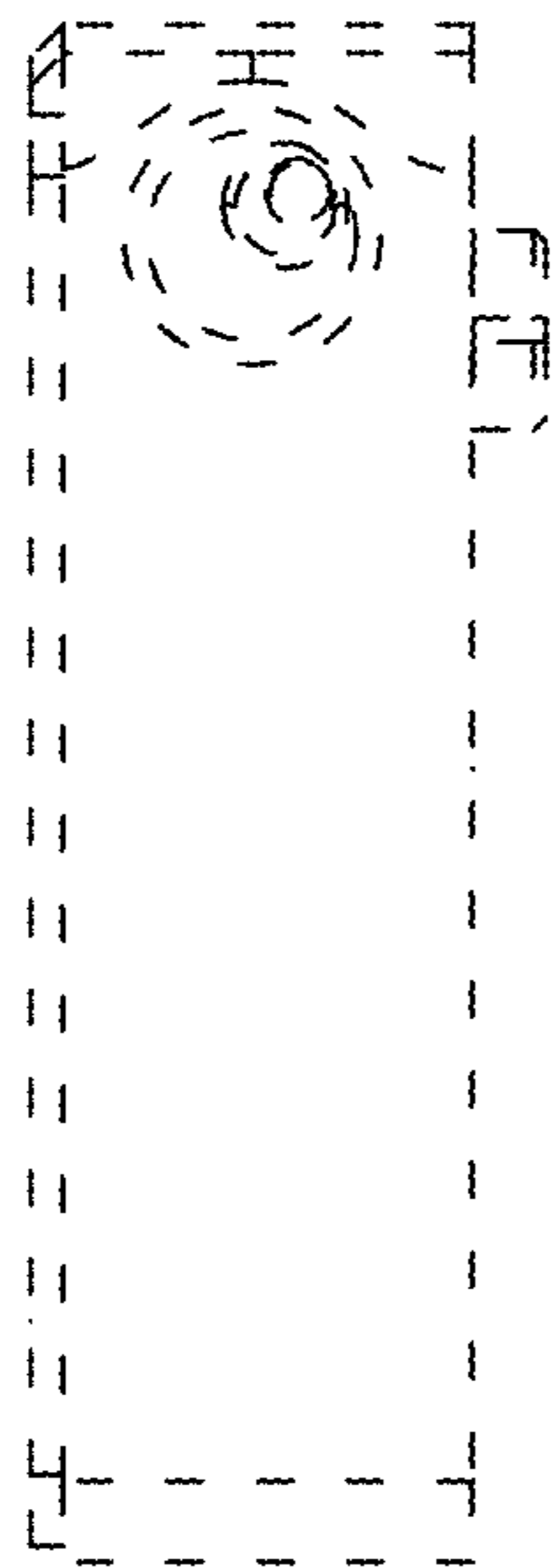


FIG. 4

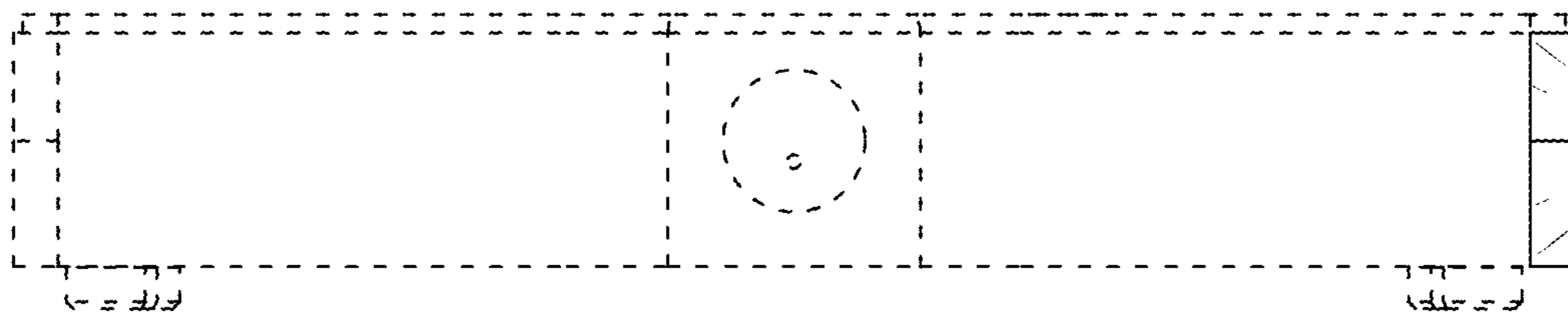


FIG. 5

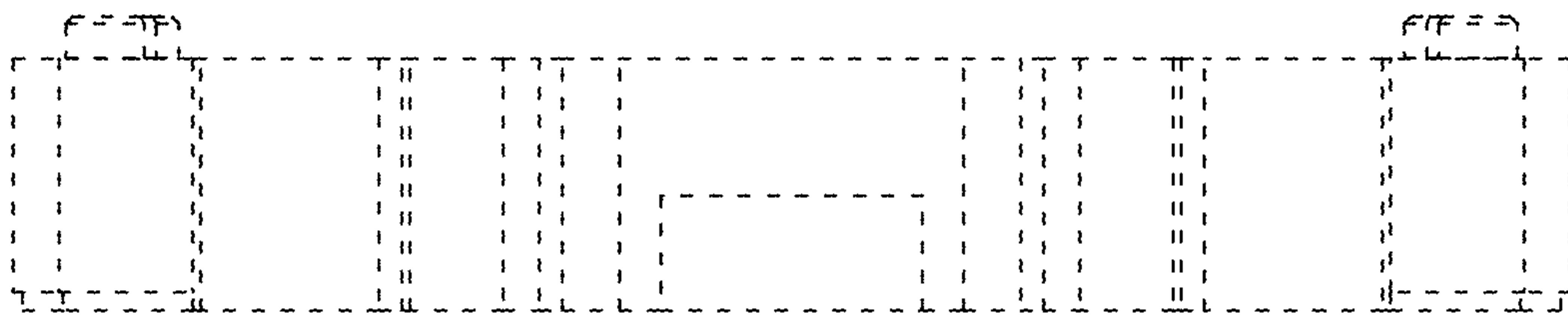


FIG. 6

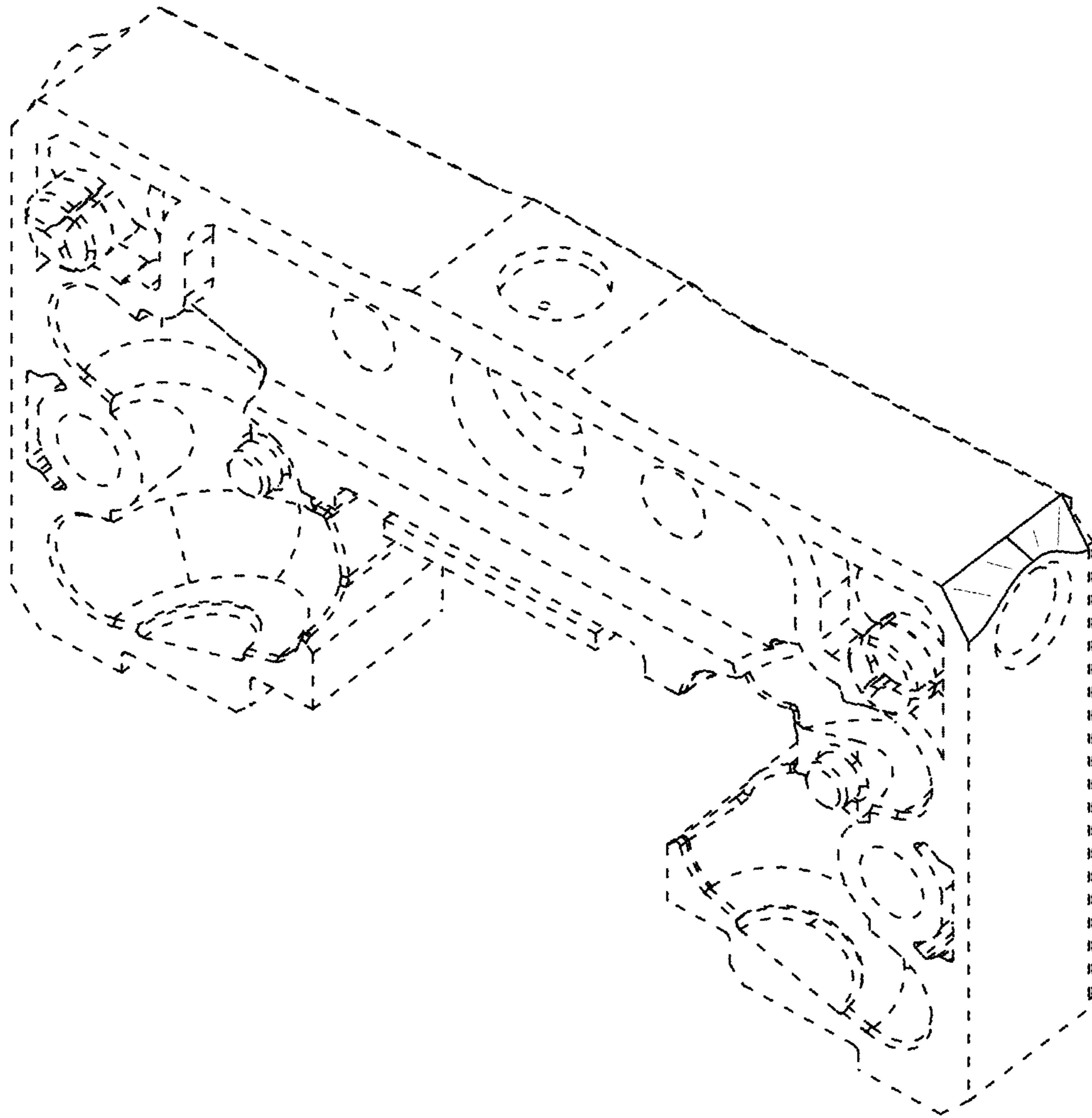


FIG. 7

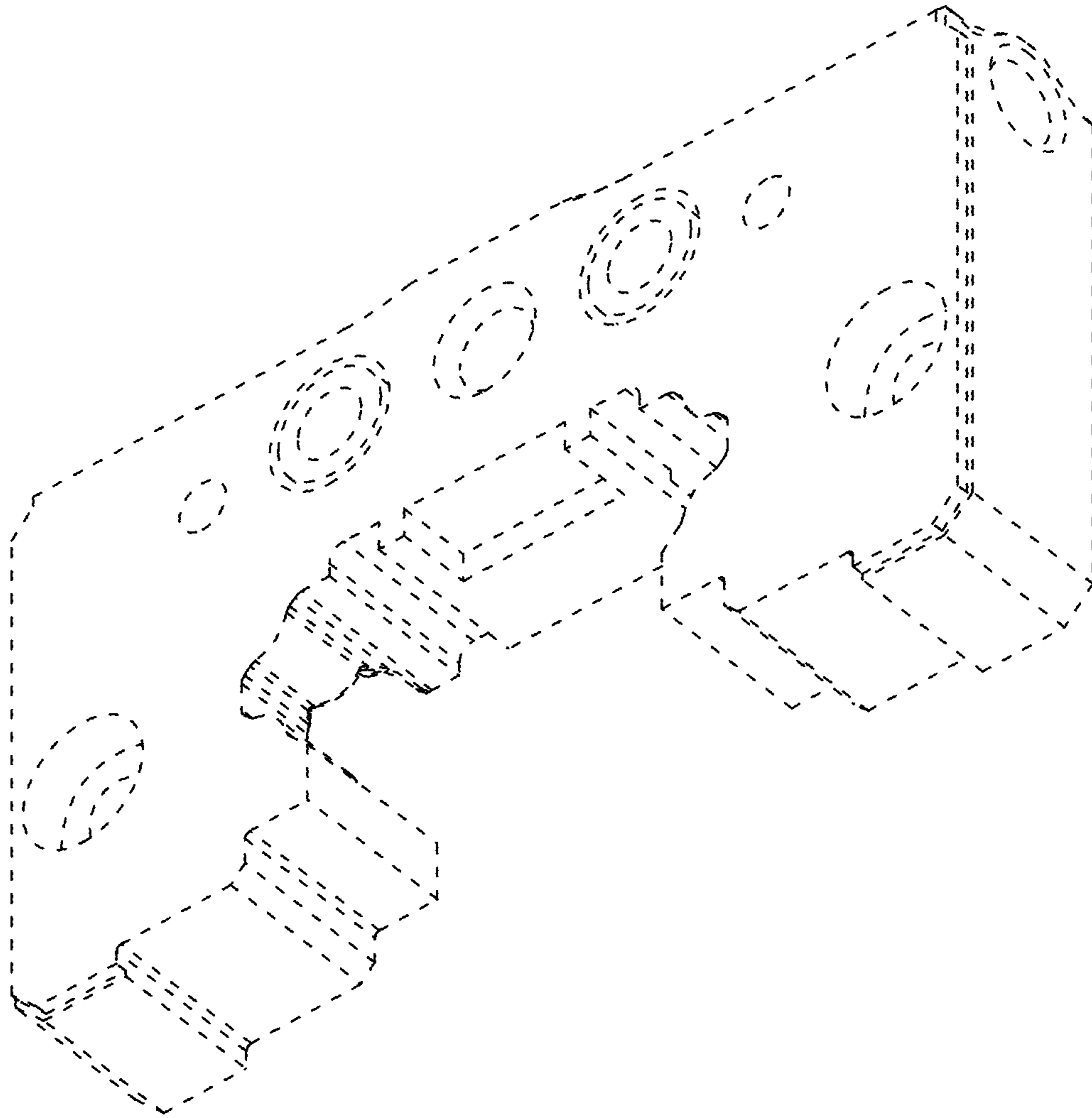


FIG. 8

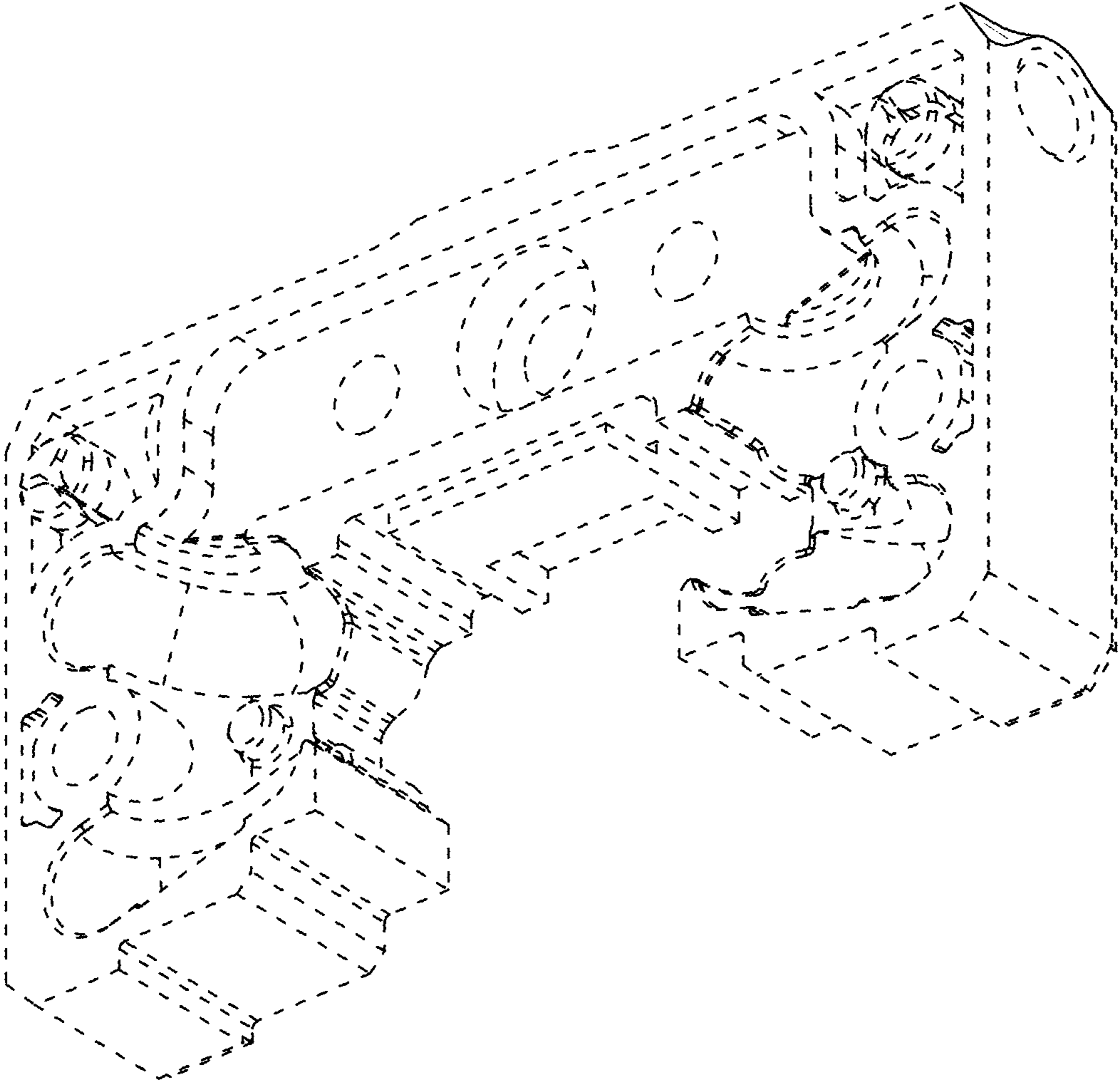


FIG. 9

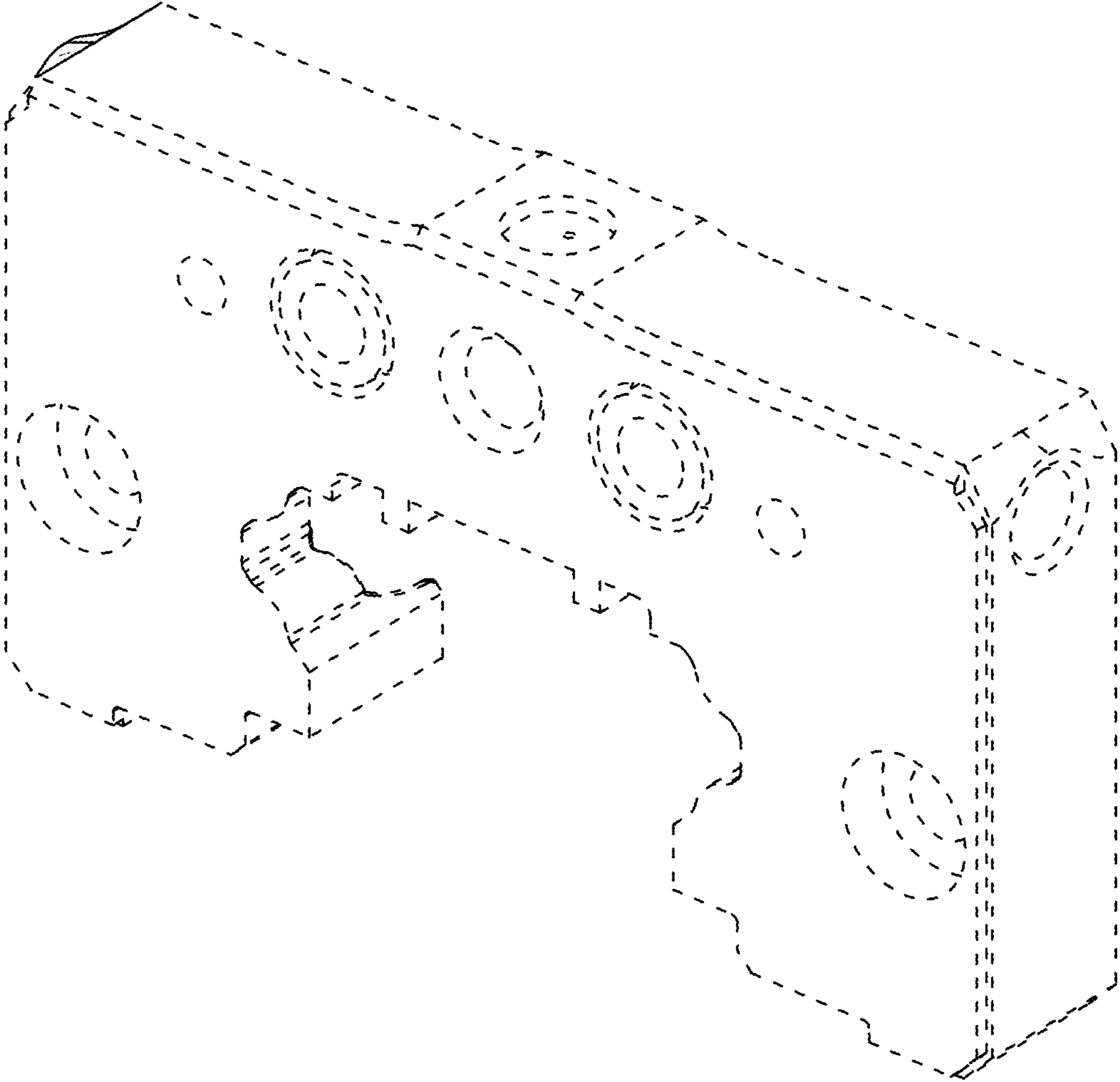


FIG. 10