



US00D916936S

(12) **United States Design Patent**  
**Dittrich**

(10) **Patent No.:** **US D916,936 S**  
(45) **Date of Patent:** **\*\* Apr. 20, 2021**

(54) **SPHERE MOLD**

(71) Applicant: **Spectrum Diversified Designs, LLC**,  
Streetsboro, OH (US)

(72) Inventor: **Megan Dittrich**, Twinsburg, OH (US)

(73) Assignee: **Spectrum Diversified Designs, LLC**,  
Streetsboro, OH (US)

(\*\*) Term: **15 Years**

(21) Appl. No.: **29/705,286**

(22) Filed: **Sep. 11, 2019**

(51) **LOC (13) Cl.** ..... **15-07**

(52) **U.S. Cl.**  
USPC ..... **D15/90**

(58) **Field of Classification Search**  
USPC ..... D7/332, 334, 339, 368, 387, 388, 393,  
D7/402, 404, 405, 406, 672, 688, 697,  
D7/698; D6/300, 546, 549; D8/300,  
D8/315; D12/198; D20/22, 28;  
D24/183, 184; D29/122; D15/90  
CPC .. A47J 36/00; A47J 37/00; A47J 37/06; A47J  
43/00; A47J 43/20; A47J 47/00; A21C  
11/004; A21C 11/006; A21C 11/008;  
A23G 9/083; A23G 9/221; F25C 1/243  
See application file for complete search history.

(56) **References Cited**

**U.S. PATENT DOCUMENTS**

D731,264 S 6/2015 Frank et al.  
D877,213 S \* 3/2020 Lord ..... D15/90  
10,697,686 B2 \* 6/2020 Braidotti Cavalari .. F25C 1/243  
2015/0021458 A1 \* 1/2015 Zorovich ..... B29C 33/0038  
249/134  
2019/0041114 A1 \* 2/2019 Braidotti Cavalari .. F25C 1/243

**OTHER PUBLICATIONS**

Tovolo Sphere Ice Molds, first available Feb. 16, 2012, Amazon,  
[online], [site visited Jan. 4, 2021], Available from internet URL:

<https://www.amazon.com/Tovolo-Leak-Free-Sphere-Molds-Silicone/dp/B007ACTN54> (Year: 2012).\*  
Tovolo Set of 3 Leak Free Golf Ball Ice Novelty Drink Molds, first available Apr. 28, 2020, Amazon, [online], [site visited Jan. 4, 2021], Available from internet URL: [https://www.amazon.com/dp/B087H7DHZR/ref=emc\\_b\\_5\\_i](https://www.amazon.com/dp/B087H7DHZR/ref=emc_b_5_i) (Year: 2020).\*  
Design No. 306201261, Dec. 1, 2020—China National Intellectual Property Administration (CNIPA) Publication Date—Dec. 1, 2020 Owner—Qiu Xiongfeng WIPO, available at <https://www3.wipo.int/designdb/en/index.jsp> (Year: 2020).\*  
Sphere Ice Molds—Set of 2, Tovolo website, [https://www.tovolo.com/product/sphere-ice-molds\\_set-of-2-2/2](https://www.tovolo.com/product/sphere-ice-molds_set-of-2-2/2), dated Aug. 19, 2019, 1 page.

\* cited by examiner

*Primary Examiner* — Mary Ann Calabrese  
*Assistant Examiner* — Natalya M Rapundalo  
(74) *Attorney, Agent, or Firm* — Tucker Ellis LLP

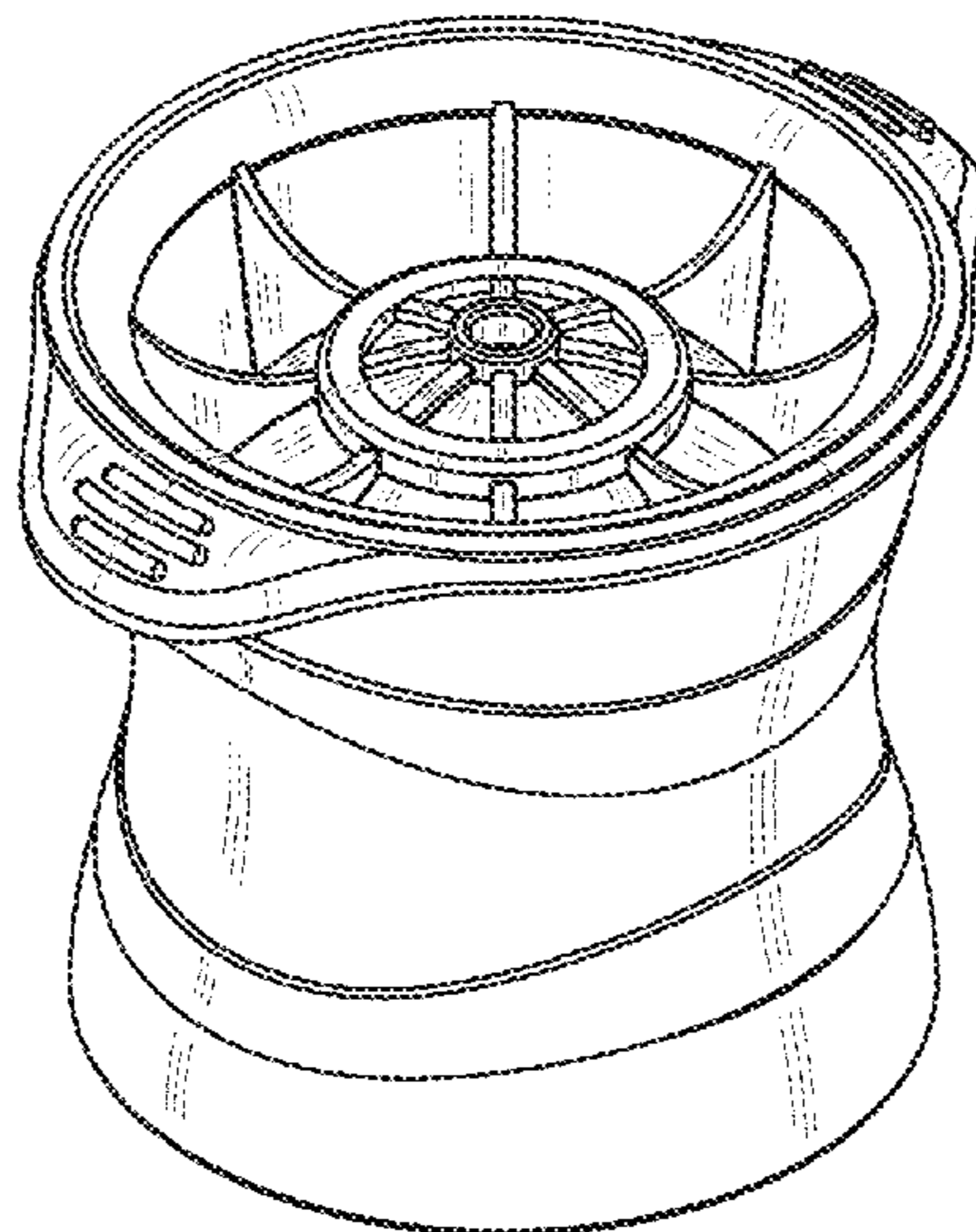
(57) **CLAIM**

The ornamental design for a sphere mold, as shown and described.

**DESCRIPTION**

FIG. 1 is a perspective view of a sphere mold showing my new design.  
FIG. 2 is a front view thereof, a rear view being a mirror image.  
FIG. 3 is a left side view thereof, a right side view being a mirror image.  
FIG. 4 is a top view thereof.  
FIG. 5 is a bottom view thereof.  
FIG. 6 is a top perspective exploded view showing a top portion and a bottom portion of the sphere mold.  
FIG. 7 is a bottom perspective exploded view thereof.  
FIG. 8 is a cross-sectional view taken along line 8-8 in FIG. 2  
FIG. 9 is a top view of the bottom portion; and,  
FIG. 10 is a bottom view of the top portion.

**1 Claim, 8 Drawing Sheets**



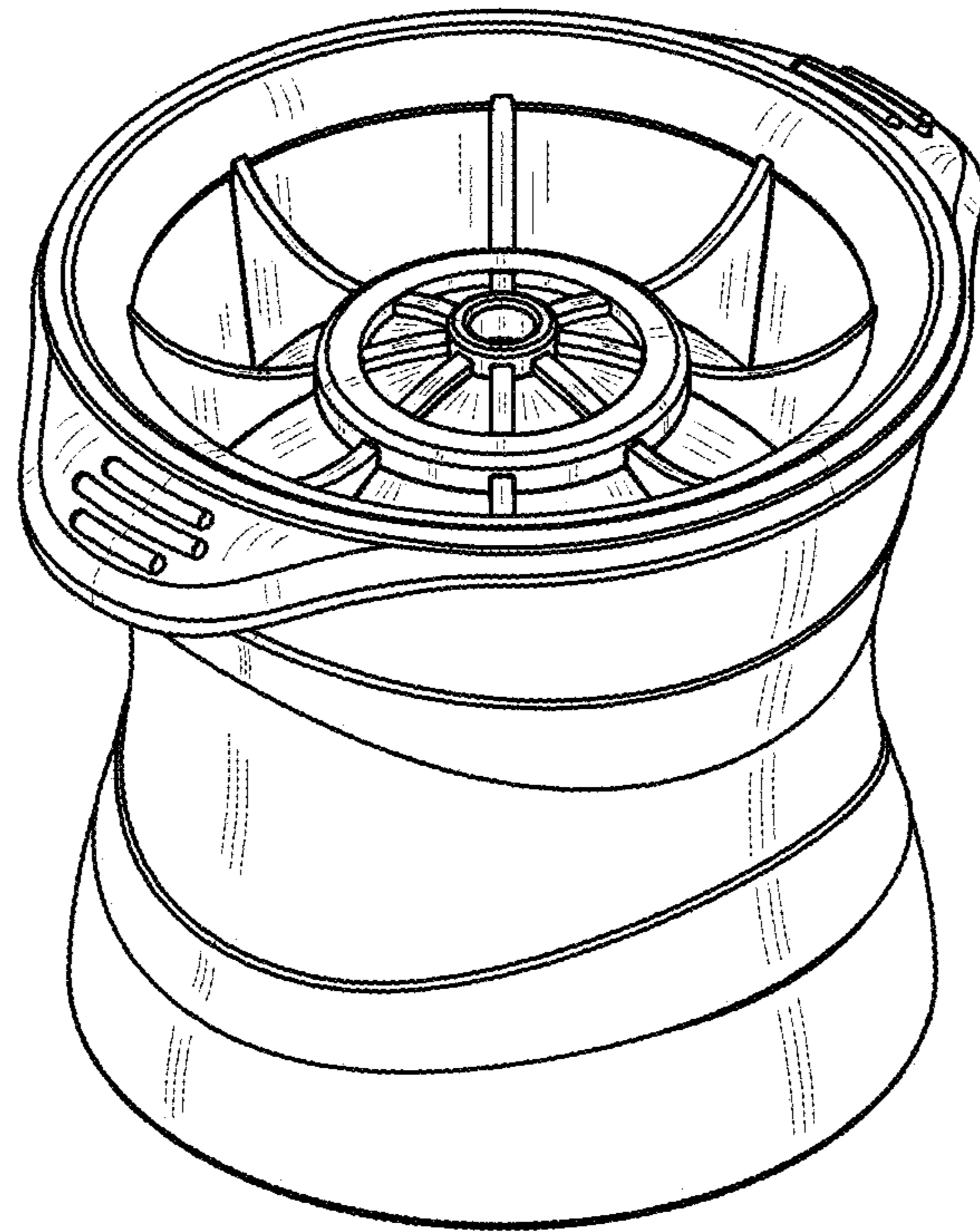


FIG. 1

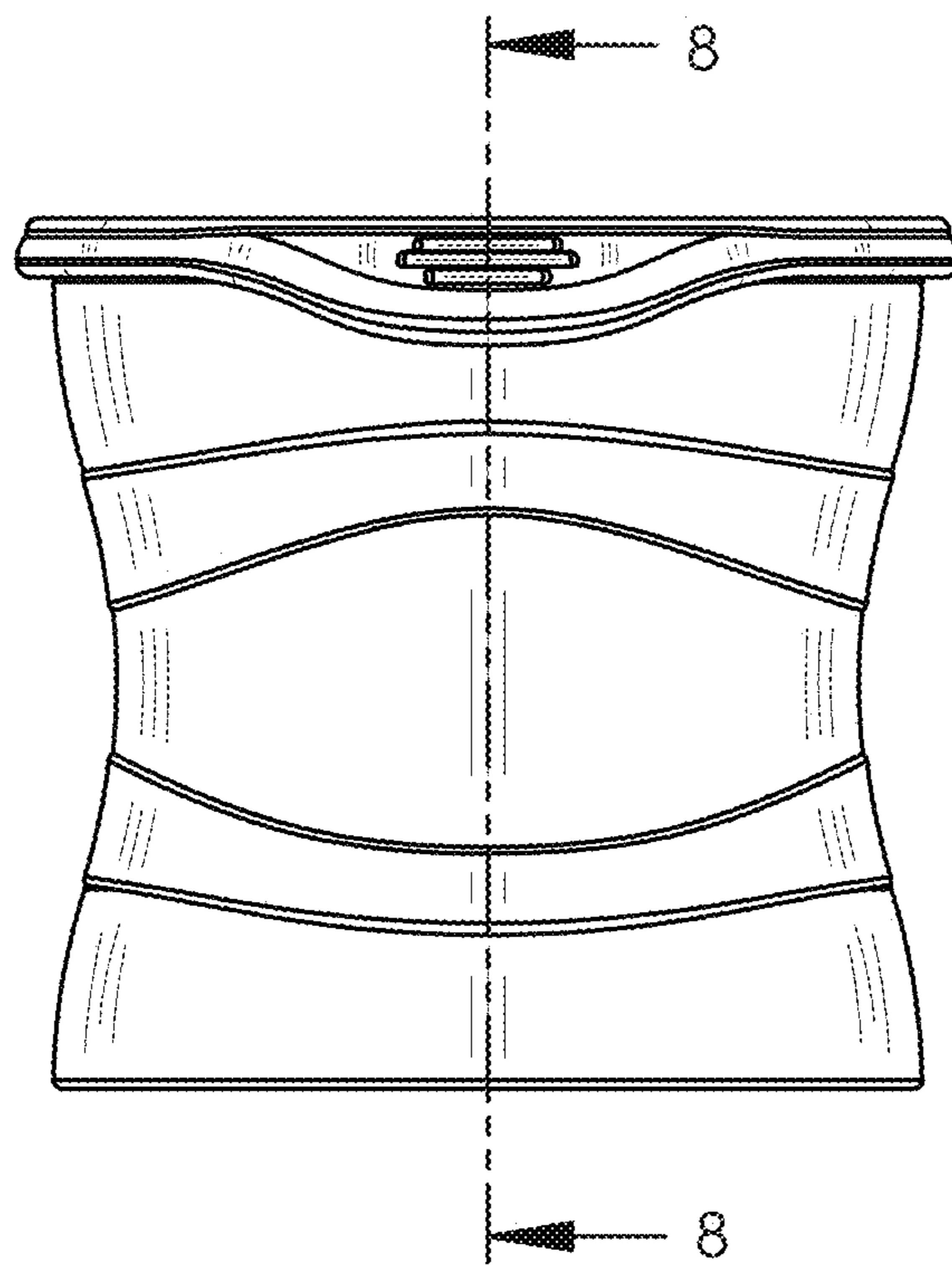


FIG. 2

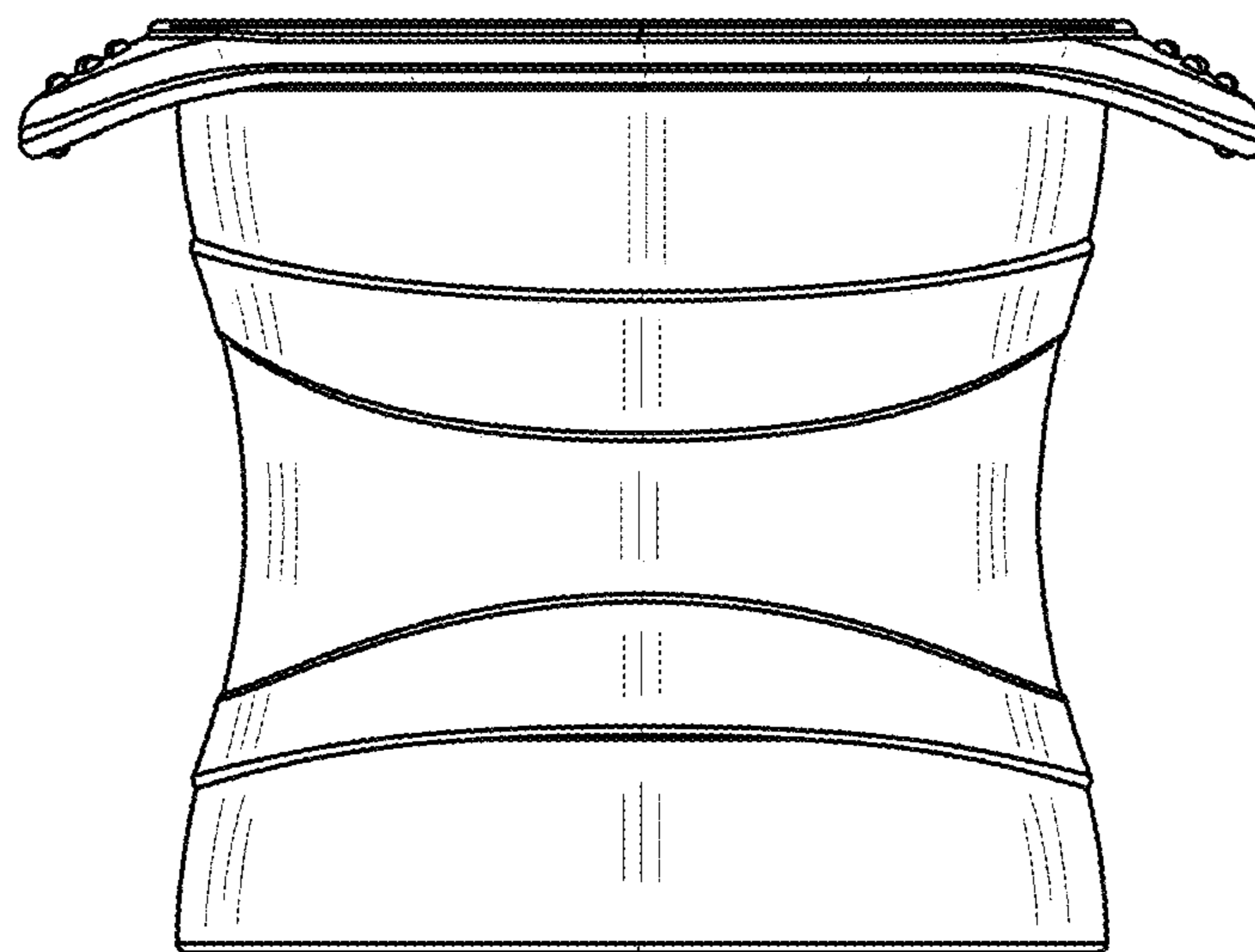


FIG. 3

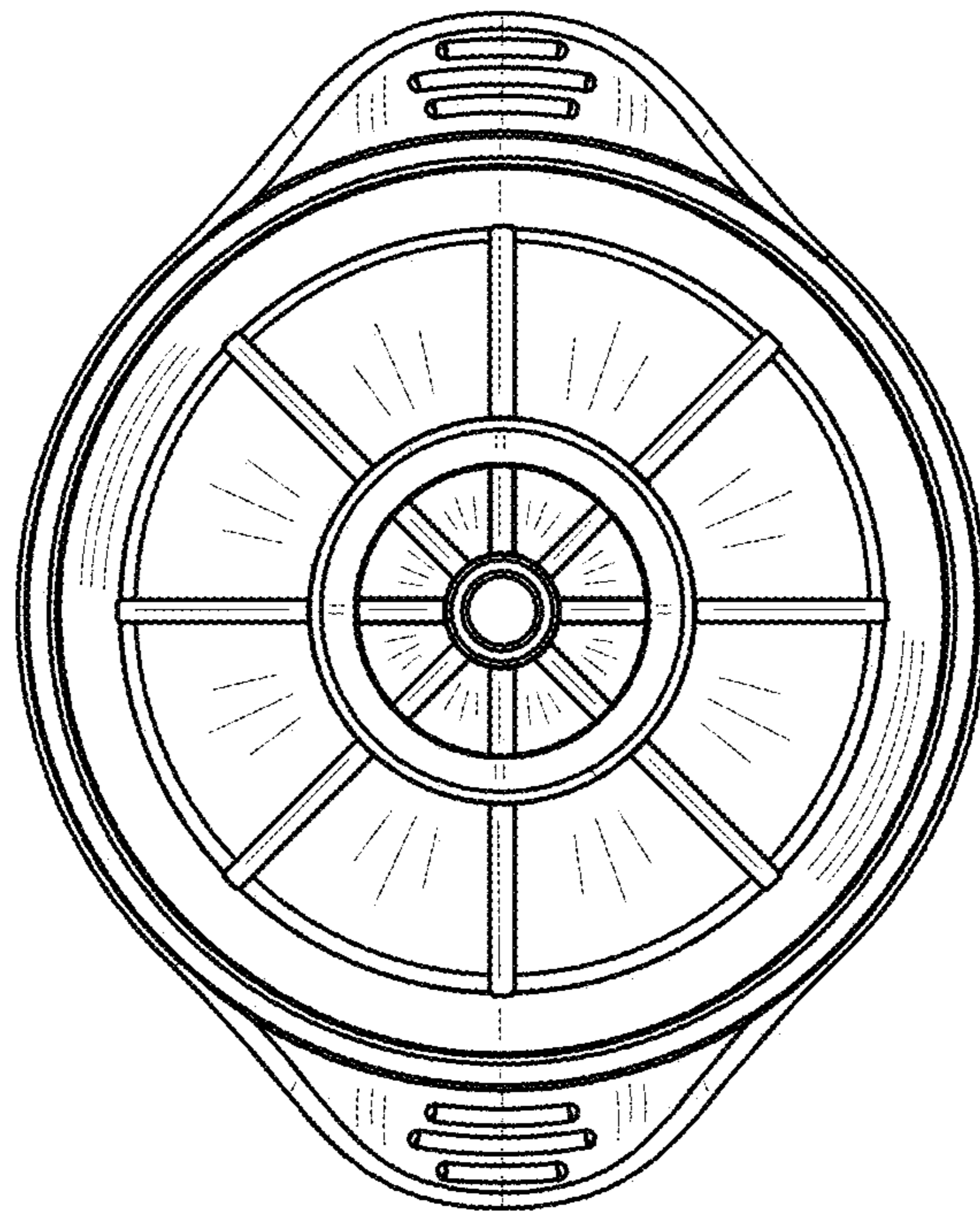


FIG. 4

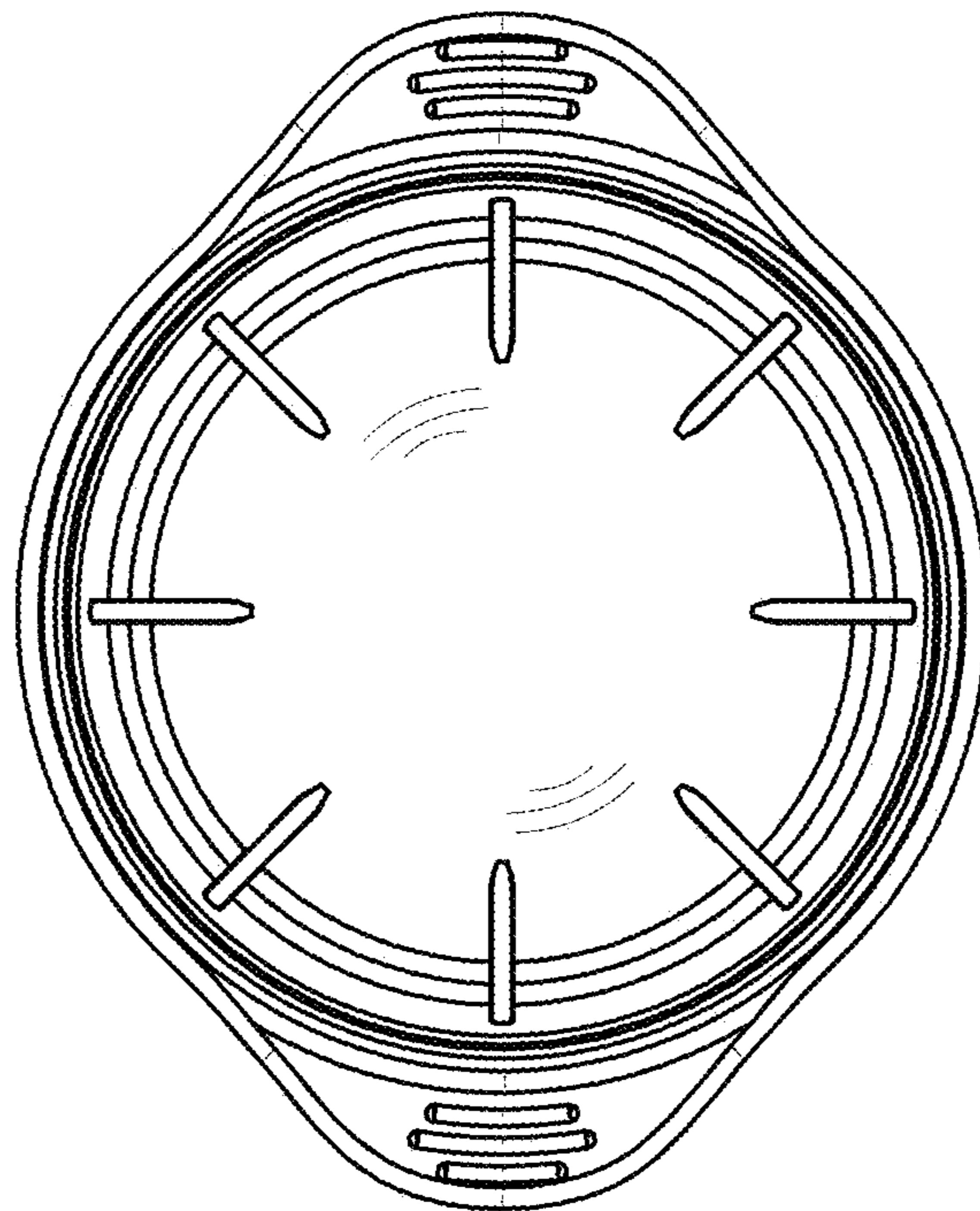


FIG. 5

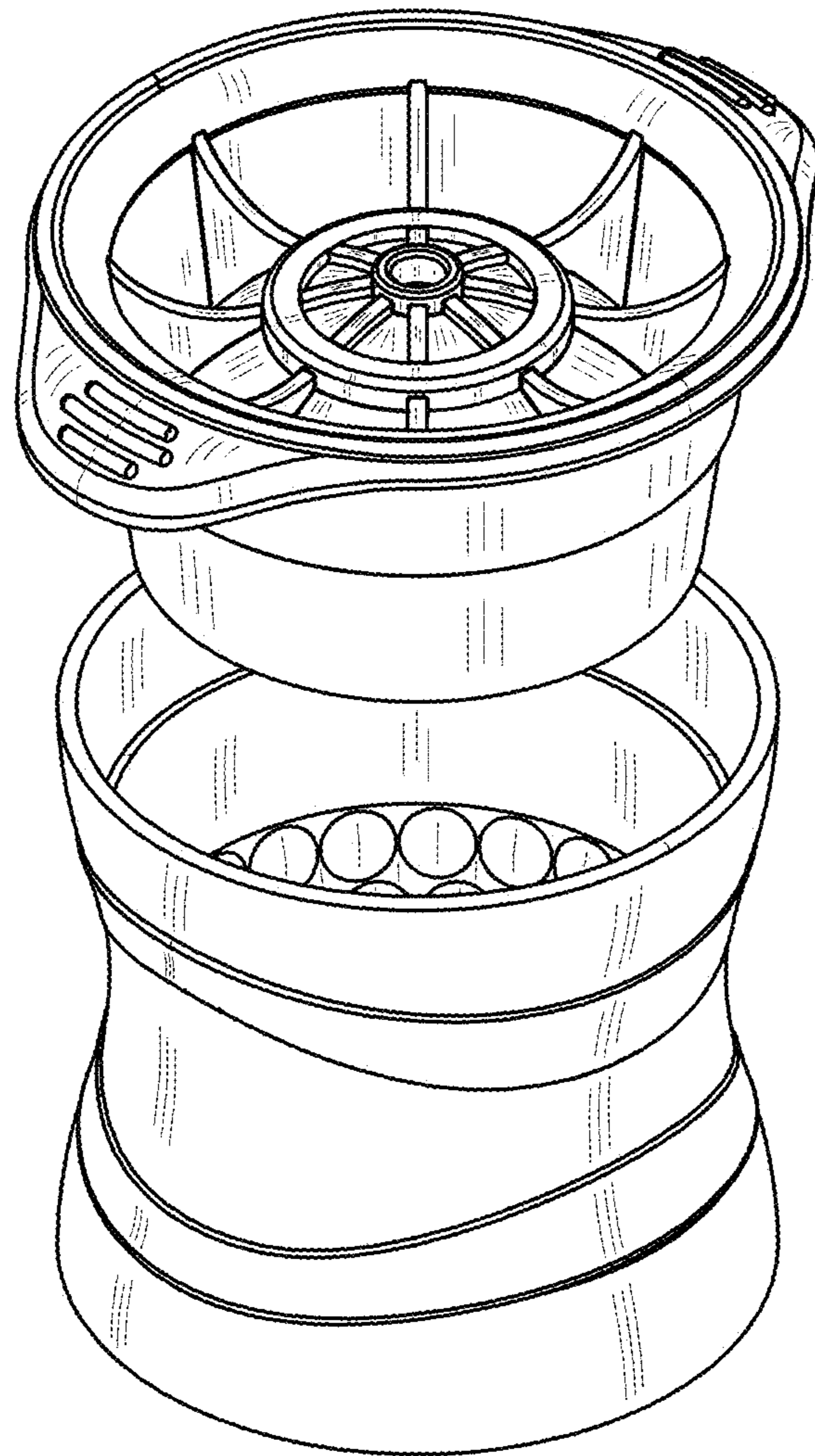


FIG. 6

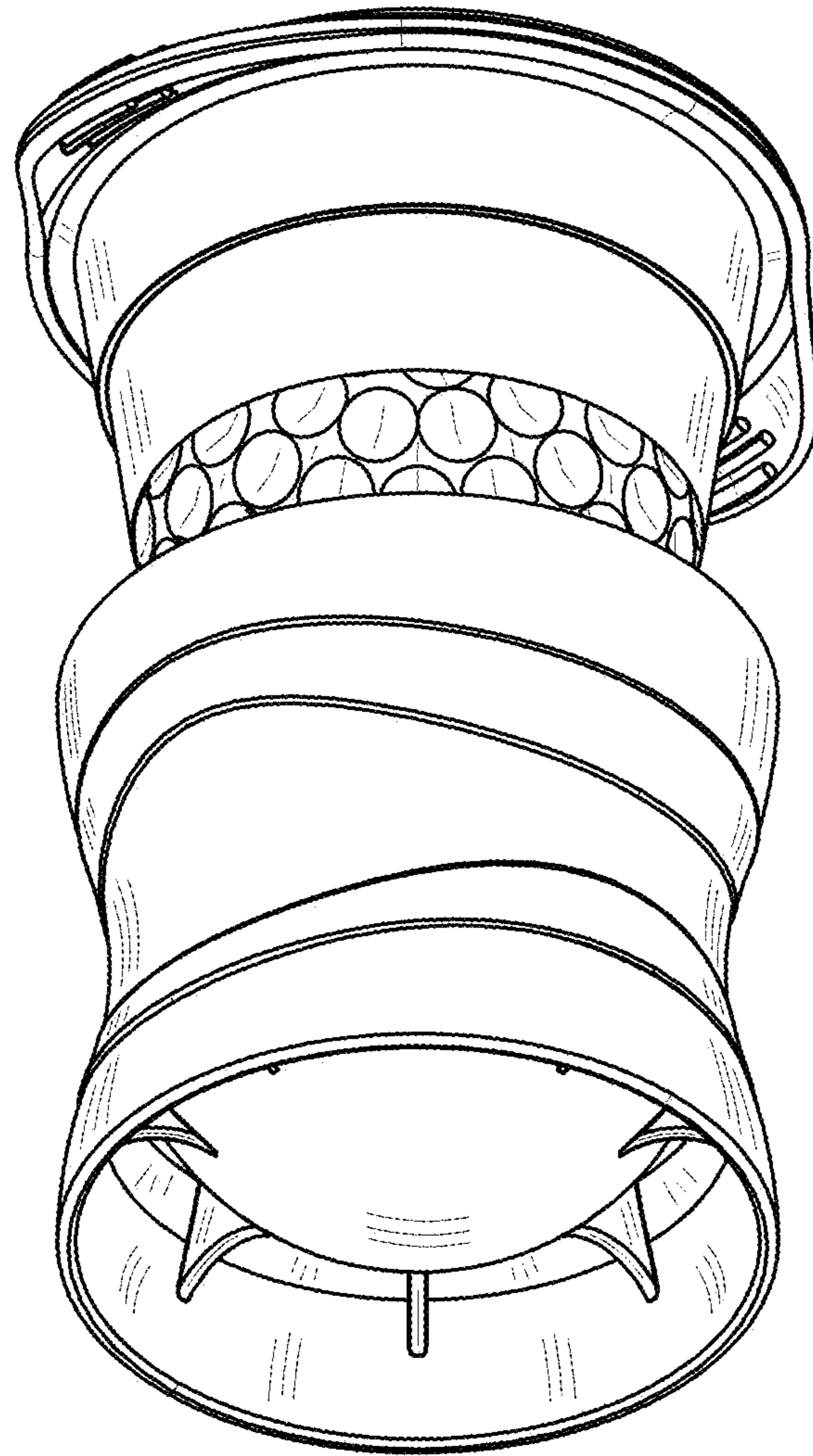


FIG. 7

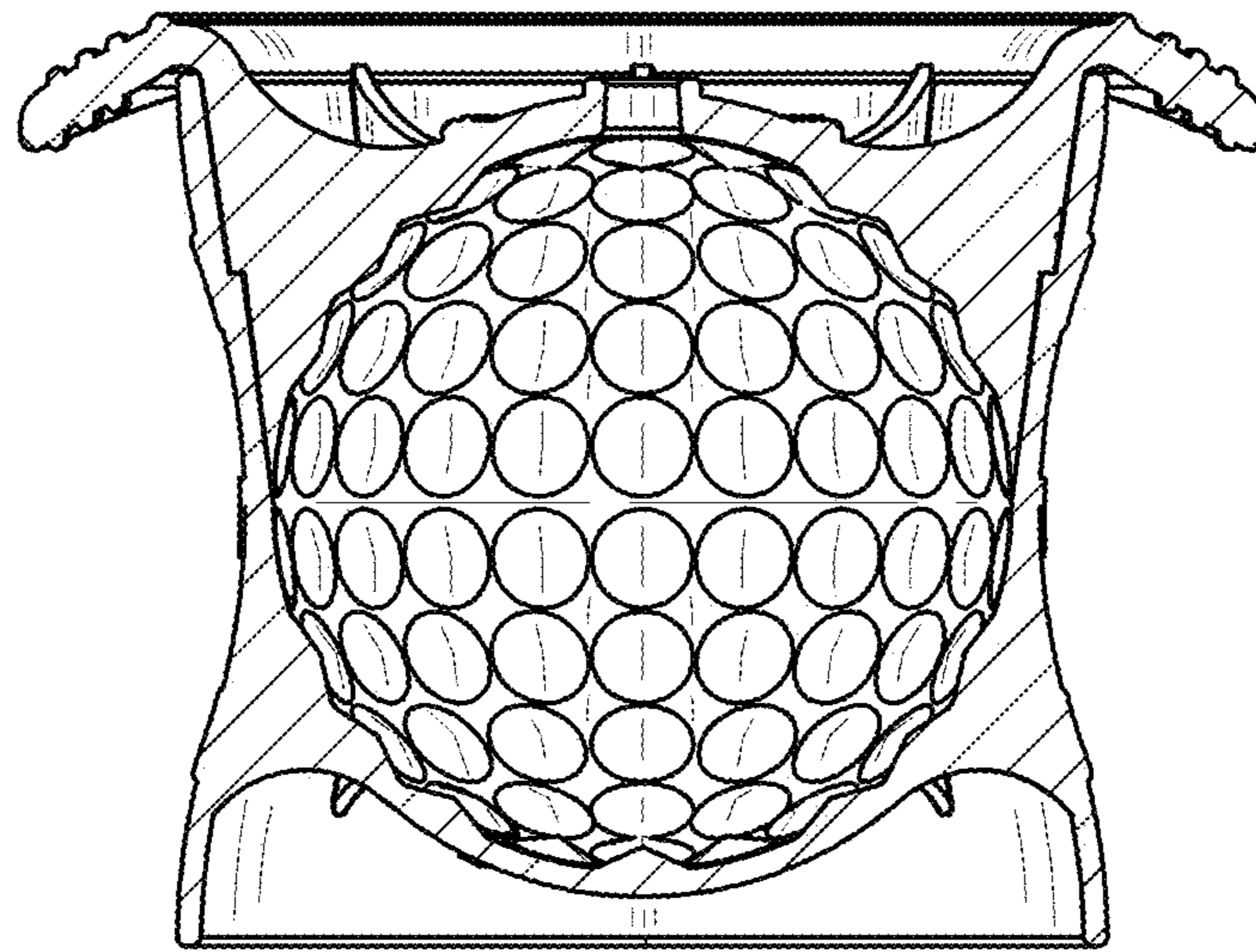


FIG. 8



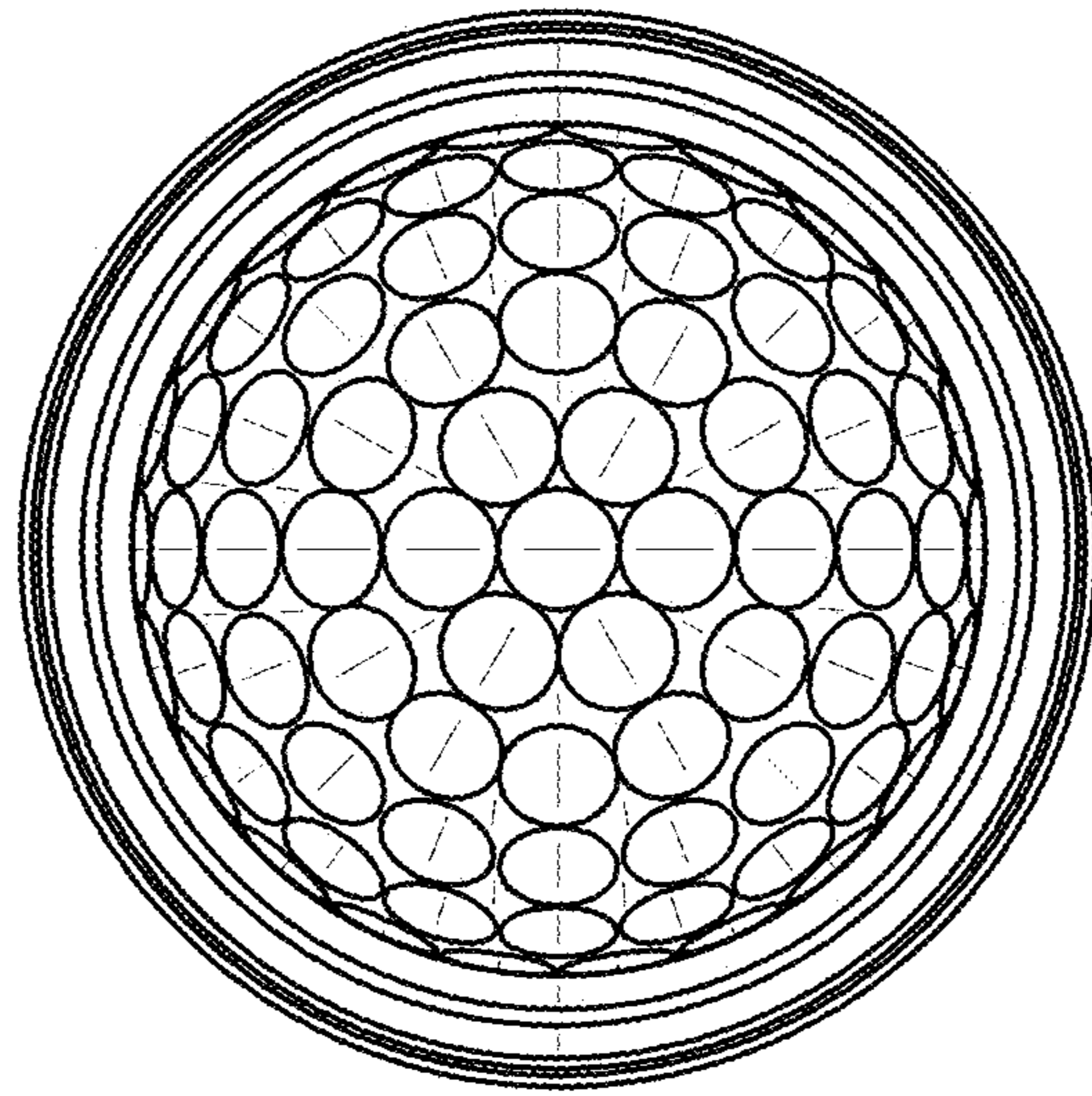


FIG. 9

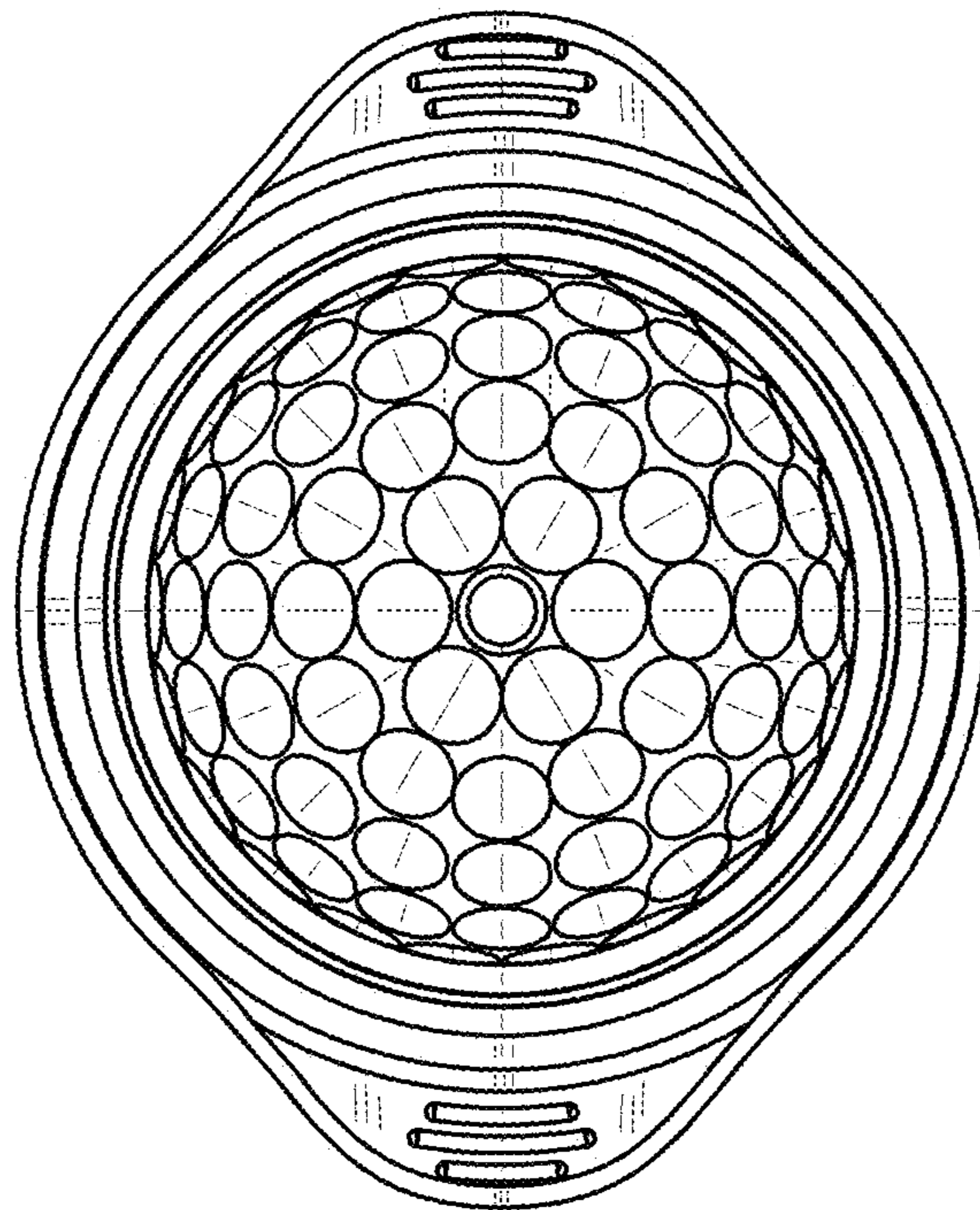


FIG. 10