



US00D916935S

(12) **United States Design Patent** (10) **Patent No.:** **US D916,935 S**
Penmetsa et al. (45) **Date of Patent:** **** Apr. 20, 2021**

(54) **TRACTOR FRONT CARGO BED**
(71) Applicant: **Zimeno, Inc.**, Fremont, CA (US)
(72) Inventors: **Praveen V. Penmetsa**, Newark, CA (US); **Daniel J. Sims**, Lake Forest, CA (US); **Michael A. Desmond**, Somis, CA (US); **Zachary M. Omohundro**, Carson, CA (US)

D720,371 S * 12/2014 Furukawa D15/31
D733,767 S * 7/2015 Kushita D15/31
D753,194 S * 4/2016 Jackson D15/31
D753,195 S * 4/2016 Jackson D15/31
D757,826 S * 5/2016 Hartz D15/31
D759,129 S * 6/2016 Kushita D15/31
D760,815 S * 7/2016 Okuyama D15/31
D765,740 S * 9/2016 Jackson D15/31

(Continued)

(73) Assignee: **Zimeno, Inc.**, Fremont, CA (US)
(**) Term: **15 Years**

FOREIGN PATENT DOCUMENTS

WO WO2012154990 11/2012
WO WO2014033467 3/2014

(21) Appl. No.: **29/727,230**
(22) Filed: **Mar. 9, 2020**
(51) **LOC (13) Cl.** **15-03**
(52) **U.S. Cl.**
USPC **D15/31**
(58) **Field of Classification Search**
USPC D15/10, 11, 13-17, 28, 22-26, 30, 31;
D12/173; 56/13.3, 13.4, 15.8, 15.9,
56/320.1; 180/89.1, 89.12, 900, 69.2,
180/68.1, 69.1
CPC B62D 49/00-085; B62D 25/10;
B62D 25/00; B60R 19/52; B60R 21/38
See application file for complete search history.

OTHER PUBLICATIONS

International Search Report for PCT/US15/21339 dated Aug. 20, 2015.

Primary Examiner — Mark A Goodwin
(74) *Attorney, Agent, or Firm* — Rathe Lindenbaum LLP

(56) **References Cited**
U.S. PATENT DOCUMENTS

D557,714 S * 12/2007 Higashikawa D15/31
D558,799 S * 1/2008 Higashikawa D15/31
D570,382 S * 6/2008 Higashikawa D15/31
D574,022 S * 7/2008 Higashikawa D15/31
D591,777 S * 5/2009 Kokitkar D15/31
D631,489 S * 1/2011 Booth D15/31
8,115,334 B2 2/2012 Vyas et al.
D675,233 S * 1/2013 Kushita D15/31
D706,841 S * 6/2014 Shimomura D15/31
D707,729 S * 6/2014 Jackson D15/31
D714,838 S * 10/2014 Shimomura D15/31
D716,846 S * 11/2014 Carter D15/31

(57) **CLAIM**

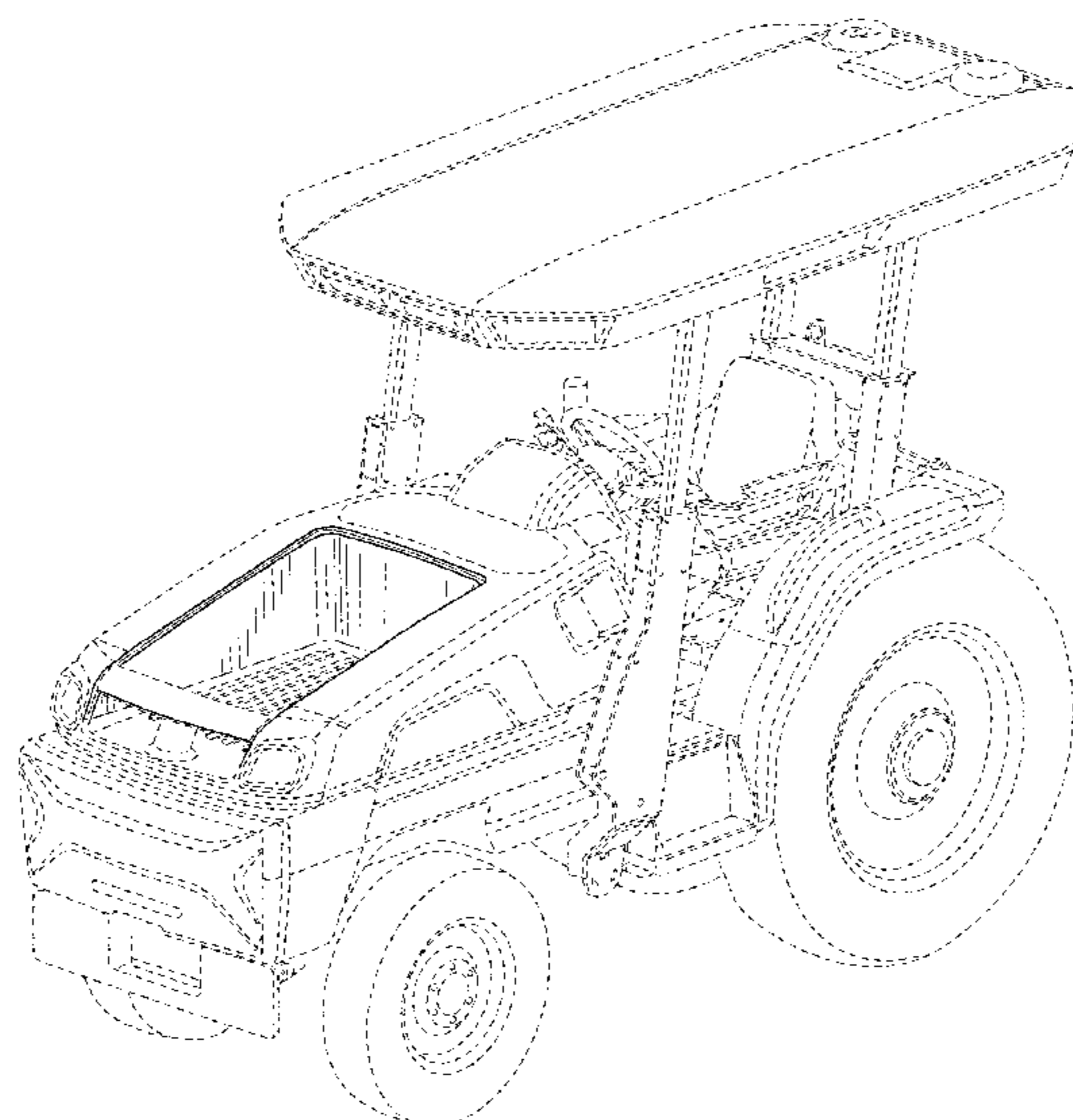
We claim the ornamental design for a tractor front cargo bed, as shown and described.

DESCRIPTION

FIG. 1 is a front perspective view of a tractor front cargo bed;
FIG. 2 is a rear perspective view thereof;
FIG. 3 is a right side view thereof;
FIG. 4 is a left side view thereof;
FIG. 5 is a front view thereof;
FIG. 6 right side rear view thereof;
FIG. 7 is a top view thereof; and,
FIG. 8 is a bottom view thereof.

The ornamental design which is claimed is shown in solid lines in the drawings. The dashed broken lines in the drawings illustrate environmental structure and form no part of the claimed design.

1 Claim, 8 Drawing Sheets



(56)

References Cited

U.S. PATENT DOCUMENTS

D766,340	S	*	9/2016	Jackson	D15/31
D766,341	S	*	9/2016	Jacobsthal	D15/31
D768,210	S	*	10/2016	Jacobsthal	D15/31
D777,220	S	*	1/2017	Powell	D15/31
D778,963	S	*	2/2017	Yang	D15/31
D785,681	S	*	5/2017	Okuyama	D15/31
D804,539	S	*	12/2017	Okuyama	D15/31
D837,837	S	*	1/2019	Park	D15/31
D843,421	S	*	3/2019	Gonzales	D15/31
D854,056	S	*	7/2019	Futagami	D15/31
2006/0145536	A1		7/2006	Hackl et al.		
2014/0021779	A1		1/2014	Teichmann		
2014/0368170	A1		12/2014	Tang et al.		
2014/0375272	A1		12/2014	Johnsen et al.		
2015/0162784	A1		6/2015	Kydd		
2015/0266382	A1		9/2015	Penmetsa et al.		

* cited by examiner

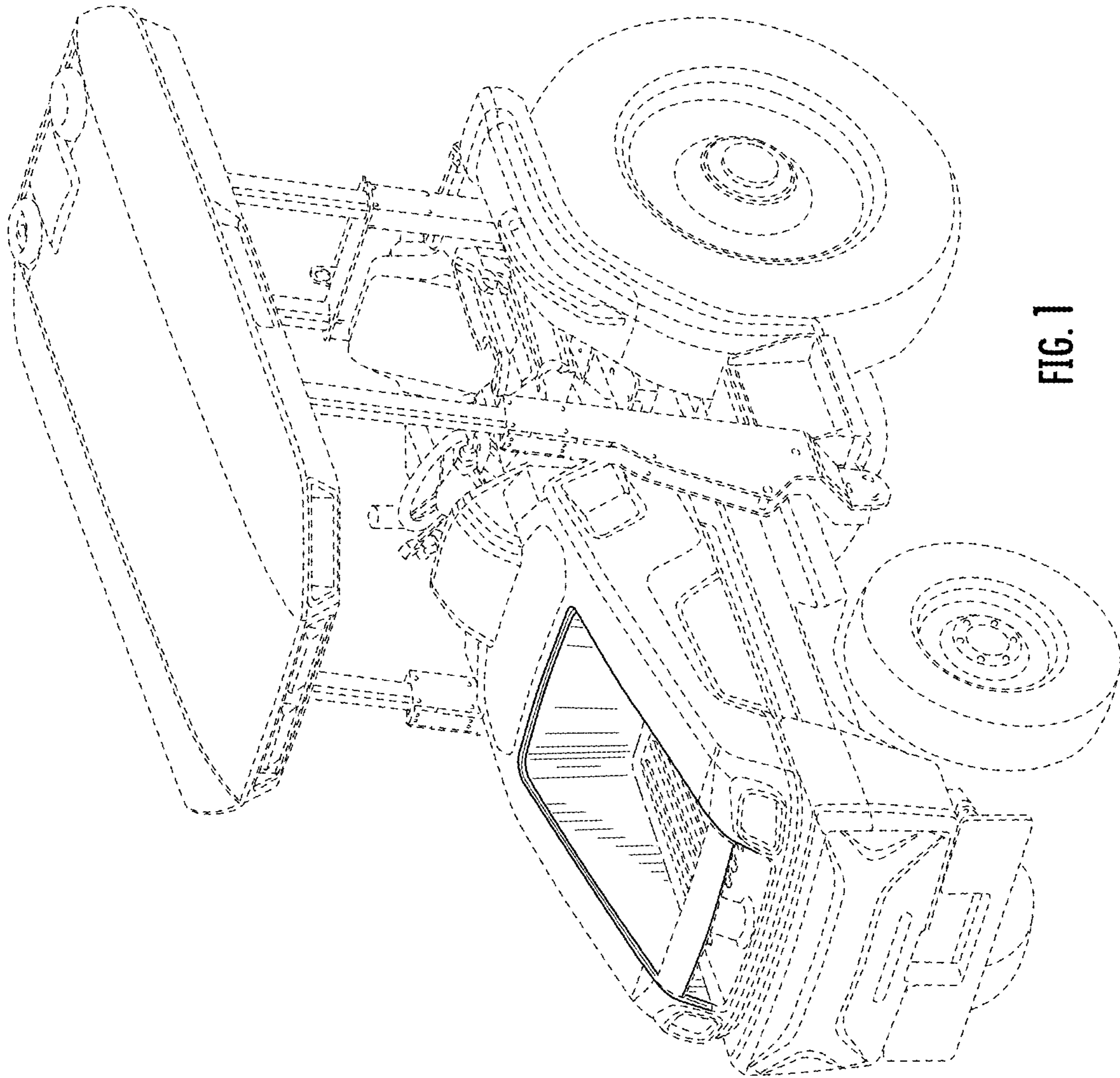


FIG. 1

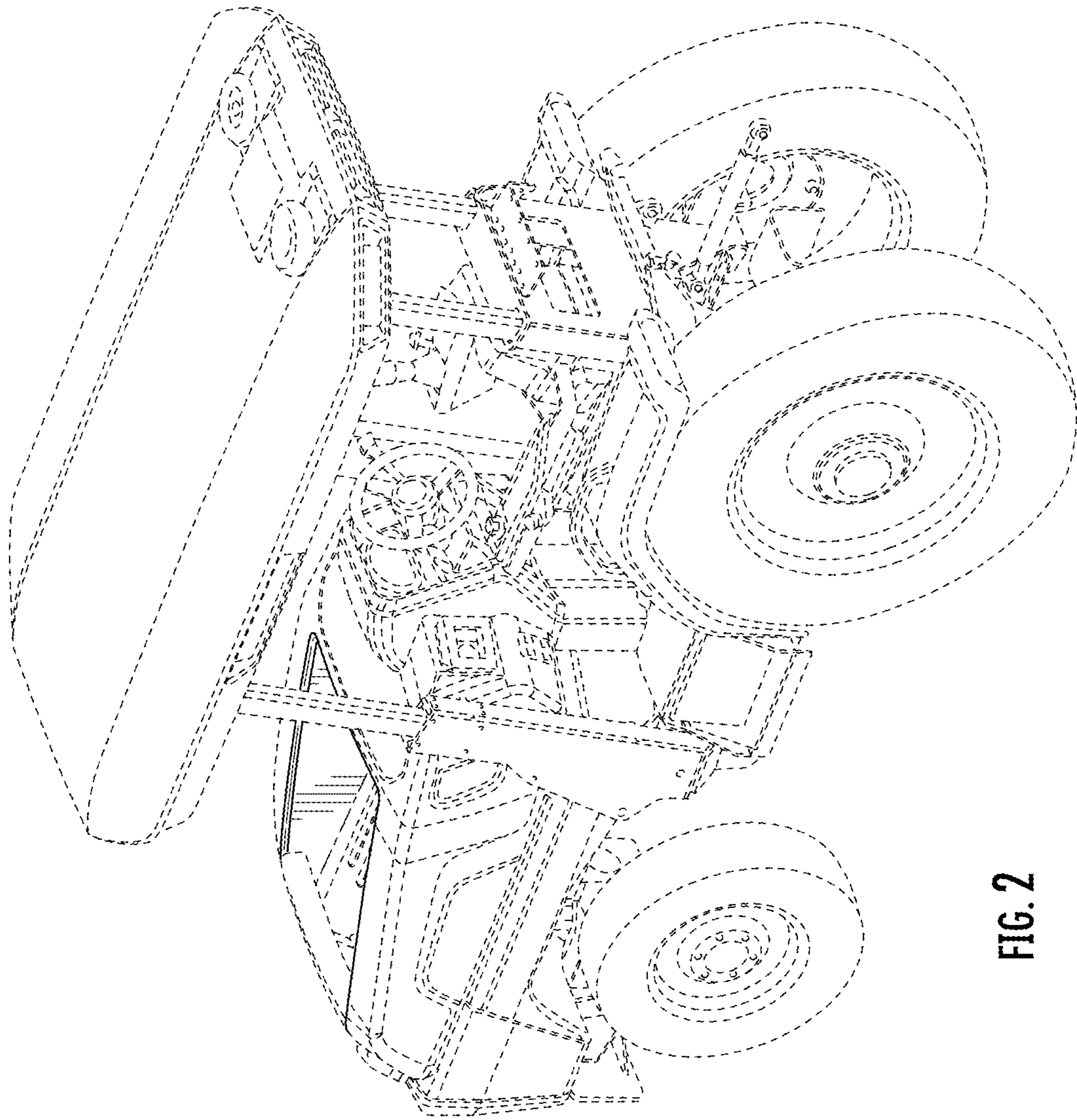


FIG. 2

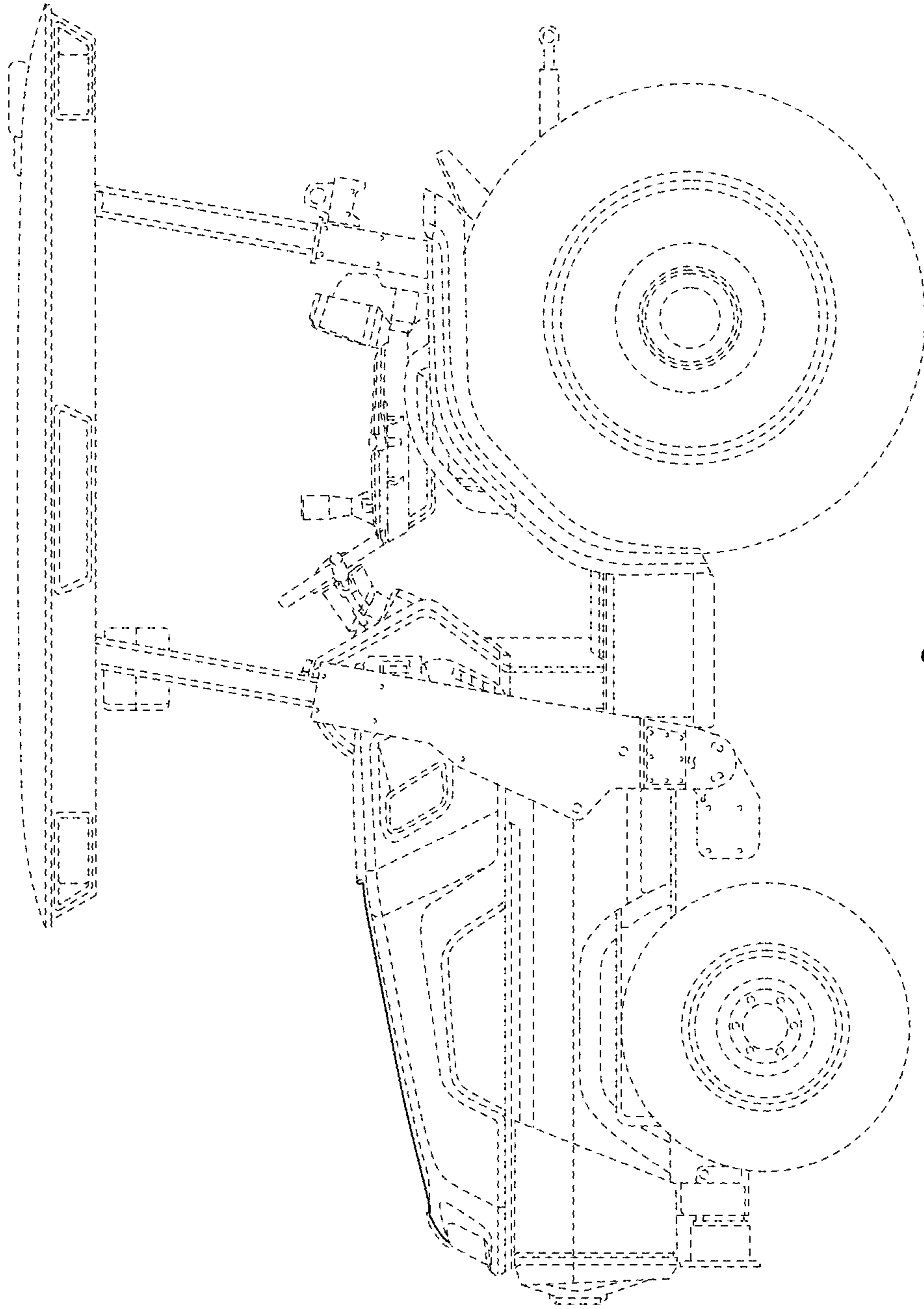


FIG. 3

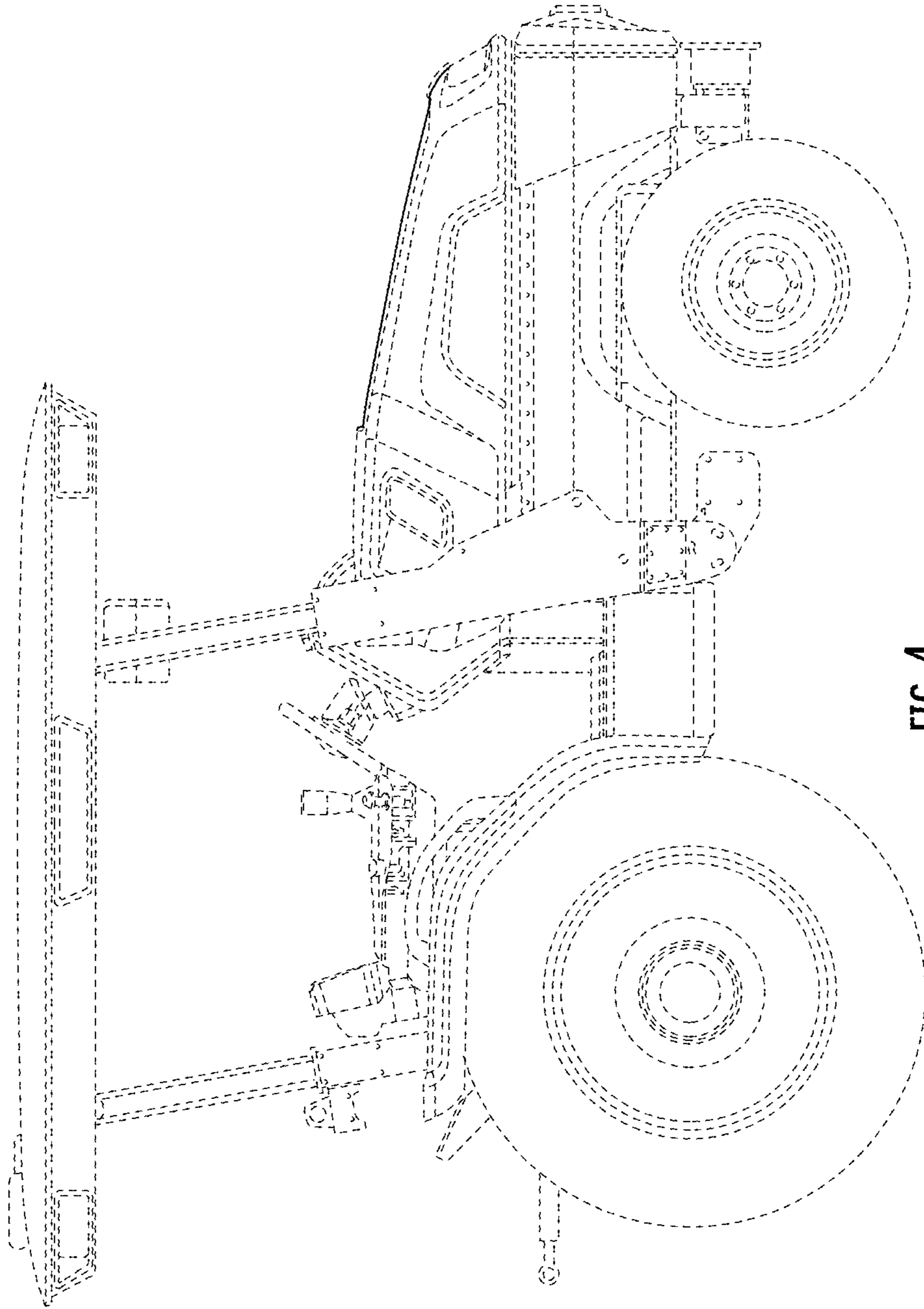


FIG. 4

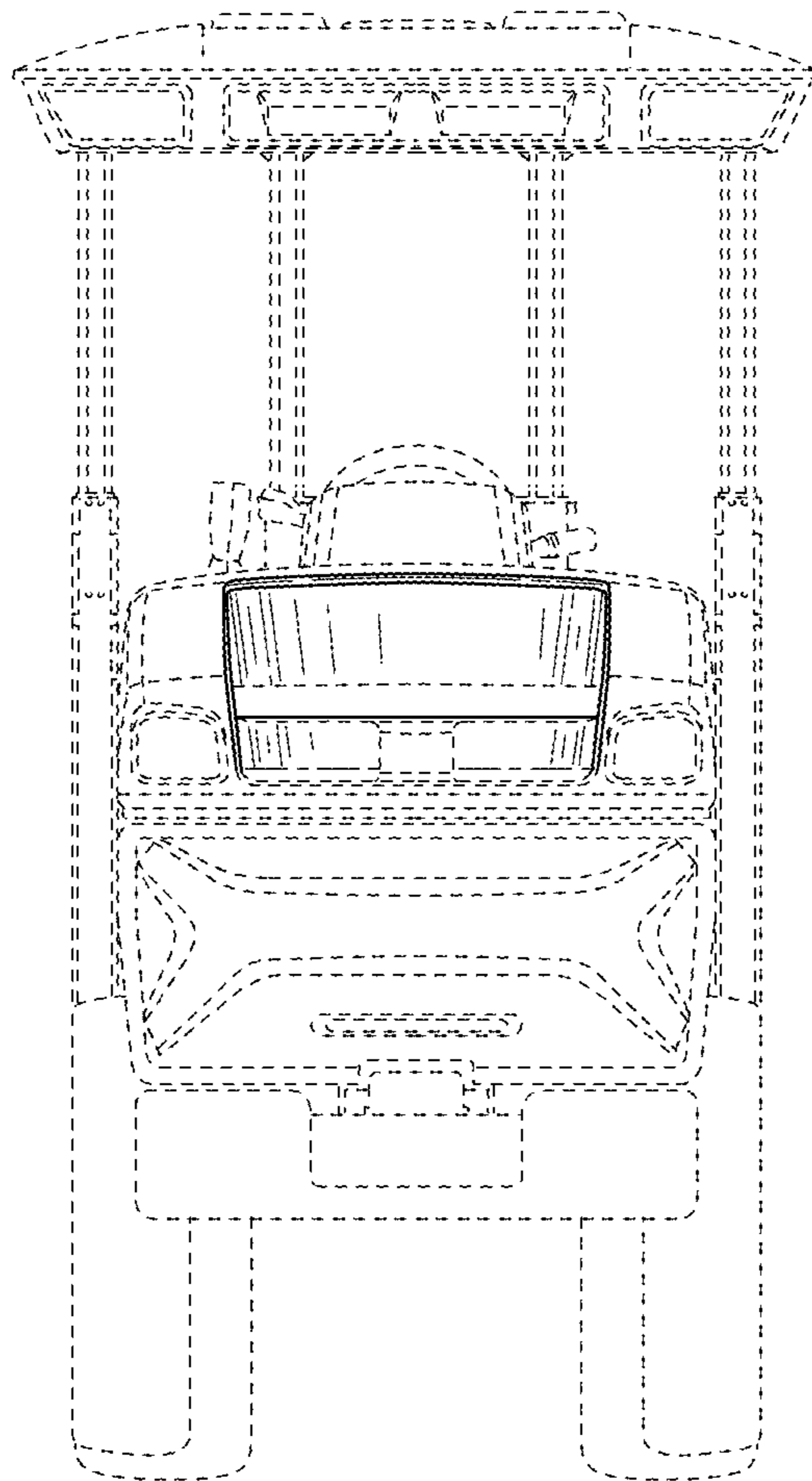


FIG. 5

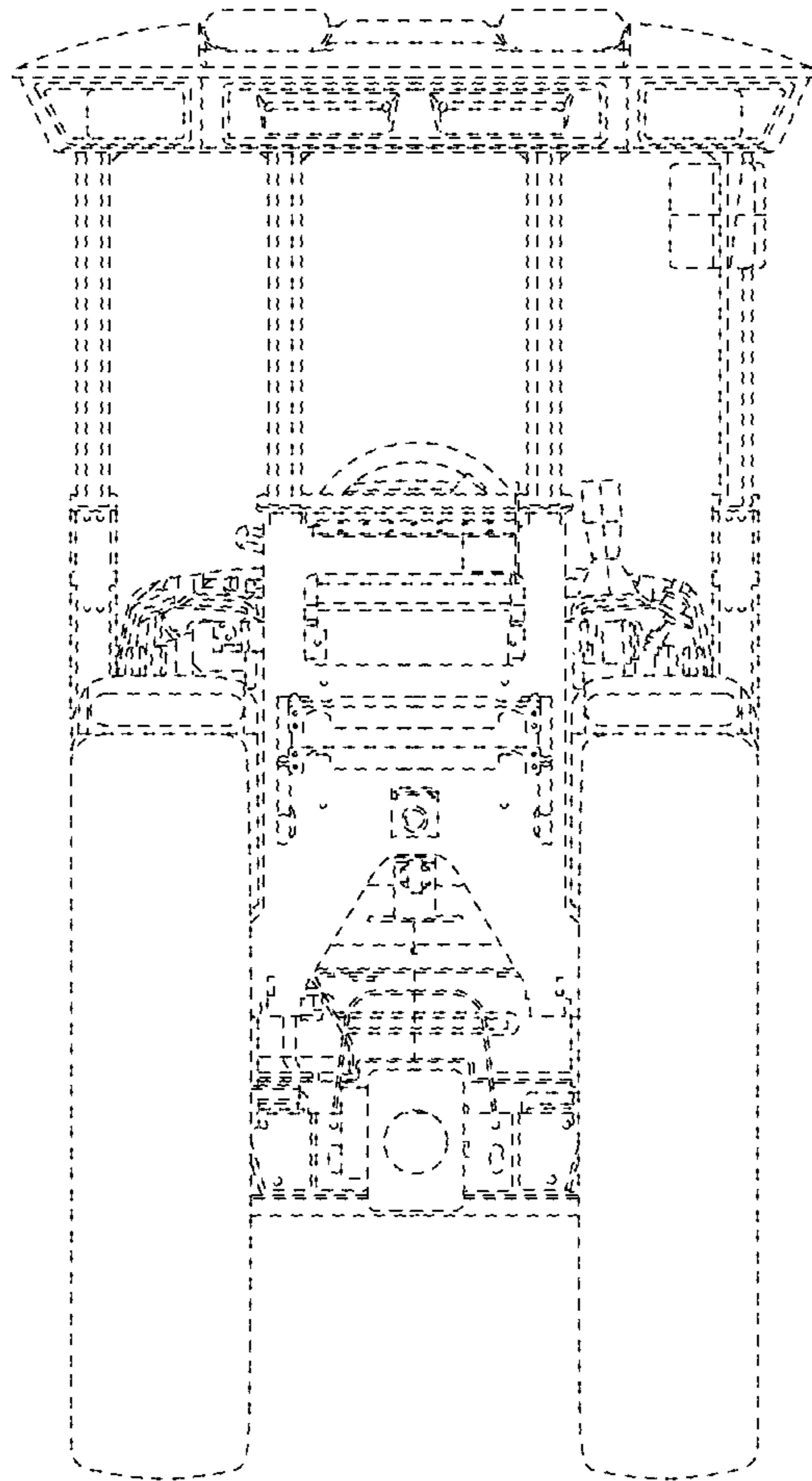


FIG. 6

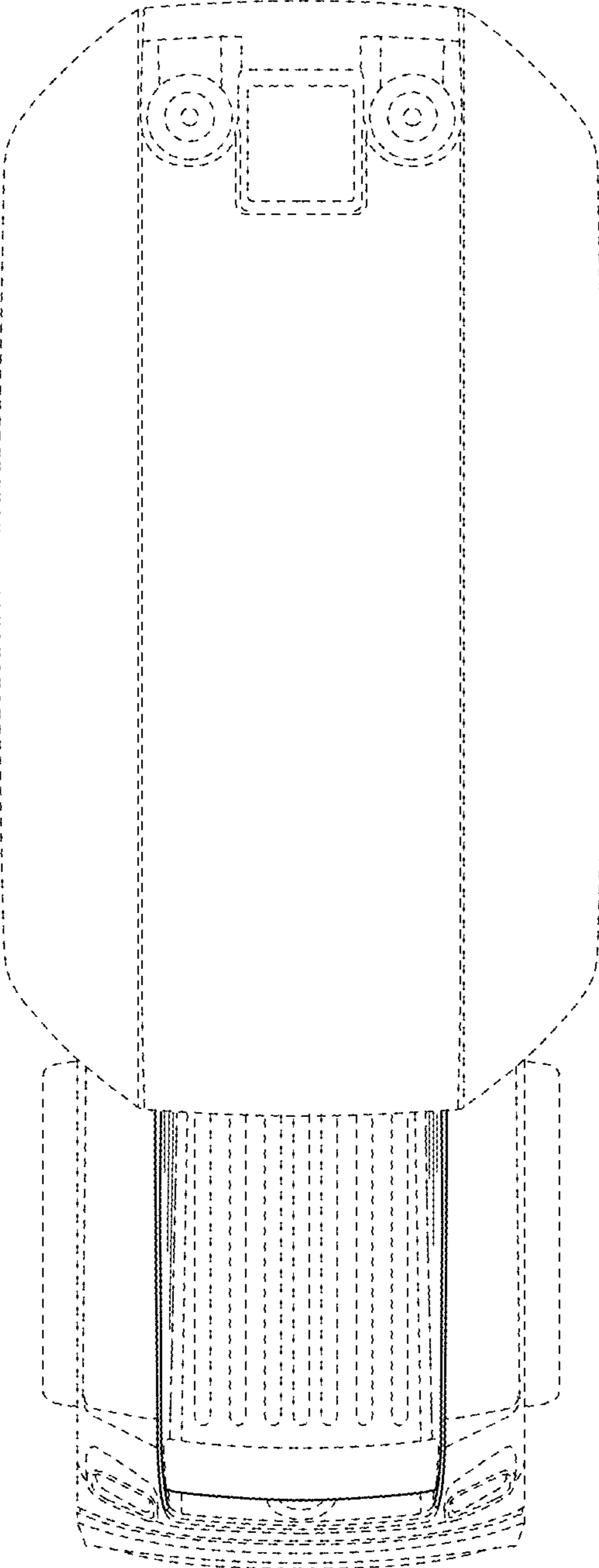


FIG. 7

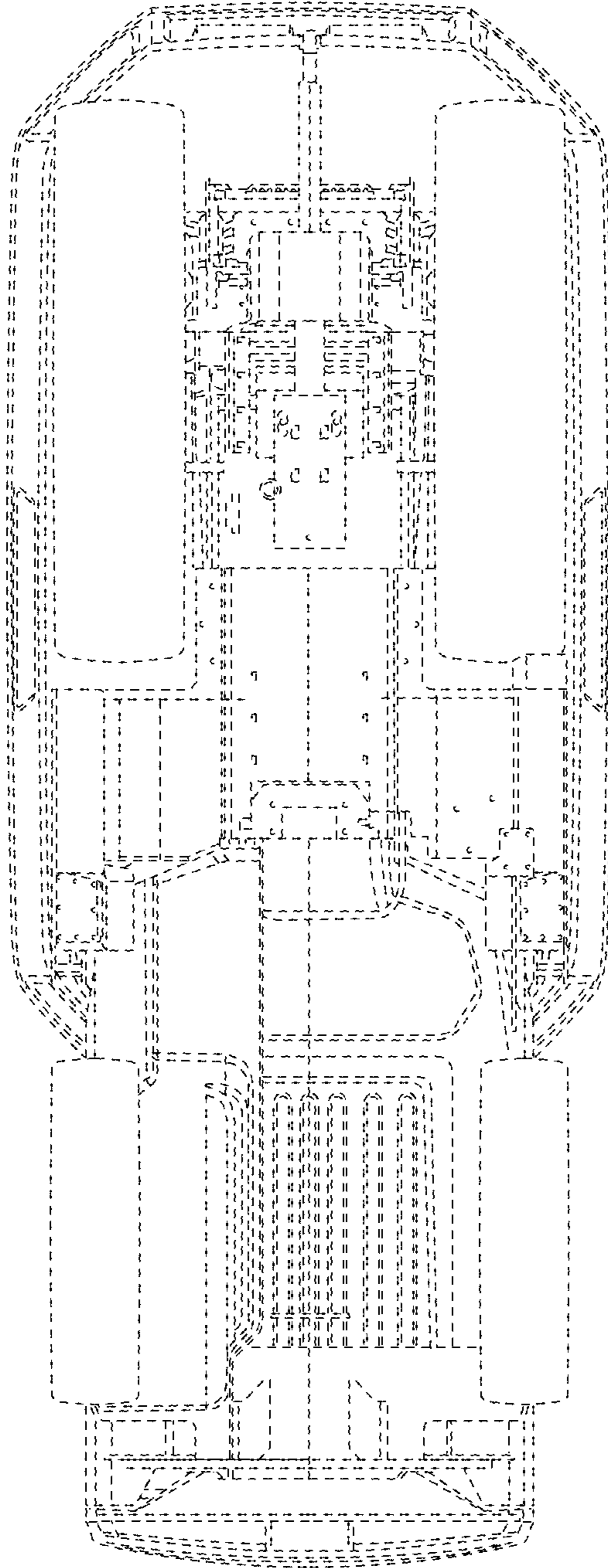


FIG. 8