



US00D916933S

(12) **United States Design Patent** (10) **Patent No.:** **US D916,933 S**
Sun (45) **Date of Patent:** **** Apr. 20, 2021**

(54) **PUMP**

(71) Applicant: **SHENZHEN FENGCHI ELECTRON CO., LTD**, Shenzhen (CN)

(72) Inventor: **Ning Sun**, Weinan (CN)

(**) Term: **15 Years**

(21) Appl. No.: **29/746,693**

(22) Filed: **Aug. 17, 2020**

(30) **Foreign Application Priority Data**

Apr. 23, 2020 (CN) 202030172334.3

(51) **LOC (13) Cl.** **15-02**

(52) **U.S. Cl.**
USPC **D15/7**

(58) **Field of Classification Search**
USPC D14/139, 154, 155, 196, 203.1–203.7,
D14/209.1, 210, 214, 221, 238.1, 363,
D14/341, 496; D15/7–9, 144.1, 144.2;
D23/225, 231, 232, 366, 356; D12/114;
D24/108, 110, 168, 170, 231, 232
CPC F04B 53/14; F04B 53/92; F04B 33/00;
F04B 33/005; F04B 1/005; F04B 39/102;
F04D 13/06; F04D 29/22; F04D 29/046;
F04D 29/2266; F16K 11/048; F16K
15/20; F16K 31/602; F16L 37/18; F16L
37/20

See application file for complete search history.

(56) **References Cited**

U.S. PATENT DOCUMENTS

D294,359 S * 2/1988 Tsai D15/8
D426,554 S * 6/2000 Wang D15/8
D428,422 S * 7/2000 Wang D15/8
D436,361 S * 1/2001 Yu-Chin D15/8
D489,052 S * 4/2004 Shiraki D14/203.3
D518,044 S * 3/2006 Lee D14/368
D610,126 S * 2/2010 Andre D14/203.7

D629,789 S * 12/2010 Andre D14/203.7
D640,648 S * 6/2011 Luo D14/125
D701,536 S * 3/2014 Shakal D15/7
D718,785 S * 12/2014 Bang D14/496
D742,851 S * 11/2015 Matthews D14/188
D744,005 S 11/2015 Anderson et al.
D749,056 S * 2/2016 Xin D14/214
D817,306 S * 5/2018 Jang D14/214

(Continued)

FOREIGN PATENT DOCUMENTS

CN 306059402 * 9/2020
CN 306309010 * 2/2021

OTHER PUBLICATIONS

Xiaomi, DZN4006GL Mi Pump Air Compressor, (date first available Nov. 5, 2019), Amazon.com, URL:<<https://www.amazon.com/Xiaomi-Portable-Compressor-Detection-Motorcycle/dp/B07XZCLGVQ>> (Year: 2019).*

(Continued)

Primary Examiner — Sheryl Lane
Assistant Examiner — Mark T. Philipps

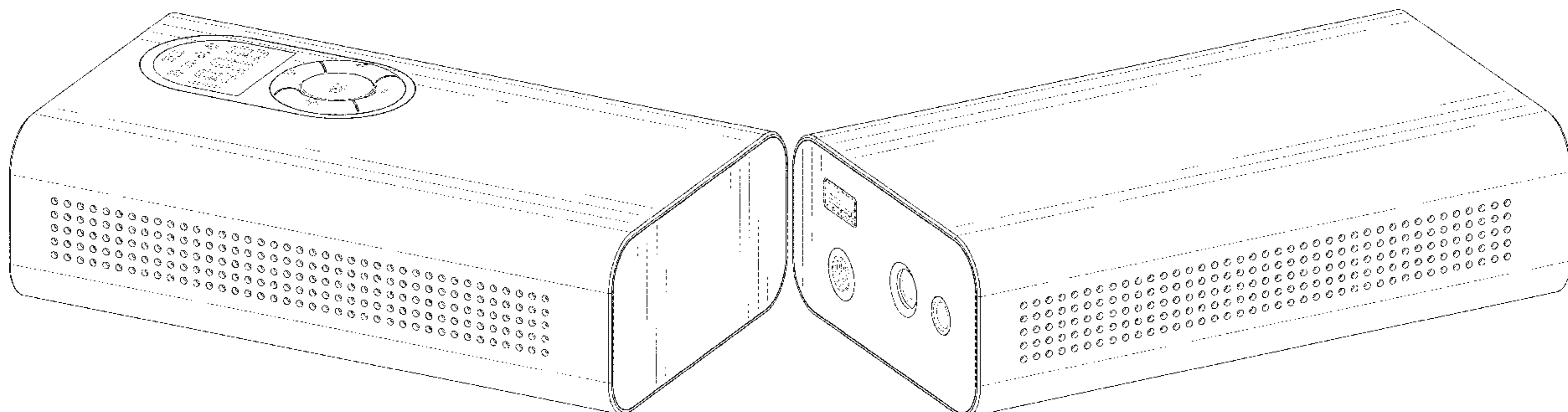
(57) **CLAIM**

The ornamental design for a pump, as shown and described.

DESCRIPTION

FIG. 1 is a front and top perspective view of a pump, showing my new design;
FIG. 2 is a rear and bottom perspective view thereof;
FIG. 3 is a front elevational view thereof;
FIG. 4 is a rear elevational view thereof;
FIG. 5 is a left side elevational view thereof;
FIG. 6 is a right side elevational view thereof;
FIG. 7 is a top plan view thereof; and,
FIG. 8 is a bottom plan view thereof.
The broken lines in the figures illustrate portions of the article that form no part of the claimed design.

1 Claim, 8 Drawing Sheets



(56)

References Cited

U.S. PATENT DOCUMENTS

D822,065 S * 7/2018 Kang D14/496
D860,154 S * 9/2019 Hu D14/155
D864,905 S * 10/2019 Roberts D14/210
D881,845 S * 4/2020 Warnhammar D14/214
D883,250 S * 5/2020 Zheng D14/203.7
D883,276 S * 5/2020 Zhang D14/299
D888,013 S * 6/2020 Yu D14/214
D900,795 S * 11/2020 Laffon de Mazieres D14/240
D906,284 S * 12/2020 Kusano D14/214
D912,009 * 3/2021 Gholekar D14/203.7

OTHER PUBLICATIONS

TechSafe, Air Inflator Tire Pressure Tester Pump Electric Car Air Compressor Hand Held Tire Pump, (first available Nov. 2, 2020), Amazon.com, URL:<<https://www.amazon.com/TechSafe-Inflator-Pressure-Compressor-Inflatables/dp/B08MGT51PS>> (Year: 2020).*

* cited by examiner

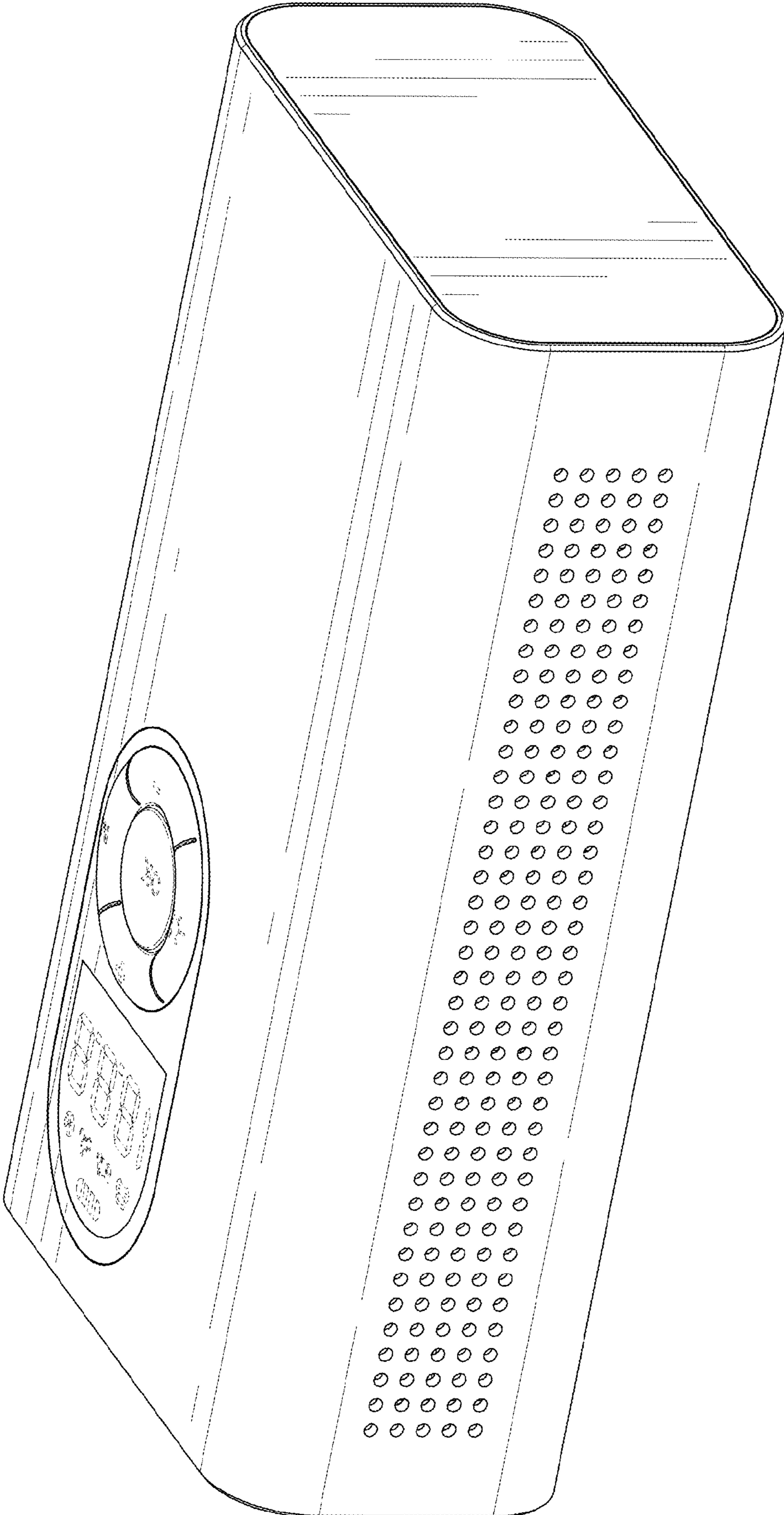


FIG. 1

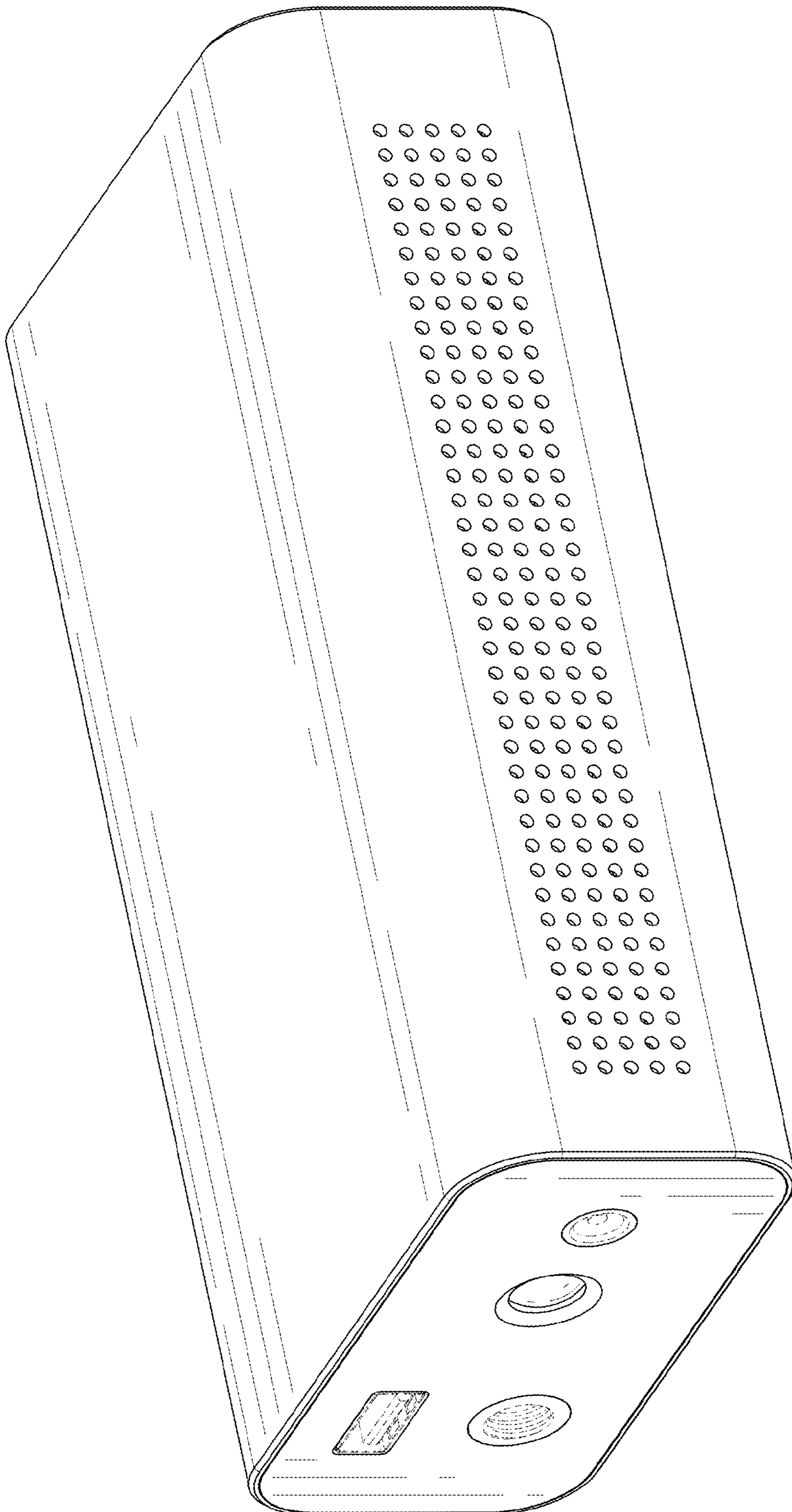


FIG. 2

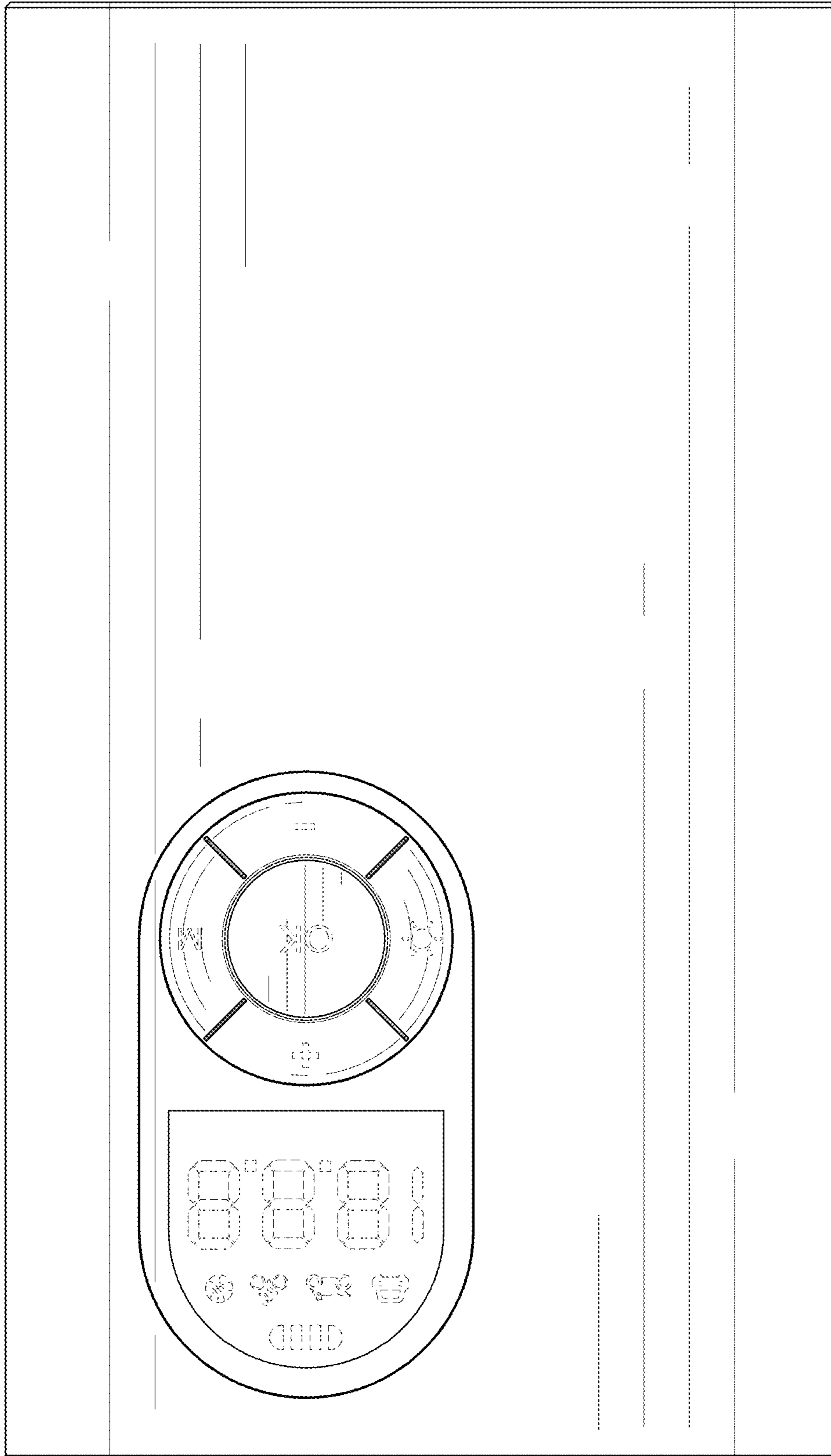


FIG. 3

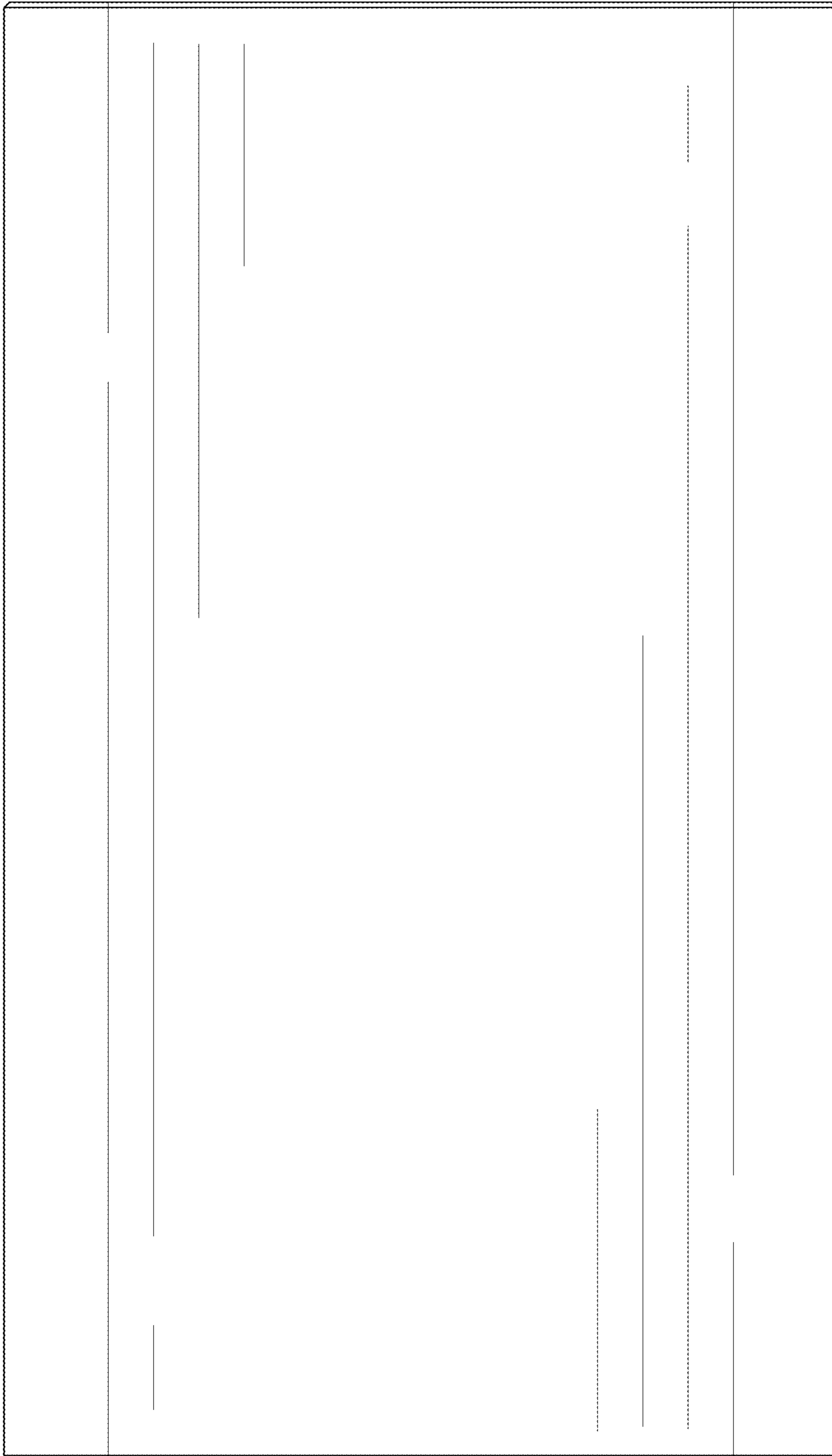


FIG. 4

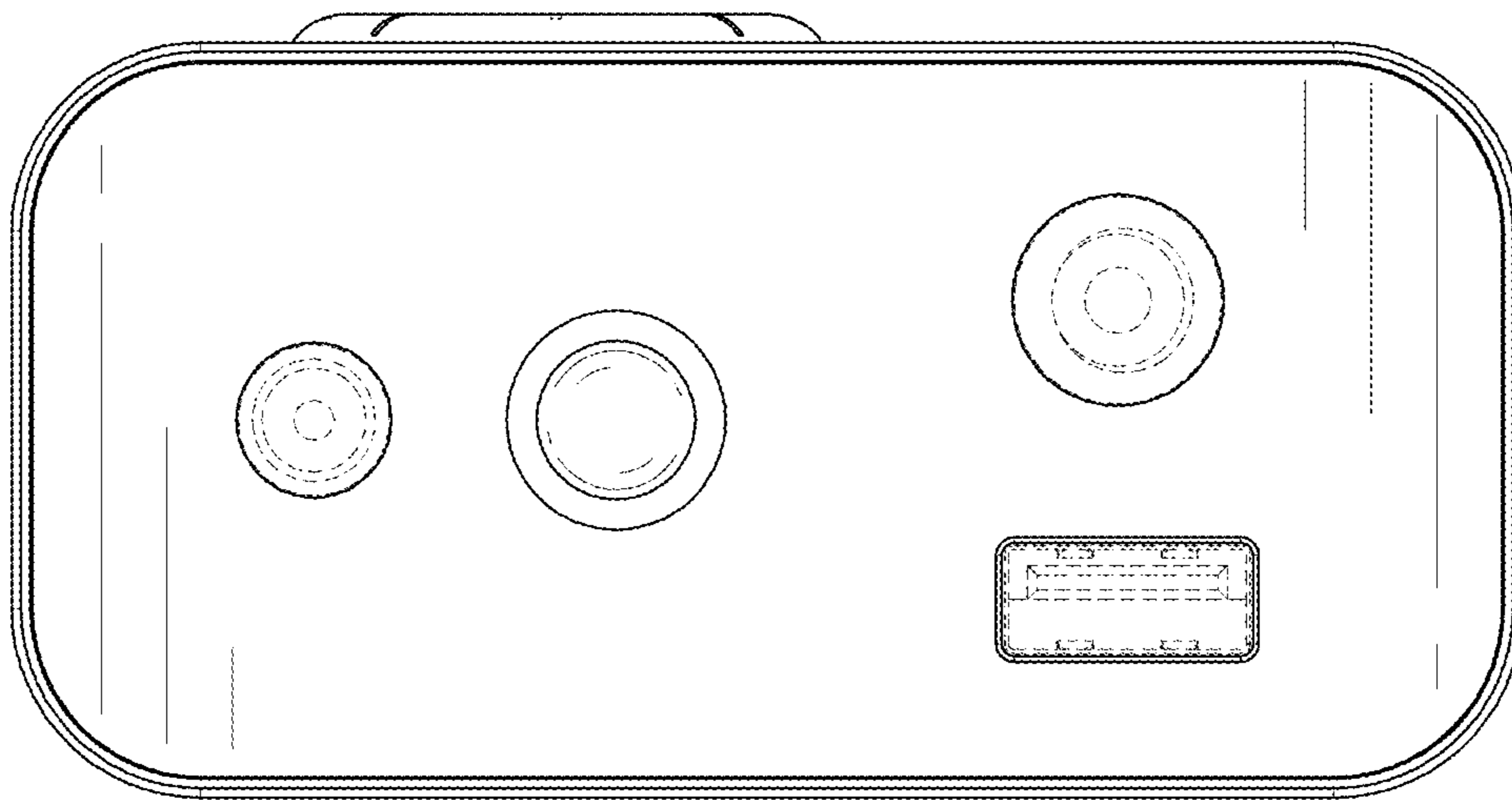


FIG. 5

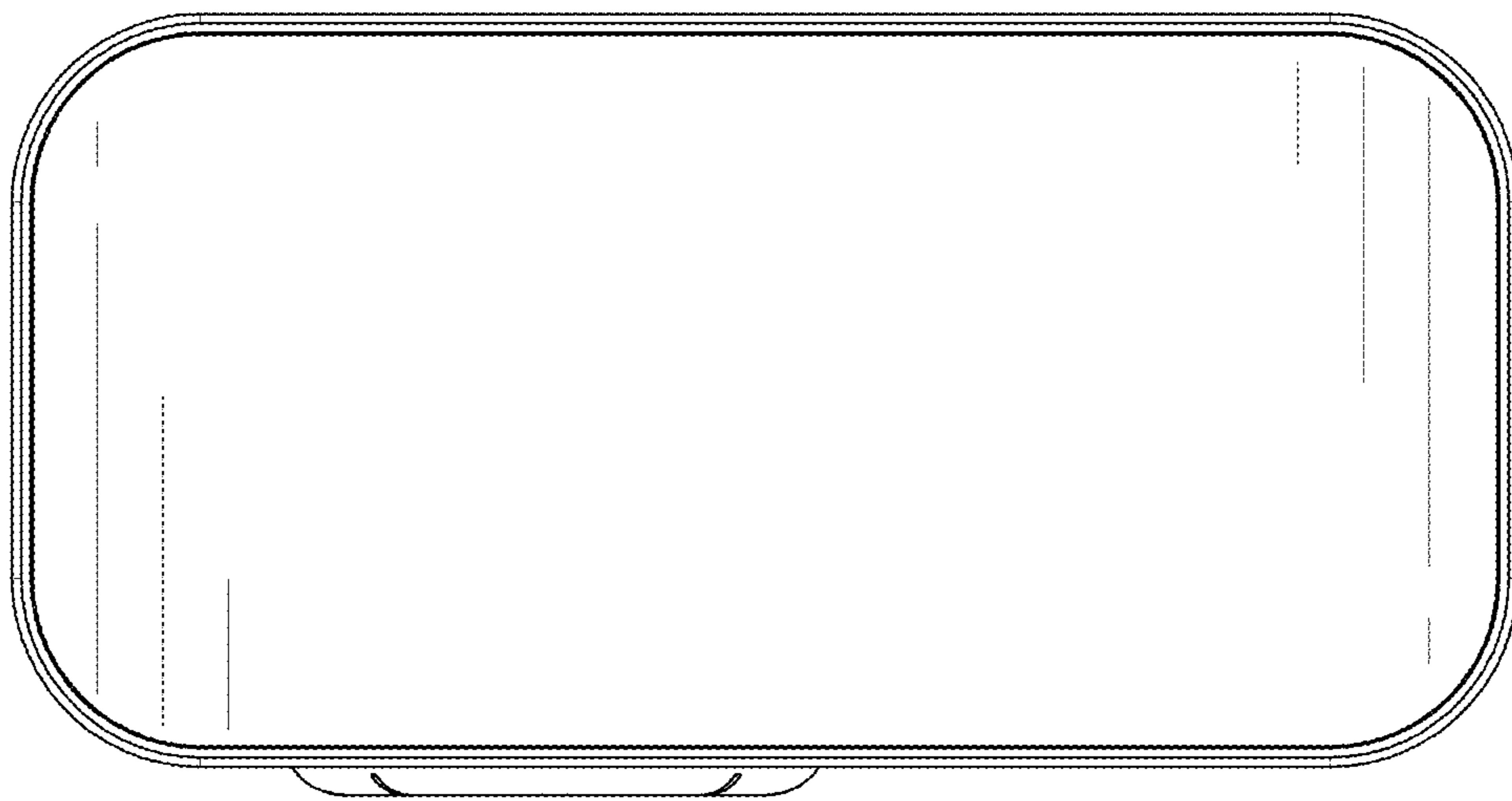


FIG. 6

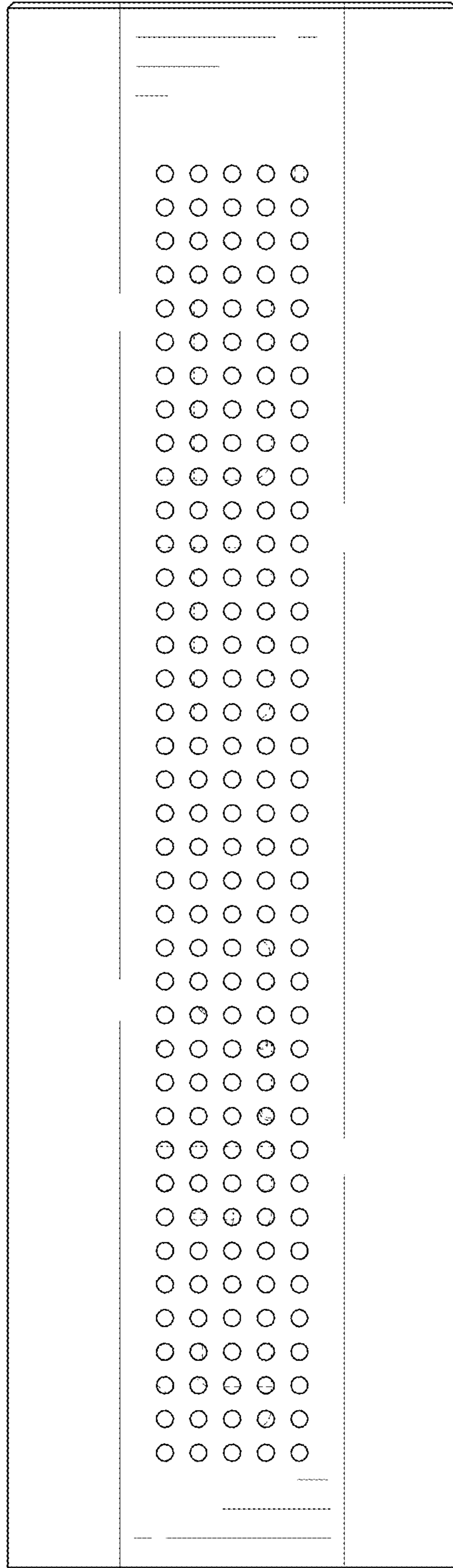


FIG. 7

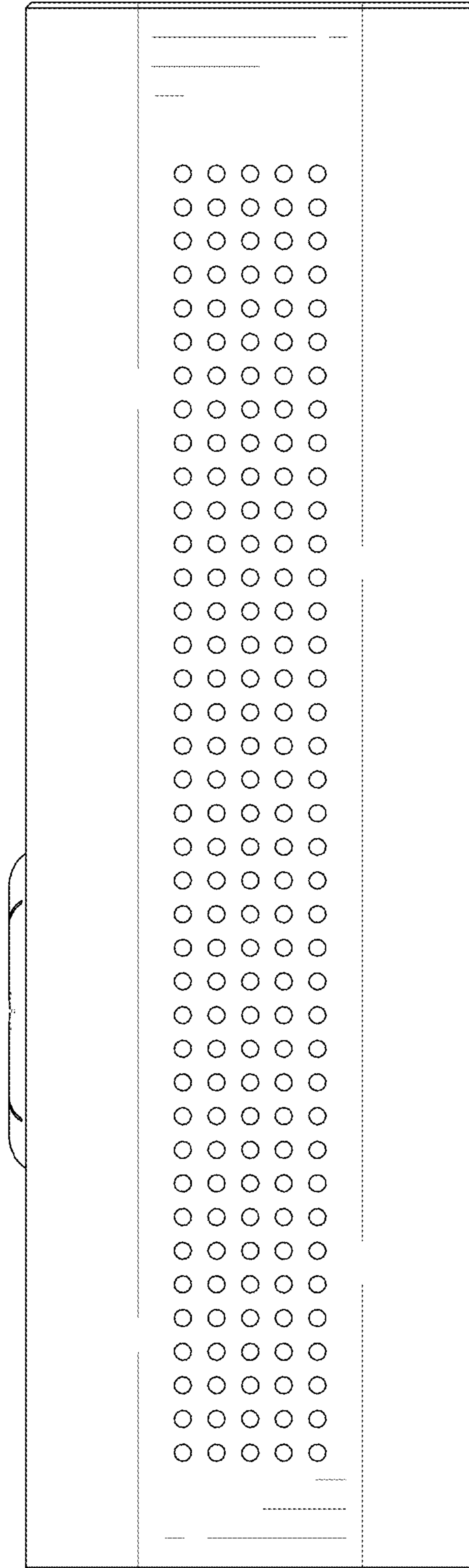


FIG. 8