



US00D916931S

(12) **United States Design Patent** (10) **Patent No.:** **US D916,931 S**
Canik et al. (45) **Date of Patent:** **** Apr. 20, 2021**

(54) **ROUTING GUIDE**

- (71) Applicant: **Cummins Emission Solutions Inc.**, Columbus, IN (US)
- (72) Inventors: **Jacob D. Canik**, Madison, WI (US); **Corey Verseman**, Fitchburg, WI (US); **Andrew Komisarek**, Madison, WI (US); **Stephen James Kindem**, Fitchburg, WI (US); **Alexander Swendson**, Pewaukee, WI (US)
- (73) Assignee: **Cummins Emission Solutions Inc.**, Columbus, IN (US)
- (**) Term: **15 Years**
- (21) Appl. No.: **29/746,925**
- (22) Filed: **Aug. 18, 2020**

Related U.S. Application Data

- (62) Division of application No. 29/688,322, filed on Apr. 19, 2019.
- (51) **LOC (13) Cl.** **15-01**
- (52) **U.S. Cl.**
USPC **D15/5**
- (58) **Field of Classification Search**
USPC D15/1, 2, 3, 4, 5, 6, 28; D13/199, 155, D13/123, 133, 153, 154, 156, 184; D7/349, 354, 380; D23/259, 262; D24/112, 113, 114, 133, 186, 130, 127, D24/210, 158, 195; D8/14, 349, 352, D8/354, 355, 356, 358, 360, 363, 396, D8/499; D22/143
CPC Y10T 16/69; F01N 13/008; F01N 3/2066; G02B 6/3829
See application file for complete search history.

(56) **References Cited**

U.S. PATENT DOCUMENTS

D217,117 S *	4/1970	Gordon	D8/356
D244,255 S *	5/1977	Snyder	D8/355
D253,091 S *	10/1979	Fritz	D8/394
D318,607 S *	7/1991	Reid	D8/363
5,730,150 A *	3/1998	Peppel	A61M 25/09041 600/585
D395,695 S *	6/1998	Ohmura	D22/143
7,357,787 B2 *	4/2008	Moss	A61B 17/34 604/116
D622,132 S	8/2010	DeMars et al.		
8,365,458 B2 *	2/2013	Omura	A01K 87/04 43/24
9,577,413 B1 *	2/2017	Powell	H02G 1/04
D785,792 S *	5/2017	Moosai	D24/140
D810,230 S	2/2018	Lin		
D811,854 S	3/2018	Maurer		
D840,030 S *	2/2019	Smith	D24/140

(Continued)

Primary Examiner — Ania Aman

(74) Attorney, Agent, or Firm — Foley & Lardner LLP

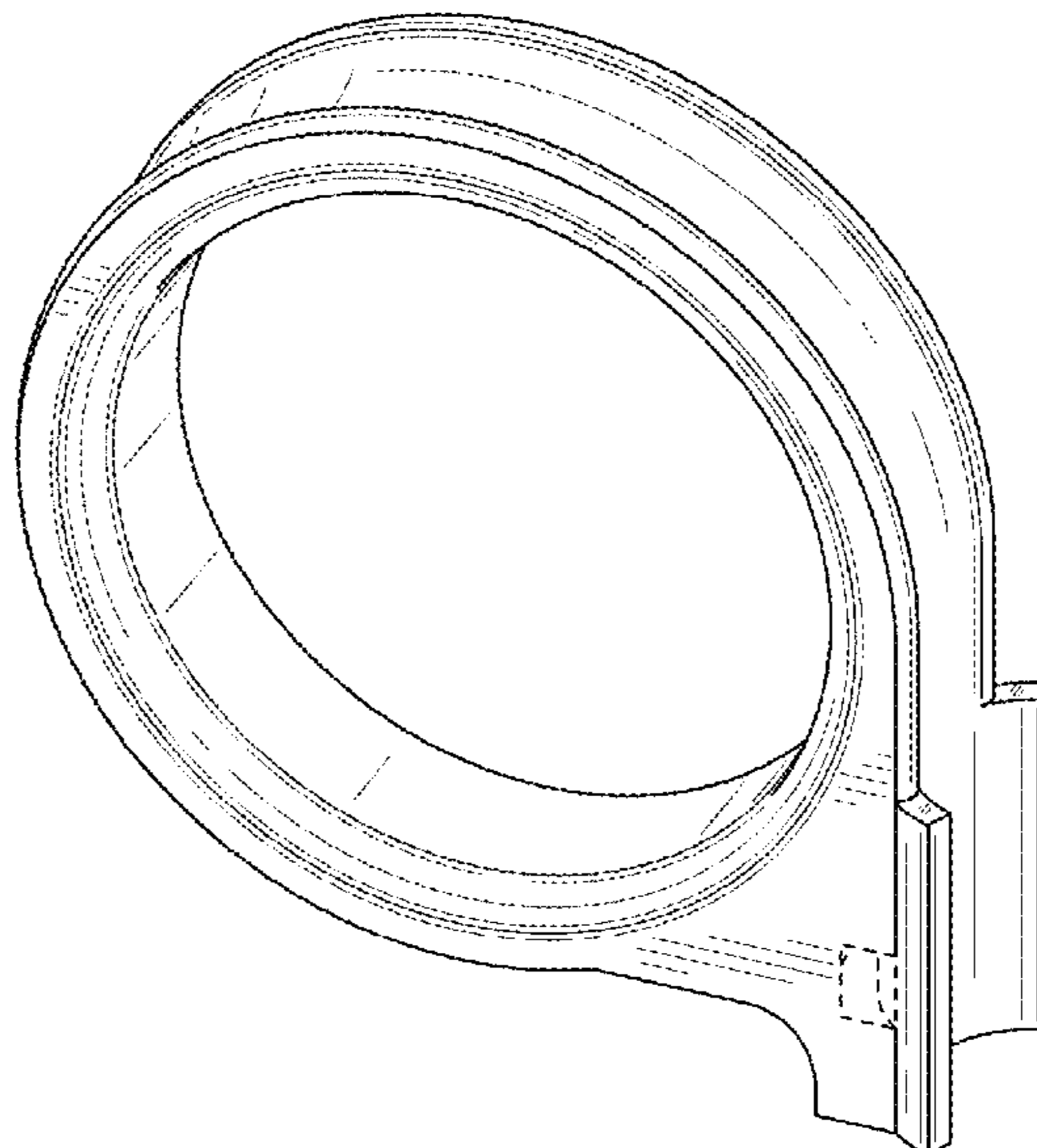
(57) **CLAIM**

We claim the ornamental design for a routing guide, as shown and described.

DESCRIPTION

FIG. 1 is a first perspective view of a routing guide showing our new an embodiment of the claimed design;
 FIG. 2 is a rear view thereof;
 FIG. 3 is a front view thereof;
 FIG. 4 is a top view thereof;
 FIG. 5 is a bottom view thereof;
 FIG. 6 is a left side view thereof;
 FIG. 7 is a right side view thereof; and,
 FIG. 8 is a second perspective view thereof.
 The broken lines in the drawings depict unclaimed environmental subject matter, are for illustrative purposes only, and form no part of the claimed design.

1 Claim, 4 Drawing Sheets



(56)

References Cited

U.S. PATENT DOCUMENTS

D871,891 S 1/2020 Emanuel
D880,282 S 4/2020 Wheeler
2020/0088079 A1* 3/2020 Zieris F01N 3/2066

* cited by examiner

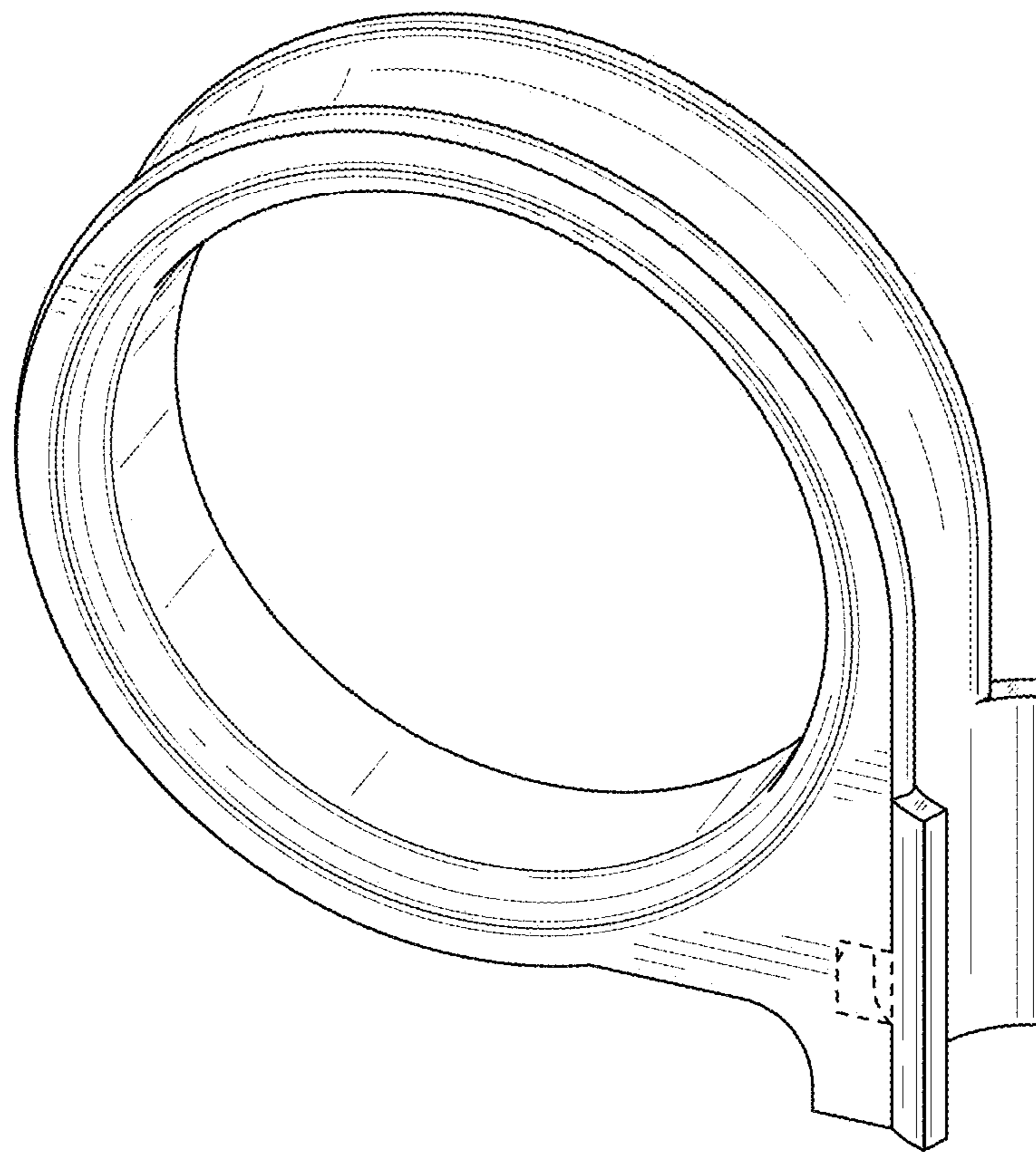


FIG. 1

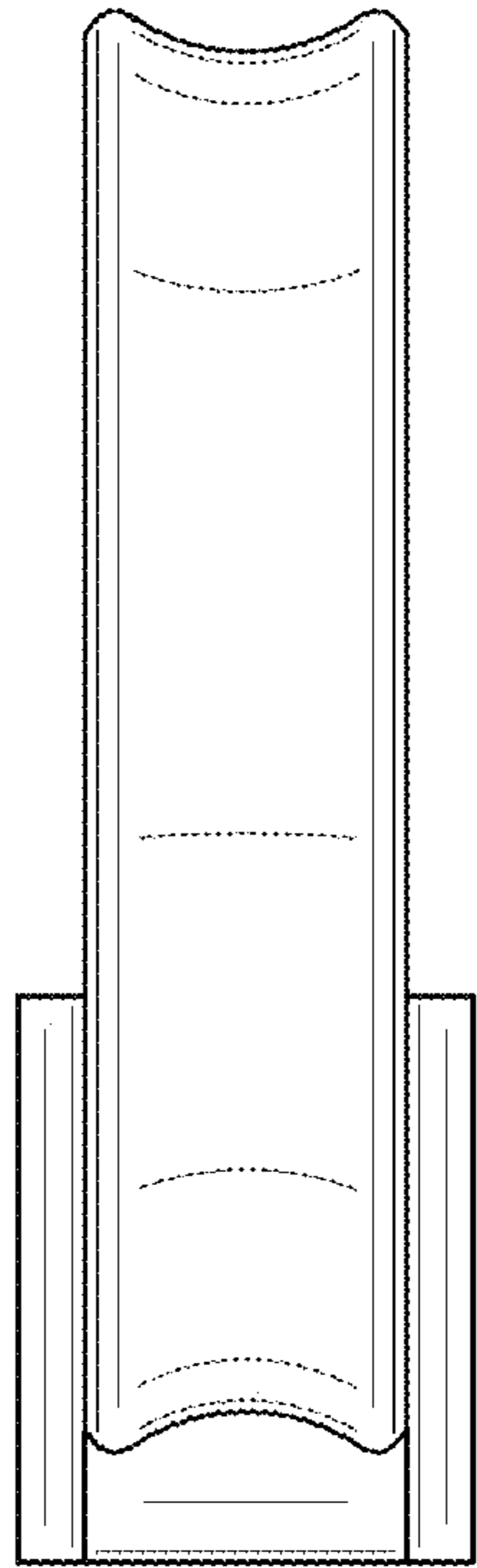


FIG. 2

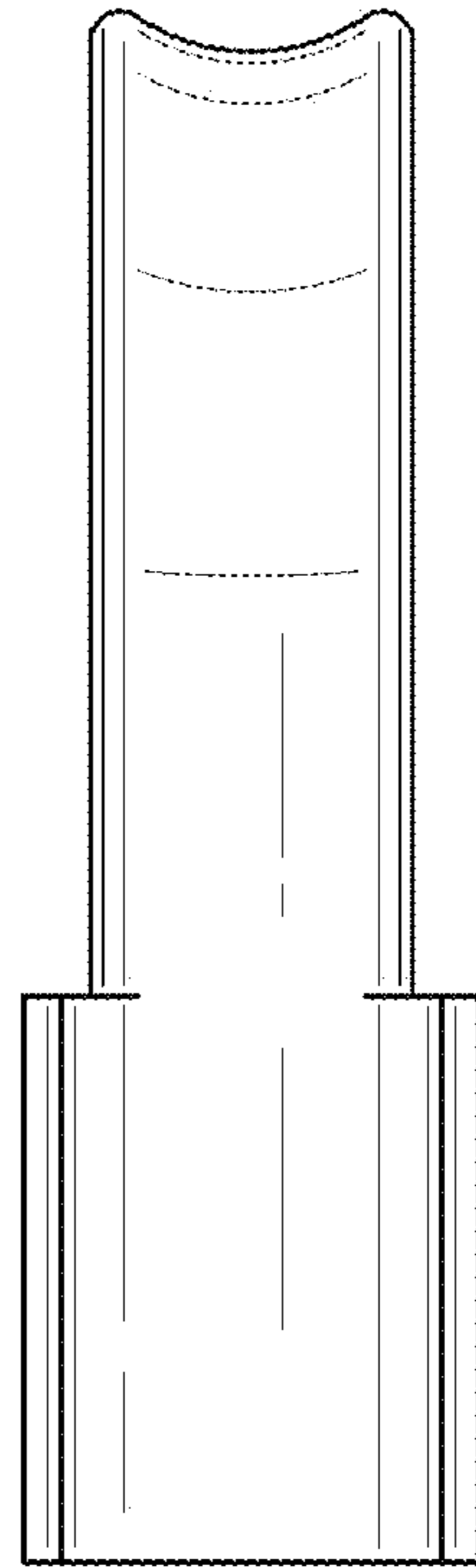


FIG. 3

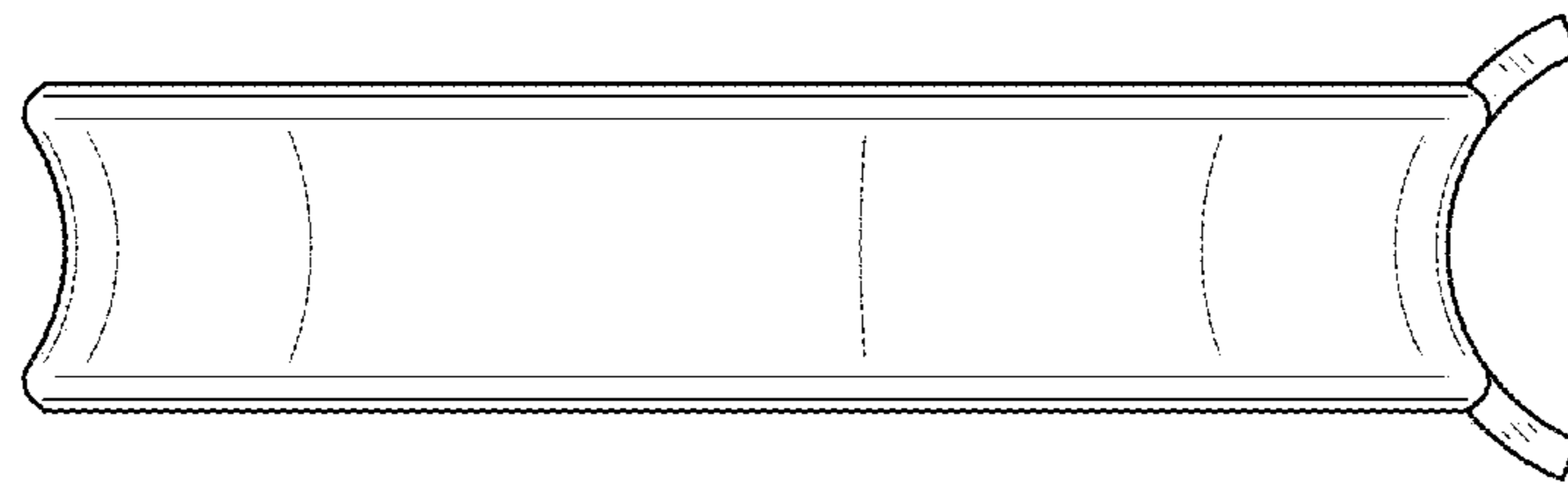


FIG. 4

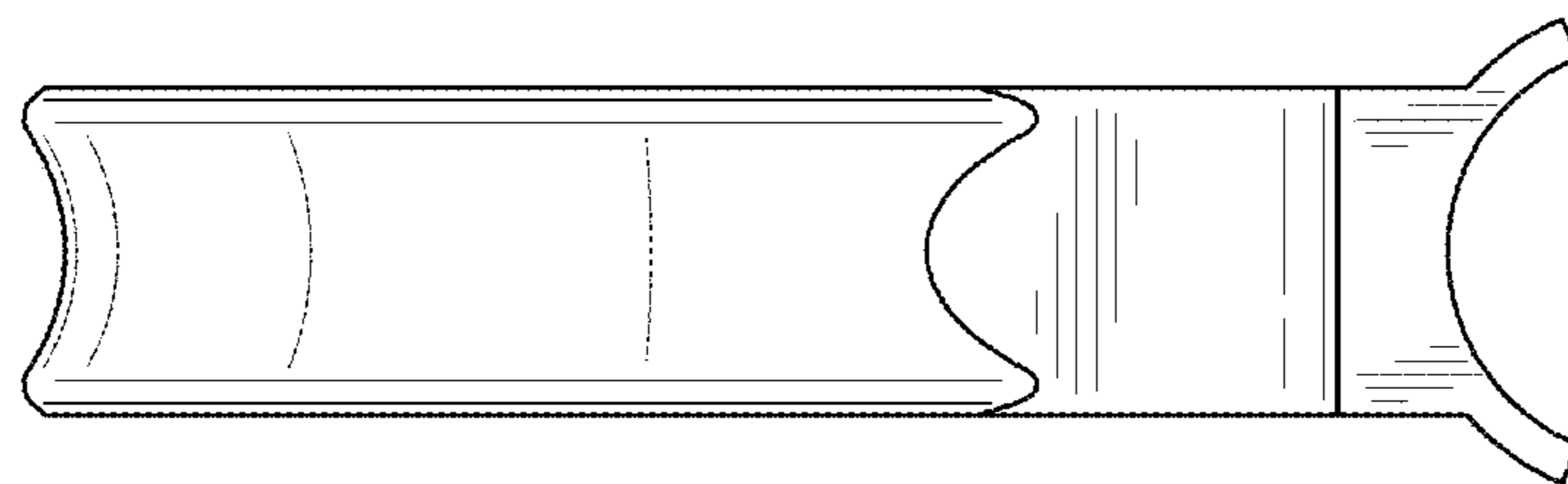


FIG. 5

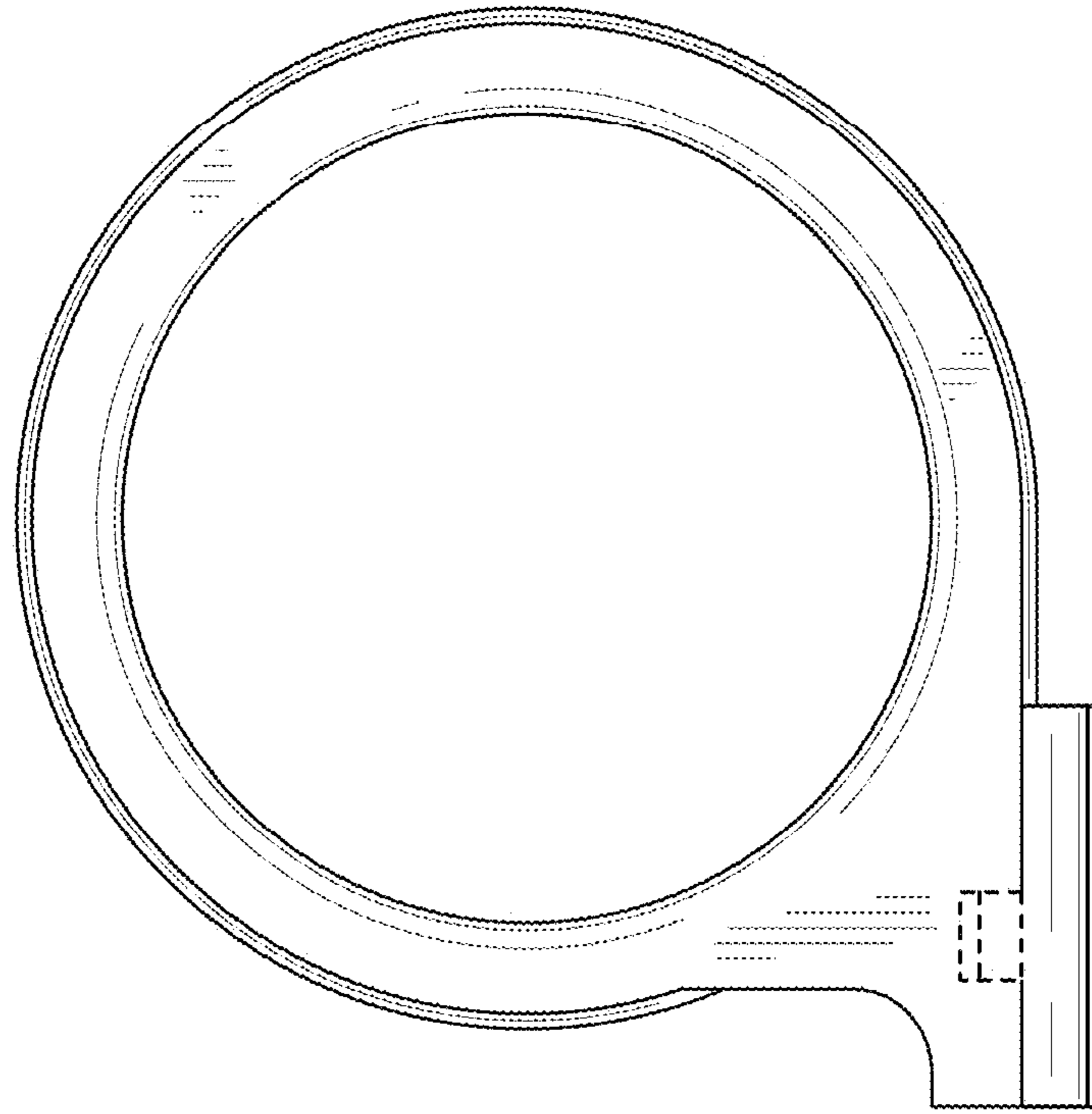


FIG. 6

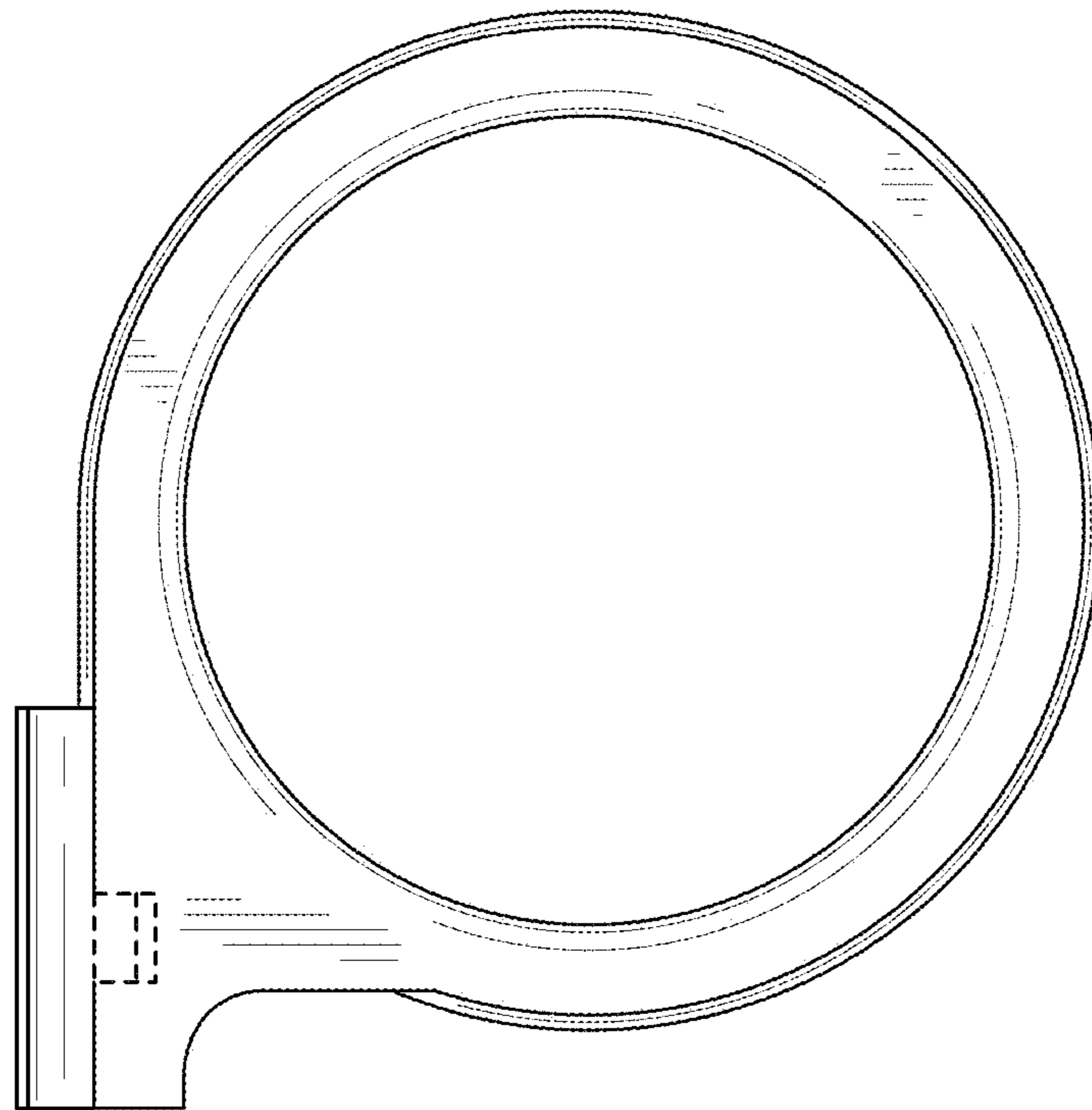


FIG. 7

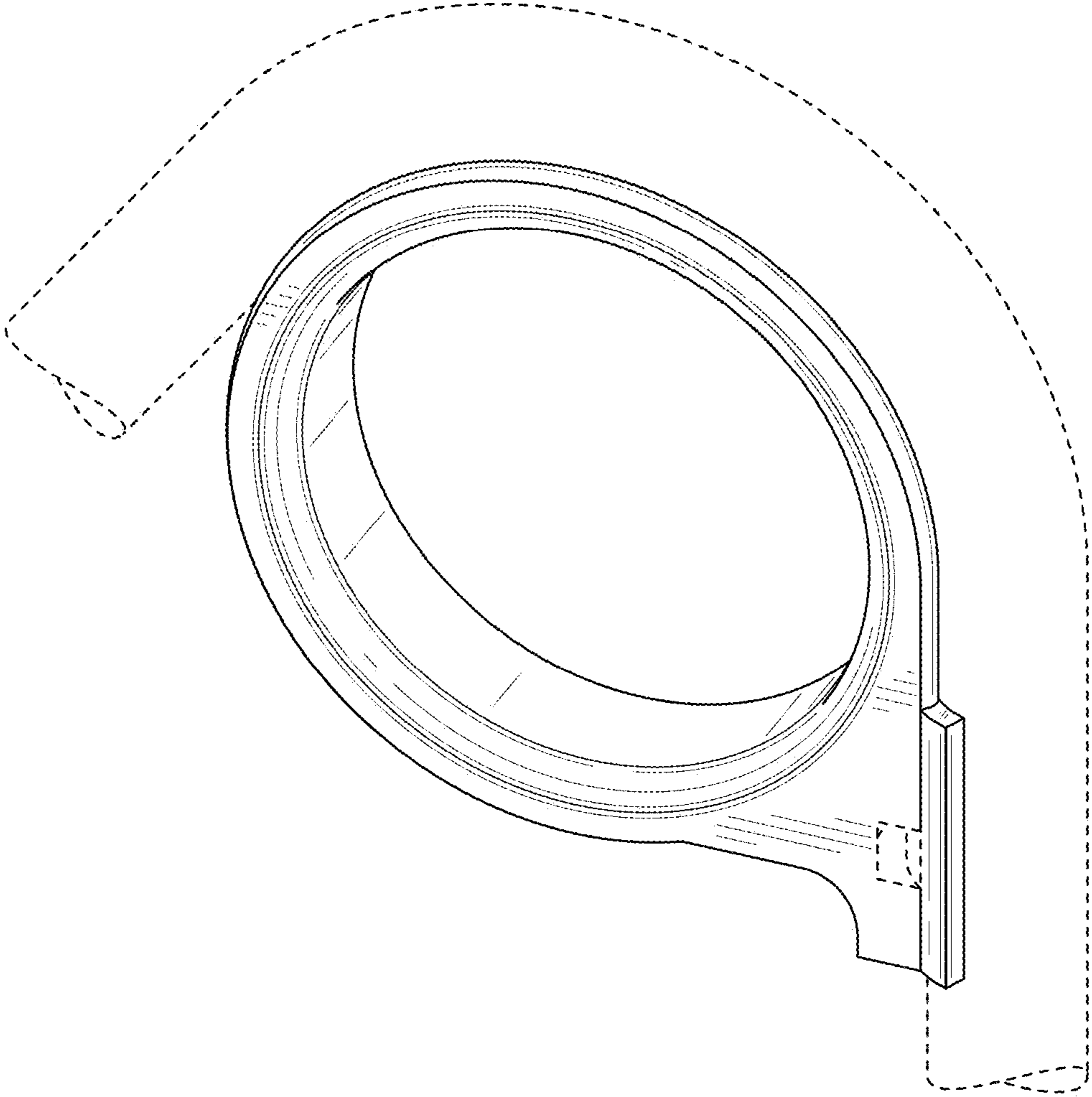


FIG. 8