



US00D916907S

(12) **United States Design Patent**
Kim et al.

(10) **Patent No.: US D916,907 S**

(45) **Date of Patent: ** Apr. 20, 2021**

(54) **DISPLAY SCREEN OR PORTION THEREOF WITH ICON**

(71) Applicant: **Samsung Electronics Co., Ltd.**,
Suwon-si (KR)

(72) Inventors: **Young Sun Kim**, Suwon-si (KR);
Hyun Soo Yuk, Suwon-si (KR); **Heui Jin Kwon**,
Suwon-si (KR); **Hae In Lee**, Suwon-si (KR)

(73) Assignee: **Samsung Electronics Co., Ltd.**,
Suwon-si (KR)

(**) Term: **15 Years**

(21) Appl. No.: **29/687,650**

(22) Filed: **Apr. 15, 2019**

(30) **Foreign Application Priority Data**

Dec. 28, 2018 (KR) 30-2018-0062266

(51) **LOC (13) Cl.** **14-04**

(52) **U.S. Cl.**
USPC **D14/491**

(58) **Field of Classification Search**
USPC D14/485-495; D20/11; D21/324, 325
CPC G06F 3/048; G06F 3/0481; G06F 3/04817;
G06F 3/0482; G06F 3/0483; G06F
3/04842; G06F 3/0485; G06F 3/04855;
G06F 3/0486; G06F 3/0488; G06F
3/04886; G06F 9/4443; G06F 17/211;
G06F 17/212; G06Q 10/109; G09B 7/04
See application file for complete search history.

(56) **References Cited**

U.S. PATENT DOCUMENTS

6,085,184 A * 7/2000 Bertrand G09B 7/04
706/45
D480,401 S * 10/2003 Kahn D14/488

D495,338 S * 8/2004 Peter D14/486
D545,836 S * 7/2007 Haldimann D14/491
D547,322 S * 7/2007 Ivanov D14/489
D547,324 S * 7/2007 Ivanov D14/491
7,360,172 B2 * 4/2008 Grossman G06Q 10/109
715/751
D592,223 S * 5/2009 Neuhaus D14/491
D620,024 S * 7/2010 Dunn D14/493
D628,595 S * 12/2010 Danhope-Smith D14/493

(Continued)

FOREIGN PATENT DOCUMENTS

EM 001059356-0014 1/2009
EM 001444780-0031 4/2016

(Continued)

OTHER PUBLICATIONS

“Arrow, bidirectional, direction, path, twoway, way icon” Jan. 30,
2016, posted at iconfinder.com, [site visited Jul. 1, 2020]. https://www.iconfinder.com/icons/960771/arrow_bidirectional_direction_path_twoway_way_icon (Year: 2016).*

(Continued)

Primary Examiner — John M Otte

(74) *Attorney, Agent, or Firm* — NSIP Law

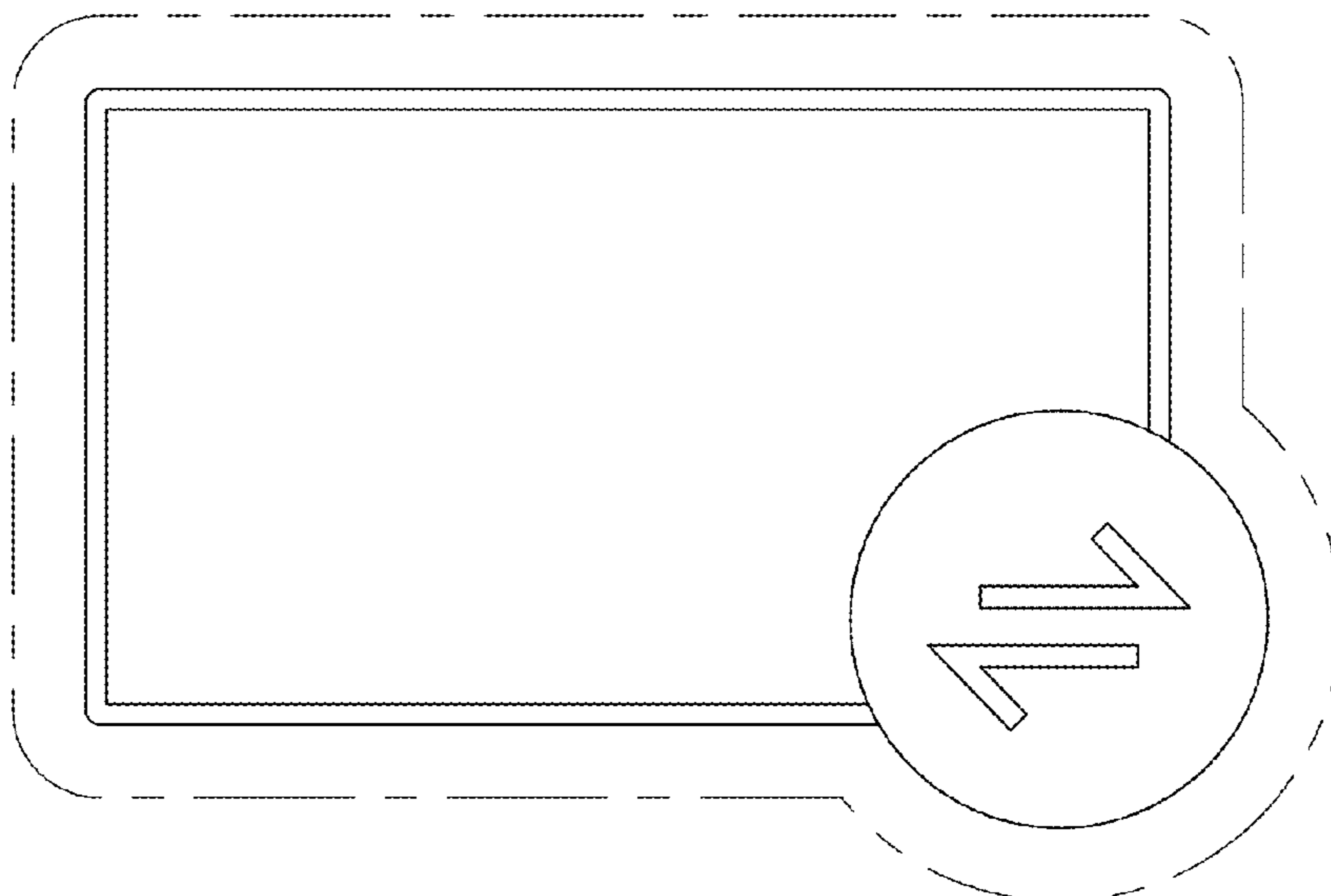
(57) **CLAIM**

We claim the ornamental design for a display screen or portion thereof with icon, as shown and described.

DESCRIPTION

FIG. 1 is a front view of a display screen or portion thereof with icon showing our new design; and, FIG. 2 is an enlarged front view of the icon thereof. The dash-dash broken lines depict a display screen or portion thereof that forms no part of the claimed design. The dot-dash broken lines in the figures illustrate a boundary of the claimed design and form no part thereof.

1 Claim, 2 Drawing Sheets



(56)

References Cited

U.S. PATENT DOCUMENTS

D684,182 S *	6/2013	Phelan	D14/489
D708,624 S *	7/2014	Arnold	D14/485
D729,840 S *	5/2015	Lee	D14/491
D743,439 S	11/2015	Torres et al.	
D745,552 S *	12/2015	Jung	D14/489
D746,861 S *	1/2016	Park	D14/491
D747,347 S *	1/2016	Park	D14/492
D753,702 S *	4/2016	Zhou	D14/488
D755,840 S *	5/2016	Odemchuk	D14/489
D759,119 S *	6/2016	Wolf	D14/490
D768,193 S *	10/2016	Choi	D14/491
D785,045 S *	4/2017	Coffman	D14/492
D787,554 S *	5/2017	Kim	D14/491
D798,334 S *	9/2017	Dye	D14/489
D864,244 S *	10/2019	Szeto	D14/491
2014/0245176 A1 *	8/2014	Murali	G06F 3/0483 715/752

FOREIGN PATENT DOCUMENTS

KR	30-2013-0066215	4/2014
KR	30-2014-0057459	10/2015

OTHER PUBLICATIONS

“Arrow, bidirectional, direction, path, twoway, viceversa icon” Feb. 2, 2016, posted at iconfinder.com, [site visited Aug. 18, 2020]. https://www.iconfinder.com/icons/967022/arrow_bidirectional_direction_path_twoway_viceversa_icon (Year: 2016).*

“Alert, new, notification icon” Mar. 26, 2018, posted at iconfinder.com, [site visited Aug. 18, 2020]. https://www.iconfinder.com/icons/3066916/alert_new_notification_icon (Year: 2018).*

“Arrow, bidirectional, direction, path, toway icon” Jul. 5, 2016, posted at iconfinder.com, [site visited Aug. 18, 2020]. https://www.iconfinder.com/icons/1298359/arrow_bidirectional_direction_path_toway_icon (Year: 2016).*

Iconfu. “Cube Icon” [2019] www.iconfu.com Apr. 15, 2019 <https://www.iconfu.com/collections/mono/sets/12-mono_icons/6635-cube_icon>.

* cited by examiner

FIG. 1

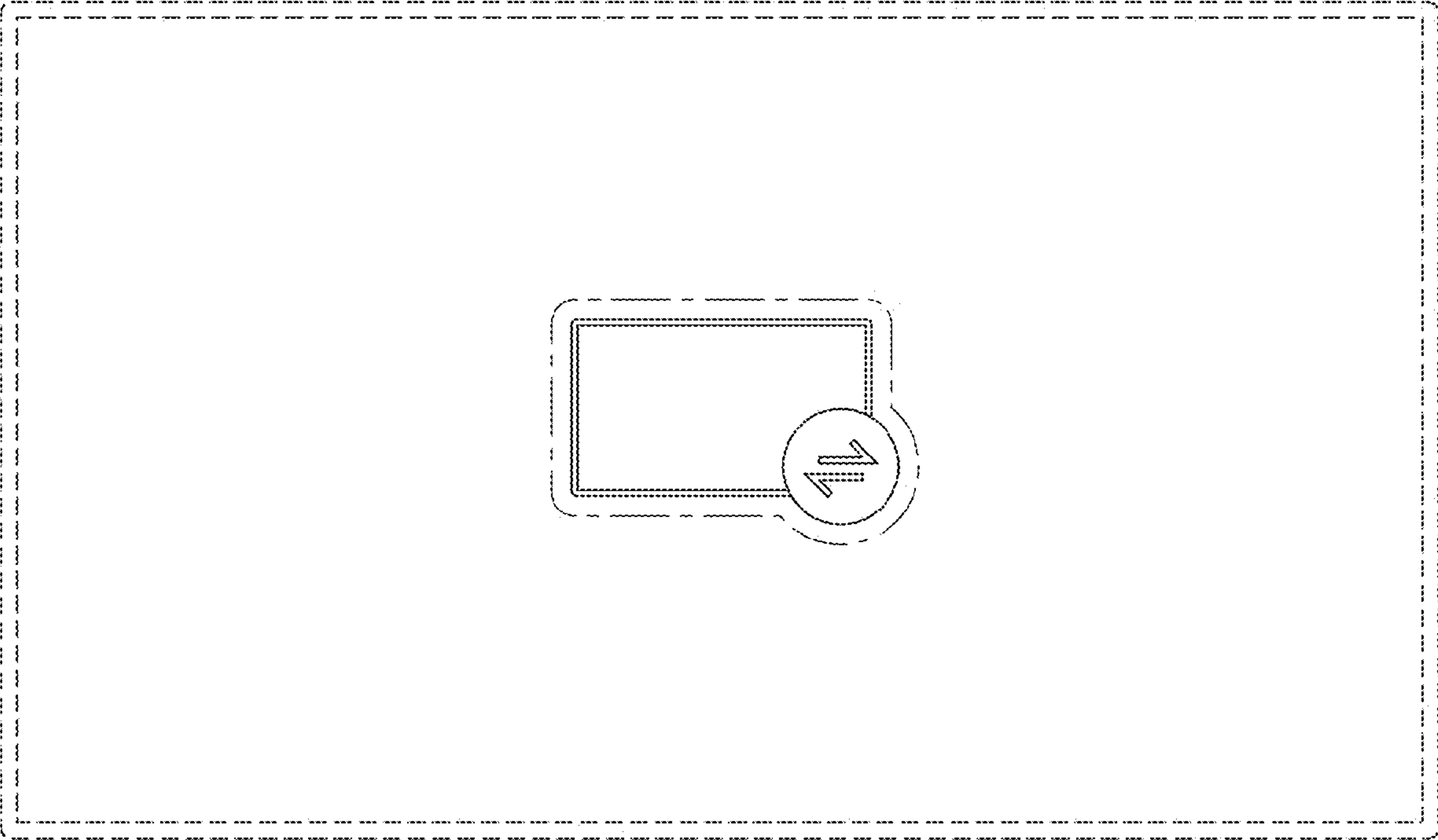


FIG. 2

