



US00D916898S

(12) **United States Design Patent**  
**Inman et al.**

(10) **Patent No.:** **US D916,898 S**  
(45) **Date of Patent:** **\*\* Apr. 20, 2021**

(54) **DISPLAY SCREEN WITH ANIMATED GRAPHICAL USER INTERFACE**

(71) Applicant: **Google LLC**, Mountain View, CA (US)

(72) Inventors: **Rachel Inman**, San Francisco, CA (US); **Jeremy Edelblut**, Mountain View, CA (US); **Joost Korngold**, San Jose, CA (US); **Marek Gorecki**, Los Gatos, CA (US)

(73) Assignee: **Google LLC**, Mountain View, CA (US)

(\*\*) Term: **15 Years**

(21) Appl. No.: **29/698,133**

(22) Filed: **Jul. 15, 2019**

(51) **LOC (13) Cl.** ..... **14-04**

(52) **U.S. Cl.**  
USPC ..... **D14/489**

(58) **Field of Classification Search**  
USPC ..... D14/485-495; D20/10, 11, 22-33, 39, D20/40; D5/20, 26, 30, 40, 63-65  
CPC .... G06F 3/048-04897; G06F 15/0266; G06Q 10/06; G06Q 10/109; G01C 21/36; G08G 1/0962; H04M 1/72519-72561  
See application file for complete search history.

(56) **References Cited**

**U.S. PATENT DOCUMENTS**

- D620,950 S \* 8/2010 Rasmussen ..... D14/489
- D673,580 S \* 1/2013 Doerr ..... D14/489
- D687,056 S \* 7/2013 Matas ..... D14/488
- D697,072 S \* 1/2014 Ouilhet ..... D14/485
- D739,436 S \* 9/2015 Kadosh ..... D14/492
- D752,104 S \* 3/2016 Lee ..... G06F 3/04817  
D14/494
- D760,775 S \* 7/2016 Chen ..... D14/489

- D762,715 S \* 8/2016 Williamson ..... D14/488
- D767,628 S \* 9/2016 Kim ..... D14/492
- D768,149 S \* 10/2016 Engstrand ..... D14/485
- D777,782 S \* 1/2017 Appel ..... D14/490
- D792,896 S \* 7/2017 Yamazaki ..... D14/486
- D797,788 S \* 9/2017 Havranek, Jr. .... D14/488

(Continued)

**OTHER PUBLICATIONS**

Pin Geo Location Isolated Icon Logo, by Zozulinskyi, canstockphoto.com [online], published on Feb. 13, 2019, [retrieved on Aug. 13, 2020], retrieved from the Internet <URL: <https://www.canstockphoto.com/pin-geo-location-isolated-icon-logo-66154292.html>> (Year: 2019).\*

(Continued)

*Primary Examiner* — Ian F Whitmore

(74) *Attorney, Agent, or Firm* — Finnegan, Henderson, Farabow, Garrett & Dunner, LLP

(57) **CLAIM**

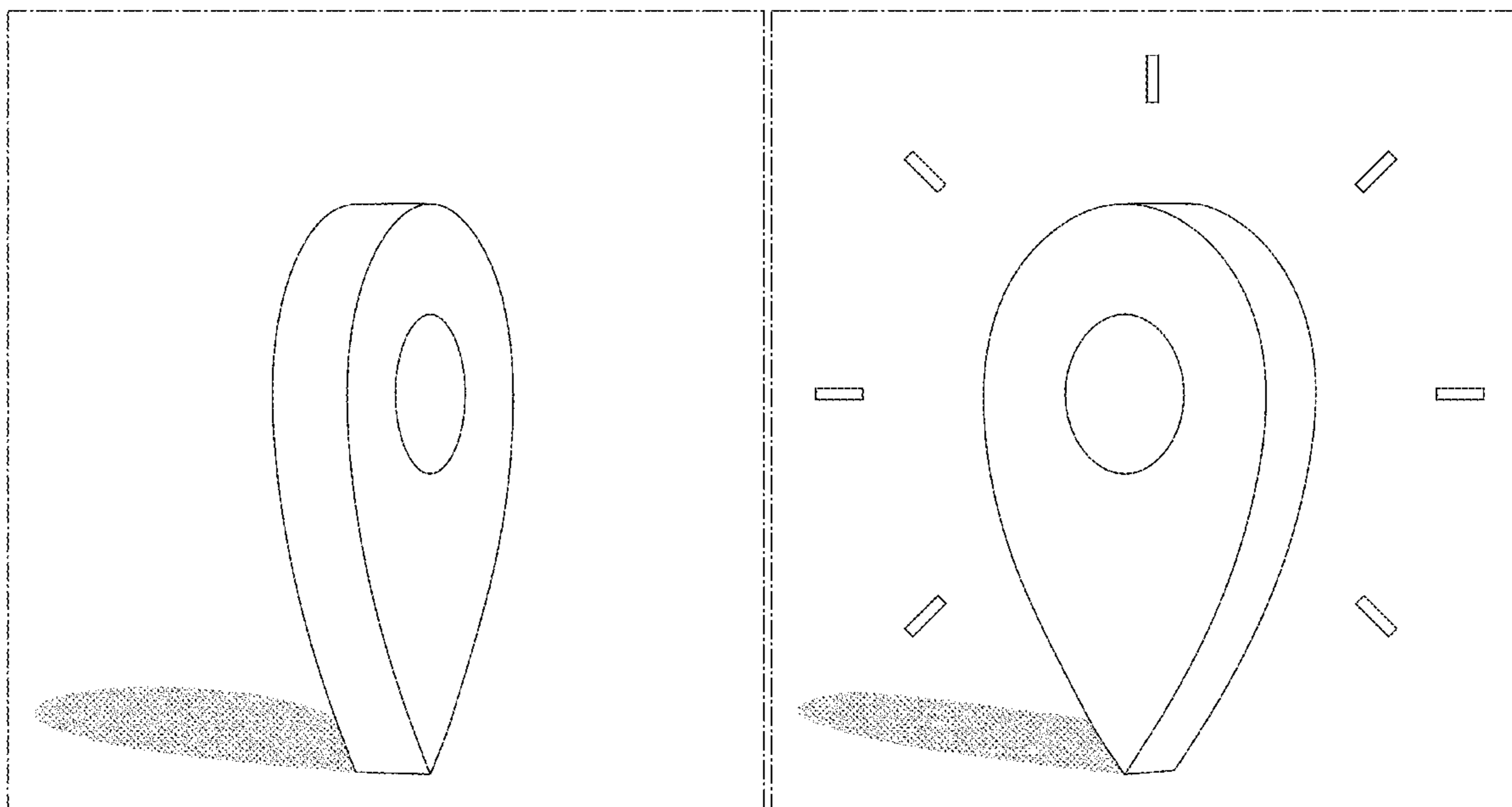
The ornamental design for a display screen with animated graphical user interface, as shown and described.

**DESCRIPTION**

FIG. 1 is a first image in a sequence of a display screen with animated graphical user interface, showing the new design; FIG. 2 is a second image thereof; FIG. 3 is a third image thereof; FIG. 4 is a fourth image thereof; FIG. 5 is a fifth image thereof; FIG. 6 is a sixth image thereof; and, FIG. 7 is a seventh thereof.

The broken lines of uneven length show the display screen and form no part of the claimed design. The appearance of the display screen with animated graphical user interface sequentially transitions between the images shown in FIGS. 1-7. The process or period in which one image transitions to another forms no part of the claimed design.

**1 Claim, 7 Drawing Sheets**



(56)

**References Cited**

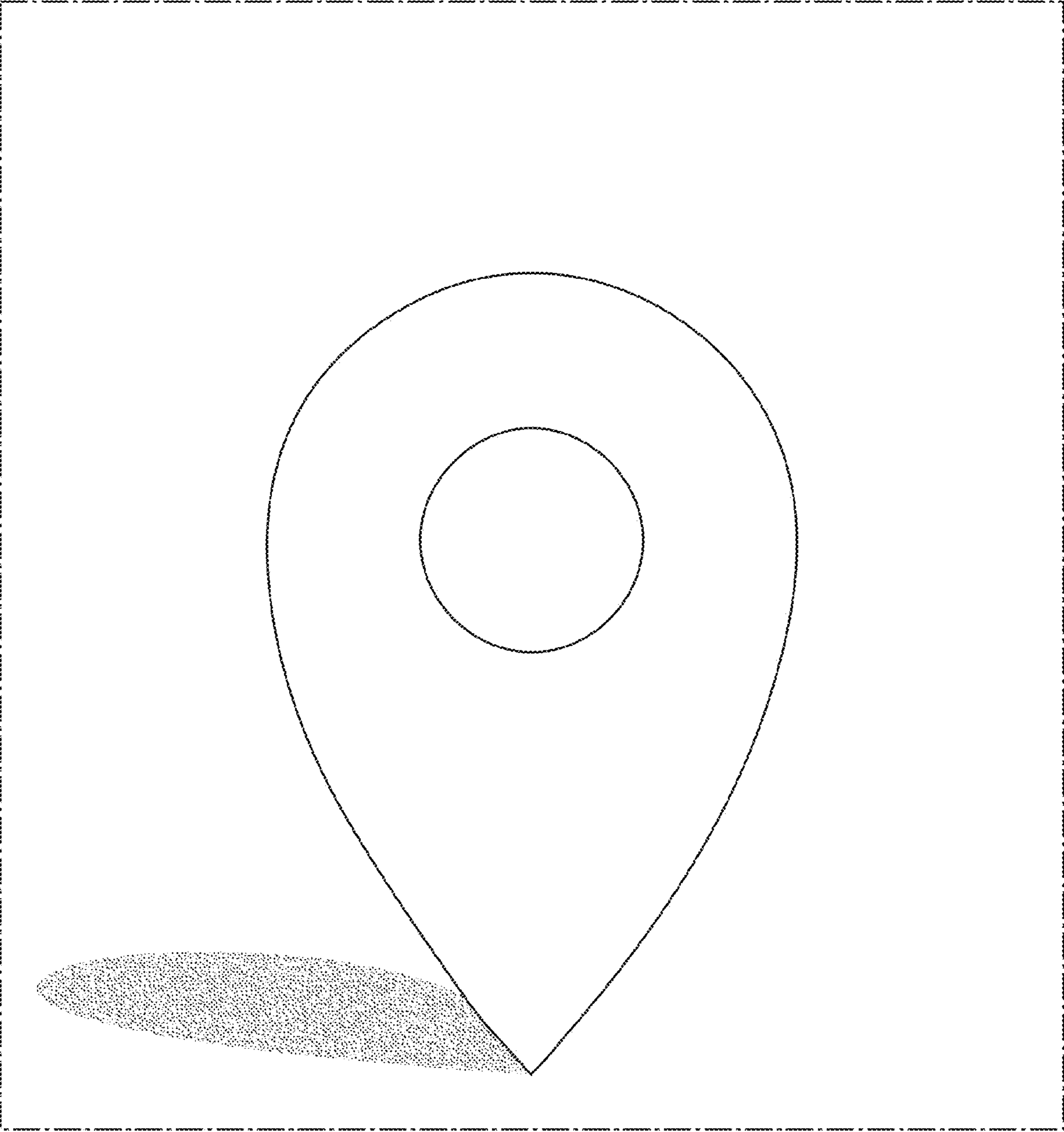
U.S. PATENT DOCUMENTS

D806,111 S \* 12/2017 Wu ..... D14/486  
10,055,184 B1 \* 8/2018 Ferrell ..... G06F 3/0483  
D893,523 S \* 8/2020 Pazmino ..... D14/485  
D894,955 S \* 9/2020 Cazamias ..... D14/489  
D898,752 S \* 10/2020 Lee ..... D14/485

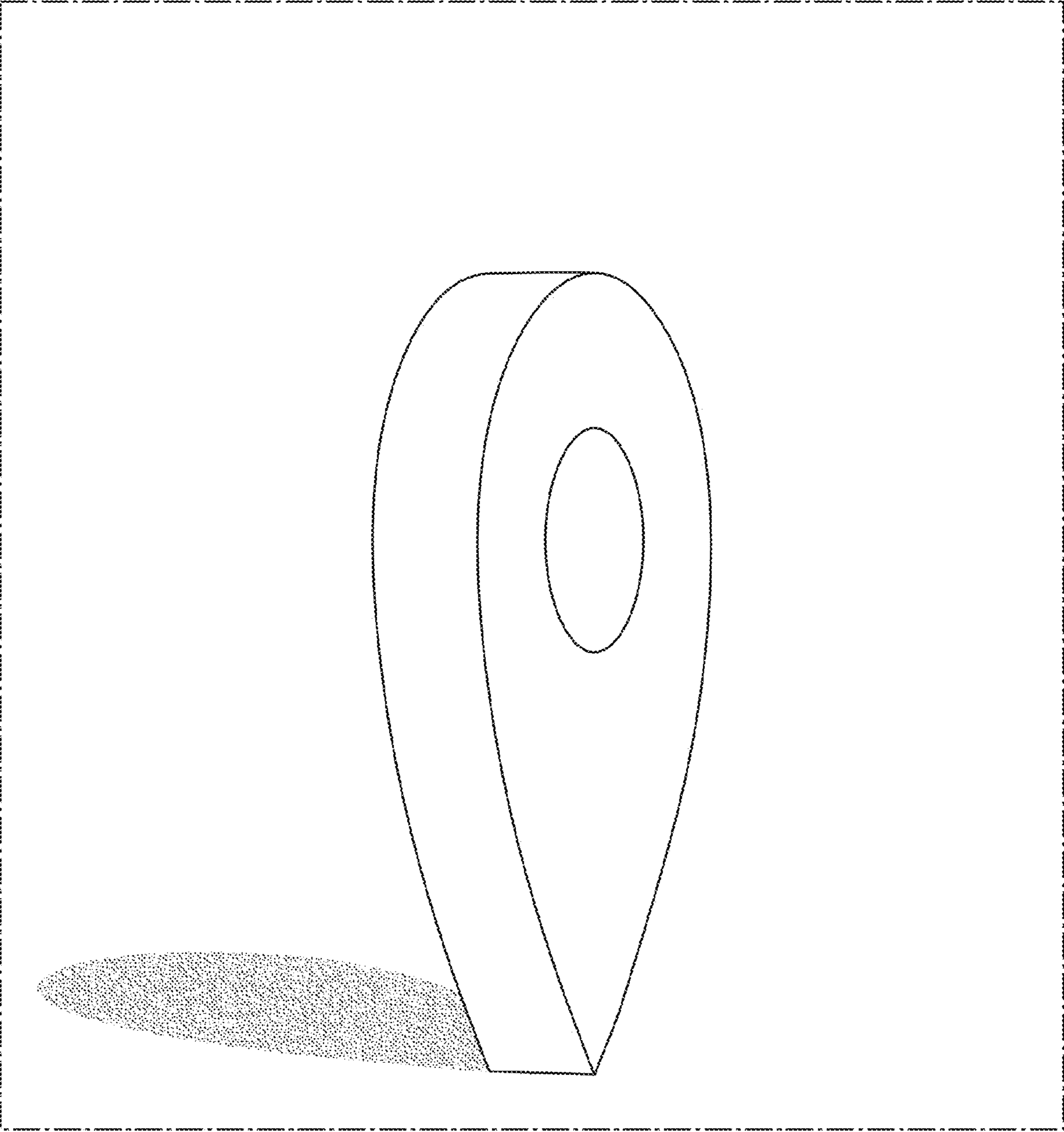
OTHER PUBLICATIONS

Map Pin Green Screen, by HD Green Screen, YouTube [online],  
published on Jan. 5, 2017, [retrieved on Aug. 12, 2020], retrieved  
from the Internet <URL: <https://www.youtube.com/watch?v=w74vTZYm8Xg>> (Year: 2017).\*

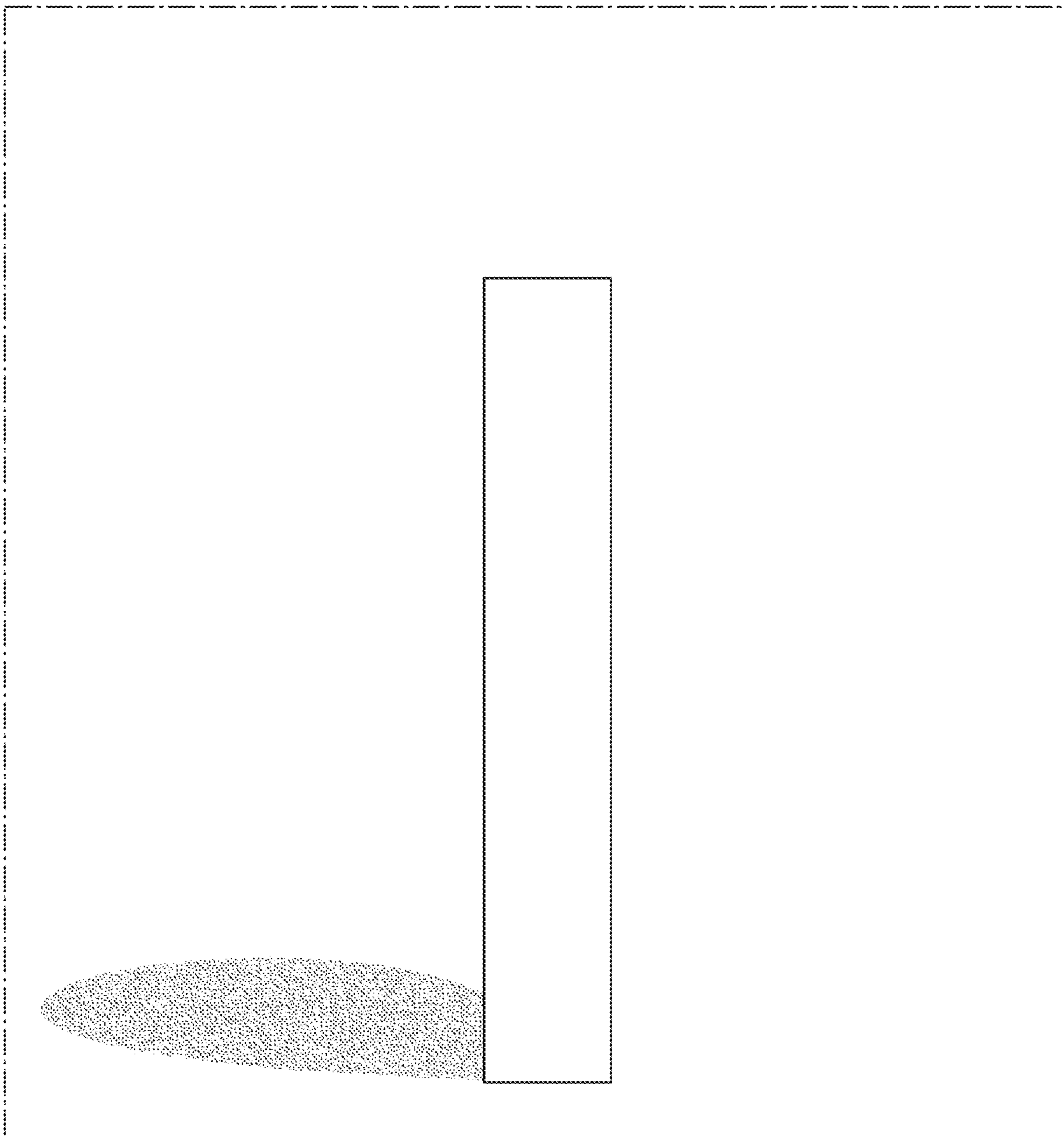
\* cited by examiner



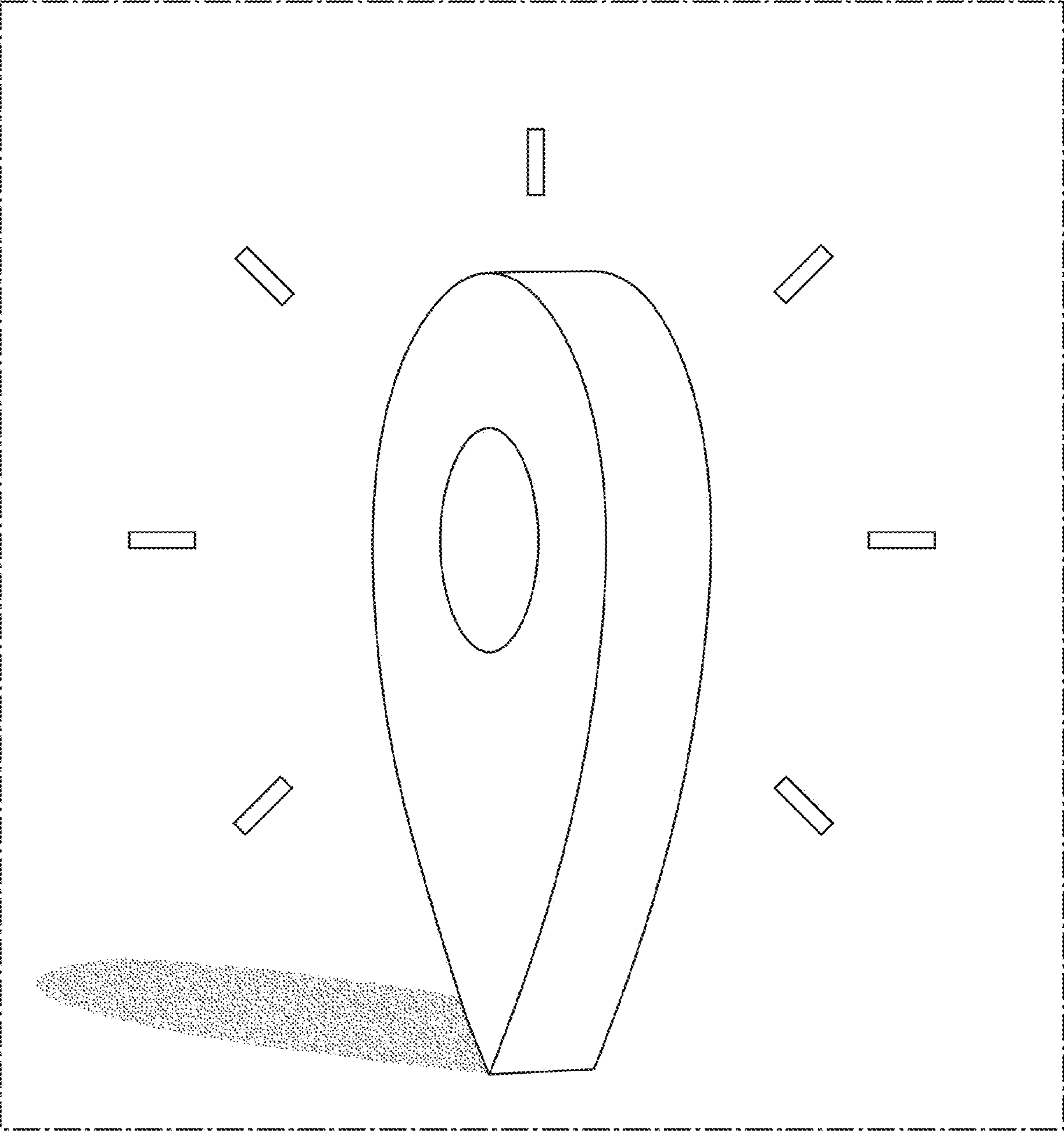
**FIG. 1**



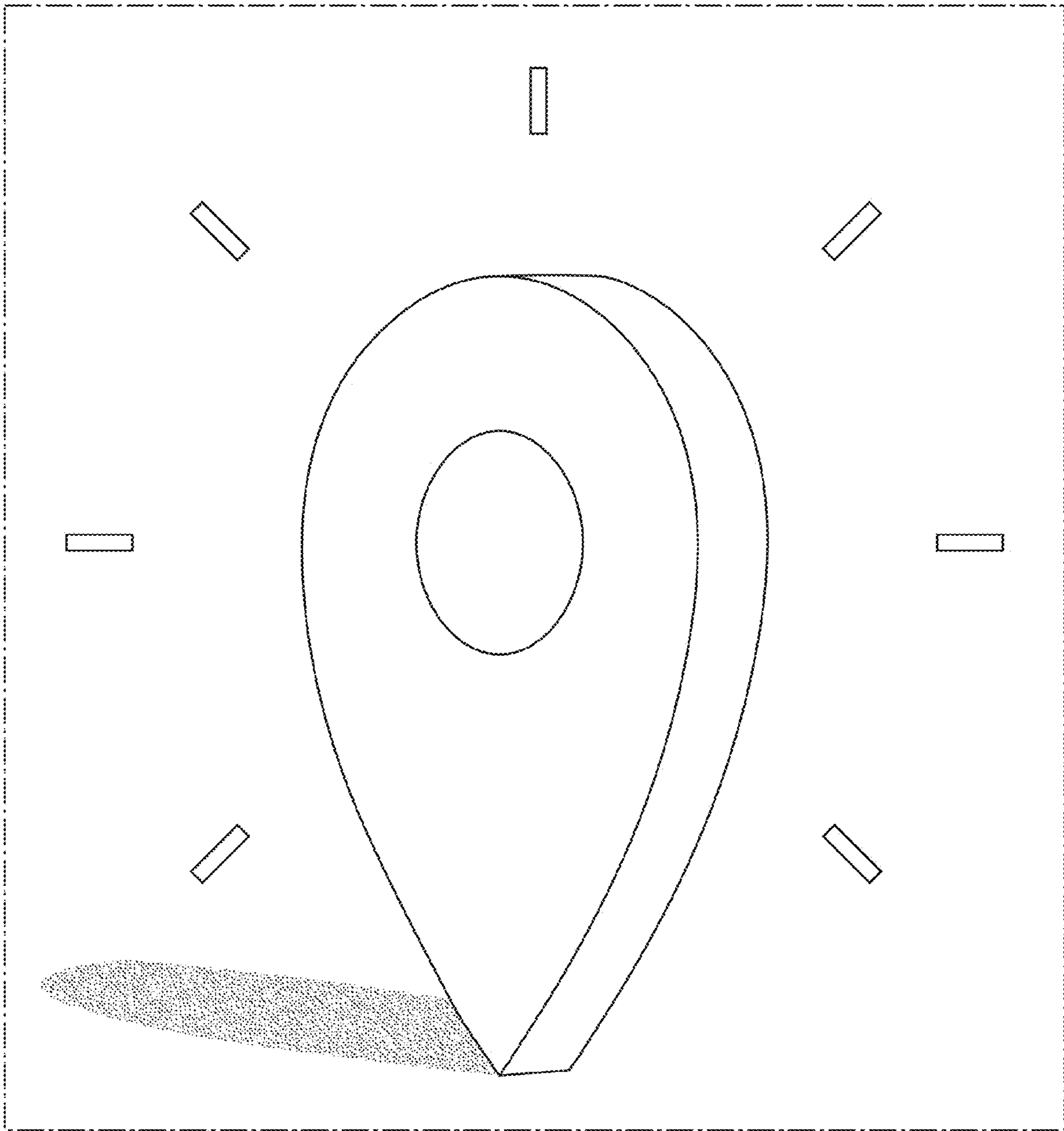
**FIG. 2**



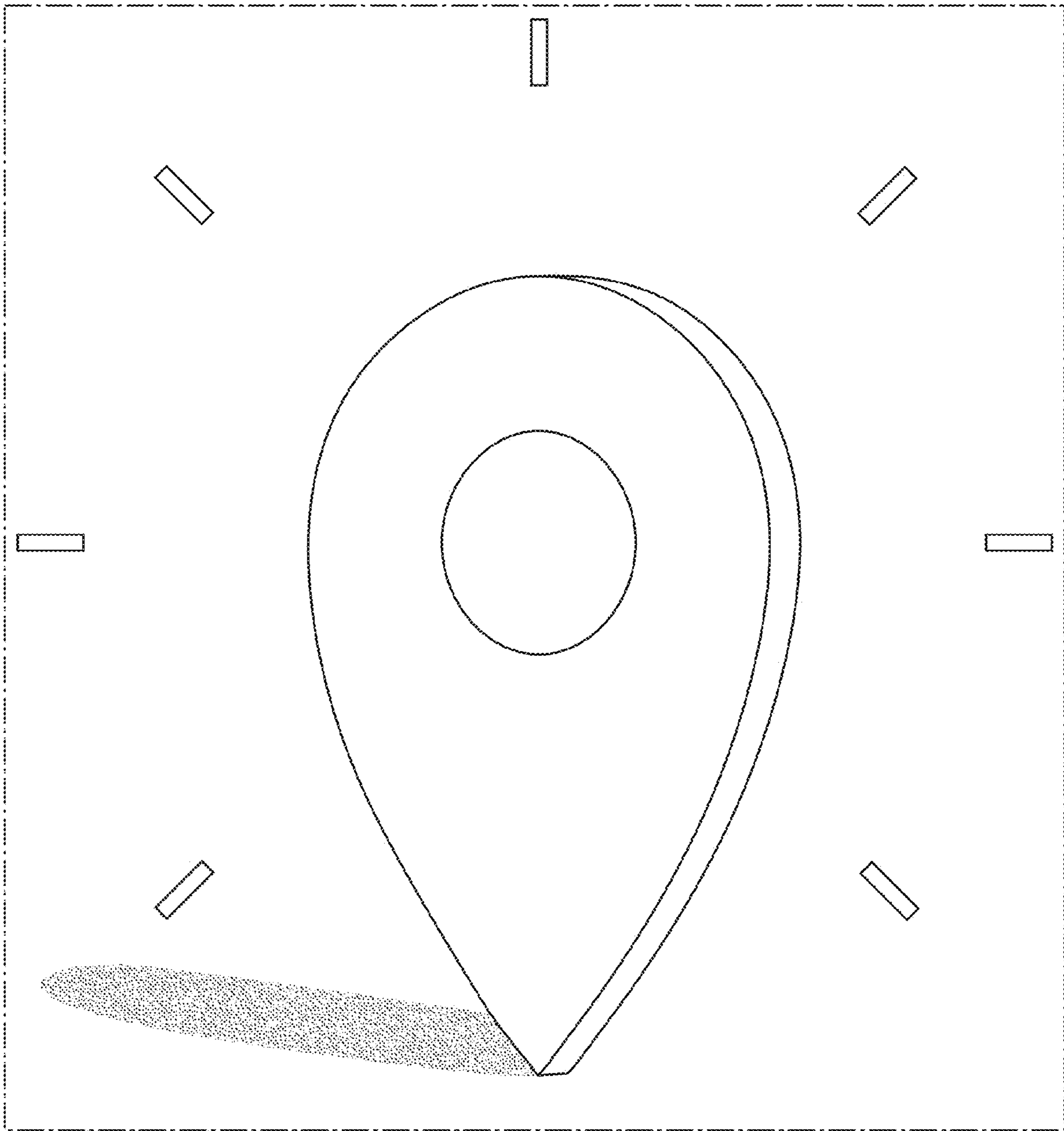
**FIG. 3**



**FIG. 4**

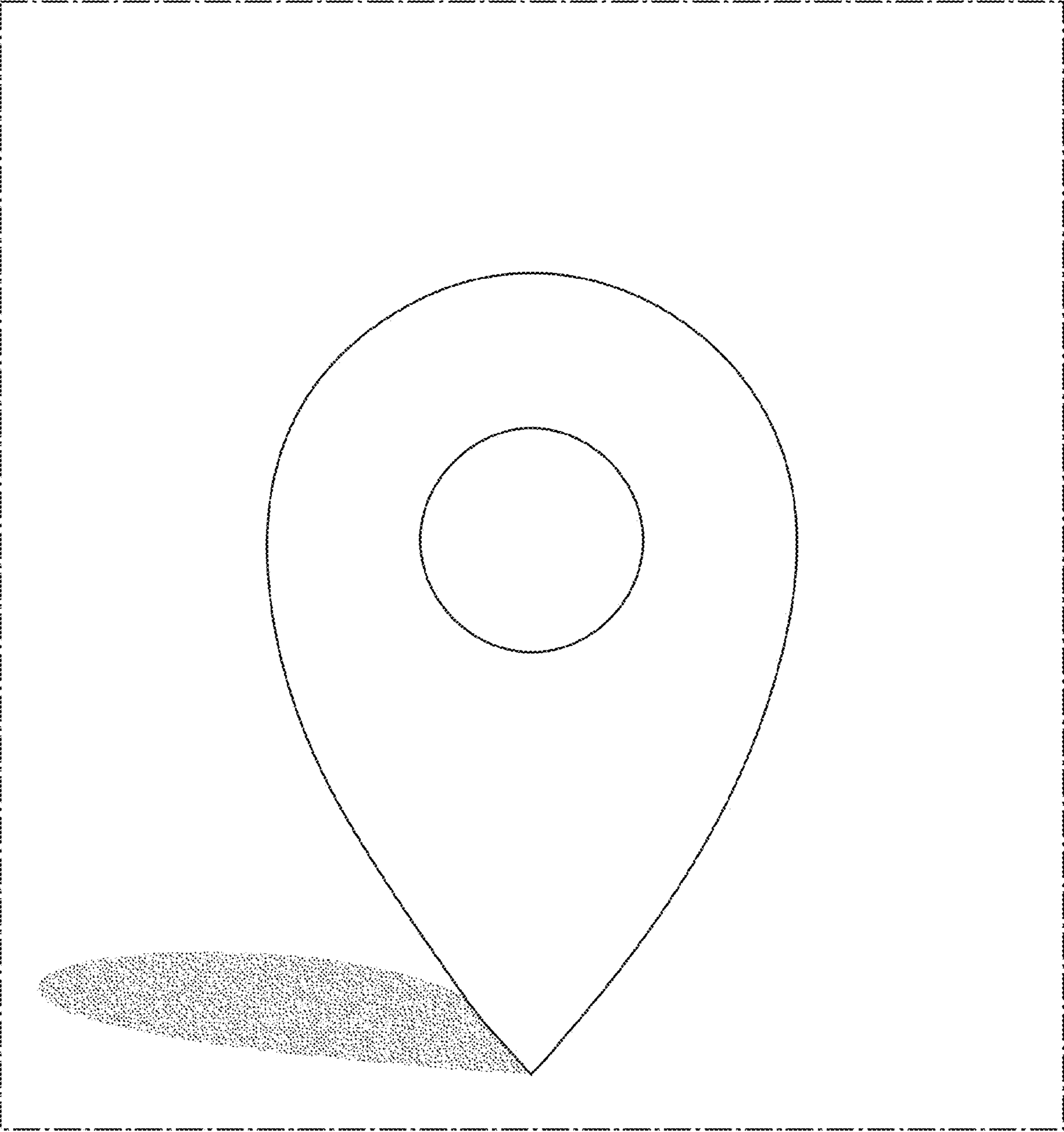


**FIG. 5**



**FIG. 6**





**FIG. 7**