



US00D916895S

(12) **United States Design Patent** (10) **Patent No.:** **US D916,895 S**
Yuk et al. (45) **Date of Patent:** **** Apr. 20, 2021**

(54) **DISPLAY SCREEN OR PORTION THEREOF WITH ICON**

(71) Applicant: **Samsung Electronics Co., Ltd.**, Suwon-si (KR)

(72) Inventors: **Hyun Soo Yuk**, Suwon-si (KR); **Young Sun Kim**, Suwon-si (KR); **Sang Jin Han**, Suwon-si (KR)

(73) Assignee: **Samsung Electronics Co., Ltd.**, Suwon-si (KR)

(**) Term: **15 Years**

(21) Appl. No.: **29/687,807**

(22) Filed: **Apr. 16, 2019**

(30) **Foreign Application Priority Data**

Jan. 31, 2019 (KR) 30-2019-0004919

(51) **LOC (13) Cl.** **14-04**

(52) **U.S. Cl.**
USPC **D14/489**

(58) **Field of Classification Search**
USPC D14/485-495; D20/11; D21/324, 325
CPC G06F 3/048; G06F 3/0481; G06F 3/04817;
G06F 3/0482; G06F 3/04842; G06F 3/0485;
G06F 3/04855; G06F 3/0486; G06F 3/0488;
G06F 3/04886; G06F 9/4443; G06F 17/211; G06F 17/212;
G06Q 10/10

See application file for complete search history.

(56) **References Cited**

U.S. PATENT DOCUMENTS

5,838,050 A * 11/1998 Ker H01L 27/0251
257/401
D444,794 S * 7/2001 Nashida D14/489
D501,210 S * 1/2005 Cook D14/486

D501,484 S * 2/2005 Platz D14/489
D619,614 S * 7/2010 O'Mullan D14/489
D667,842 S * 9/2012 Ouilhet D14/489
D689,904 S * 9/2013 Aoshima D14/489
D697,531 S * 1/2014 Phelan D14/489
D731,543 S * 6/2015 Aoshima D14/491
D748,673 S * 2/2016 Park D14/492
D749,131 S * 2/2016 Peschan D14/491
D757,756 S * 5/2016 Ralphs D14/485
D761,268 S * 7/2016 Oh D14/485

(Continued)

FOREIGN PATENT DOCUMENTS

EM 001396915-0012 1/2014
EM 001396915-0024 1/2014

(Continued)

OTHER PUBLICATIONS

“Camera, croshair, guideline, photo, viewfinder icon” Dec. 17, 2016, posted at iconfinder.com, [site visited Jul. 7, 2020]. https://www.iconfinder.com/icons/1723920/camera_croshair_guideline_photo_viewfinder_icon (Year: 2016).*

(Continued)

Primary Examiner — John M Otte

(74) *Attorney, Agent, or Firm* — NSIP Law

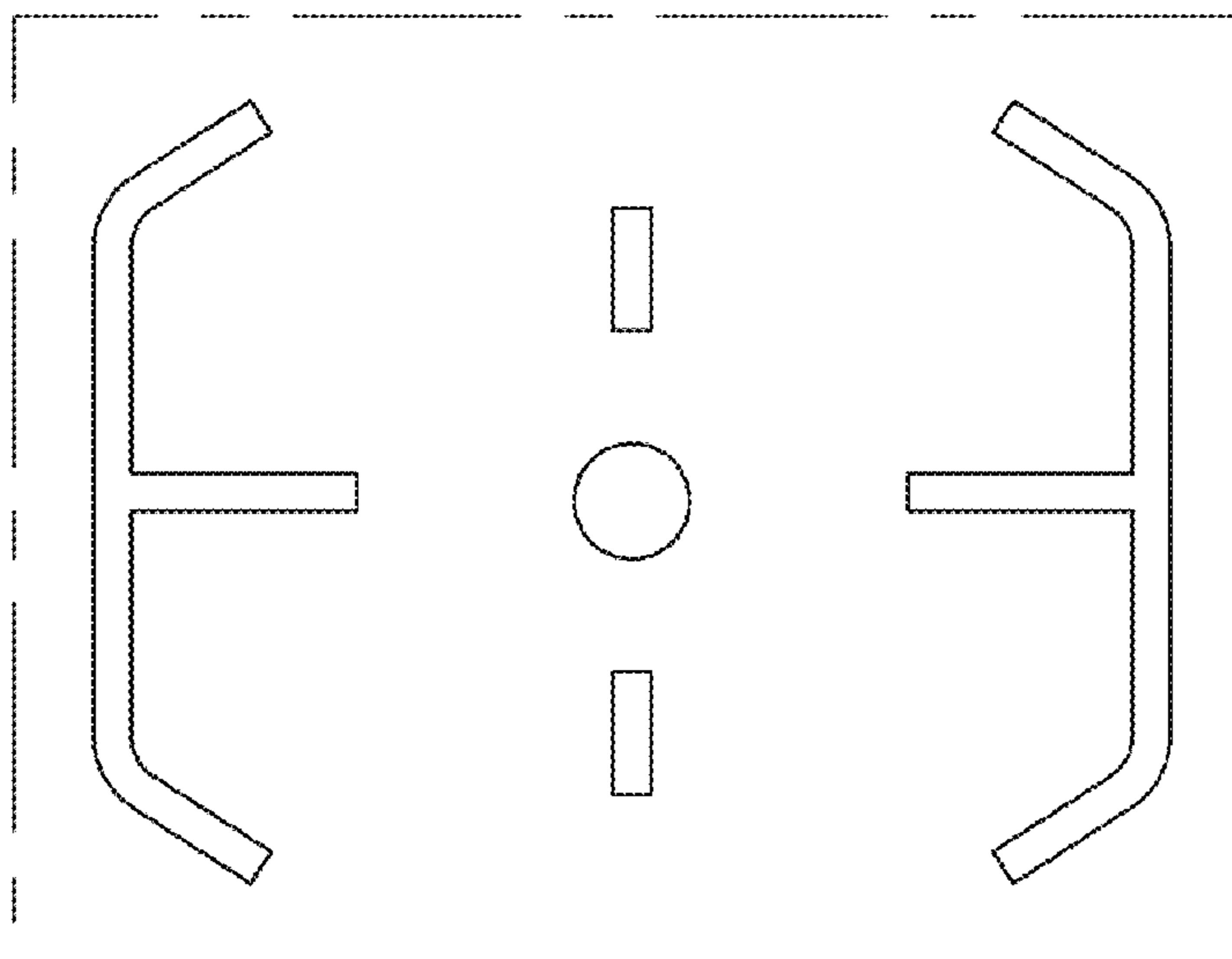
(57) **CLAIM**

We claim the ornamental design for a display screen or portion thereof with icon, as shown and described.

DESCRIPTION

FIG. 1 is a front view of a display screen or portion thereof with icon showing our new design; and, FIG. 2 is an enlarged front view of the icon thereof. The dash-dash broken lines depict a display screen or portion thereof that forms no part of the claimed design. The dot-dash broken lines in the figures illustrate a boundary of the claimed design and form no part thereof.

1 Claim, 2 Drawing Sheets



(56)

References Cited

U.S. PATENT DOCUMENTS

D766,323	S	*	9/2016	Eyal	D14/491
D771,700	S	*	11/2016	Toyoda	D14/489
D788,162	S	*	5/2017	Kim	D14/489
D788,163	S	*	5/2017	Kim	D14/489
D799,498	S	*	10/2017	Graham	D14/485
D818,490	S	*	5/2018	Jang	D14/489
D853,407	S	*	7/2019	Park	D14/485
D864,247	S	*	10/2019	Lebov	D14/491
D865,000	S	*	10/2019	Youngblood	D14/492
D884,002	S	*	5/2020	Bonnevie	D14/485
D888,093	S	*	6/2020	Huft	D14/489
2015/0317356	A1	*	11/2015	Deichler	G06Q 10/10 707/760

FOREIGN PATENT DOCUMENTS

EM	002626648-0018	2/2015
EM	003076694-0039	4/2016
KR	30-2014-0005542	4/2014

OTHER PUBLICATIONS

“Camera, digital, focal, focus, photography, picture, setting, target icon” Oct. 10, 2017, posted at iconfinder.com, [site visited Aug. 19, 2020]. https://www.iconfinder.com/icons/2652935/camera_digital_focal_focus_photography_picture_setting_target_icon (Year: 2017).*

Trademark Registration No. 5689341, Dec. 18, 2018 (publication date), Healthmac Analytics, Inc. (registrant), Trademark Electronic Service System (TESS), (Year: 2018).*

* cited by examiner

FIG. 1

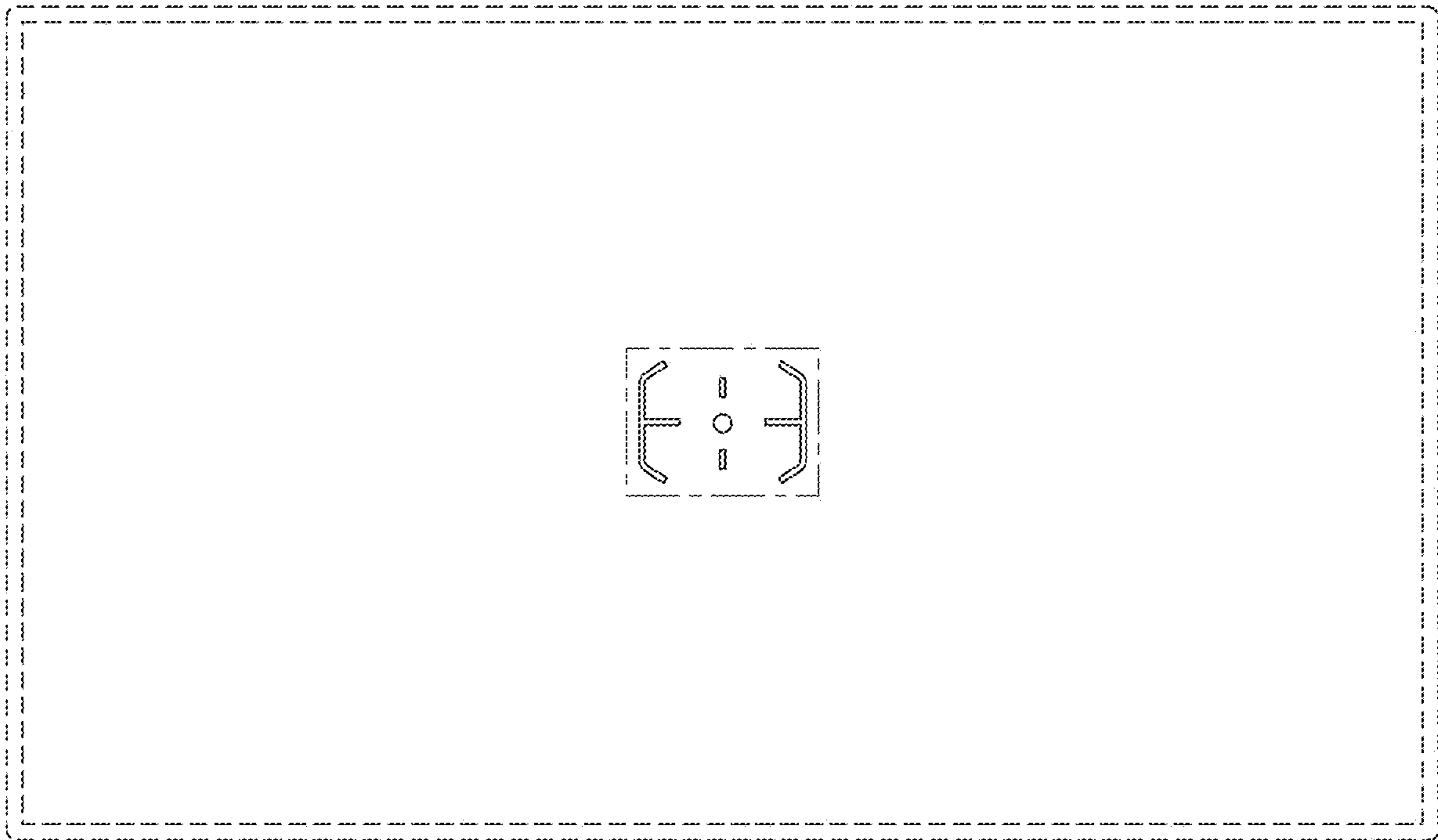


FIG. 2

