



US00D916893S

(12) **United States Design Patent** (10) **Patent No.:** **US D916,893 S**
Lee et al. (45) **Date of Patent:** **** Apr. 20, 2021**

(54) **DISPLAY SCREEN OR PORTION THEREOF WITH ICON**

(71) Applicant: **Samsung Electronics Co., Ltd.**,
Suwon-si (KR)

(72) Inventors: **Seung Min Lee**, Suwon-si (KR); **Hee-Jin Ko**, Suwon-si (KR); **You-Jin Choi**,
Suwon-si (KR)

(73) Assignee: **Samsung Electronics Co., Ltd.**,
Suwon-si (KR)

(**) Term: **15 Years**

(21) Appl. No.: **29/687,641**

(22) Filed: **Apr. 15, 2019**

(30) **Foreign Application Priority Data**

Dec. 20, 2018 (KR) 30-2018-0060491

(51) **LOC (13) Cl.** **14-04**

(52) **U.S. Cl.**
USPC **D14/489**

(58) **Field of Classification Search**
USPC D14/485-495; D20/11; D21/324, 325
CPC G06F 3/048; G06F 3/0481; G06F 3/04817;
G06F 3/0482; G06F 3/0483; G06F
3/04842; G06F 3/0485; G06F 3/04855;
G06F 3/0486; G06F 3/0488; G06F
3/04886; G06F 9/4443; G06F 17/211;
G06F 17/212; G06Q 10/10

See application file for complete search history.

(56) **References Cited**

U.S. PATENT DOCUMENTS

D552,624 S * 10/2007 Pieratt D14/492
D596,190 S * 7/2009 Garcia D14/485
D607,889 S * 1/2010 Poling D14/485
D638,027 S * 5/2011 Towbin D14/488

D677,276 S * 3/2013 Eby D14/492
D682,311 S * 5/2013 Voreis D14/489
8,656,299 B2 * 2/2014 Sugimoto G06F 1/1677
715/776

D700,910 S 3/2014 Schuller et al.
D710,882 S * 8/2014 Francisco D14/489
D730,396 S * 5/2015 Yoo D14/489
D734,763 S * 7/2015 Kim D14/485
D758,385 S * 6/2016 Dong D14/485
D758,431 S * 6/2016 Kim D14/489

(Continued)

FOREIGN PATENT DOCUMENTS

CN 201430403943X 3/2015
EM 001763475-0006 11/2010
EM 003866243-0064 5/2017

OTHER PUBLICATIONS

“Fold, right icon” Aug. 9, 2013, posted at iconfinder.com, [site visited Jul. 1, 2020]. https://www.iconfinder.com/icons/177910/fold_right_icon (Year: 2013).*

(Continued)

Primary Examiner — John M Otte

(74) *Attorney, Agent, or Firm* — NSIP Law

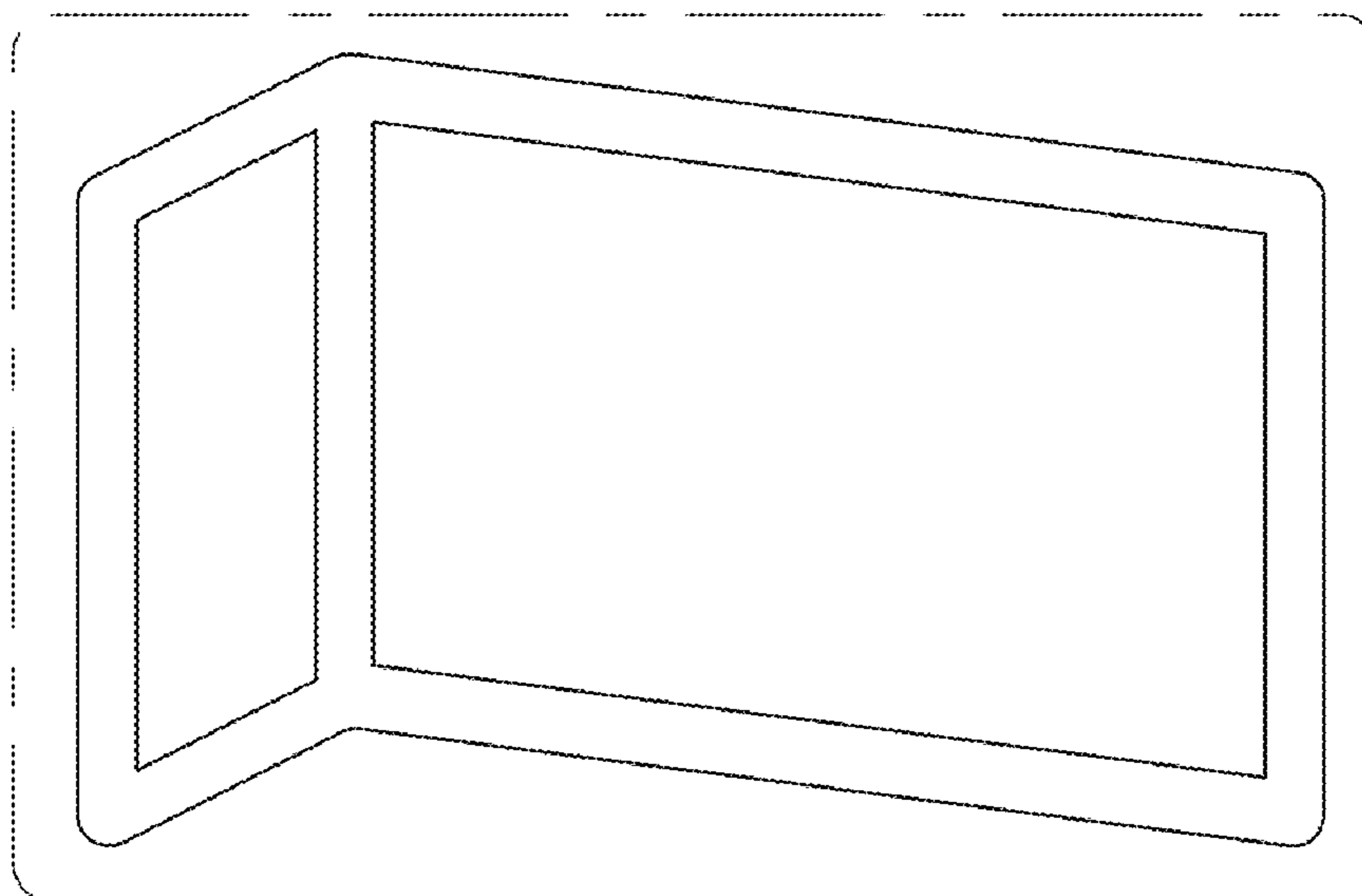
(57) **CLAIM**

We claim the ornamental design for a display screen or portion thereof with icon, as shown and described.

DESCRIPTION

FIG. 1 is a front view of a display screen or portion thereof with icon showing our new design; and,
FIG. 2 is an enlarged front view of the icon thereof.
The dash-dash broken lines depict a display screen or portion thereof that forms no part of the claimed design.
The dot-dash broken lines in the figures illustrate a boundary of the claimed design and form no part thereof.

1 Claim, 2 Drawing Sheets



(56)

References Cited

U.S. PATENT DOCUMENTS

D759,715	S	*	6/2016	Kadosh	D14/489
D772,242	S	*	11/2016	Weskamp	D14/485
D786,928	S	*	5/2017	Lee	D14/492
D789,378	S	*	6/2017	Gottlieb	D14/485
D791,821	S	*	7/2017	Brody	D14/489
D805,104	S	*	12/2017	Hashimoto	D14/489
D857,731	S	*	8/2019	Yang	D14/486
D865,775	S	*	11/2019	Jones	D14/485
D867,393	S	*	11/2019	Lee	D14/489
2011/0107223	A1	*	5/2011	Tilton	G06O 10/10 715/730

OTHER PUBLICATIONS

“Laptop, notebook, office icon” Mar. 23, 2016, posted at iconfinder.com, [site visited Jul. 1, 2020]. https://www.iconfinder.com/icons/1054904/laptop_notebook_office_icon (Year: 2016).*

“Trifolded map free icon” Jul. 15, 2017, posted at flaticon.com, [site visited Jul. 1, 2020]. https://web.archive.org/web/20170715071842/http://www.flaticon.com/free-icon/trifolded-map_73464 (Year: 2017).*

Iconfu. “Cube Icon” [2019] www.iconfu.com Apr. 15, 2019 <https://www.iconfu.com/collections/mono/sets/12-mono_icons/6635-cube_icon>.

* cited by examiner

FIG. 1

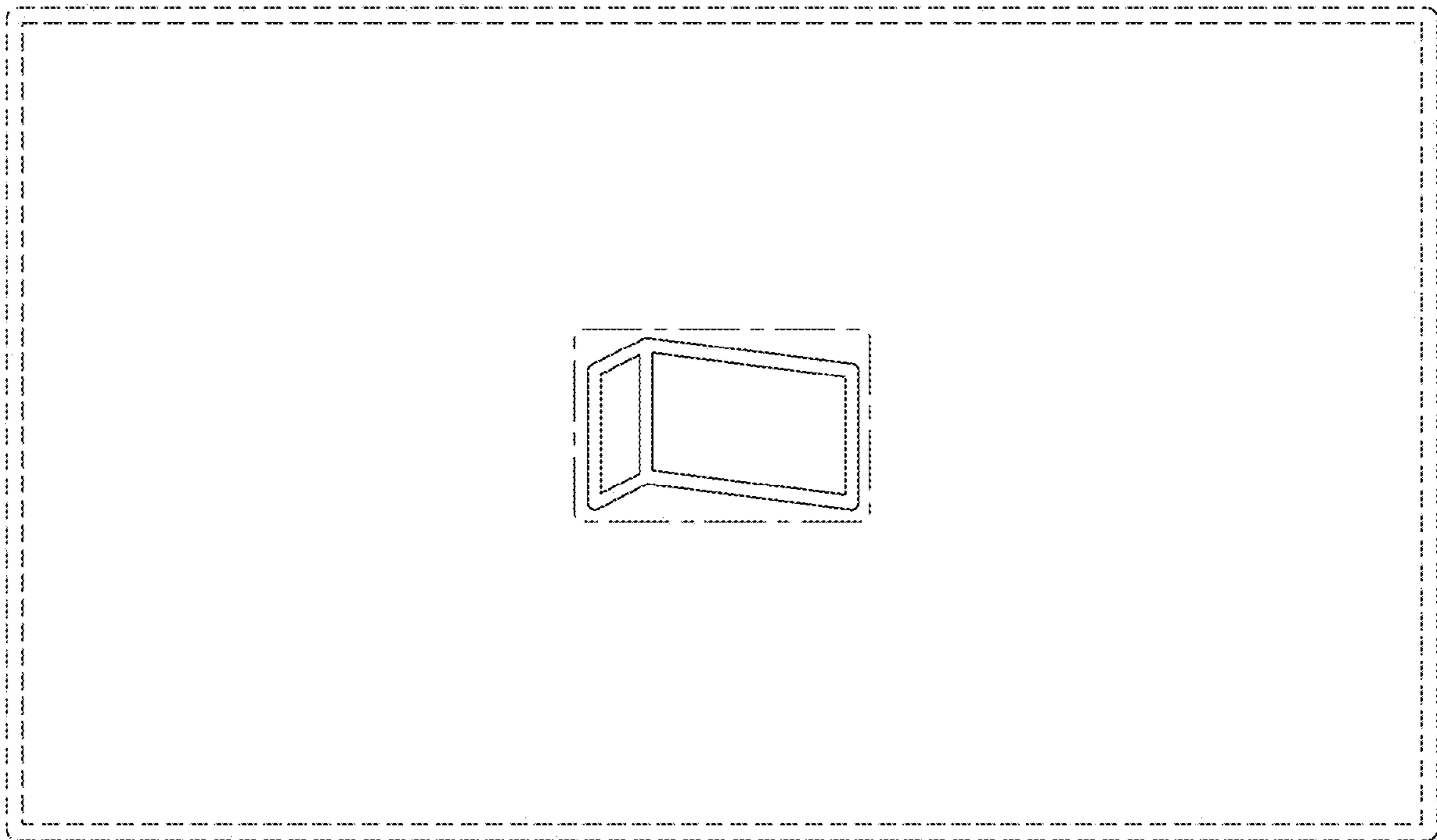


FIG. 2

