



US00D916864S

(12) **United States Design Patent**
Cui et al.

(10) **Patent No.:** **US D916,864 S**

(45) **Date of Patent:** **** Apr. 20, 2021**

(54) **AVIONICS DISPLAY SCREEN WITH A GRAPHICAL USER INTERFACE**

(71) Applicant: **Milton Academy**, Milton, MA (US)

(72) Inventors: **Daming Cui**, Milton, MA (US); **Noah Shane Fuller**, Milton, MA (US); **Sarah Ting-Ting Hsu**, Milton, MA (US); **Patrick Jiacheng Huang**, Milton, MA (US); **Max Hui**, Milton, MA (US); **Bradley Moriarty**, Milton, MA (US)

(73) Assignee: **Milton Academy**, Milton, MA (US)

(**) Term: **15 Years**

(21) Appl. No.: **29/667,060**

(22) Filed: **Oct. 18, 2018**

(51) **LOC (13) Cl.** **14-04**

(52) **U.S. Cl.**
USPC **D14/488**

(58) **Field of Classification Search**

USPC D14/485-495; D20/11; D21/324, 325
CPC G06F 3/048; G06F 3/0481; G06F 3/04817;
G06F 3/0482; G06F 3/0483; G06F 3/04842; G06F 3/0484; G06F 3/0485;
G06F 3/04855; G06F 3/0486; G06F 3/0488; G06F 3/04886; G06F 9/4443;
G06F 17/211; G06F 17/212; F24F 11/30;
B64D 43/00; B60K 35/00; G08G 5/0013;
G08G 5/0021; G06T 15/00; G01C 23/005
See application file for complete search history.

(56) **References Cited**

U.S. PATENT DOCUMENTS

D425,521 S *	5/2000	Hedberg	D14/485
D681,662 S *	5/2013	Fletcher	D14/488
D695,757 S *	12/2013	Ray	D14/486
9,126,694 B2 *	9/2015	Chandrashekarappa	G08G 5/0021
D772,935 S *	11/2016	Gauci	D14/490
D798,311 S *	9/2017	Golden	F24F 11/30
				D14/485

(Continued)

OTHER PUBLICATIONS

“Gyroscopic Instruments (Part One) Attitude and Heading Indicators” Dec. 13, 2005, posted at flightliteracy.com, [site visited Jan. 15, 2020]. https://www.flightliteracy.com/gyroscopic-instruments-part-one-attitude-and-heading-indicators.*

(Continued)

Primary Examiner — John M Otte

(74) *Attorney, Agent, or Firm* — Brian J. Colandro; Jeffrey T. Placker; Holland & Knight LLP

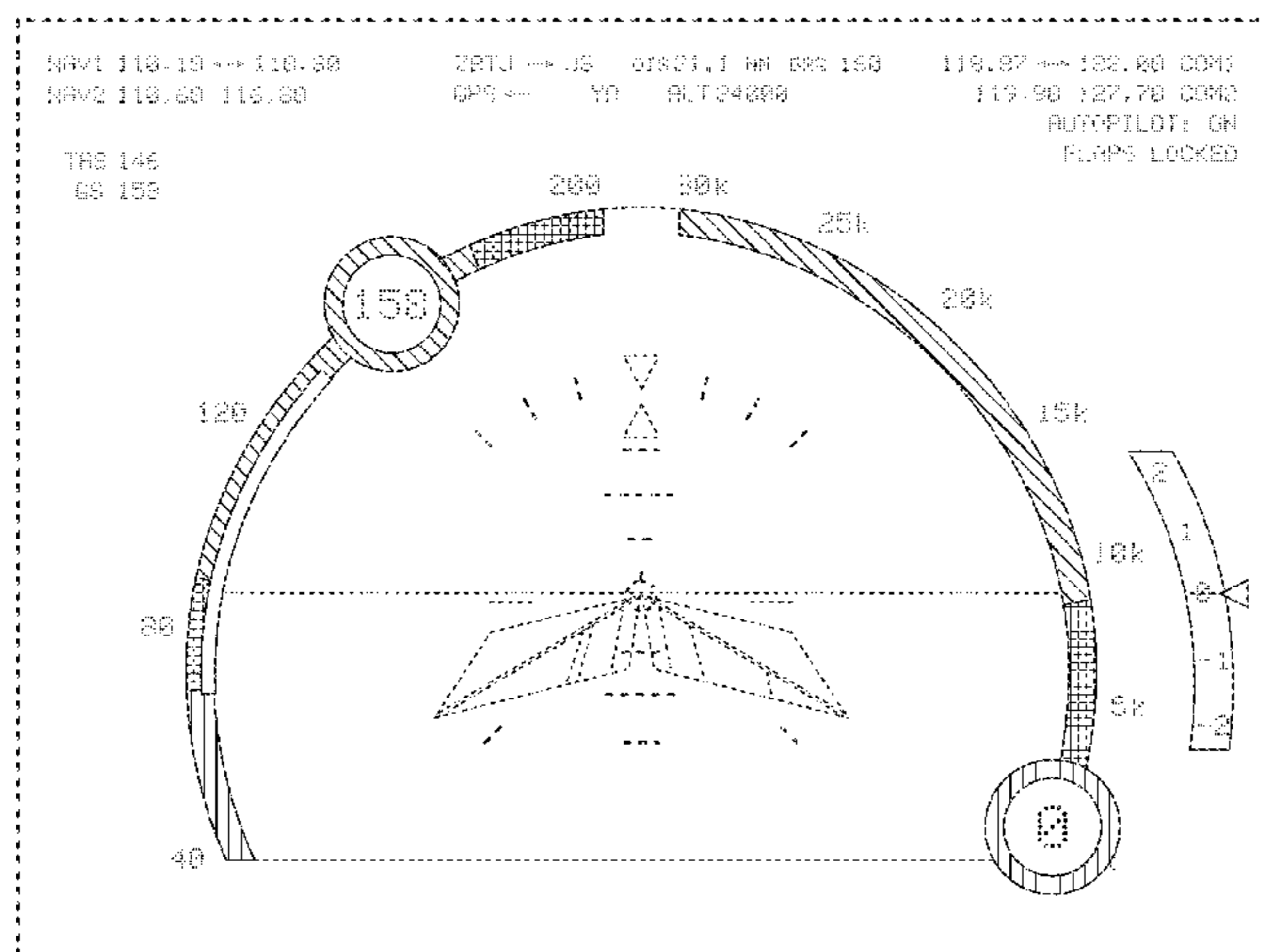
(57) **CLAIM**

The ornamental design for a avionics display screen with a graphical user interface, as shown and described.

DESCRIPTION

FIG. 1 is a front view of a first embodiment of a avionics display screen with a graphical user interface; FIG. 2 is a front view of a second embodiment thereof; FIG. 3 is a front view of a third embodiment thereof; FIG. 4 is a front view of a fourth embodiment thereof; FIG. 5 is a front view of a fifth embodiment thereof; FIG. 6 is a front view of a sixth embodiment thereof; FIG. 7 is a front view of a seventh embodiment thereof; FIG. 8 is a front view of an eighth embodiment thereof; and, FIG. 9 is a front view of a ninth embodiment thereof. Elements of the claimed design represented by different cross-hatching styles, outlining, broken-line styles including dotted and dashed lines of all values, and/or grayscale tonal values in the black and white drawings indicate a contrast in appearance. The broken lines are included for the purpose of illustrating portions of the avionics display screen with a graphical user interface that form no part of the claimed design.

1 Claim, 9 Drawing Sheets



(56)

References Cited

U.S. PATENT DOCUMENTS

D800,778 S * 10/2017 Oh D14/492
 D802,611 S * 11/2017 Mangold D14/486
 D804,502 S * 12/2017 Amini D14/486
 D808,983 S * 1/2018 Narinedhat D14/485
 D811,425 S * 2/2018 Olsen D14/486
 D824,401 S * 7/2018 Ali D14/485
 D829,739 S * 10/2018 Lavin, Jr. D14/486
 D838,731 S * 1/2019 Pillalamarri D14/485
 D857,749 S * 8/2019 Brinker D14/492
 D861,720 S * 10/2019 Koller D14/486
 D863,326 S * 10/2019 Weilandt D14/485
 D869,477 S * 12/2019 Yoon D14/485
 D869,482 S * 12/2019 Ueno D14/485
 D872,120 S * 1/2020 Hicks D14/488
 2010/0023865 A1* 1/2010 Fulker G06F 3/04817
 715/734
 2015/0019047 A1* 1/2015 Chandrashekarappa
 B64D 43/00
 701/3

2015/0352952 A1* 12/2015 Kneuper B60K 35/00
 701/36
 2017/0083206 A1* 3/2017 He G06T 15/00
 2017/0168658 A1* 6/2017 Lacko G01C 23/005
 2019/0096267 A1* 3/2019 Shamasundar G08G 5/0013

OTHER PUBLICATIONS

Pettit, Karlene, "A330 Systems . . . Zero Flaps" May 28, 2013, posted at karlenepettit.blogspot.com, [site visited Jan. 15, 2020]. <https://karlenepettit.blogspot.com/2013/05/a330-systems-zero-flaps.html>.
 Pettit, K., "A330 Systems . . . Zero Flaps" May 28, 2013, posted at karlenepettit.blogspot.com, [site visited Jan. 15, 2020]. <https://karlenepettit.blogspot.com/2013/05/a330-systems-zero-flaps.html>.
 Non-Final Office Action issued in counterpart U.S. Appl. No. 29/567,058 dated Jan. 21, 2020.

* cited by examiner

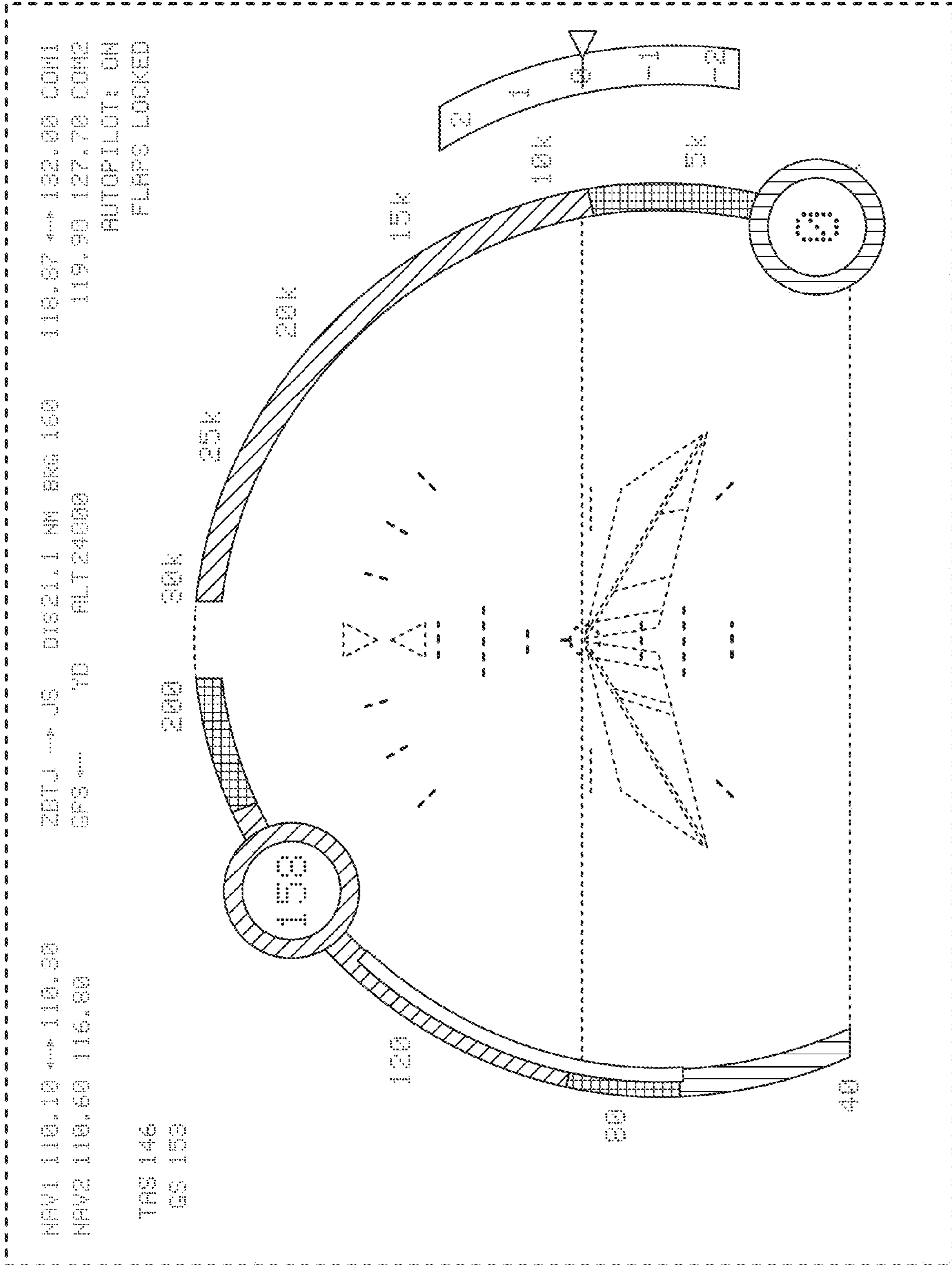


FIG. 1

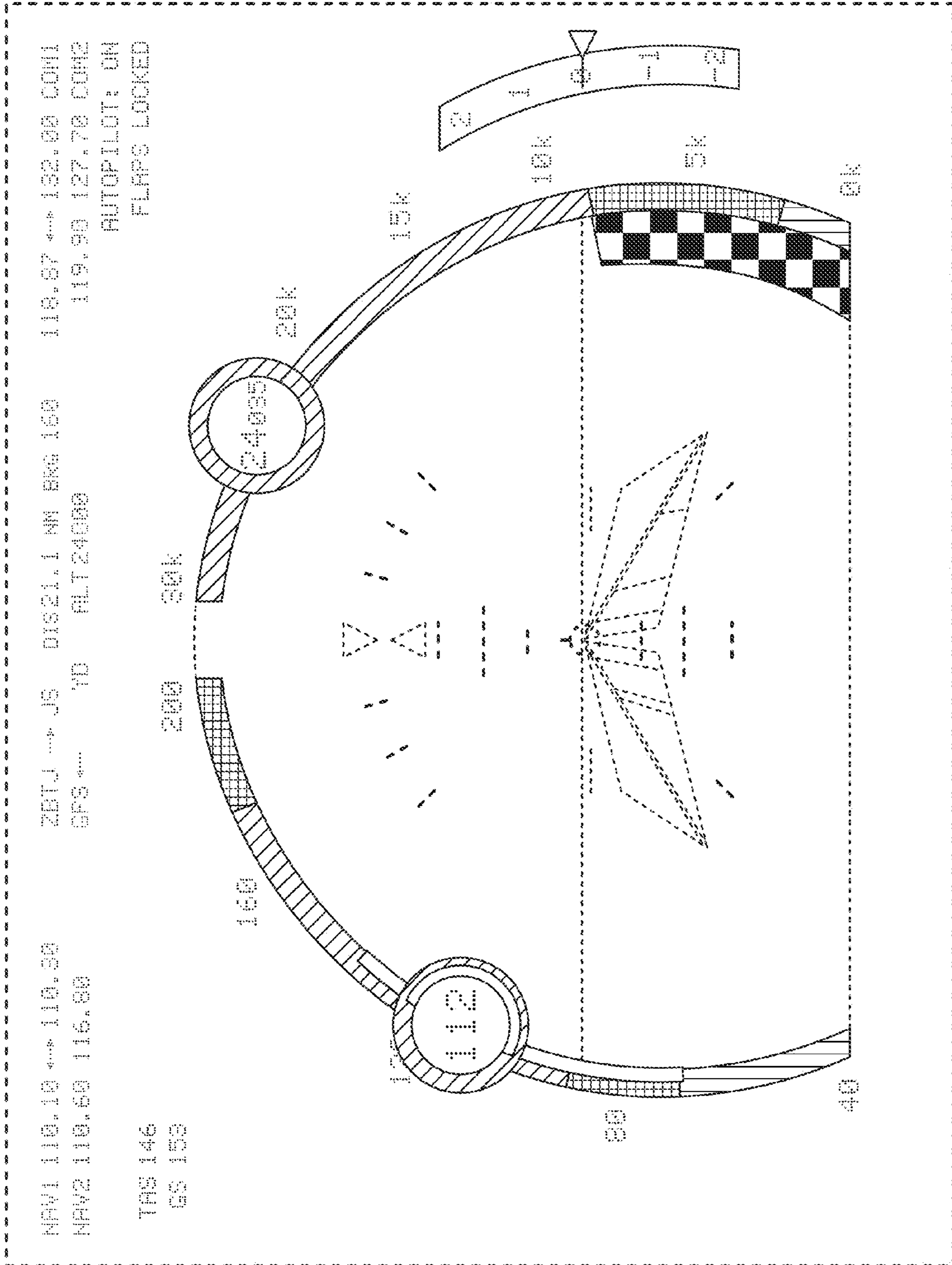


FIG. 2

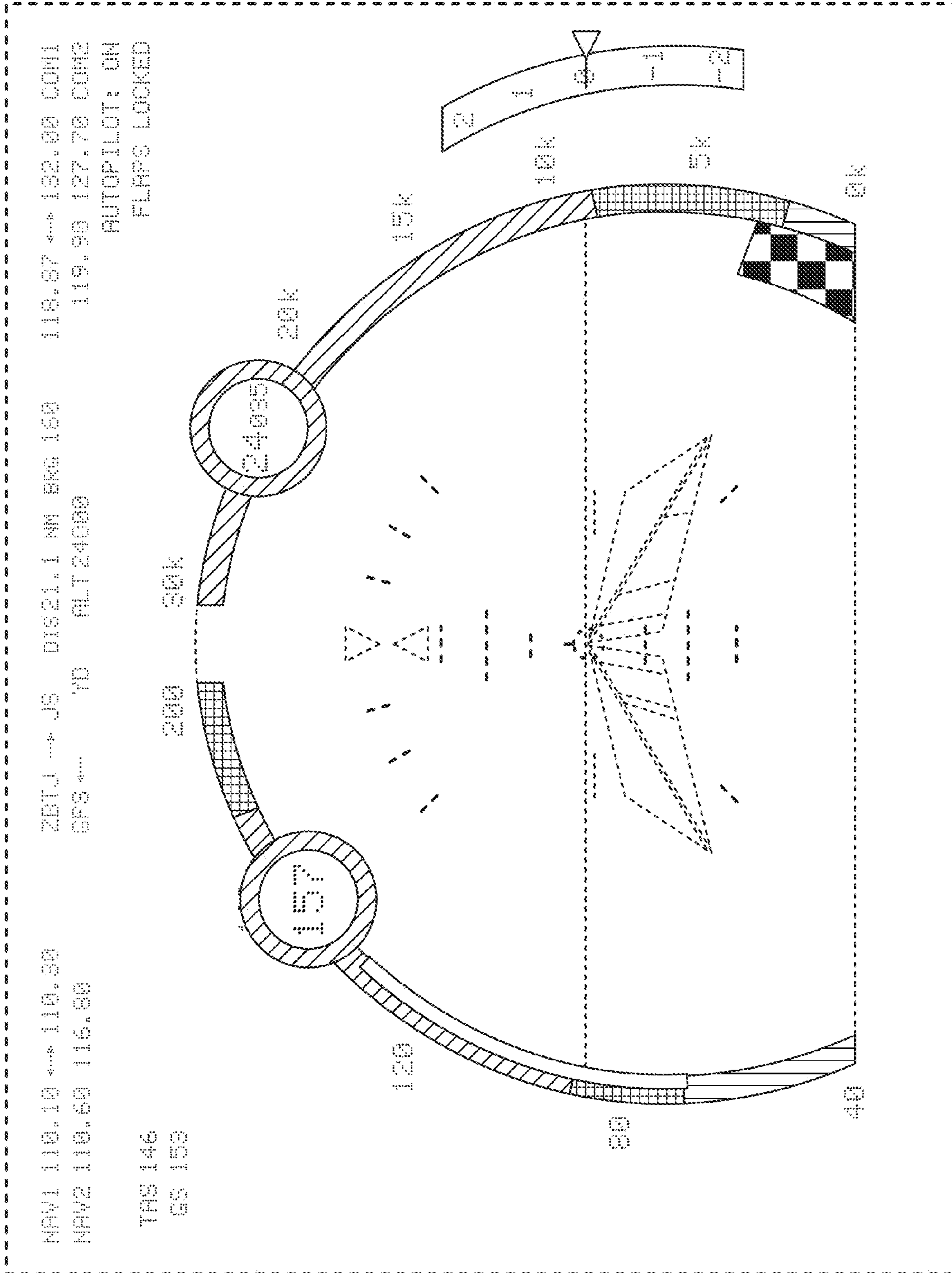


FIG. 3

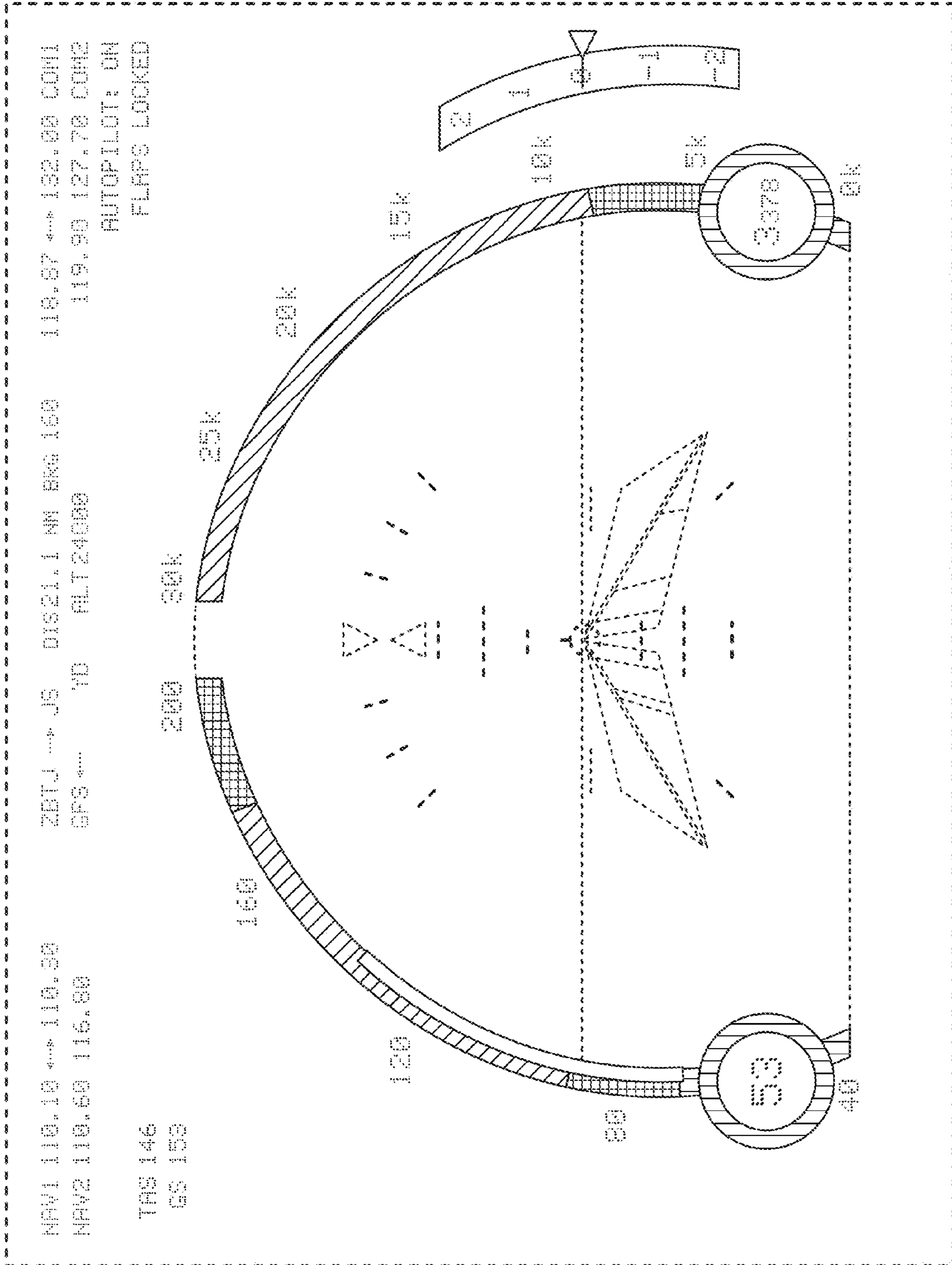


FIG. 4

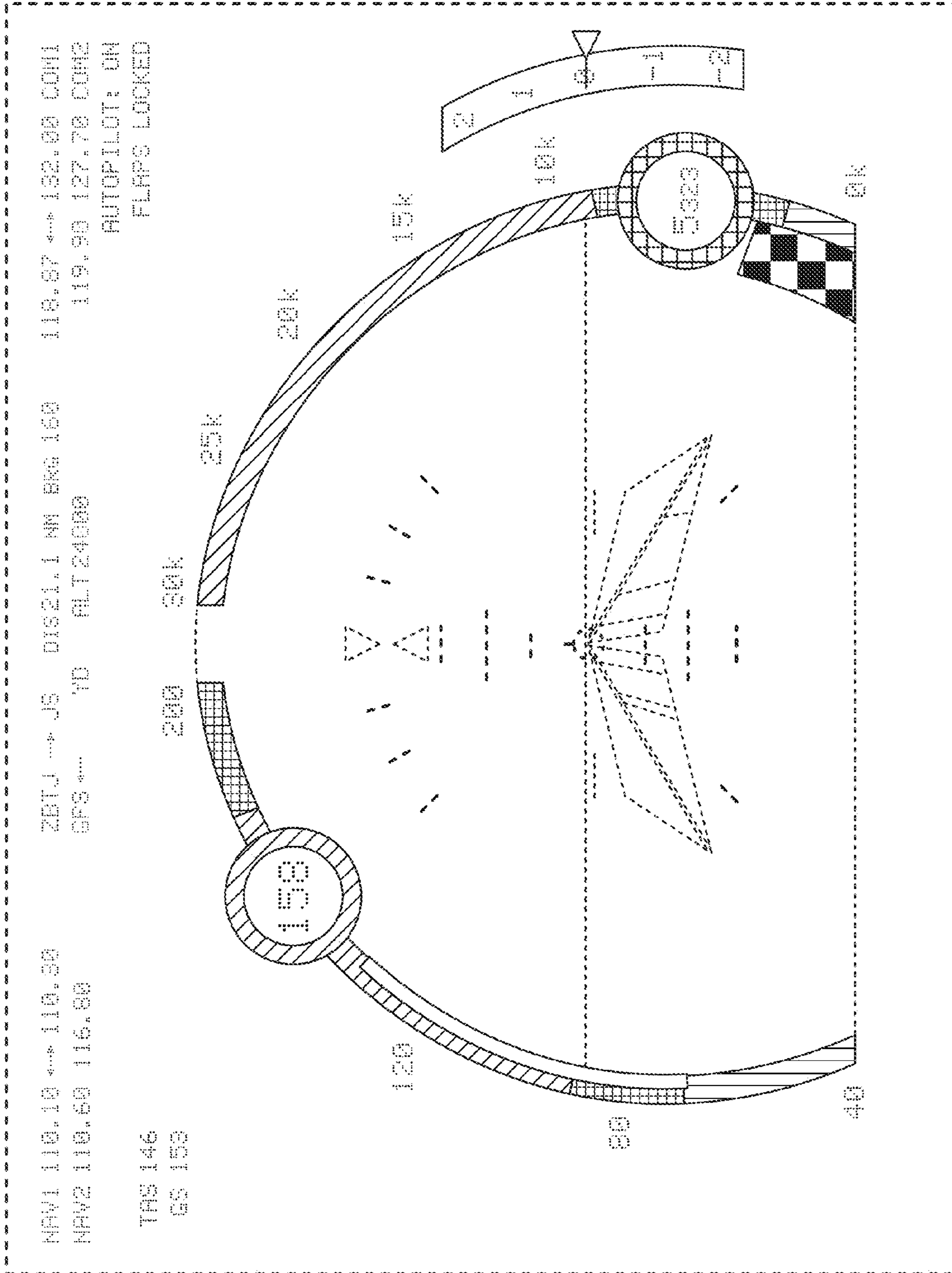


FIG. 5

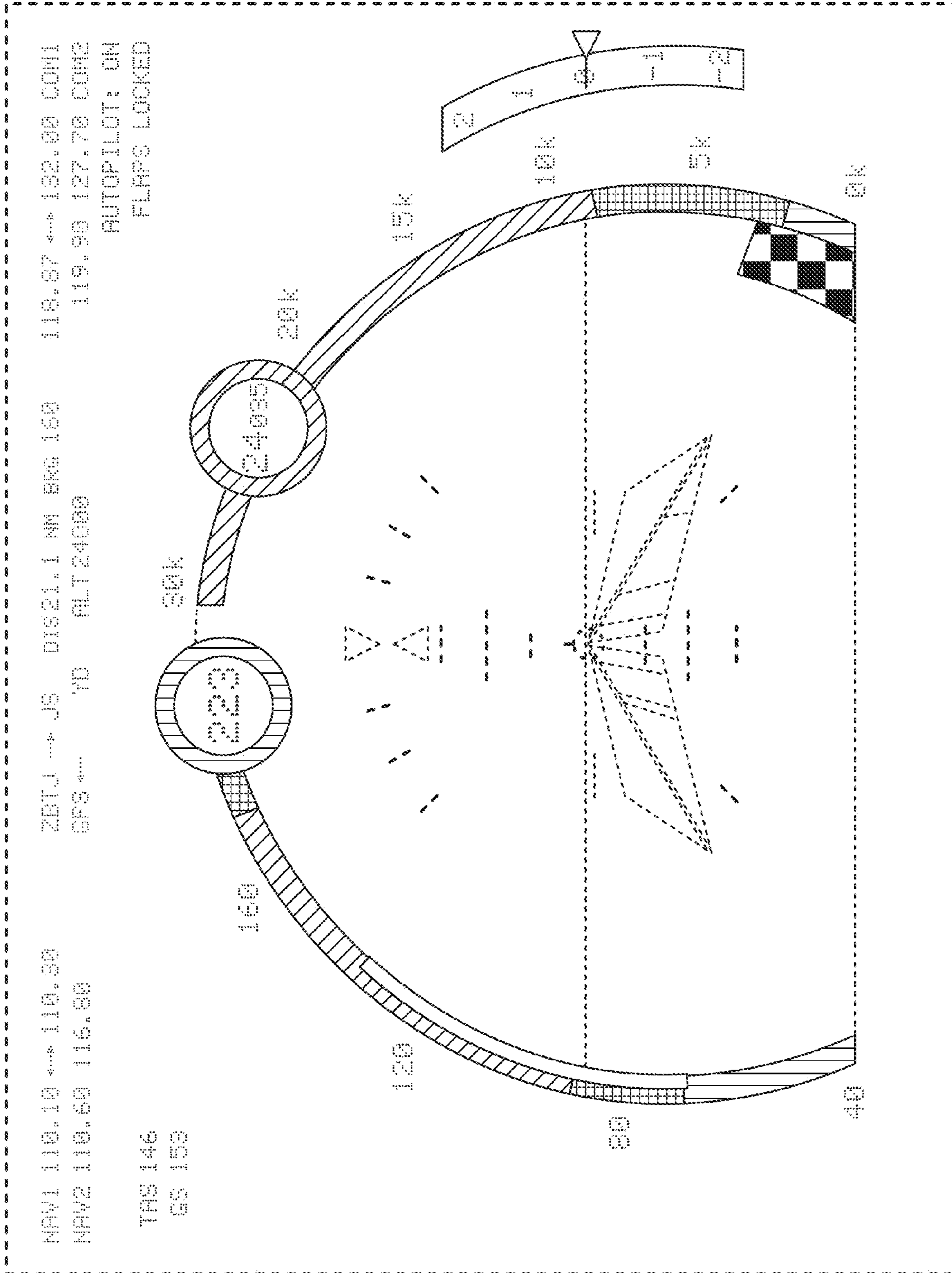


FIG. 6

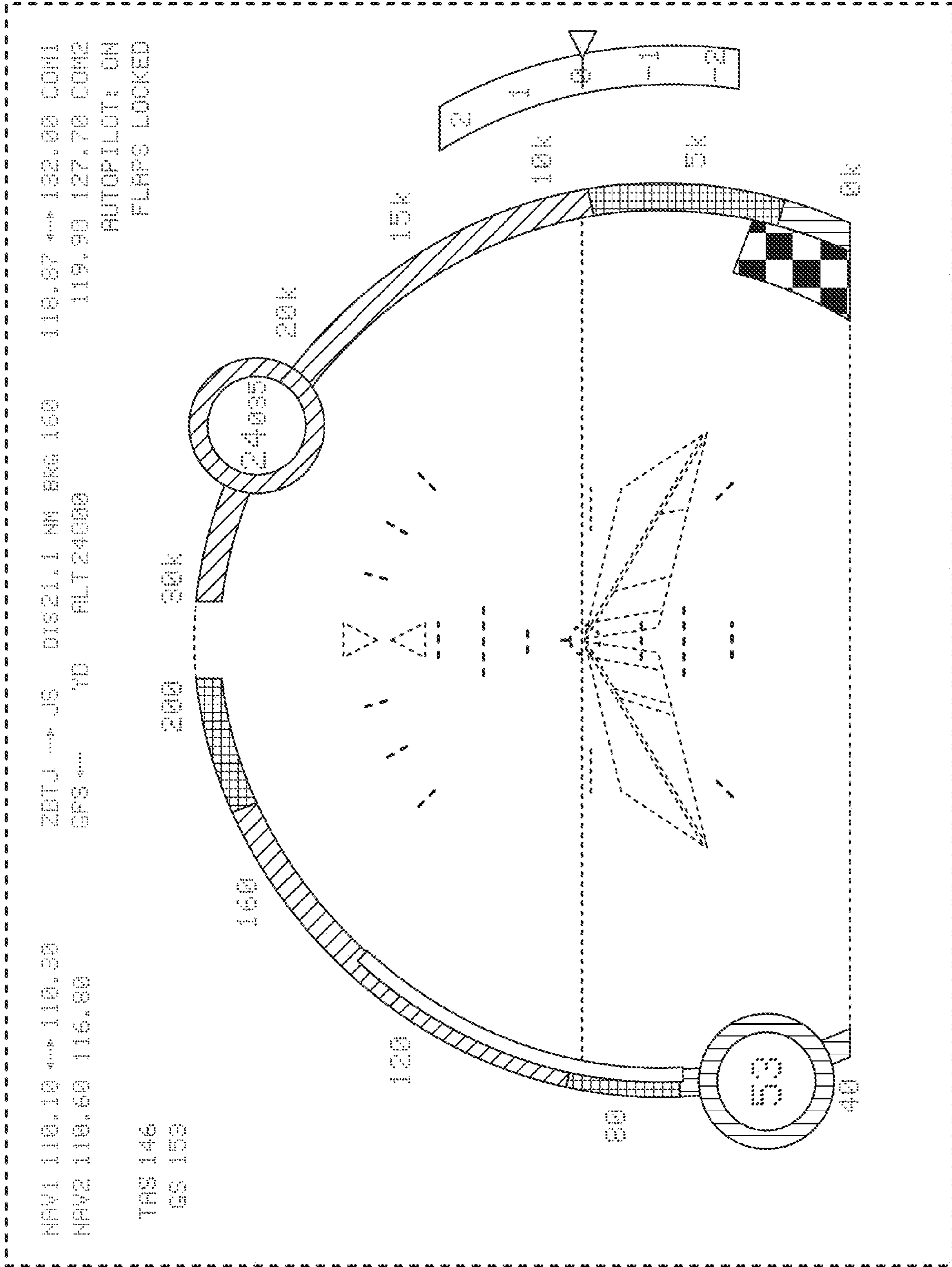
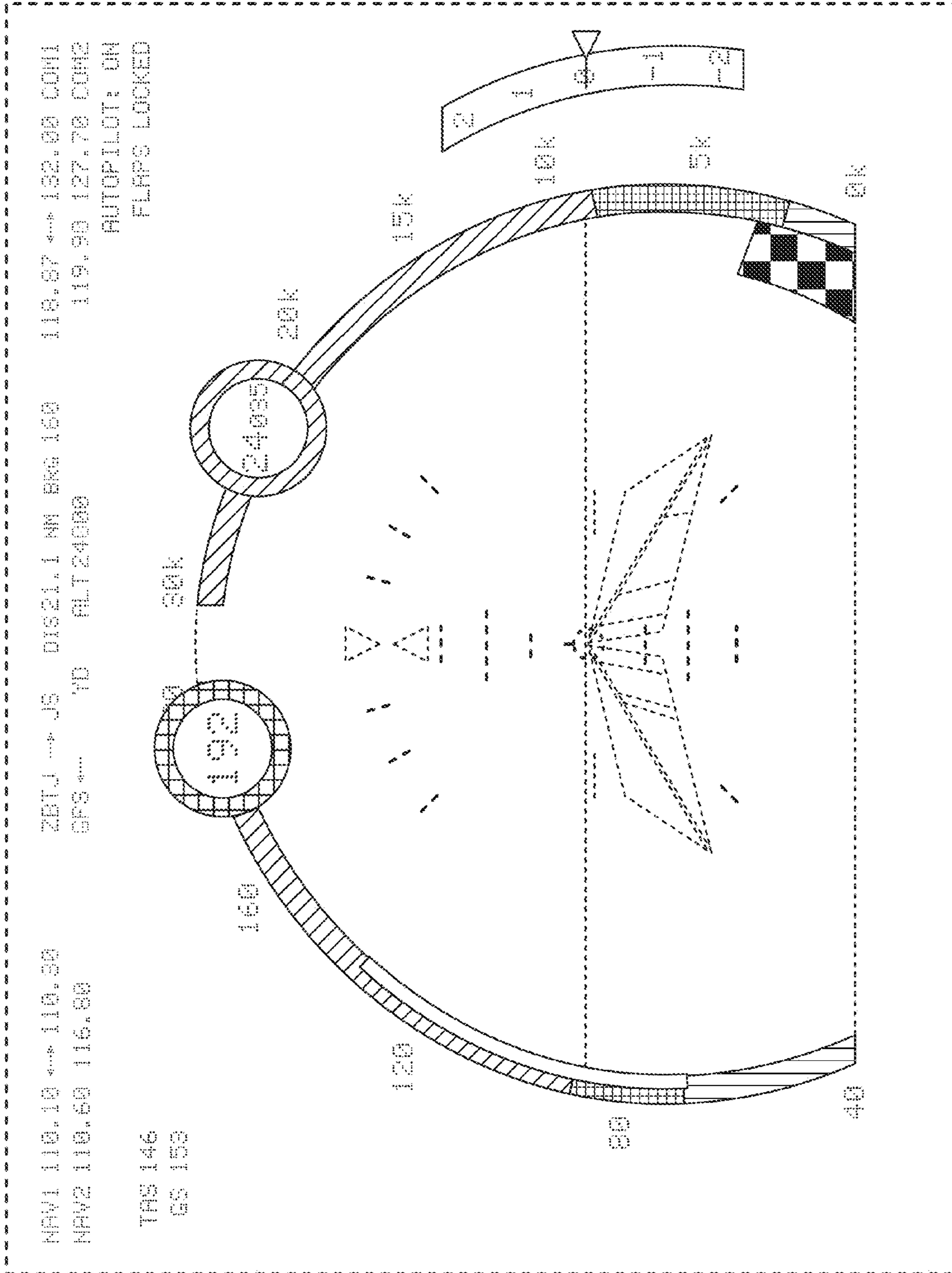


FIG. 7



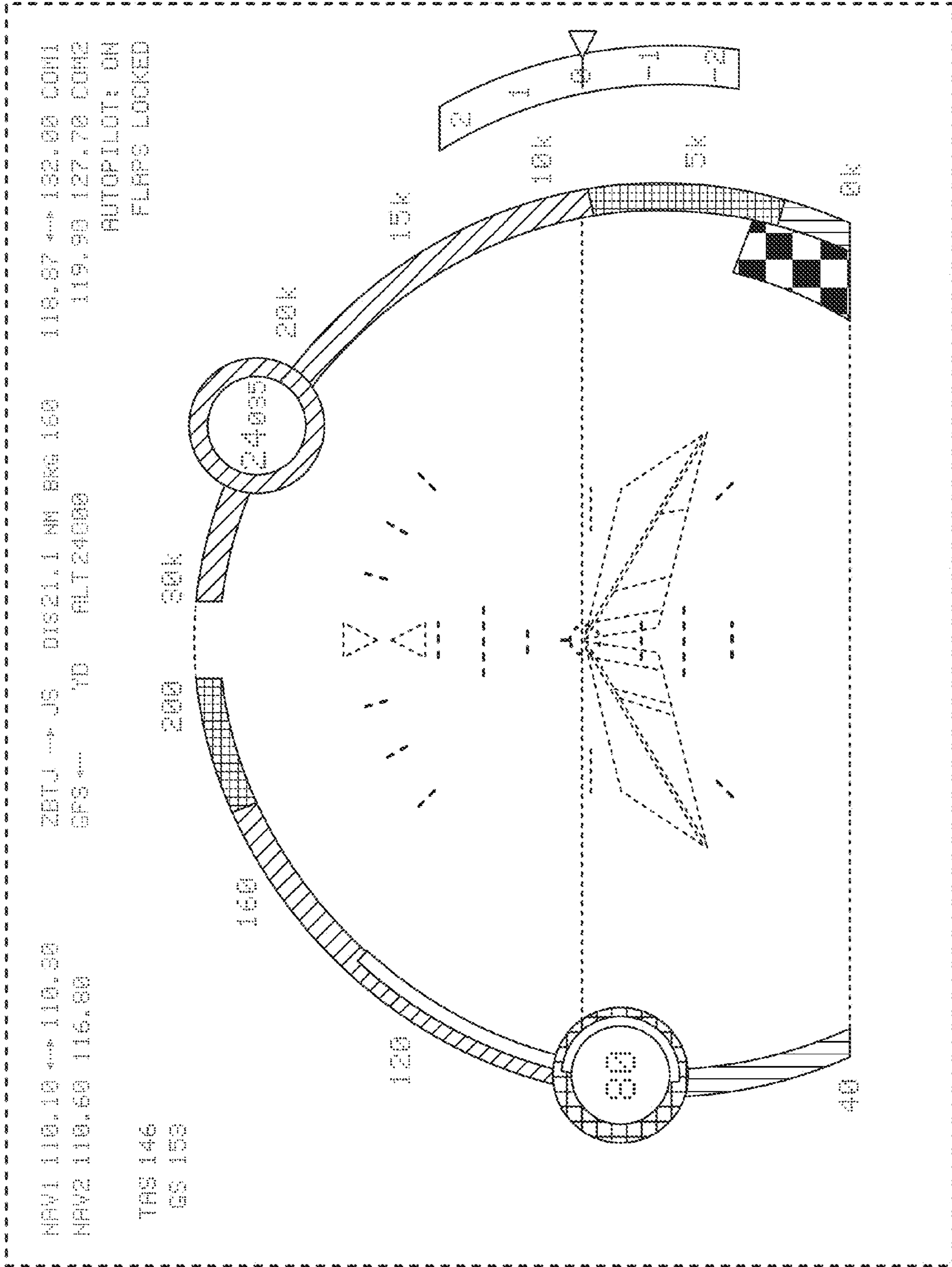


FIG. 9