



US00D916765S

(12) **United States Design Patent**
LaMontagne

(10) **Patent No.:** **US D916,765 S**

(45) **Date of Patent:** **** Apr. 20, 2021**

(54) **DISPLAY PANEL WITH TRANSITIONAL GRAPHICAL USER INTERFACE FOR AUGMENTED REALITY COMPONENT**

D724,603 S * 3/2015 Williams D14/485
D725,128 S * 3/2015 Aoshima D14/485
D726,217 S * 4/2015 Tabata D14/488

(Continued)

(71) Applicant: **Trivver, Inc.**, Huntington Beach, CA (US)

Primary Examiner — Katherine A Holbrow

(74) *Attorney, Agent, or Firm* — Chhabra Law Firm, PC

(72) Inventor: **Joel LaMontagne**, Huntington Beach, CA (US)

(57) **CLAIM**

The ornamental design for a display panel with transitional graphical user interface for augmented reality components, as shown and described.

(73) Assignee: **Trivver, Inc.**, Huntington Beach, CA (US)

DESCRIPTION

(**) Term: **15 Years**

(21) Appl. No.: **29/643,754**

(22) Filed: **Apr. 11, 2018**

(51) **LOC (13) Cl.** **14-04**

(52) **U.S. Cl.**
USPC **D14/486; D14/488**

(58) **Field of Classification Search**
USPC D14/485–495
CPC .. G06F 3/0481; G06F 3/0482; G06F 3/04842;
G06F 3/0488; G06F 3/04817; G06F
3/04845; G06T 2200/24; G06Q 50/01;
H04L 51/32; H04M 1/2477

See application file for complete search history.

The present application is related to U.S. Pat. No. 10,528, 998, issued on Jan. 7, 2020, titled, “Systems and Methods for Presenting Information, Related To Products or Services Being Shown on a Second Display Device, on a First Display Device Using Augmented Reality Technology.” The subject matter of the above identified application is incorporated by reference hereto for all purposes to the extent that such subject matter is not inconsistent herewith.

FIG. 1 is a front view of a first image in a sequence for a display panel with transitional graphical user interface for augmented reality component, according to the new design; FIG. 2 is a second image thereof; and, FIG. 3 is a third image thereof.

The broken line showing of a television screen, coffee table, and the handheld electronic device with display screen illustrate the real life, three-dimensional environment in which the design is used. The broken lines shown within the display portion of the display panel show portions of the graphical user interface. None of the broken line subject matter forms part of the claimed design.

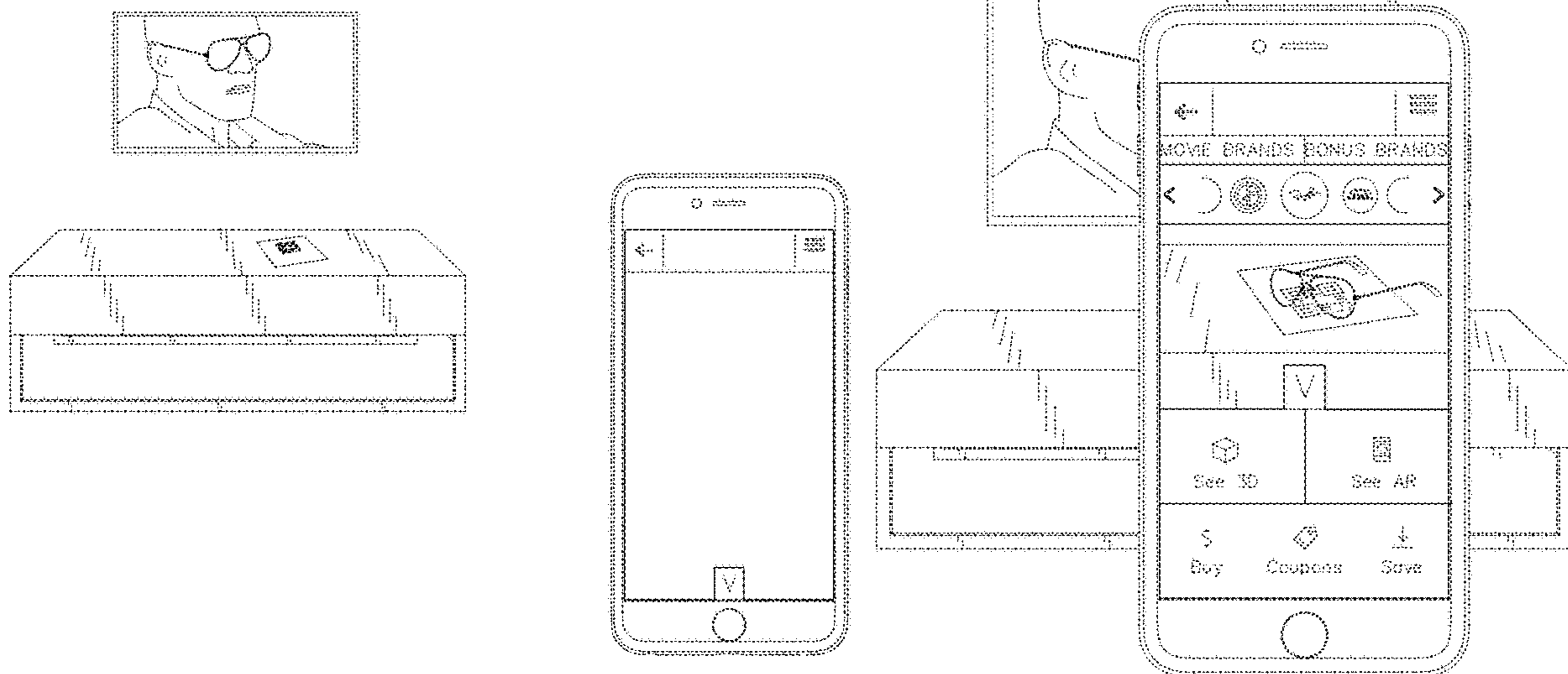
The appearance of the transitional image sequentially transitions between the images shown in FIGS. 1-3. The process or period in which one image transitions to another image forms no part of the claimed design.

(56) **References Cited**

U.S. PATENT DOCUMENTS

D542,804 S * 5/2007 Sadler D14/486
D569,873 S * 5/2008 Borovsky D14/487
D570,363 S * 6/2008 Ulm D14/487
D578,543 S * 10/2008 Ulm D14/487
7,903,115 B2 * 3/2011 Platzer G06F 3/0485
345/473
D644,649 S * 9/2011 Fullington D14/485
D670,726 S * 11/2012 Bitran D14/487
D689,085 S * 9/2013 Pasceri D14/486

1 Claim, 3 Drawing Sheets



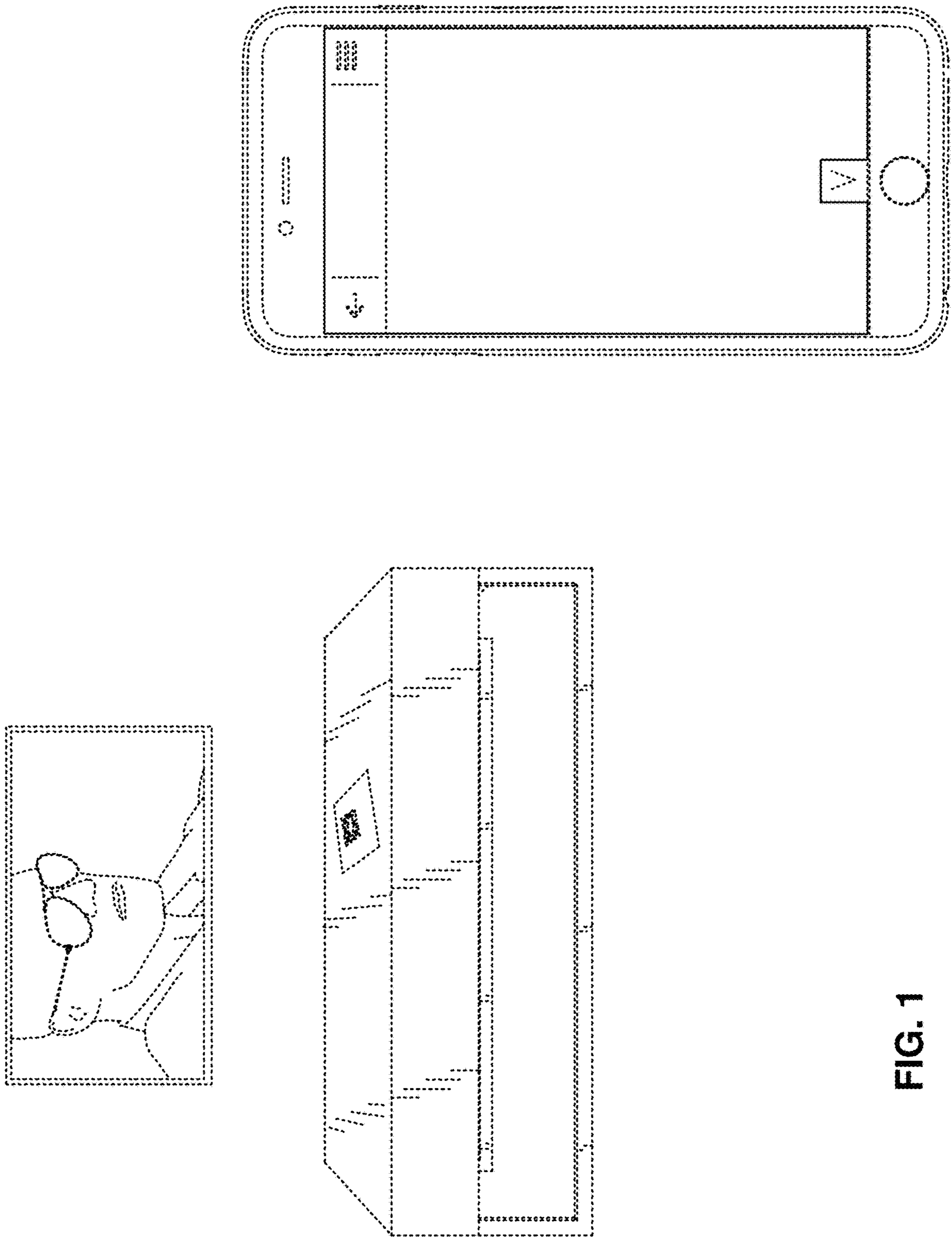
(56)

References Cited

U.S. PATENT DOCUMENTS

D735,742	S *	8/2015	Lee	D14/486
D741,896	S *	10/2015	Park	D14/487
D749,107	S *	2/2016	Amiya	D14/486
D756,386	S *	5/2016	Kendler	D14/486
D762,664	S *	8/2016	Lee	D14/485
D762,674	S *	8/2016	Lee	D14/486
D763,898	S *	8/2016	Raykovich	D14/486
D772,922	S *	11/2016	Lee	D14/488
D788,145	S *	5/2017	Sullivan	D14/486
D797,785	S *	9/2017	Dixit	D14/487
D816,678	S *	5/2018	Felt	D14/485
D817,988	S *	5/2018	LaMontagne	D14/486
D829,745	S *	10/2018	Poulain	D14/486
2013/0254708	A1 *	9/2013	Dorcey	H04L 51/04 715/788
2016/0349936	A1 *	12/2016	Cho	G06F 3/015

* cited by examiner



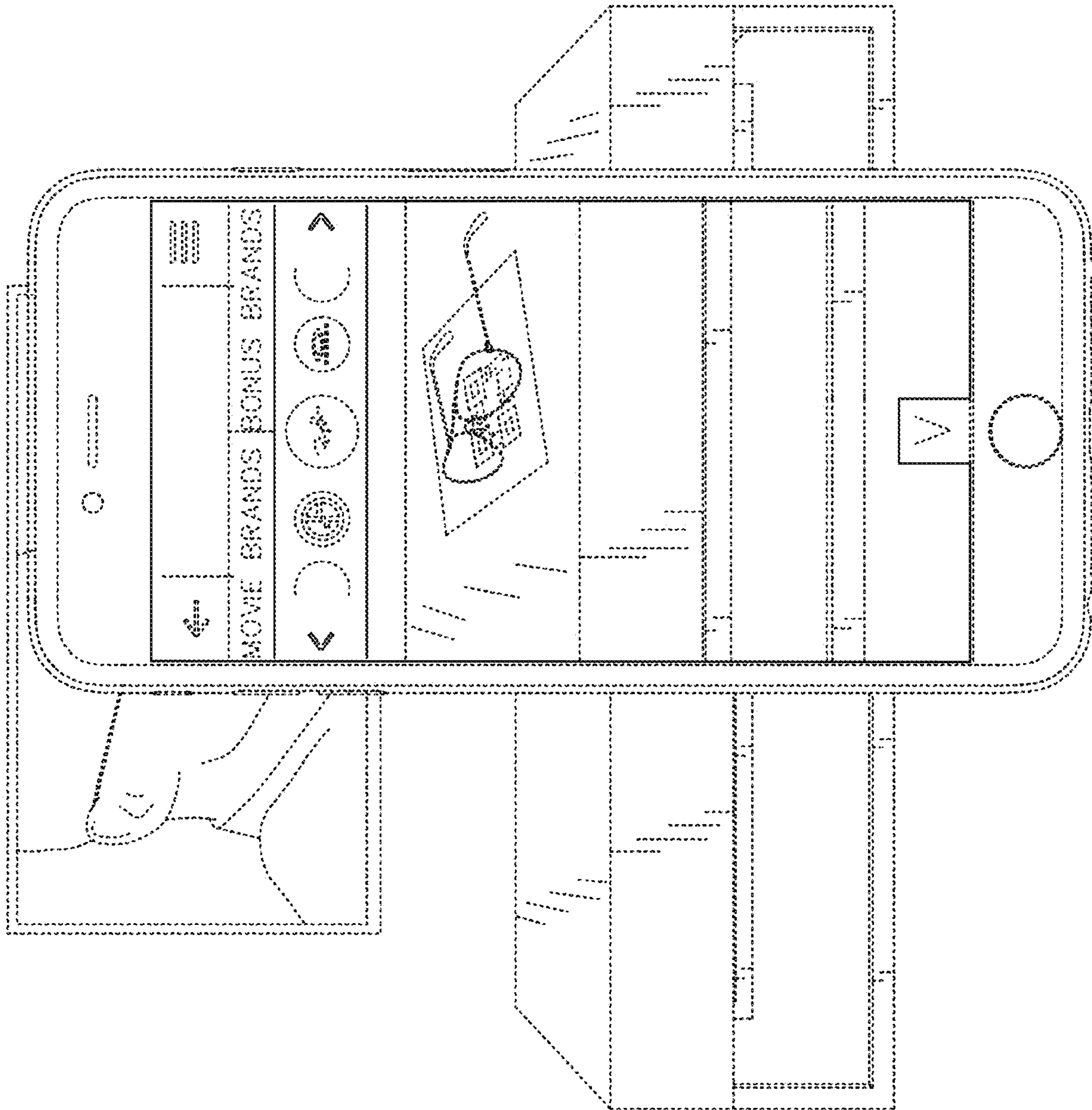


FIG. 2

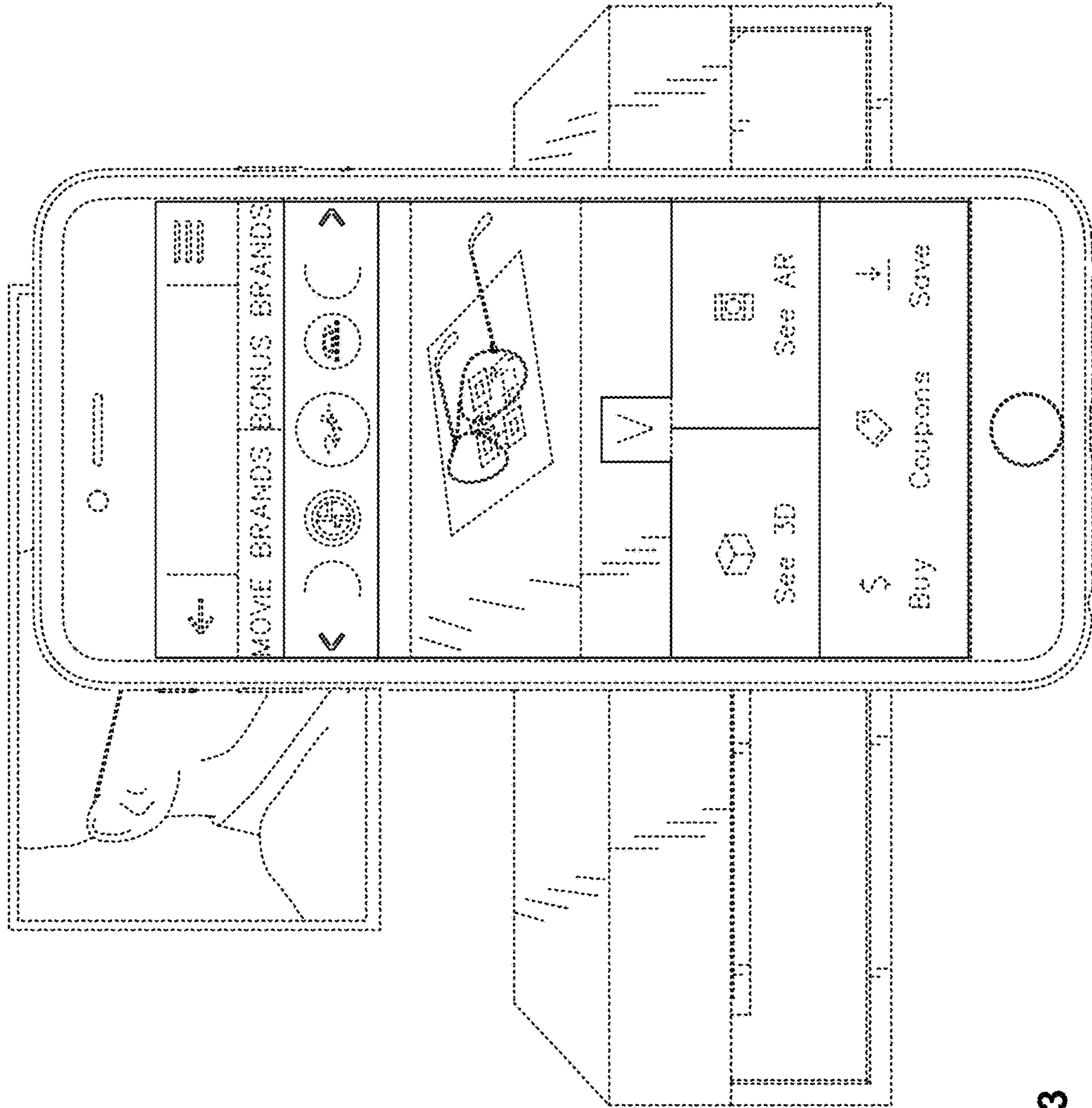


FIG. 3