



US00D916726S

(12) **United States Design Patent**
Sakuma

(10) **Patent No.:** **US D916,726 S**
(45) **Date of Patent:** **** Apr. 20, 2021**

(54) **VIEWFINDER DISPLAY SCREEN FOR DIGITAL CAMERA WITH GRAPHICAL USER INTERFACE**

(71) Applicant: **FUJIFILM Corporation**, Tokyo (JP)

(72) Inventor: **Nanae Sakuma**, Saitama (JP)

(73) Assignee: **FUJIFILM Corporation**, Tokyo (JP)

(**) Term: **15 Years**

(21) Appl. No.: **29/668,639**

(22) Filed: **Oct. 31, 2018**

(30) **Foreign Application Priority Data**

May 23, 2018 (JP) 2018-011285

(51) **LOC (13) Cl.** **14-04**

(52) **U.S. Cl.**
USPC **D14/485**

(58) **Field of Classification Search**
USPC D14/485-495; D16/200, 218-220
(Continued)

(56) **References Cited**

U.S. PATENT DOCUMENTS

D698,363 S * 1/2014 Asai D14/488
D727,928 S * 4/2015 Allison D14/485
(Continued)

FOREIGN PATENT DOCUMENTS

CN 303232701 S 6/2015
CN 303531788 * 12/2015
(Continued)

OTHER PUBLICATIONS

Claud Kho. "How to change Android Loading icon position." Stack Overflow, published Dec. 19, 2012 (Retrieved from the Internet

Mar. 24, 2020). Internet URL: <<https://stackoverflow.com/questions/13946981/how-to-change-android-loading-icon-position>> (Year: 2012).*

(Continued)

Primary Examiner — Rachel A. Voorhies

(74) *Attorney, Agent, or Firm* — Studebaker & Brackett PC

(57) **CLAIM**

The ornamental design for a viewfinder display screen for digital camera with graphical user interface, as shown and described.

DESCRIPTION

FIG. 1 is a rear perspective view of a digital camera provided with a viewfinder display screen for digital camera with graphical user interface, showing the new design.

FIG. 2 is a front view of the digital camera.

FIG. 3 is a rear view thereof.

FIG. 4 is a top view thereof.

FIG. 5 is a left side view thereof.

FIG. 6 is an enlarged view of a rectangle lying at the intersection of the horizontal and vertical lines marked **6, 8, 9** in FIG. 3, showing a first image of the viewfinder display screen for digital camera with graphical user interface.

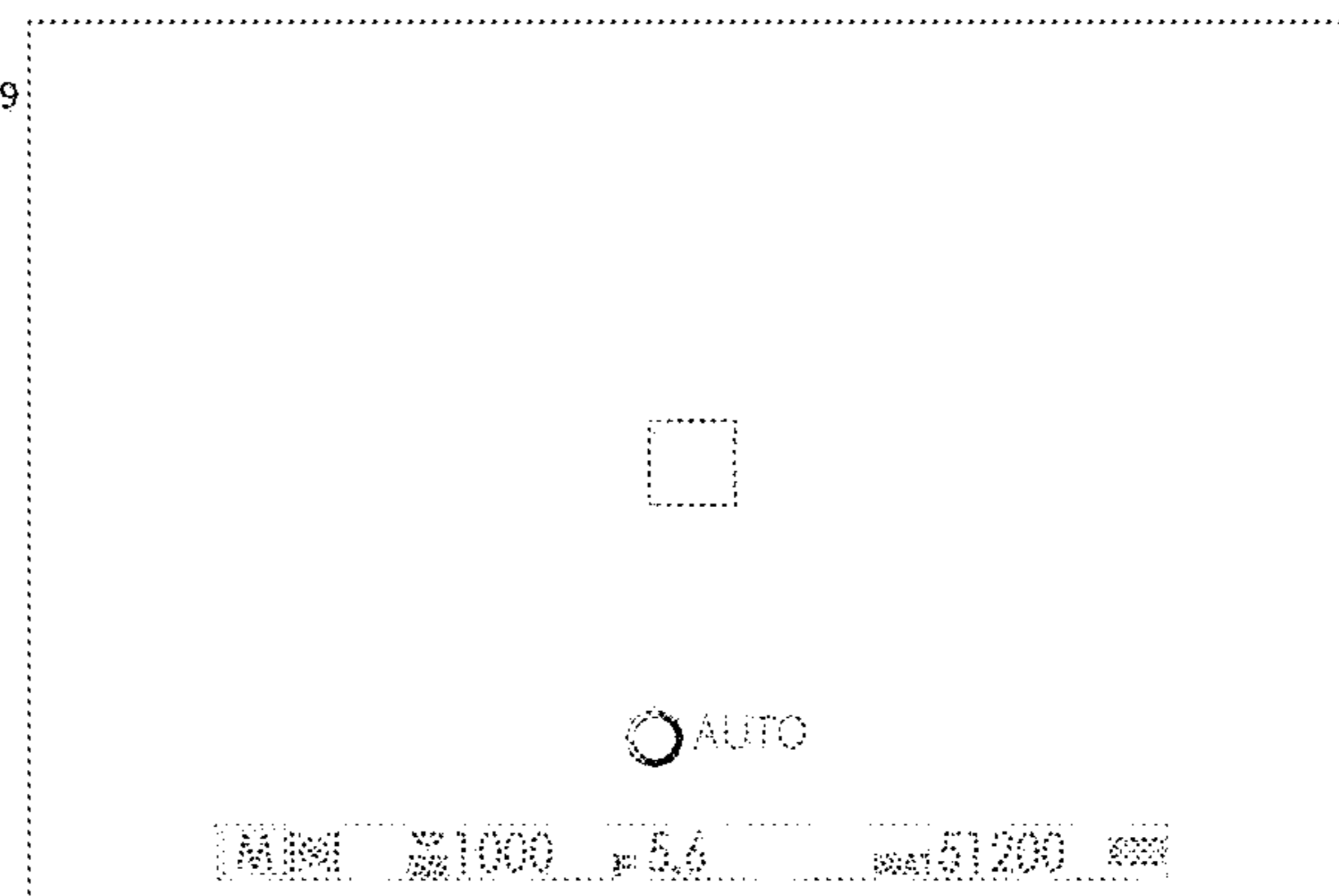
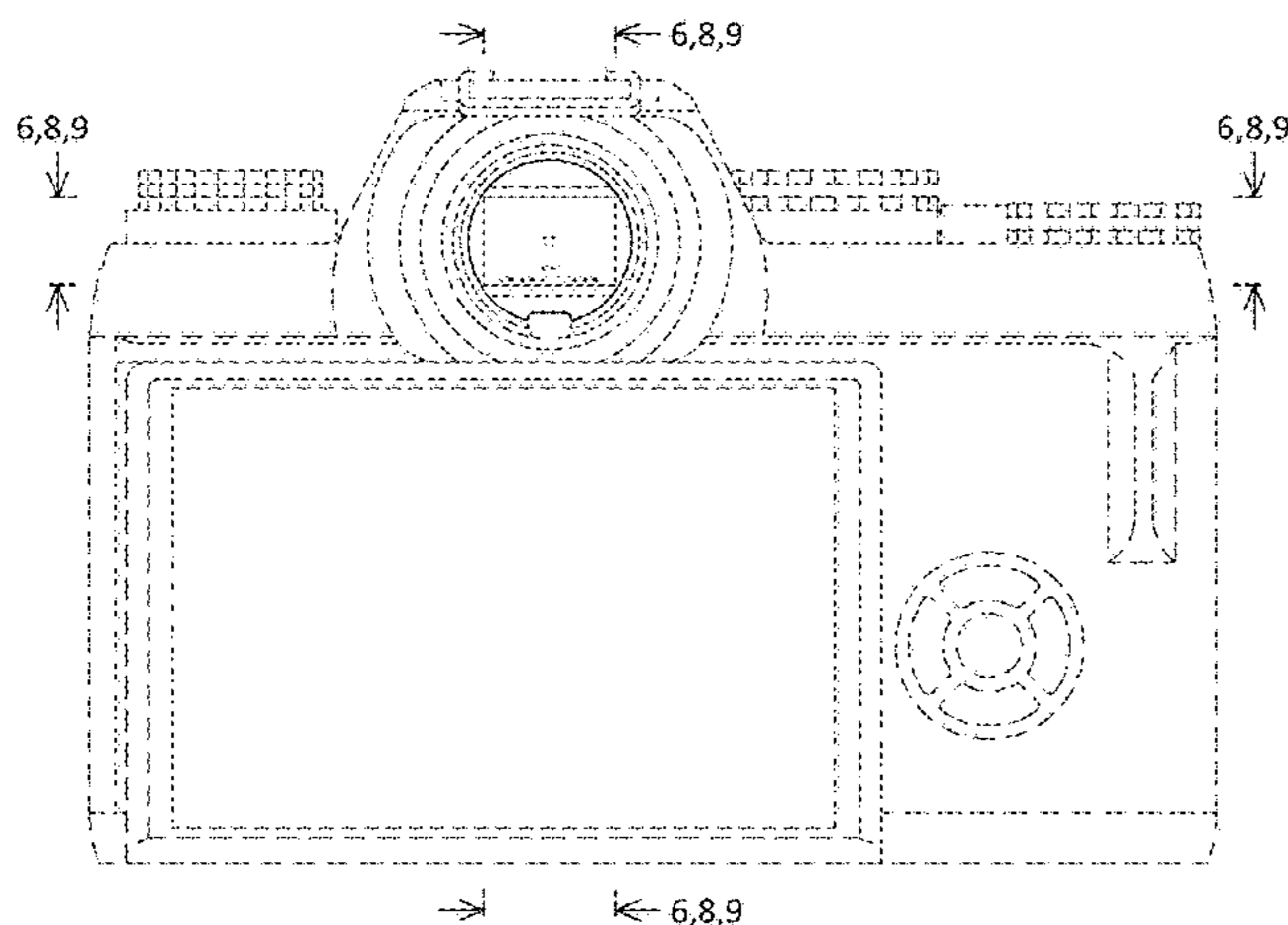
FIG. 7 is an enlarged view of a square lying at the intersection of the horizontal and vertical lines marked **7** in FIG. 6.

FIG. 8 is an enlarged view of the rectangle lying at the intersection of the horizontal and vertical lines marked **6, 8, 9** in FIG. 3, showing a second image of the viewfinder display screen for digital camera with graphical user interface; and,

FIG. 9 is an enlarged view of the rectangle lying at the intersection of the horizontal and vertical lines marked **6, 8, 9** in FIG. 3, showing a third image of the viewfinder display screen for digital camera with graphical user interface.

The broken lines showing the digital camera provided with the viewfinder display screen for digital camera with graphical user interface illustrate the environment of the claimed design and form no part thereof. The broken lines within the

(Continued)



viewfinder display screen in the drawings illustrate portions of the graphical user interface which form no part of the claimed design.

The subject matter in this patent includes a process or period in which an image changes into another image. This process or period forms no part of the claimed design.

1 Claim, 9 Drawing Sheets

(58) Field of Classification Search

CPC G06Q 10/063114; H04N 1/00477; G11B 27/34; G06F 3/0484; G06F 3/048; G05B 19/418

See application file for complete search history.

(56) References Cited

U.S. PATENT DOCUMENTS

D744,535 S * 12/2015 Shin D14/489
 D745,046 S * 12/2015 Shin D14/489
 D749,634 S * 2/2016 Cho D14/489
 D751,101 S * 3/2016 Ito D14/486
 D751,569 S * 3/2016 Chaudhari D14/485
 D761,277 S * 7/2016 Harvell D14/485
 D761,812 S * 7/2016 Motamedi D14/485
 D762,716 S * 8/2016 Yang D14/489
 D763,308 S * 8/2016 Wang D14/486
 D771,130 S * 11/2016 Cho D14/490
 D775,642 S * 1/2017 Gao D14/486
 D776,126 S * 1/2017 Lai D14/485
 D776,185 S * 1/2017 Nohara D16/219
 D776,690 S * 1/2017 Tsujimoto D14/486
 D778,940 S * 2/2017 Williamson D14/488
 D781,912 S * 3/2017 Napper D14/489
 D791,807 S * 7/2017 Smith D14/486
 D801,359 S * 10/2017 Jungmann D14/486
 D806,114 S * 12/2017 Kim D14/488
 D819,678 S * 6/2018 Liu D14/486
 D823,921 S * 7/2018 Imai D16/218
 D824,416 S * 7/2018 Memmelaar, Jr. D14/488
 D826,971 S * 8/2018 Fleischmann D14/486
 D827,662 S * 9/2018 Fleischmann D14/486
 D831,049 S * 10/2018 Agarwal D14/486
 D837,807 S * 1/2019 Baber D14/485

D840,423 S * 2/2019 Narinedhat D14/486
 D850,481 S * 6/2019 Huh D14/486
 D851,099 S * 6/2019 Uppala G06Q 10/06393
 D14/485
 D857,053 S * 8/2019 Elia G06F 3/0484
 D14/487
 D858,571 S * 9/2019 Jang D14/489
 D868,009 S * 11/2019 Dimberg D13/174
 D871,431 S * 12/2019 Cullum D14/486
 D873,281 S * 1/2020 Van Gerbig H04L 67/22
 D14/485
 D877,171 S * 3/2020 Poindexter D14/486
 D888,091 S * 6/2020 Becker G03B 17/18
 D14/488
 2012/0096383 A1 * 4/2012 Sakamoto G06F 9/451
 715/772
 2013/0290902 A1 * 10/2013 Martin D06F 34/28
 715/823
 2014/0162595 A1 * 6/2014 Raleigh H04L 67/22
 455/405
 2016/0058336 A1 * 3/2016 Blahnik A61B 5/1118
 600/595
 2017/0052695 A1 * 2/2017 Lee G06F 3/04883
 2017/0251142 A1 * 8/2017 Watanabe G06F 3/0484
 2018/0042559 A1 * 2/2018 Cabrera, Jr. G06F 3/0484
 2018/0329963 A1 * 11/2018 Voutta G06Q 10/06393
 2019/0014248 A1 * 1/2019 Takao G03B 17/18
 2020/0059705 A1 * 2/2020 Tsukaya G11B 27/034
 2020/0384190 A1 * 12/2020 Jacobi G06F 3/04842

FOREIGN PATENT DOCUMENTS

CN 303564042 * 1/2016
 CN 304426650 * 12/2017
 JP D1584544 S 8/2017
 WO DM/091356 7/2016

OTHER PUBLICATIONS

Barrientos, Joseph A. "Loading spinner." Dribbble, published Mar. 6, 2014 (Retrieved from the Internet Mar. 24, 2020). Internet URL: <<https://dribbble.com/shots/1452453-Loading-spinner>> (Year: 2014).
 An Office Action mailed by the Japanese Patent Office dated Dec. 4, 2018, which corresponds to Japanese Design Application No. 2018-011285 and is related to Design U.S. Appl. No. 29/668,639.

* cited by examiner

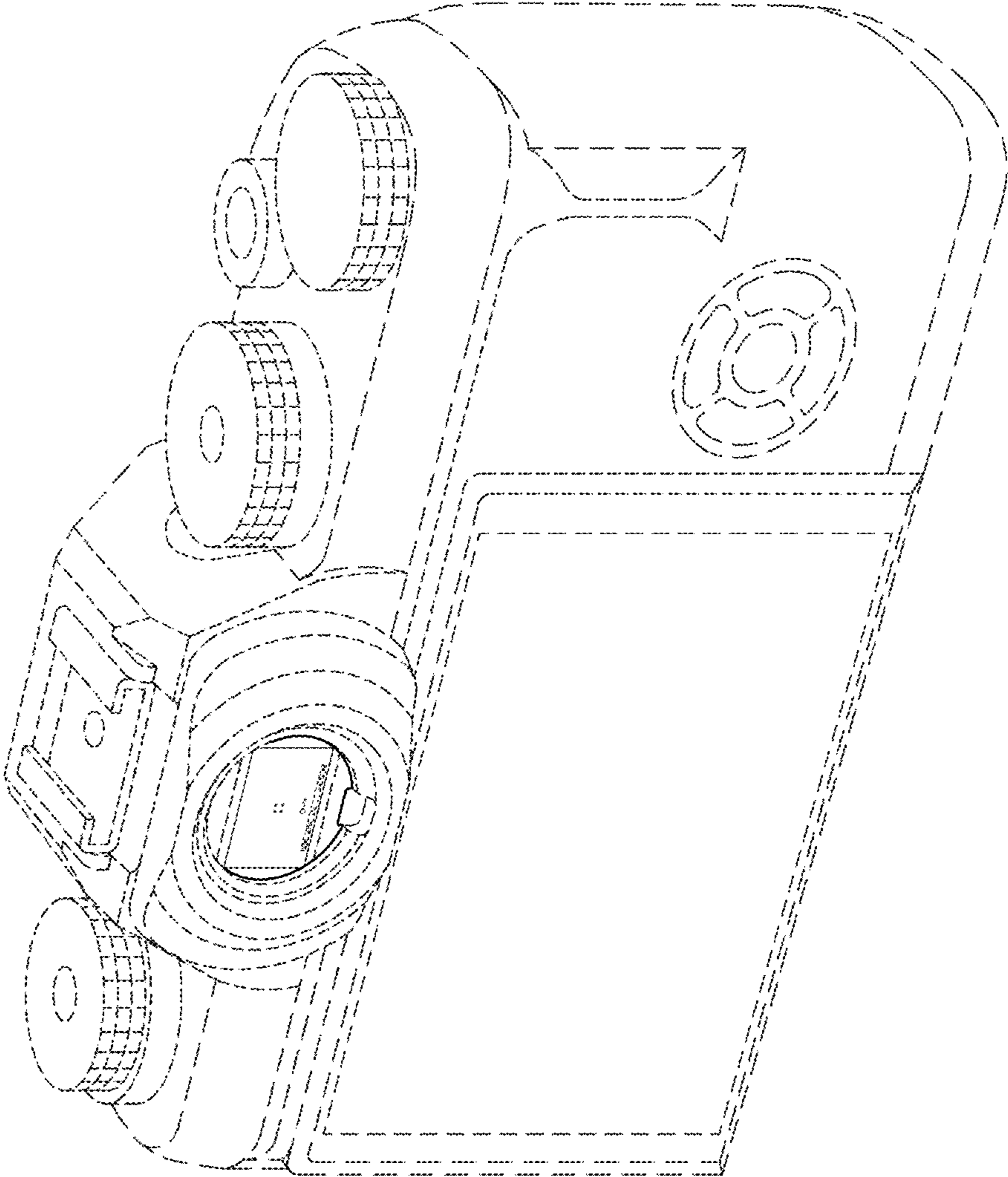


FIG.1

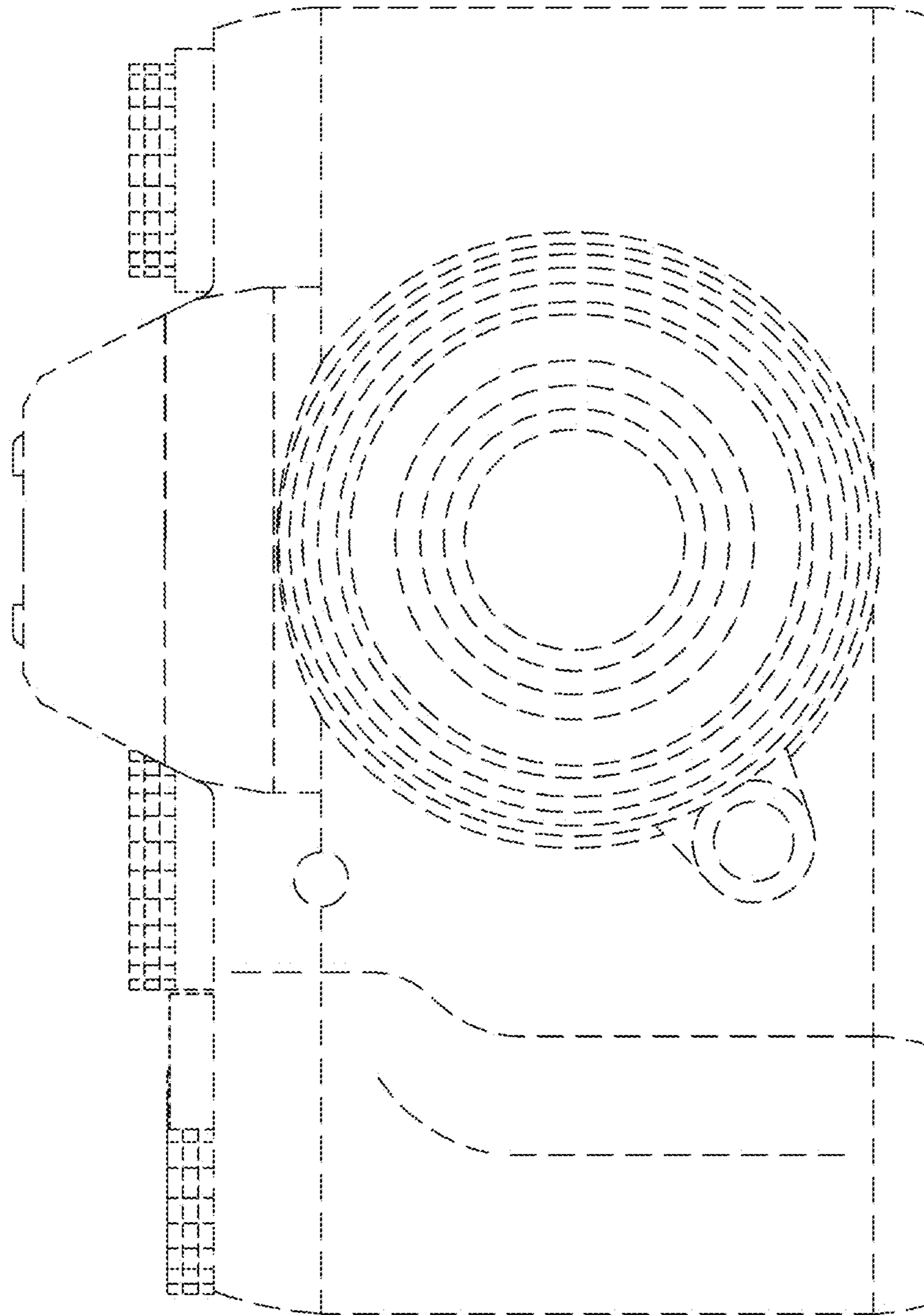
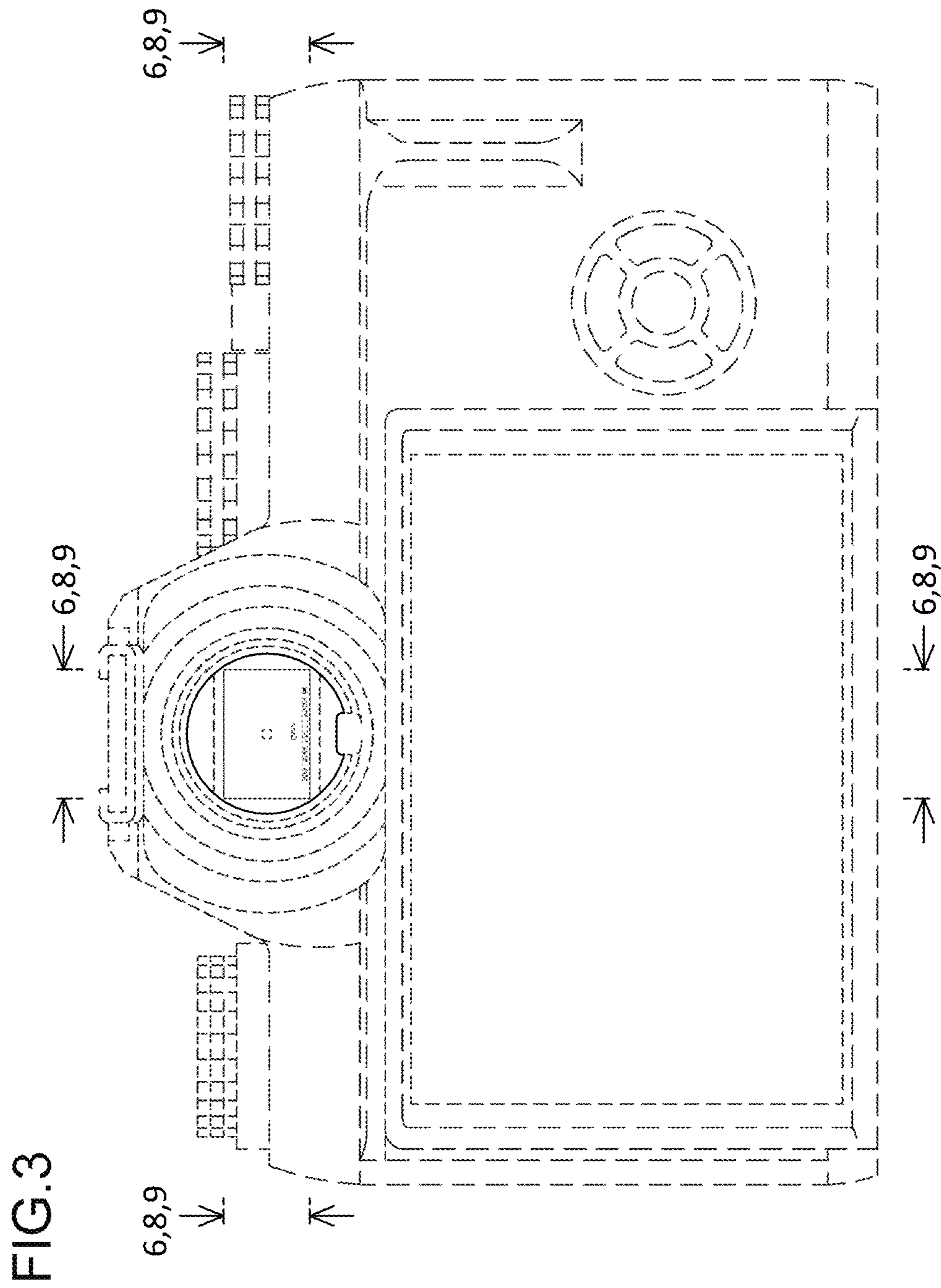


FIG. 2



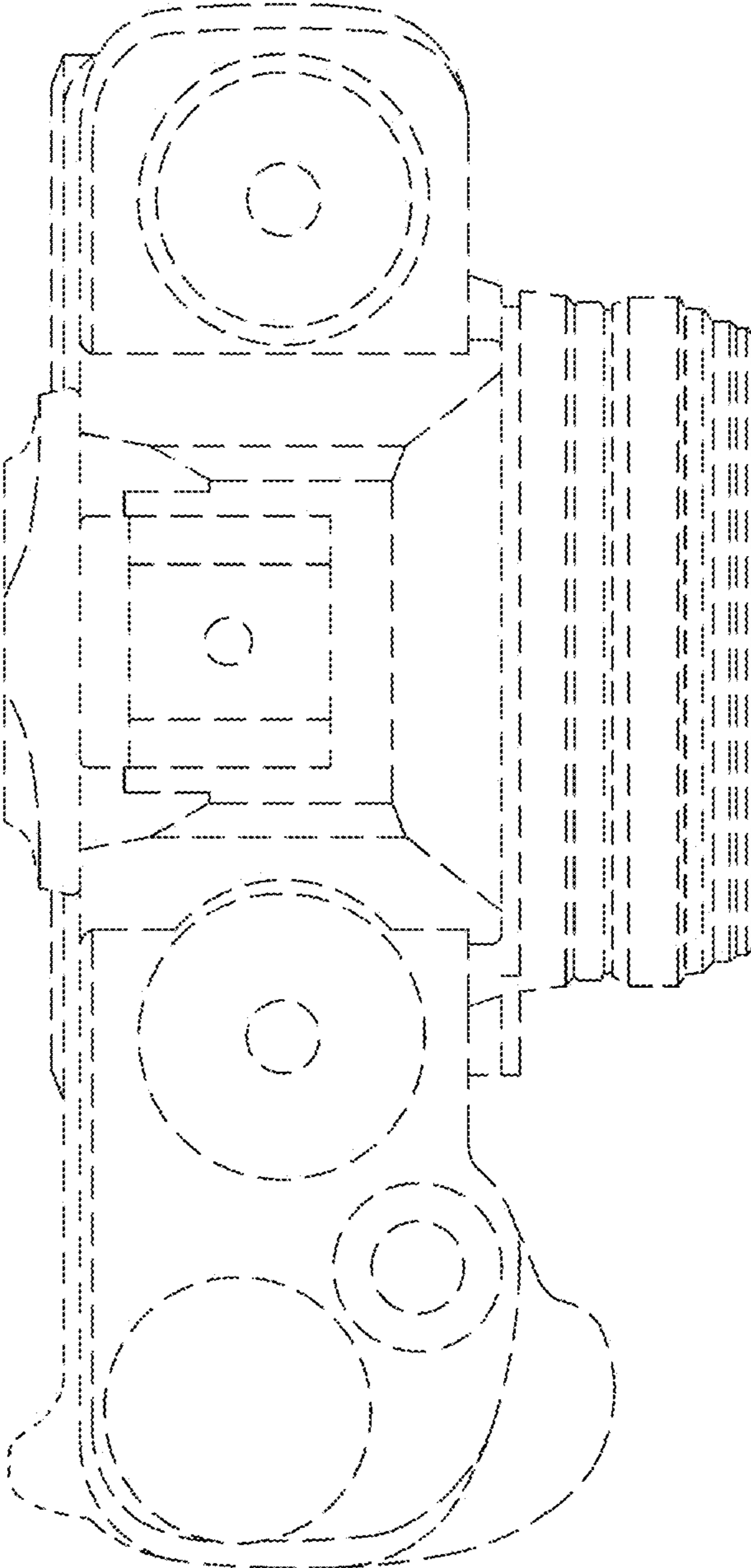


FIG.4

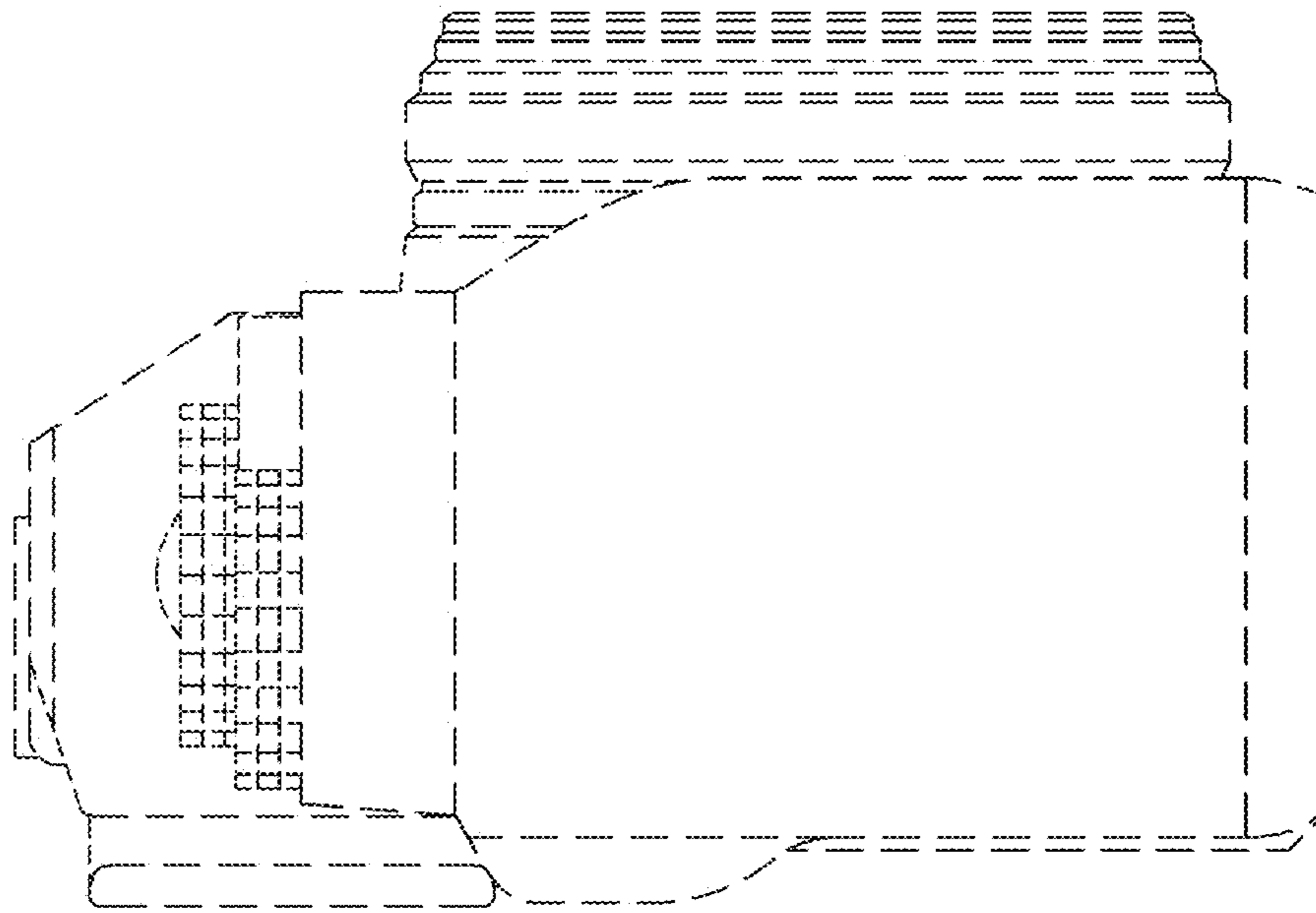


FIG.5

FIG.6

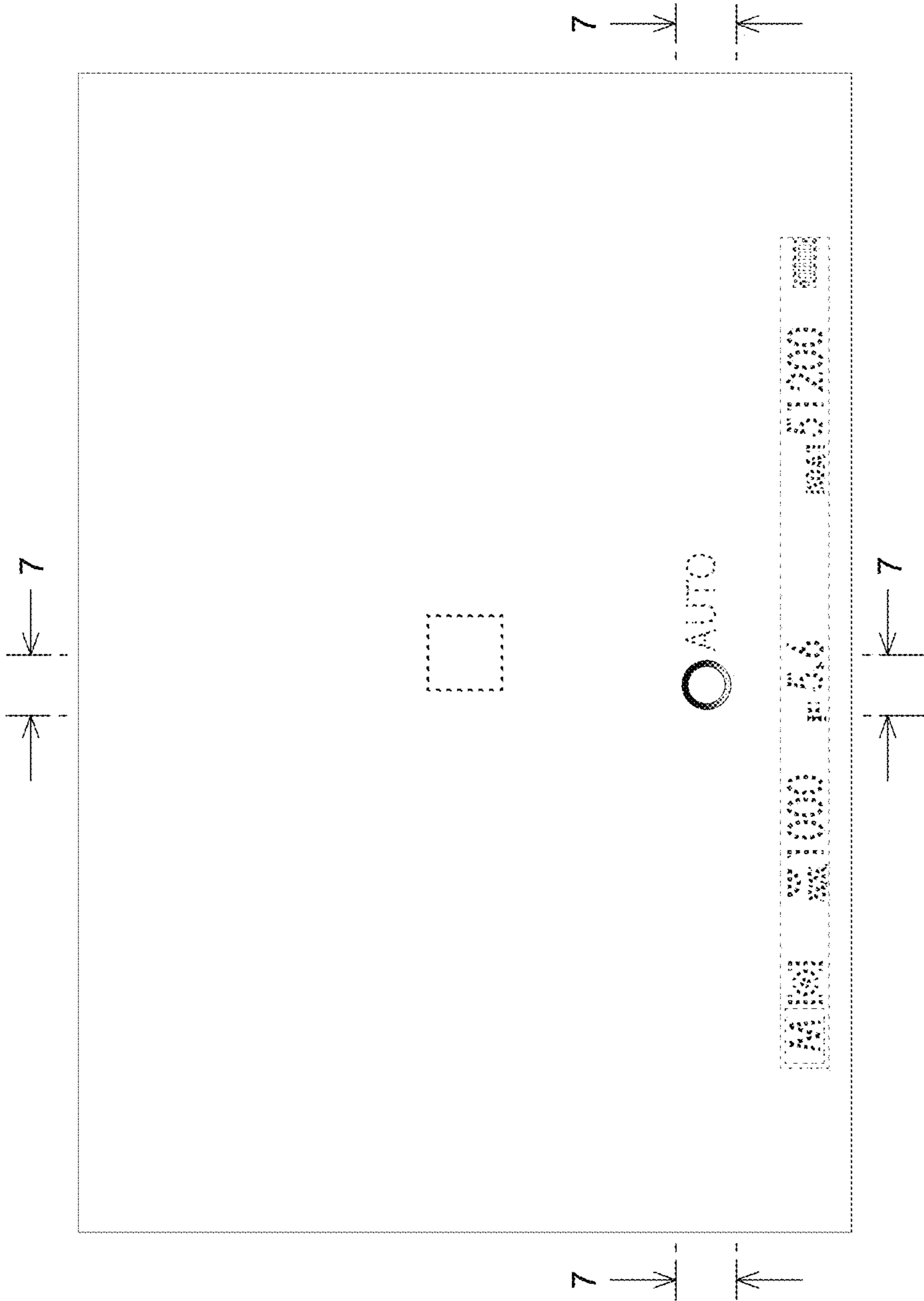
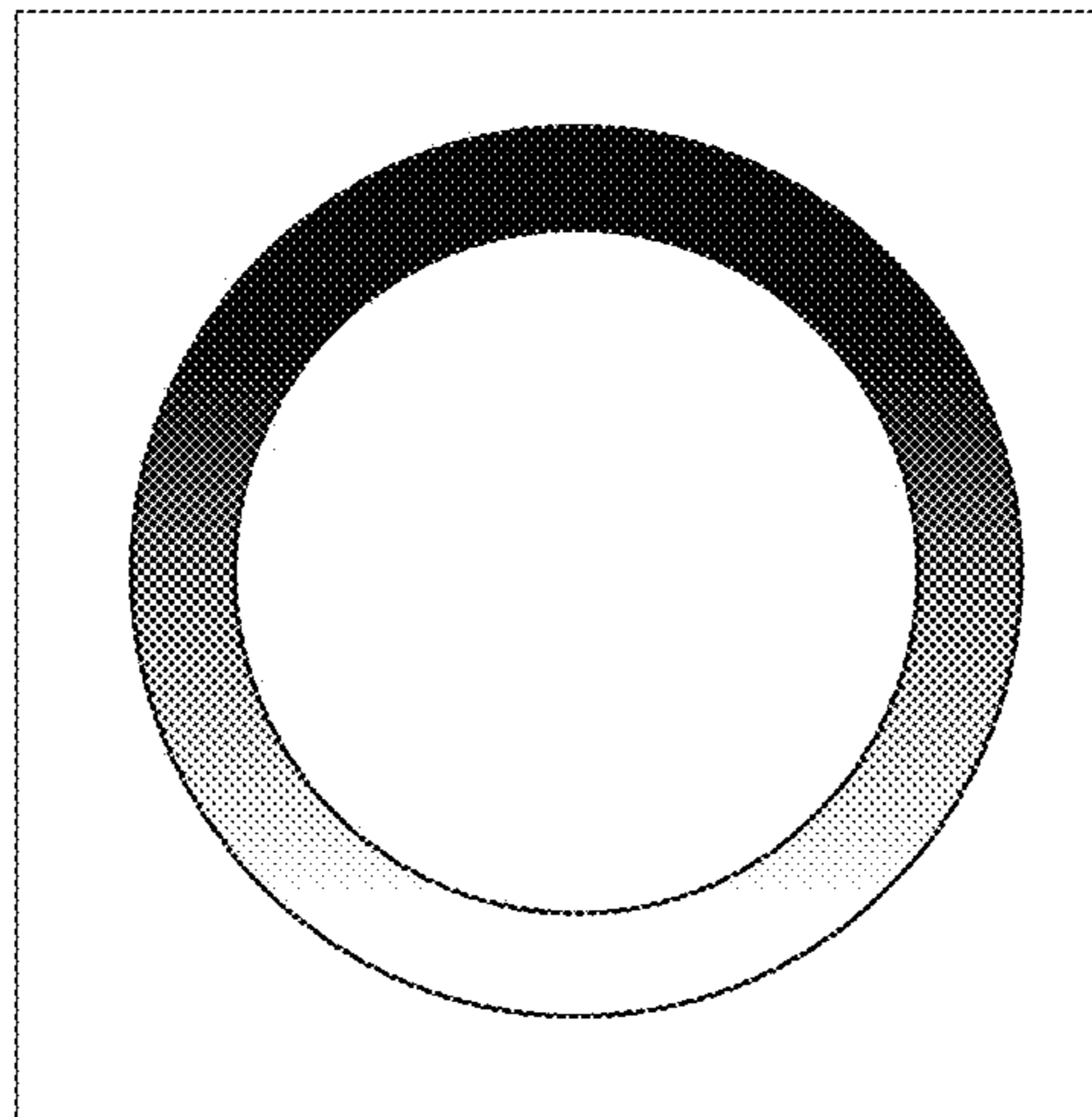


FIG.7



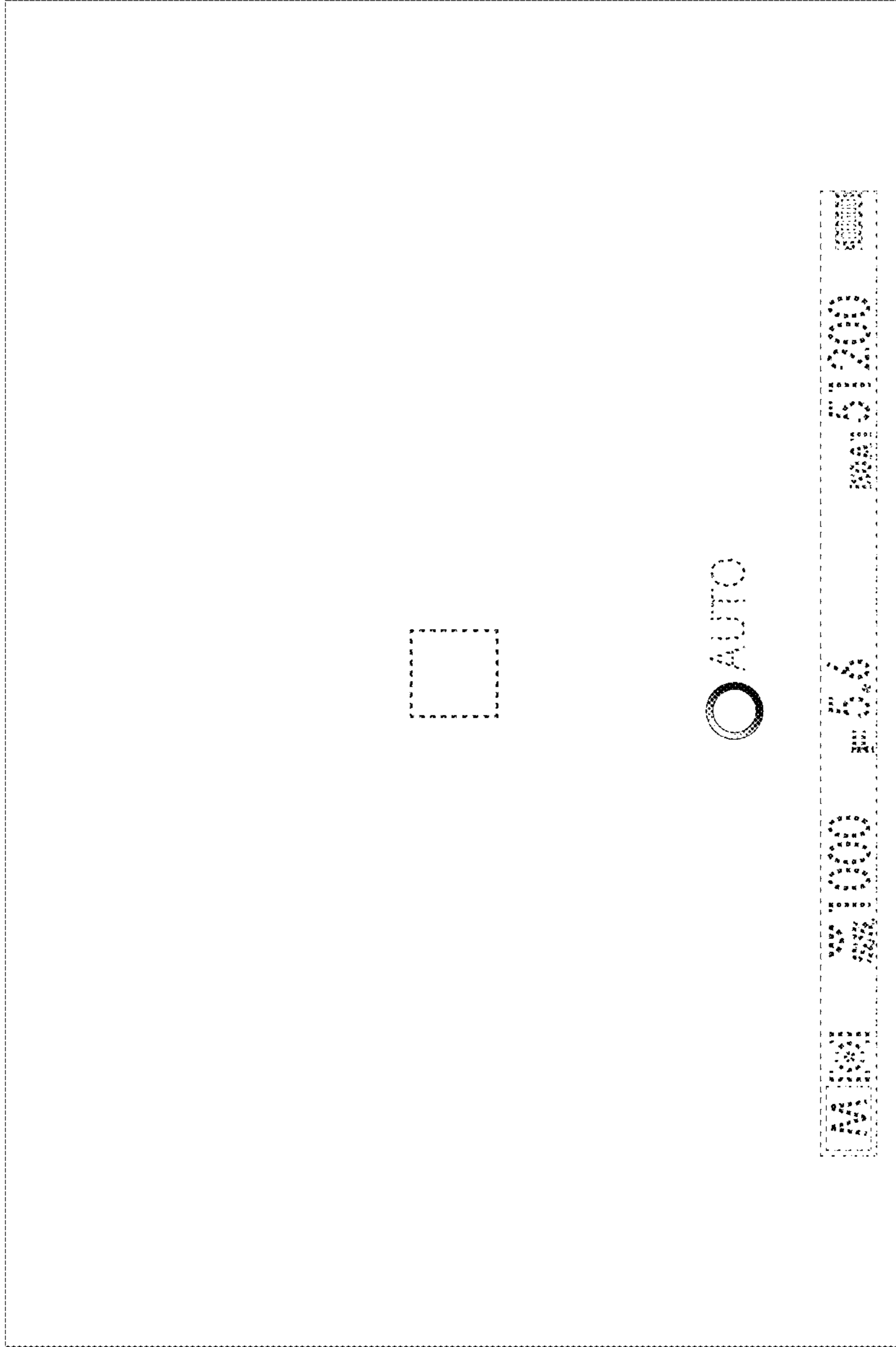


FIG. 8

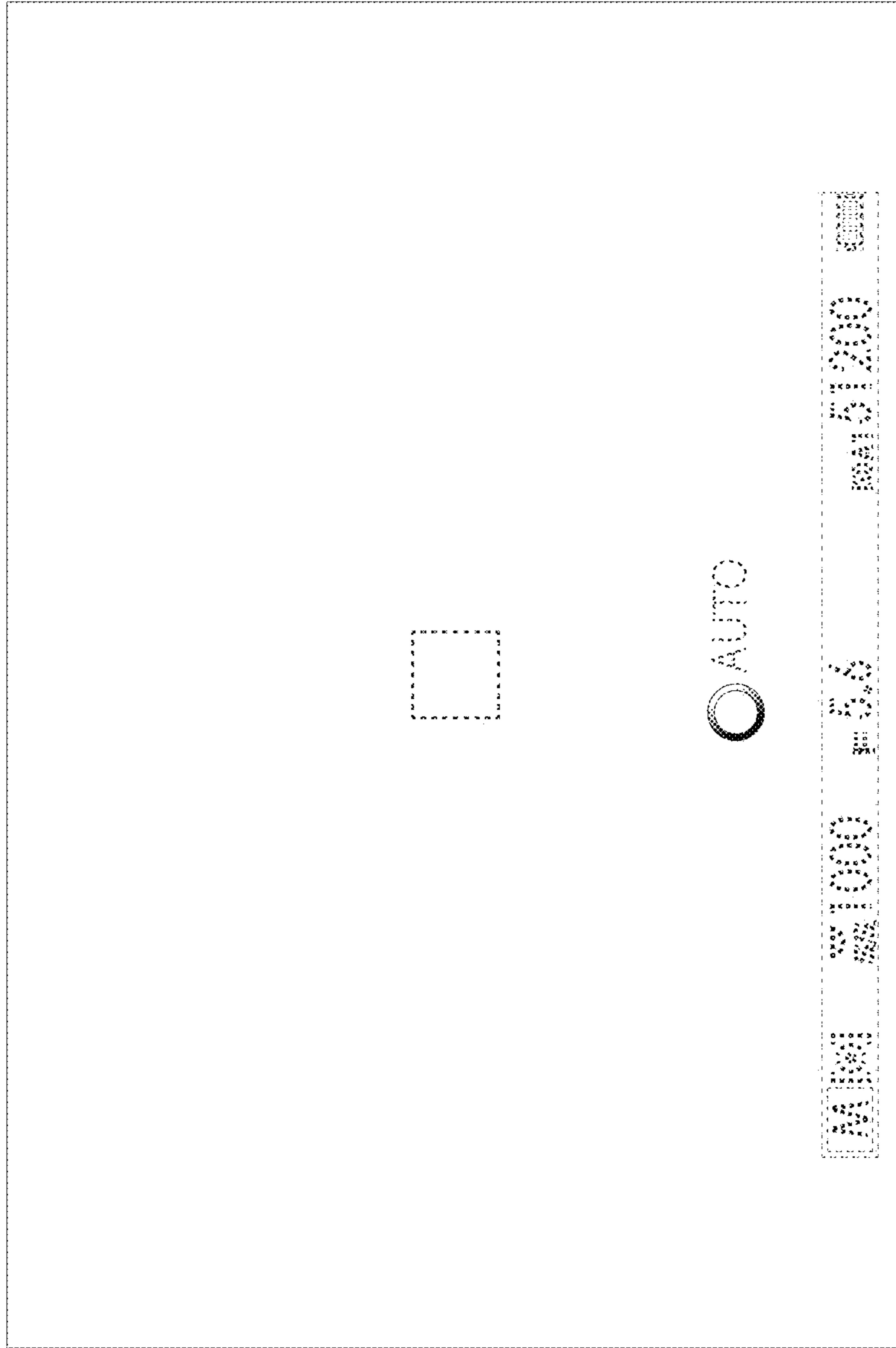


FIG. 9