



US00D916725S

(12) **United States Design Patent**  
**Sakuma**

(10) **Patent No.:** **US D916,725 S**

(45) **Date of Patent:** **\*\* Apr. 20, 2021**

(54) **DIGITAL CAMERA DISPLAY SCREEN WITH GRAPHICAL USER INTERFACE**

(71) Applicant: **FUJIFILM Corporation**, Tokyo (JP)

(72) Inventor: **Nanae Sakuma**, Saitama (JP)

(73) Assignee: **FUJIFILM Corporation**, Tokyo (JP)

(\*\*) Term: **15 Years**

(21) Appl. No.: **29/668,636**

(22) Filed: **Oct. 31, 2018**

(30) **Foreign Application Priority Data**

May 23, 2018 (JP) ..... 2018-011284

(51) **LOC (13) Cl.** ..... **14-04**

(52) **U.S. Cl.**  
USPC ..... **D14/485**

(58) **Field of Classification Search**  
USPC ..... D14/485–495; D16/200, 218–220  
(Continued)

(56) **References Cited**

**U.S. PATENT DOCUMENTS**

D504,452 S \* 4/2005 Yoshida ..... D16/202  
D698,363 S \* 1/2014 Asai ..... D14/488  
(Continued)

**FOREIGN PATENT DOCUMENTS**

CN 303232701 S 6/2015  
CN 303531788 \* 12/2015  
(Continued)

**OTHER PUBLICATIONS**

Claud Kho. “How to change Android Loading icon position.” Stack Overflow, published Dec. 19, 2012 (Retrieved from the Internet Mar. 24, 2020). Internet URL: <<https://stackoverflow.com/questions/13946981/how-to-change-android-loading-icon-position>> (Year: 2012).\*

(Continued)

*Primary Examiner* — Rachel A. Voorhies  
(74) *Attorney, Agent, or Firm* — Studebaker & Brackett PC

(57) **CLAIM**

The ornamental design for a digital camera display screen with graphical user interface, as shown and described.

**DESCRIPTION**

FIG. 1 is a rear perspective view of a digital camera provided with a digital camera display screen with graphical user interface, showing the new design.

FIG. 2 is a front view of the digital camera.

FIG. 3 is a rear view thereof.

FIG. 4 is a top view thereof.

FIG. 5 is a left side view thereof.

FIG. 6 is an enlarged view of a rectangle lying at the intersection of the horizontal and vertical lines marked “6, 8, 9” in FIG. 3, showing a first image of the digital camera display screen with graphical user interface.

FIG. 7 is an enlarged view of a square lying at the intersection of the horizontal and vertical lines marked “7” in FIG. 6.

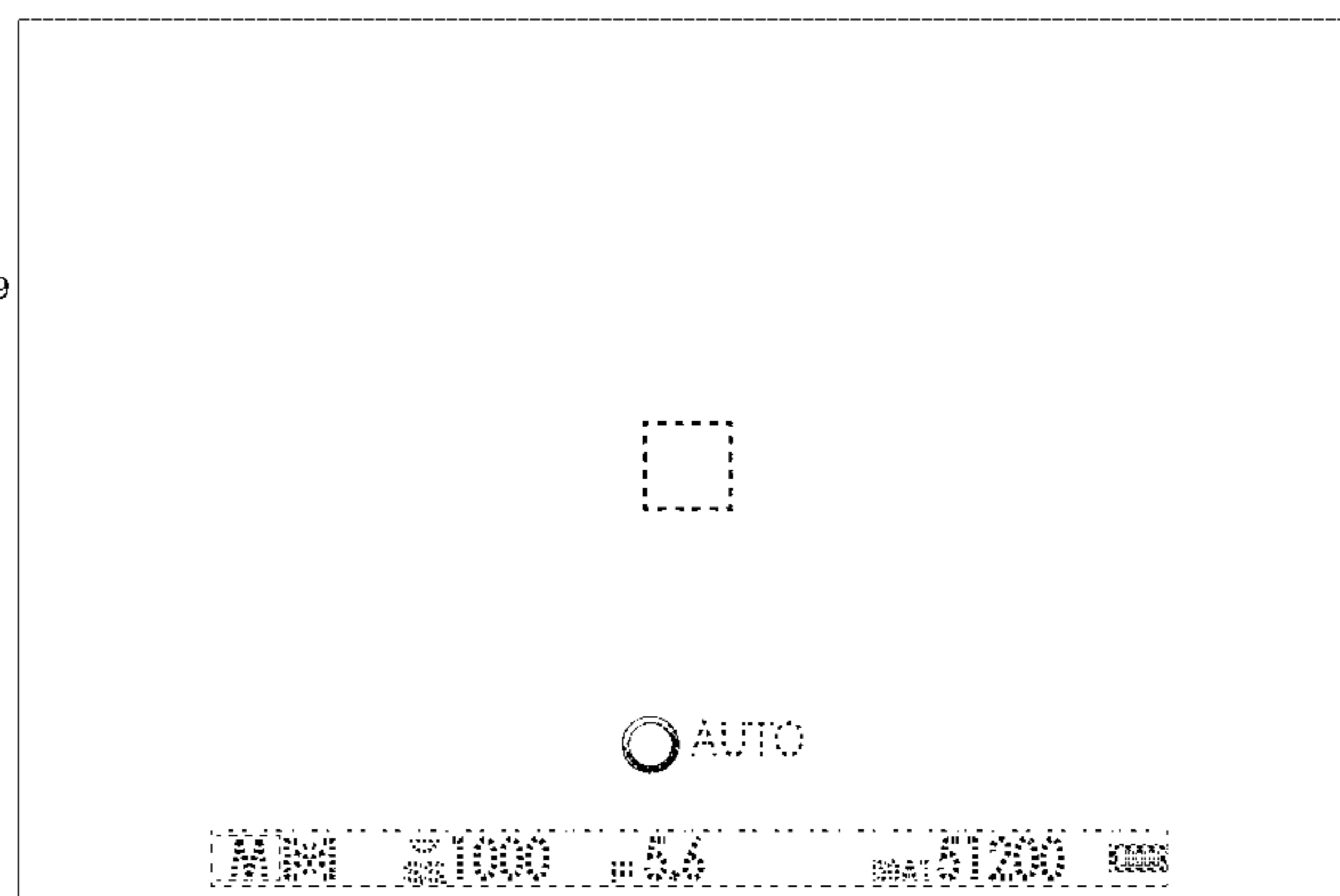
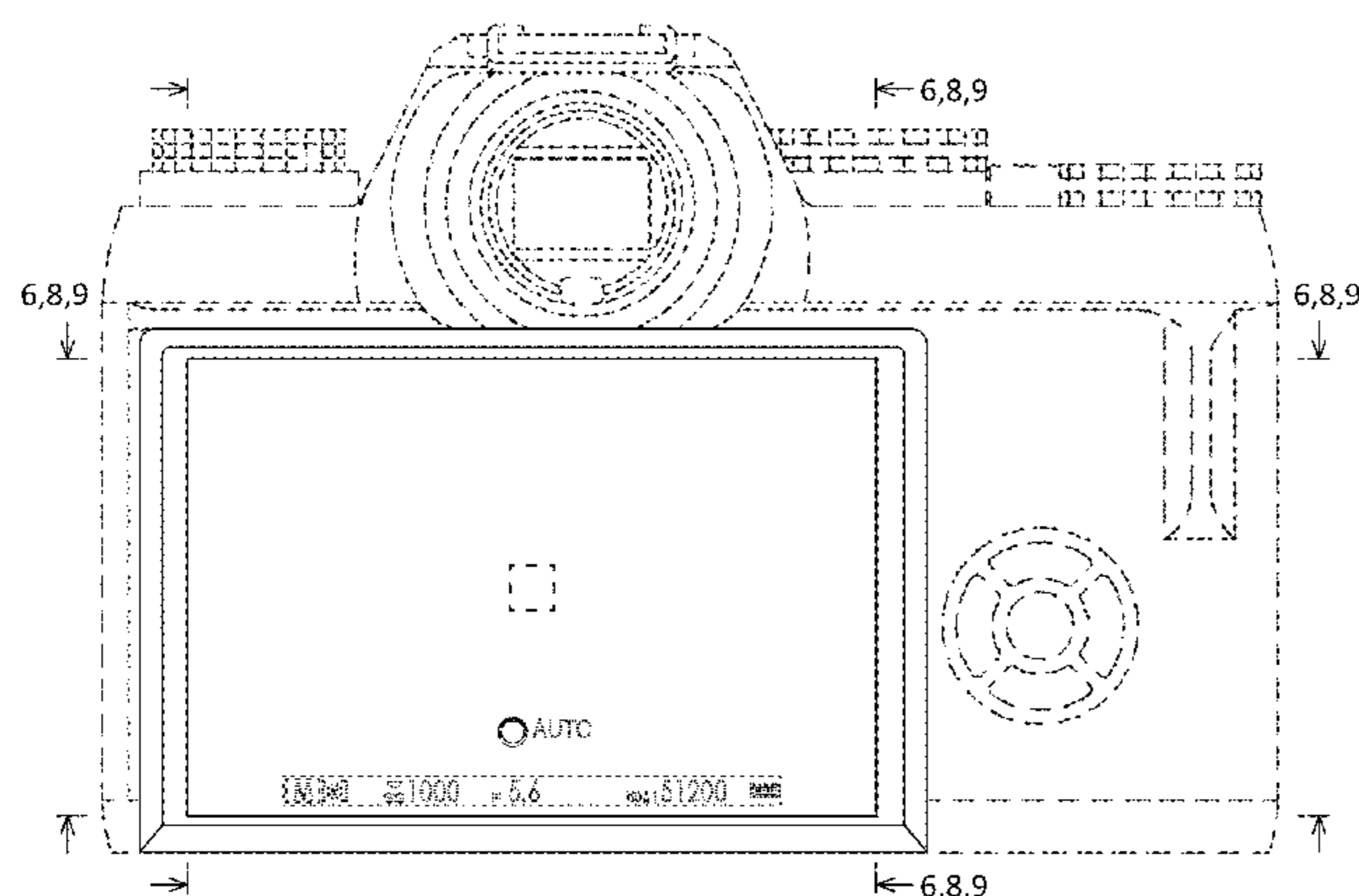
FIG. 8 is an enlarged view of the rectangle lying at the intersection of the horizontal and vertical lines marked “6, 8, 9” in FIG. 3, showing a second image of the digital camera display screen with graphical user interface; and,

FIG. 9 is an enlarged view of the rectangle lying at the intersection of the horizontal and vertical lines marked “6, 8, 9” in FIG. 3, showing a third image of the digital camera display screen with graphical user interface.

The broken lines showing the digital camera provided with the digital camera display screen with graphical user interface illustrate the environment of the claimed design and form no part thereof.

The subject matter in this patent includes a process or period in which an image changes into another image. This process or period forms no part of the claimed design.

**1 Claim, 9 Drawing Sheets**



# US D916,725 S

Page 2

(58) **Field of Classification Search**

CPC ..... G06Q 10/063114; G11B 27/34; H04N  
1/00477; G06F 3/0484; G06F 3/048;  
G05B 19/418

See application file for complete search history.

(56) **References Cited**

U.S. PATENT DOCUMENTS

D723,607 S \* 3/2015 Noh ..... D16/219  
D727,928 S \* 4/2015 Allison ..... D14/485  
D744,535 S \* 12/2015 Shin ..... D14/489  
D745,046 S \* 12/2015 Shin ..... D14/489  
D749,634 S \* 2/2016 Cho ..... D14/489  
D751,101 S \* 3/2016 Ito ..... D14/486  
D751,569 S \* 3/2016 Chaudhari ..... D14/485  
D761,277 S \* 7/2016 Harvell ..... D14/485  
D761,812 S \* 7/2016 Motamedi ..... D14/485  
D762,716 S \* 8/2016 Yang ..... D14/489  
D763,308 S \* 8/2016 Wang ..... D14/486  
D771,130 S \* 11/2016 Cho ..... D14/490  
D775,642 S \* 1/2017 Gao ..... D14/486  
D776,126 S \* 1/2017 Lai ..... D14/485  
D776,690 S \* 1/2017 Tsujimoto ..... D14/486  
D778,940 S \* 2/2017 Williamson ..... D14/488  
D781,912 S \* 3/2017 Napper ..... D14/489  
D791,807 S \* 7/2017 Smith ..... D14/486  
D801,359 S \* 10/2017 Jungmann ..... D14/486  
D806,114 S \* 12/2017 Kim ..... D14/488  
D819,678 S \* 6/2018 Liu ..... D14/486  
D824,416 S \* 7/2018 Memmelaar, Jr. .... D14/488  
D826,971 S \* 8/2018 Fleischmann ..... D14/486  
D827,662 S \* 9/2018 Fleischmann ..... D14/486  
D831,049 S \* 10/2018 Agarwal ..... D14/486  
D837,807 S \* 1/2019 Baber ..... D14/485  
D840,423 S \* 2/2019 Narinedhat ..... D14/486  
D850,481 S \* 6/2019 Huh ..... D14/486  
D851,099 S \* 6/2019 Uppala ..... G06Q 10/06393  
D14/485  
D857,053 S \* 8/2019 Elia ..... G06F 3/0484  
D14/487

D858,571 S \* 9/2019 Jang ..... D14/489  
D868,009 S \* 11/2019 Dimberg ..... D13/174  
D871,431 S \* 12/2019 Cullum ..... D14/486  
D873,281 S \* 1/2020 Van Gerbig ..... H04L 67/22  
D14/485  
D877,171 S \* 3/2020 Poindexter ..... D14/486  
D881,974 S \* 4/2020 Nguyen ..... D16/219  
D888,091 S \* 6/2020 Becker ..... G03B 17/18  
D14/488  
2012/0096383 A1 \* 4/2012 Sakamoto ..... G06F 9/451  
715/772  
2013/0290902 A1 \* 10/2013 Martin ..... D06F 4/28  
715/823  
2014/0162595 A1 \* 6/2014 Raleigh ..... H04L 67/22  
455/405  
2016/0058336 A1 \* 3/2016 Blahnik ..... A61B 5/1118  
600/595  
2017/0052695 A1 \* 2/2017 Lee ..... G06F 3/04883  
2017/0251142 A1 \* 8/2017 Watanabe ..... G06F 3/0484  
2018/0042559 A1 \* 2/2018 Cabrera, Jr. .... G06F 3/0484  
2018/0329963 A1 \* 11/2018 Voutta ..... G06Q 10/06393  
2019/0014248 A1 \* 1/2019 Takao ..... G03B 17/18  
2020/0059705 A1 \* 2/2020 Tsukaya ..... G11B 27/034  
2020/0384190 A1 \* 12/2020 Jacobi ..... G06F 3/04842

FOREIGN PATENT DOCUMENTS

CN 303564042 \* 1/2016  
CN 304426650 \* 12/2017  
JP D1584544 S 8/2017  
WO DM/091366 7/2016

OTHER PUBLICATIONS

Barrientos, Joseph A. "Loading spinner." Dribbble, published Mar. 6, 2014 (Retrieved from the Internet Mar. 24, 2020). Internet URL: <<https://dribbble.com/shots/1452453-Loading-spinner>> (Year: 2014).\*  
An Office Action mailed by the Japanese Patent Office dated Dec. 4, 2018, which corresponds to Japanese Design Application No. 2018-011284 and is related to Design U.S. Appl. No. 29/668,636.

\* cited by examiner

FIG.1

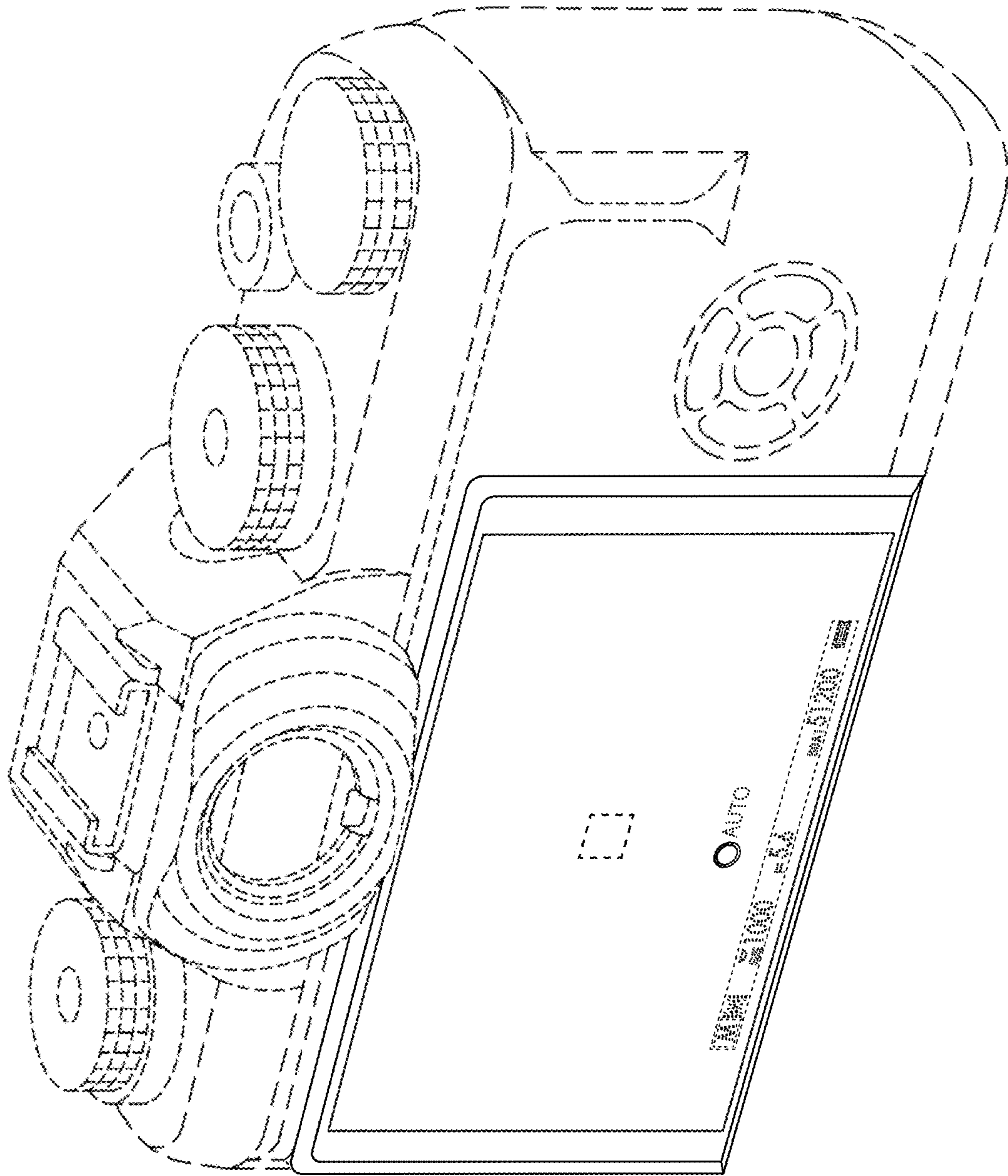


FIG.2

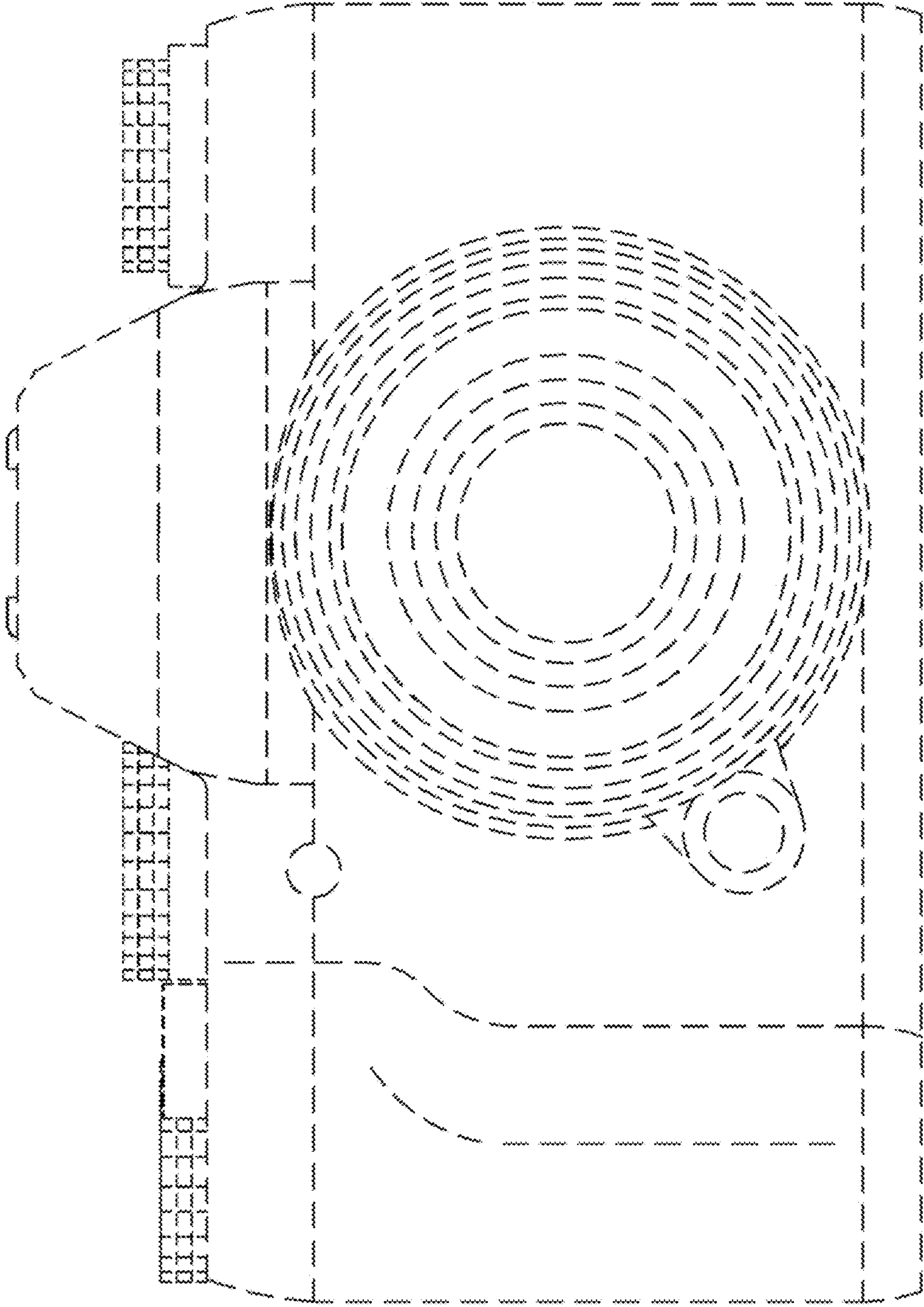


FIG. 3

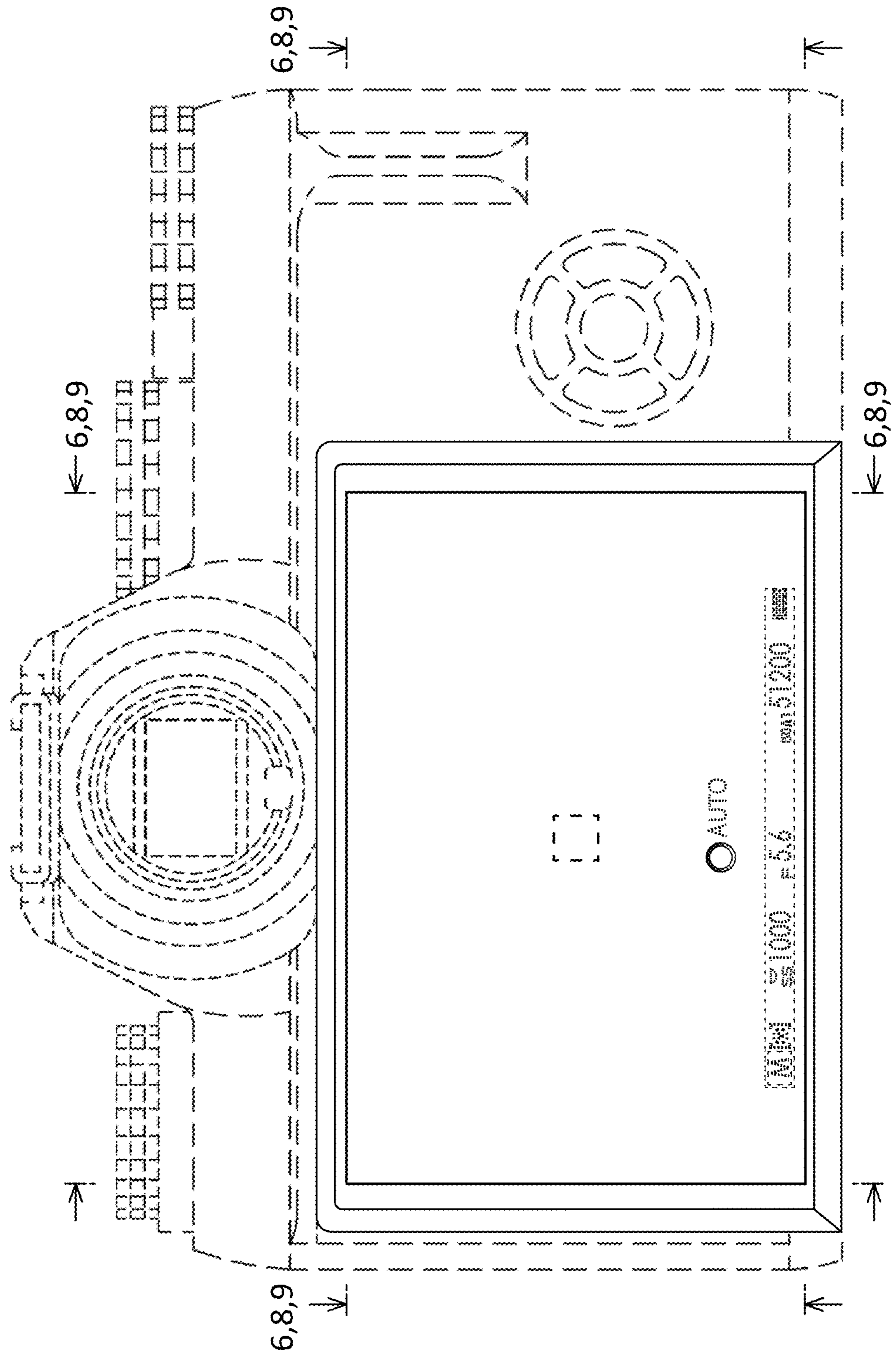


FIG.4

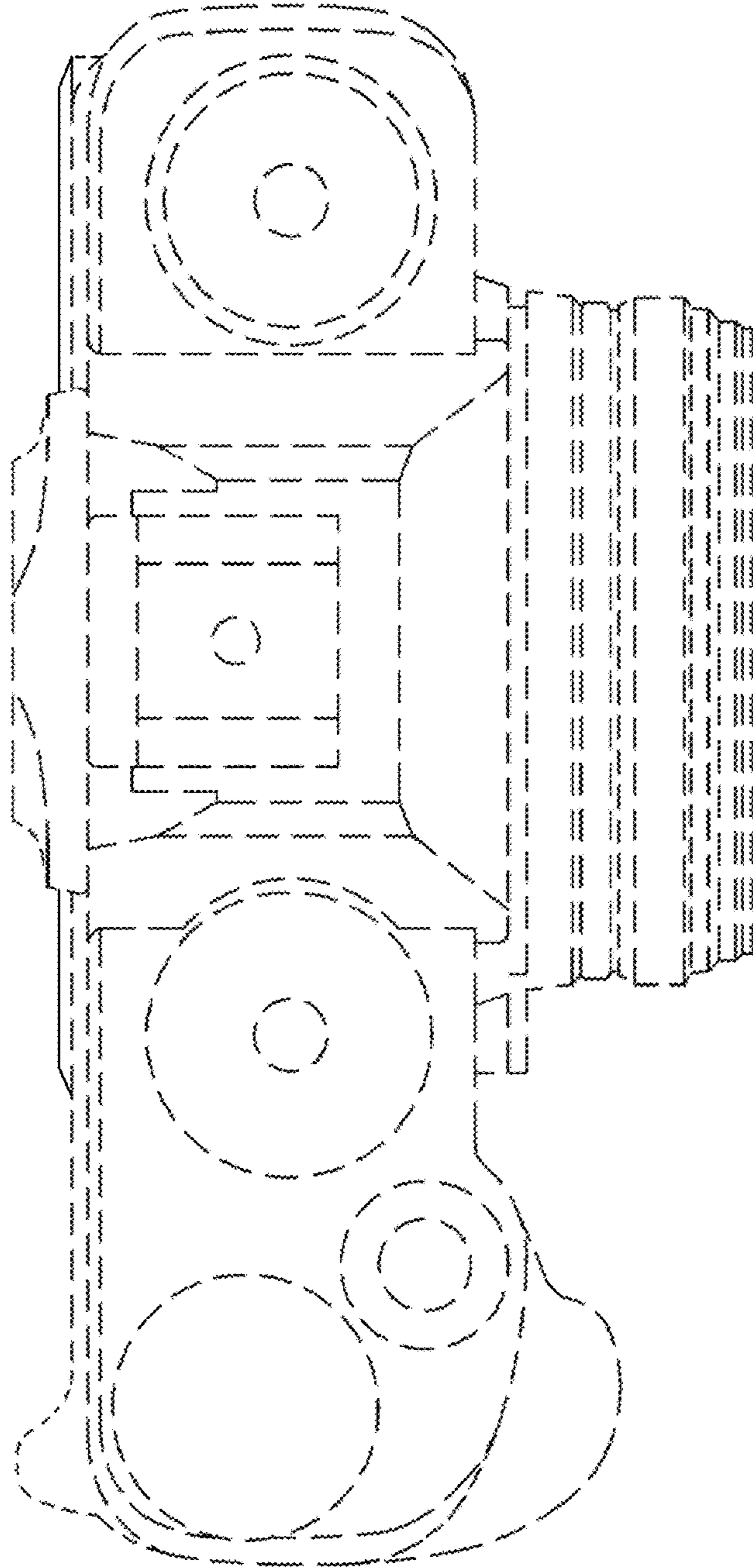


FIG.5

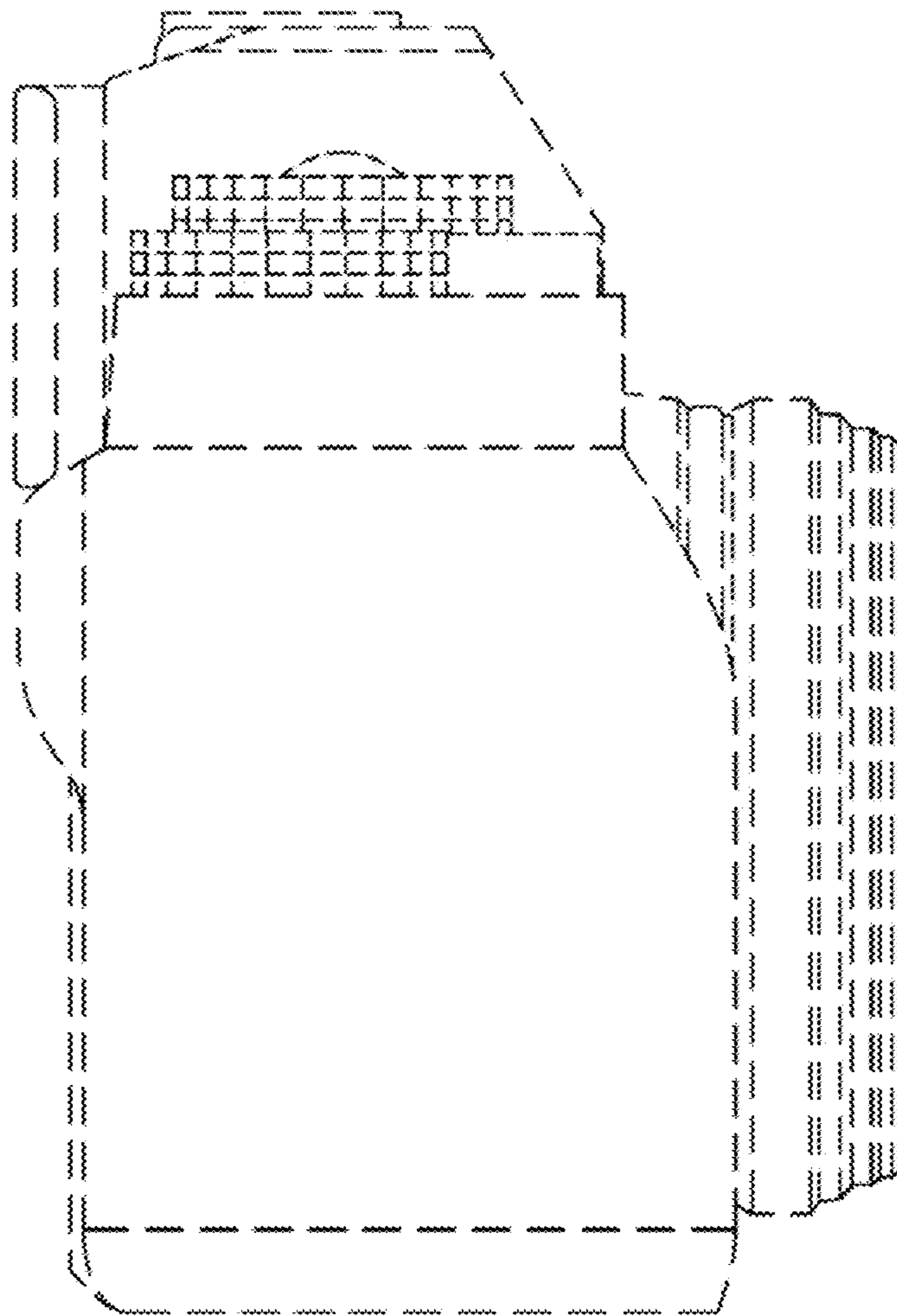


FIG.6

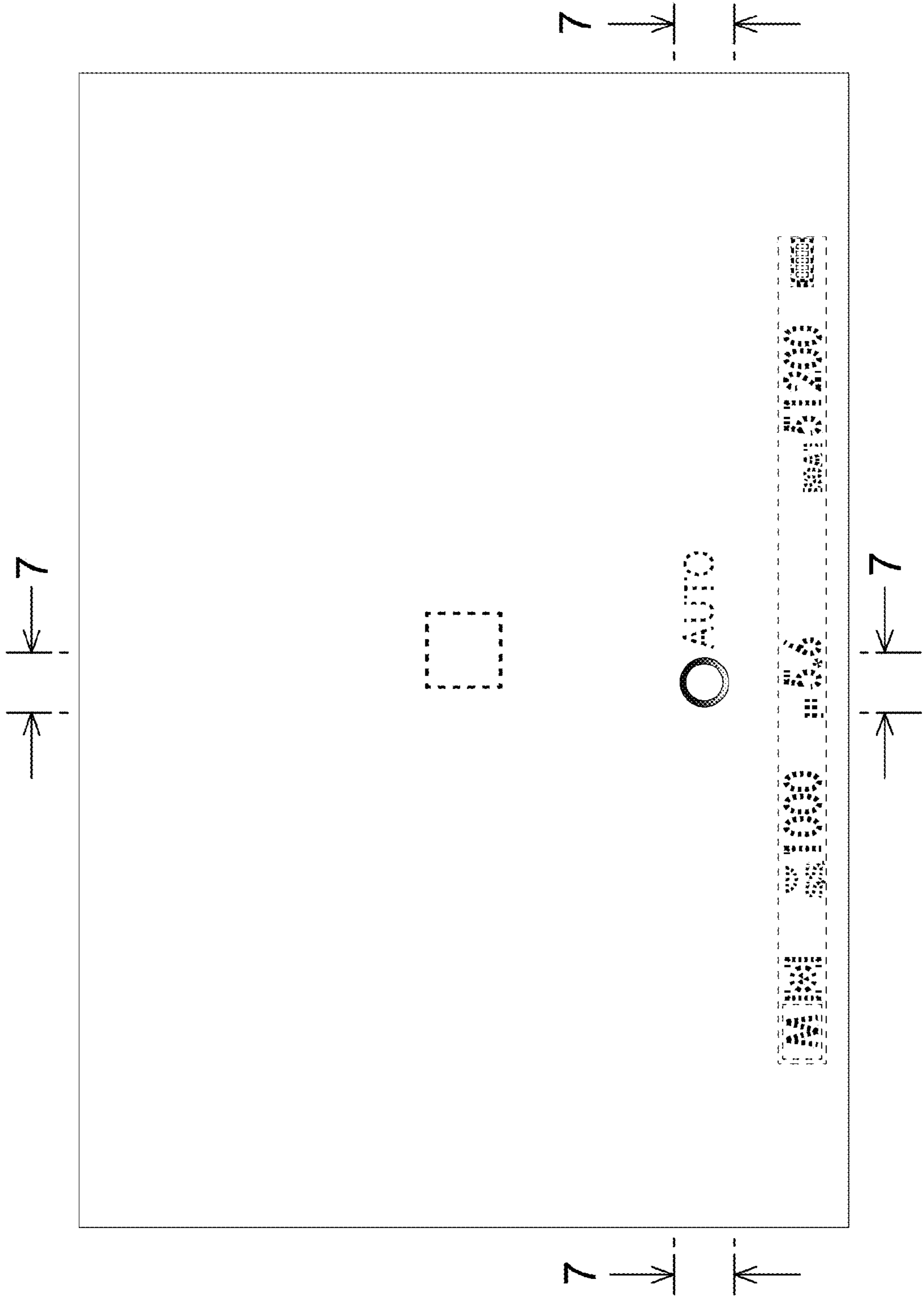




FIG.7

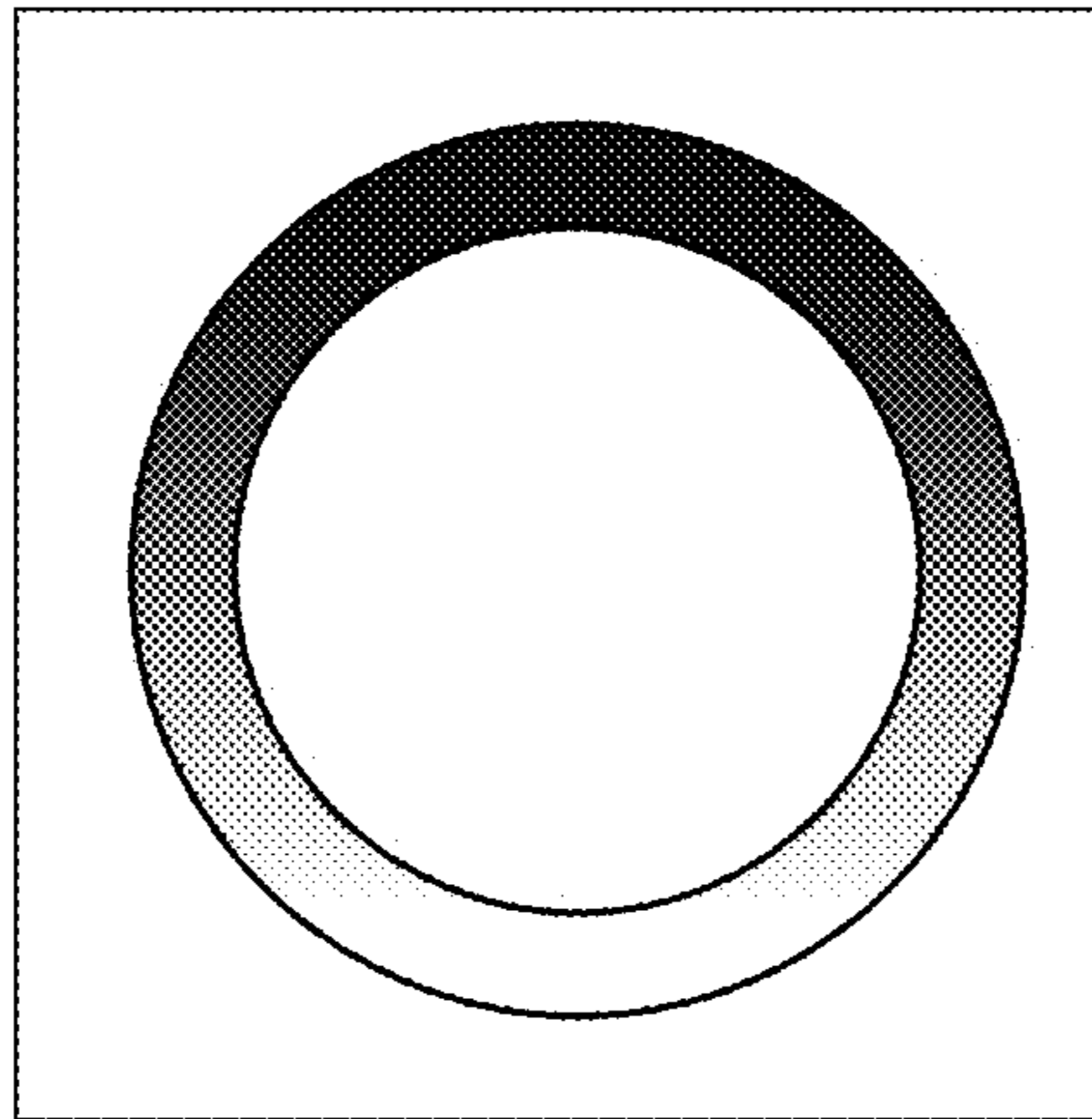


FIG. 8

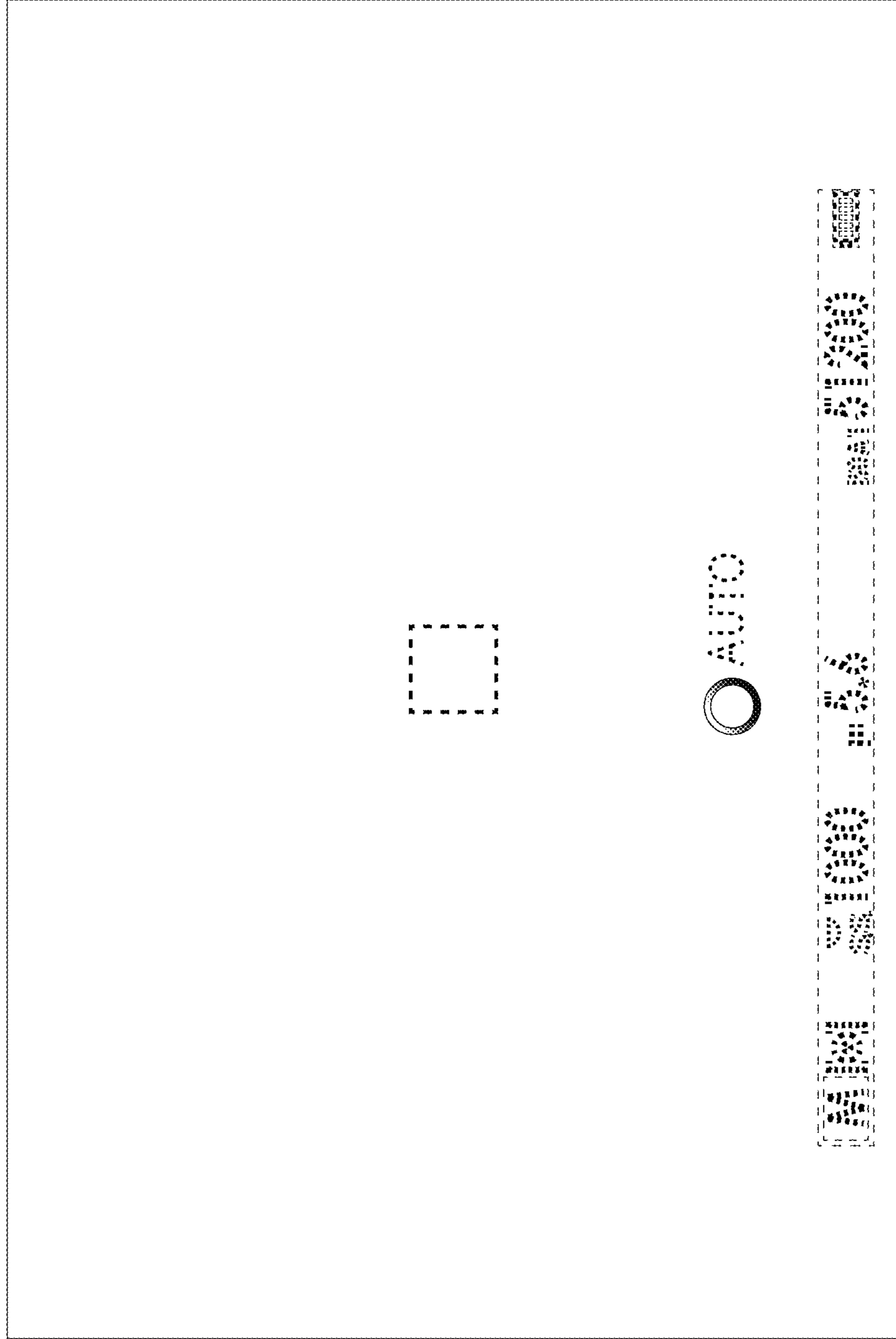


FIG. 9

