



US00D916709S

(12) **United States Design Patent**
Hung

(10) **Patent No.:** **US D916,709 S**
(45) **Date of Patent:** **** Apr. 20, 2021**

- (54) **SUPPORT ARM**
- (71) Applicant: **MODERNSOLID INDUSTRIAL CO., LTD.**, Taichung (TW)
- (72) Inventor: **Chin-Jui Hung**, Taichung (TW)
- (73) Assignee: **MODERNSOLID INDUSTRIAL CO., LTD.**, Taichung (TW)
- (**) Term: **15 Years**
- (21) Appl. No.: **29/670,924**
- (22) Filed: **Nov. 20, 2018**

9,835,290 B2 * 12/2017 Hunt F16M 13/022
 D822,671 S * 7/2018 Chu D14/452
 10,317,058 B2 * 6/2019 Hung F16M 11/06
 D859,422 S * 9/2019 Borloz D14/452
 2012/0235000 A1 * 9/2012 Borloz F16M 11/046
 248/284.1
 2014/0361134 A1 * 12/2014 Chuang F16M 13/02
 248/276.1

(Continued)

FOREIGN PATENT DOCUMENTS

CN 305843656 * 6/2020
 CN 306093108 * 10/2020
 WO D206143-004 * 3/2020

OTHER PUBLICATIONS

Amazon. Link: https://www.amazon.com/dp/B07T3KCQ94/ref=cm_sw_em_r_mt_dp_wgZcGb39ZQWK6?_encoding=UTF8&psc=1. Jul. 26, 2019. HUANUO Single Monitor Mount. (Year: 2019).*

(Continued)

Primary Examiner — Lauren D McVey

- (30) **Foreign Application Priority Data**
 Aug. 21, 2018 (TW) 107304909
- (51) **LOC (13) Cl.** **14-02**
- (52) **U.S. Cl.**
 USPC **D14/452**
- (58) **Field of Classification Search**
 USPC D14/447, 448, 449, 450, 451, 452, 239,
 D14/371, 372, 373, 374, 125, 127, 128,
 D14/129, 335-337, 375, 376, 377, 341;
 D8/355, 363, 373; D6/672, 682
 CPC F16M 11/2085; F16M 11/2092; F16M
 11/105; F16M 11/2007; F16M 11/2014;
 F16M 11/12; F16M 11/2021; F16M
 11/10; F16M 11/048; F16M 13/022
 See application file for complete search history.

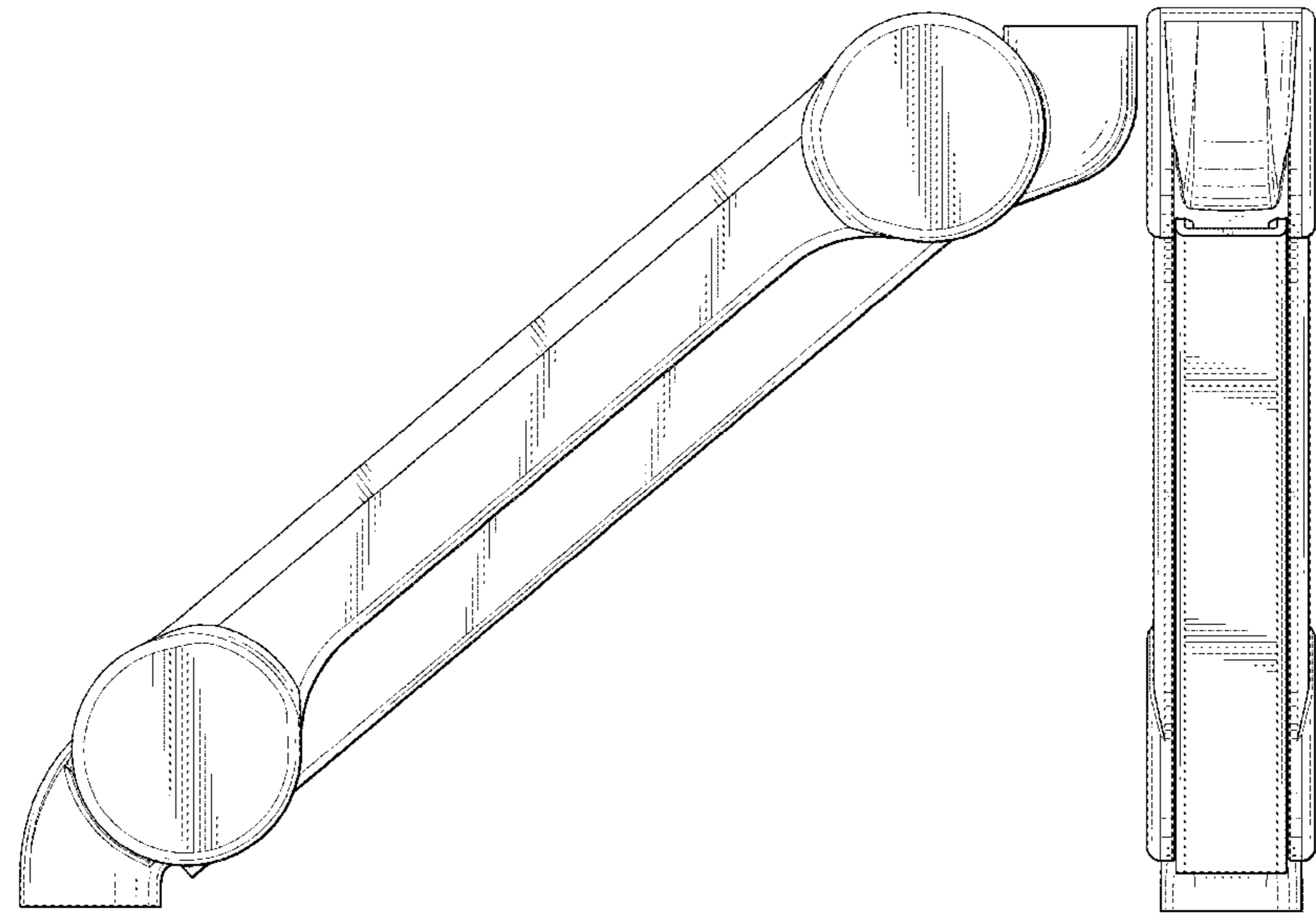
- (56) **References Cited**
U.S. PATENT DOCUMENTS
 D506,257 S * 6/2005 Smith D24/172
 D537,323 S * 2/2007 Saez D14/452
 8,960,632 B2 * 2/2015 Fallows F16M 11/2092
 248/575
 9,657,889 B1 * 5/2017 Chumakov F16M 11/2014
 D805,085 S * 12/2017 Xiang D14/452

- (57) **CLAIM**
 The ornamental design for a support arm, as shown and described.

DESCRIPTION

FIG. 1 is a perspective view of a support arm showing my new design;
 FIG. 2 is another perspective view thereof;
 FIG. 3 is a front elevational view thereof;
 FIG. 4 is a rear elevational view thereof;
 FIG. 5 is a left side elevational view thereof;
 FIG. 6 is a right side elevational view thereof;
 FIG. 7 is a top plan view thereof;
 FIG. 8 is a bottom plan view thereof; and,
 FIG. 9 is a perspective view of the design in an environment.

1 Claim, 9 Drawing Sheets



(56)

References Cited

U.S. PATENT DOCUMENTS

2020/0063910 A1* 2/2020 Hung F16M 11/2014
2020/0067290 A1* 2/2020 Hung F16M 11/10

OTHER PUBLICATIONS

Amazon. Link: https://www.amazon.com/dp/B07SVCZ2D4/ref=cm_sw_em_r_mt_dp_kpZcGbXYM6VS5. Jun. 5, 2019. Viozon Single Monitor Mount. (Year: 2019).*

Amazon. Link: https://www.amazon.com/dp/B07X262MRK/ref=cm_sw_em_r_mt_dp_VJ1ZZGBQQA11PSXT3DS9?_encoding=UTF8&psc=1. Aug. 29, 2019. HUANUO Dual Monitor Mount Stand—Long Double Arm Gas Spring Monitor Desk Mount. (Year: 2019).*

* cited by examiner

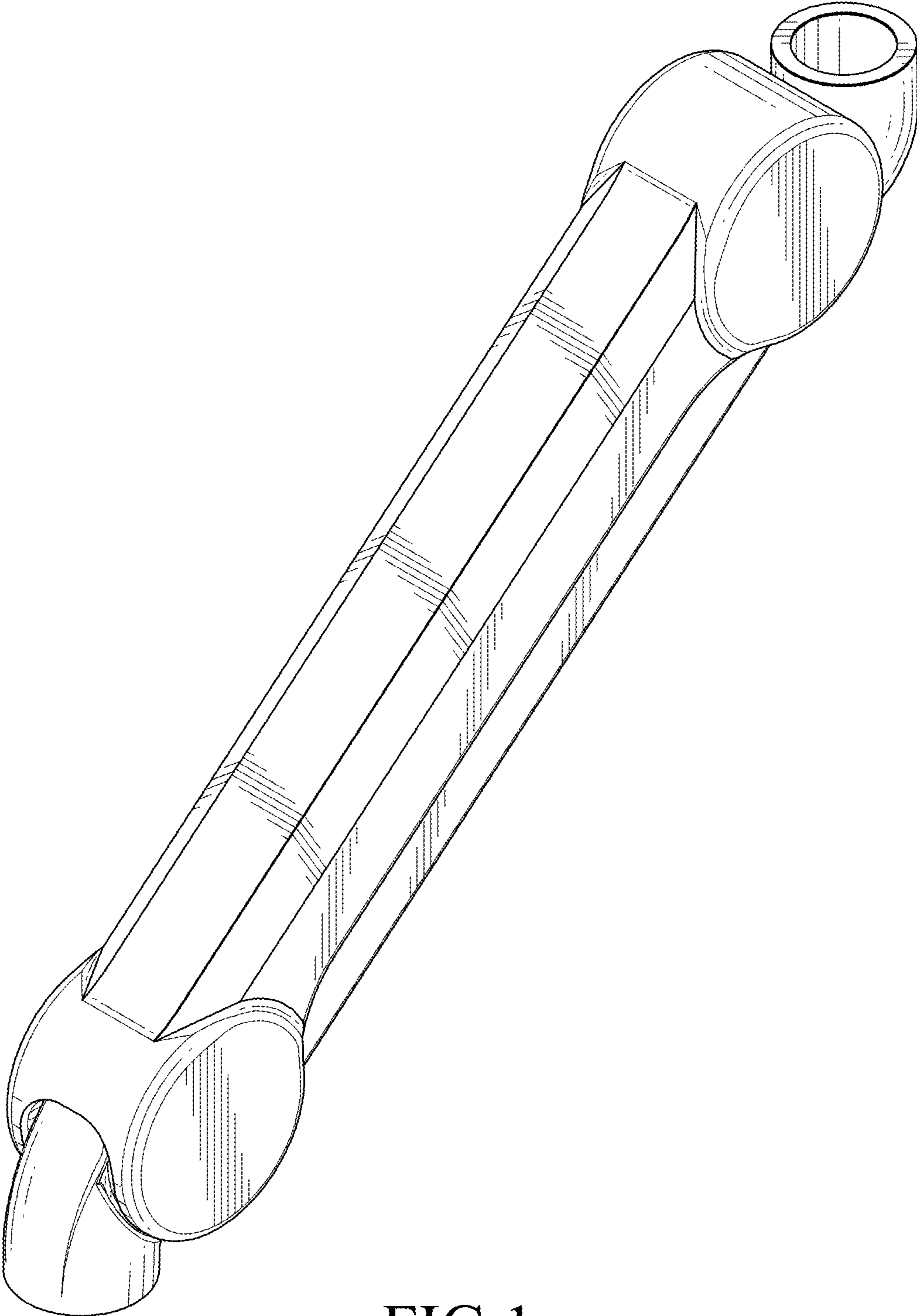


FIG.1

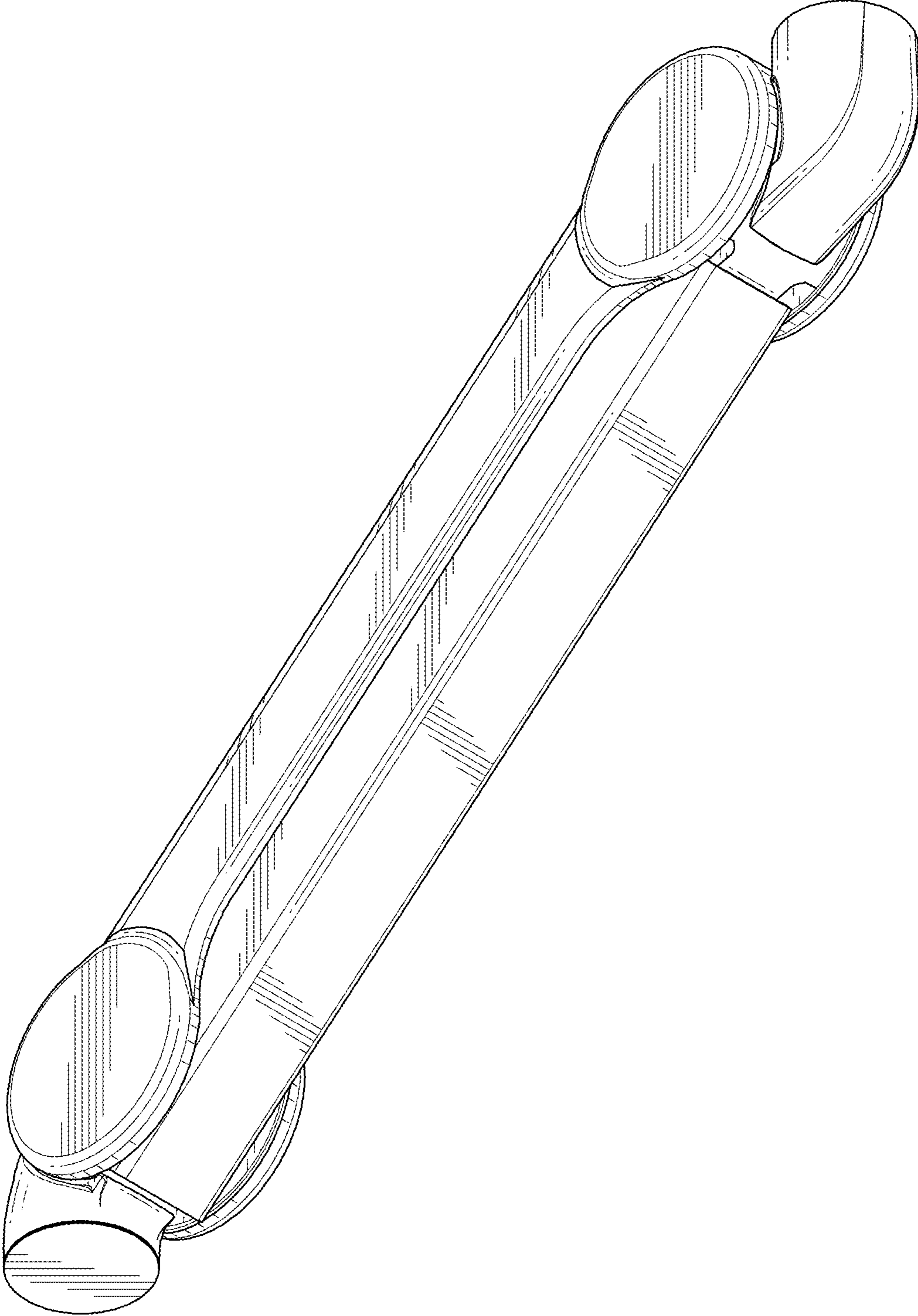


FIG.2

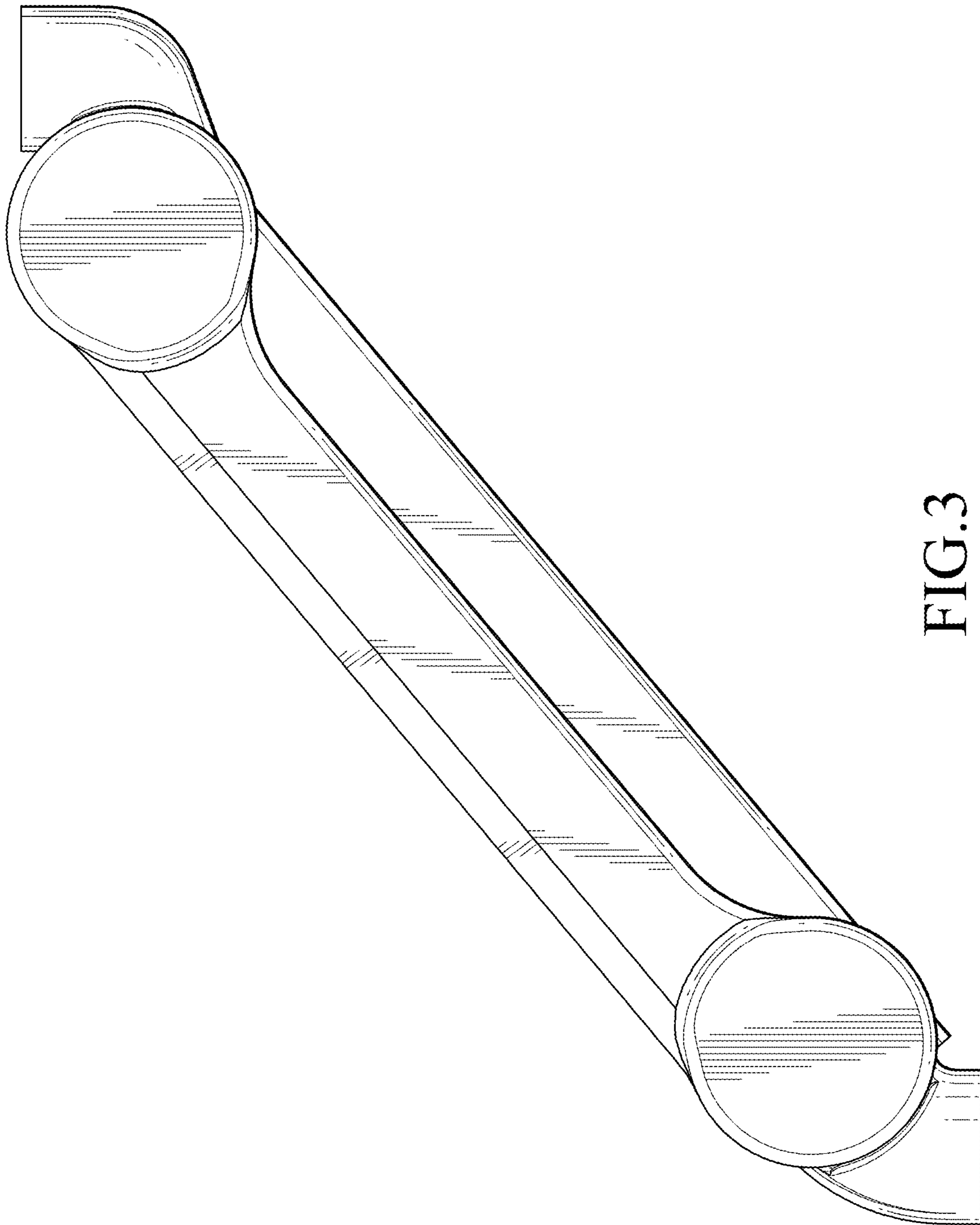


FIG. 3

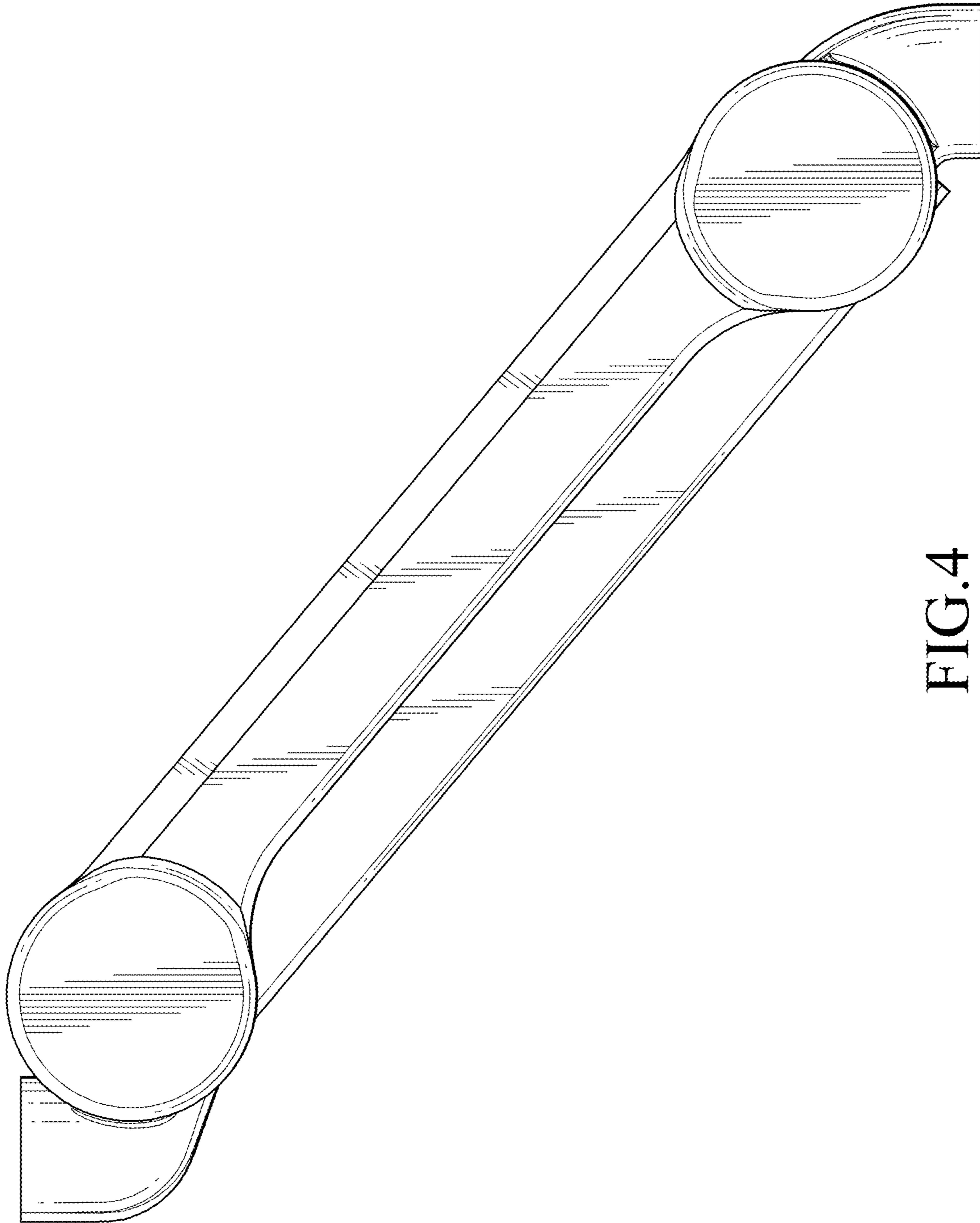


FIG. 4

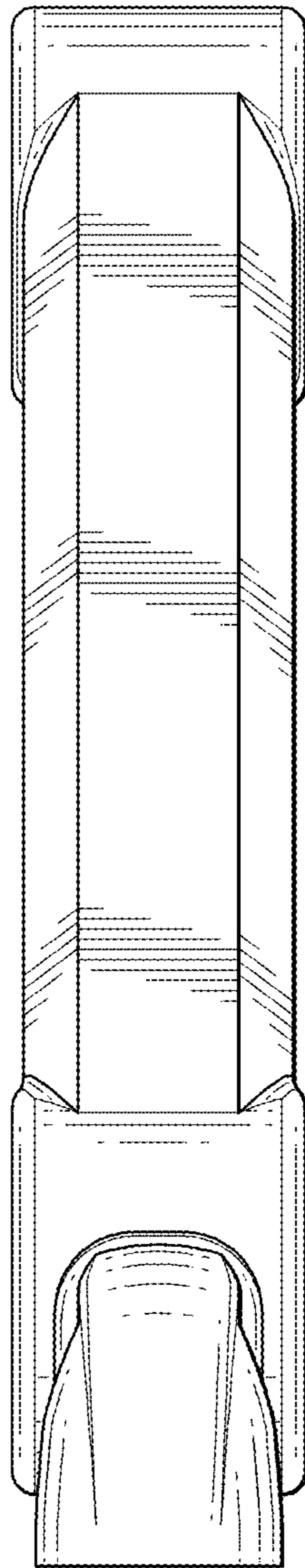


FIG.5

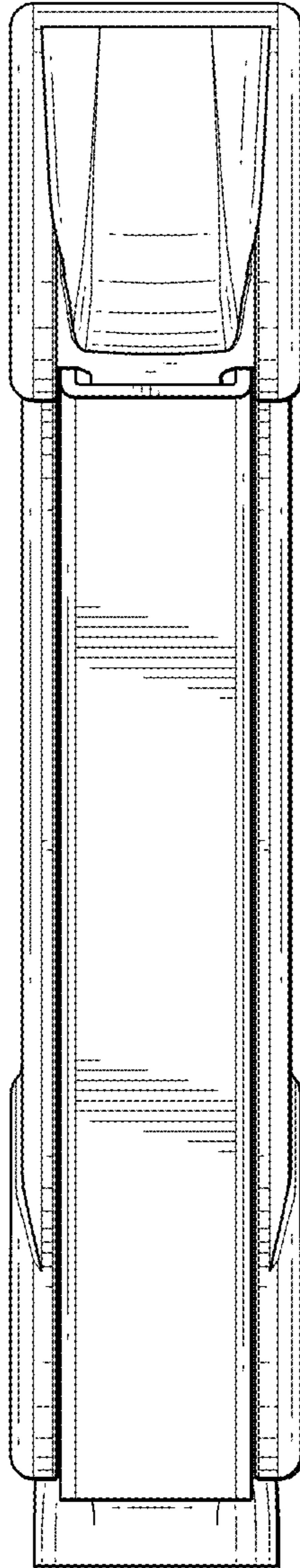


FIG.6

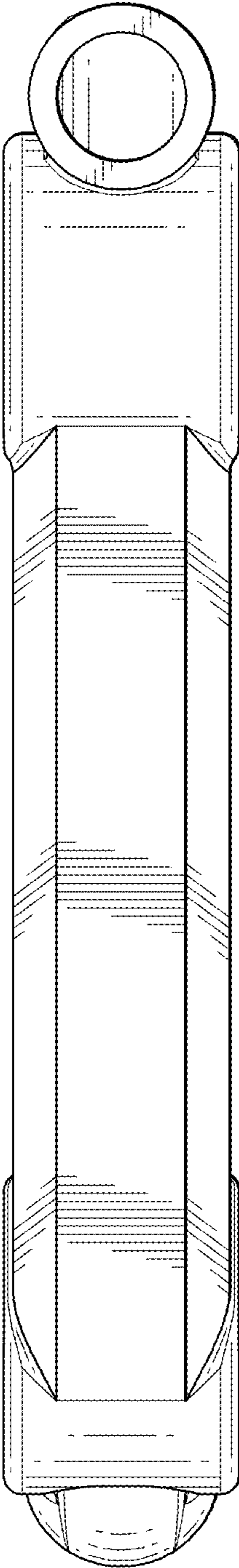


FIG. 7

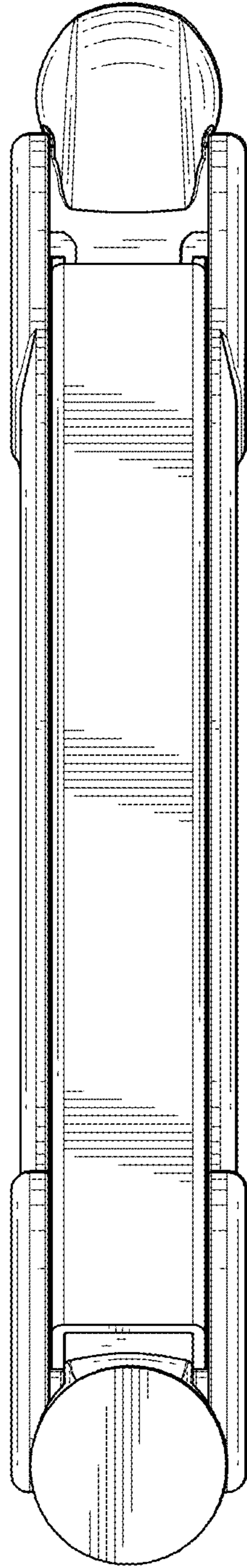


FIG. 8

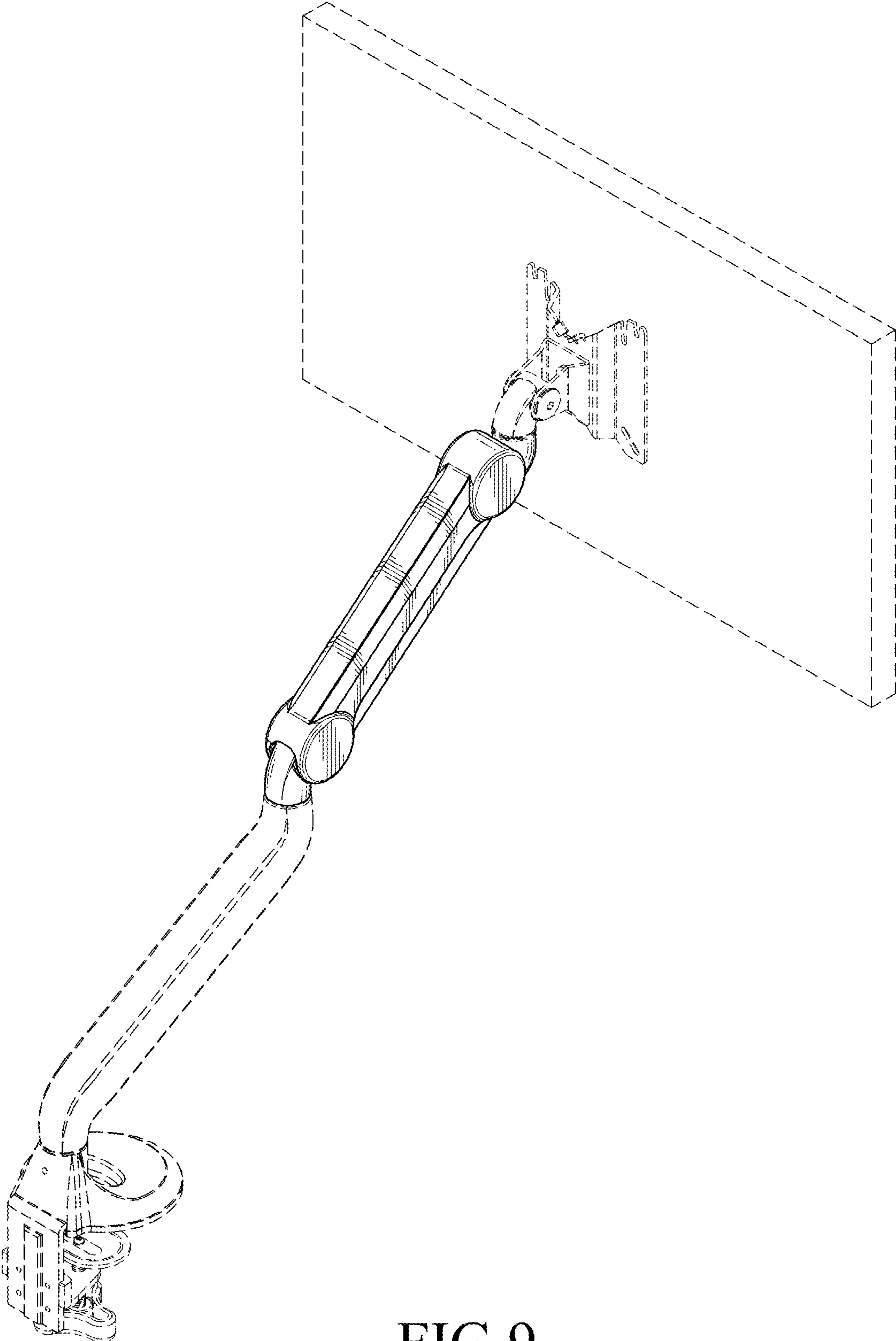


FIG.9