



US00D916706S

(12) **United States Design Patent**
Fan et al.

(10) **Patent No.:** **US D916,706 S**
(45) **Date of Patent:** **** Apr. 20, 2021**

(54) **GRAPHICS CARD**

(71) Applicant: **Cambricon Technologies Corporation Limited**, Beijing (CN)

(72) Inventors: **Hong Fan**, Beijing (CN); **Deheng Chen**, Beijing (CN); **Kai Ye**, Beijing (CN); **Shuai Chen**, Beijing (CN)

(73) Assignee: **CAMBRICON TECHNOLOGIES CORPORATION LIMITED**, Beijing (CN)

(**) Term: **15 Years**

(21) Appl. No.: **29/684,407**

(22) Filed: **Mar. 20, 2019**

(30) **Foreign Application Priority Data**

Jan. 28, 2019 (CN) 2019300480619

(51) **LOC (13) Cl.** **14-02**

(52) **U.S. Cl.**
USPC **D14/435**; D13/179

(58) **Field of Classification Search**
USPC D13/101, 118, 122, 123, 179, 182;
D14/435, 436, 437, 300, 356, 385, 432,
D14/434, 474; D15/199; D23/314, 330;
D26/138, 141, 142, 152
CPC H01L 23/467; H01L 23/473; G06F 1/20
See application file for complete search history.

(56) **References Cited**

U.S. PATENT DOCUMENTS

D333,464 S * 2/1993 Yoshida D14/435
D505,133 S * 5/2005 Ashida D13/147
D539,275 S * 3/2007 Furuya D13/182
D600,647 S * 9/2009 Hemmi D13/147
D733,145 S * 6/2015 Chen D14/435
9,471,115 B2 * 10/2016 Richard G06F 1/203

D854,545 S * 7/2019 Woo D14/435
D862,402 S * 10/2019 Lin D13/179
2007/0133179 A1 * 6/2007 Han H01L 23/467
361/719
2015/0264834 A1 * 9/2015 Ellis G06F 1/203
361/690
2015/0346783 A1 * 12/2015 Kinstle, III G06F 1/20
361/679.48
2018/0177067 A1 * 6/2018 Manushi H05K 1/181
2019/0208665 A1 * 7/2019 Tsai H05K 7/20254

OTHER PUBLICATIONS

“Processing Card User Manual”. Found online Mar. 23, 2020 at usermanual.wiki. Reference dated Sep. 1, 2018. Retrieved from <https://usermanual.wiki/Cambricon-Technologies/MLU100-D/html>. (Year: 2018).*

(Continued)

Primary Examiner — Kendra Leslie Hamilton

Assistant Examiner — Amanda Christensen

(74) *Attorney, Agent, or Firm* — Getech Law LLC; Jun Ye

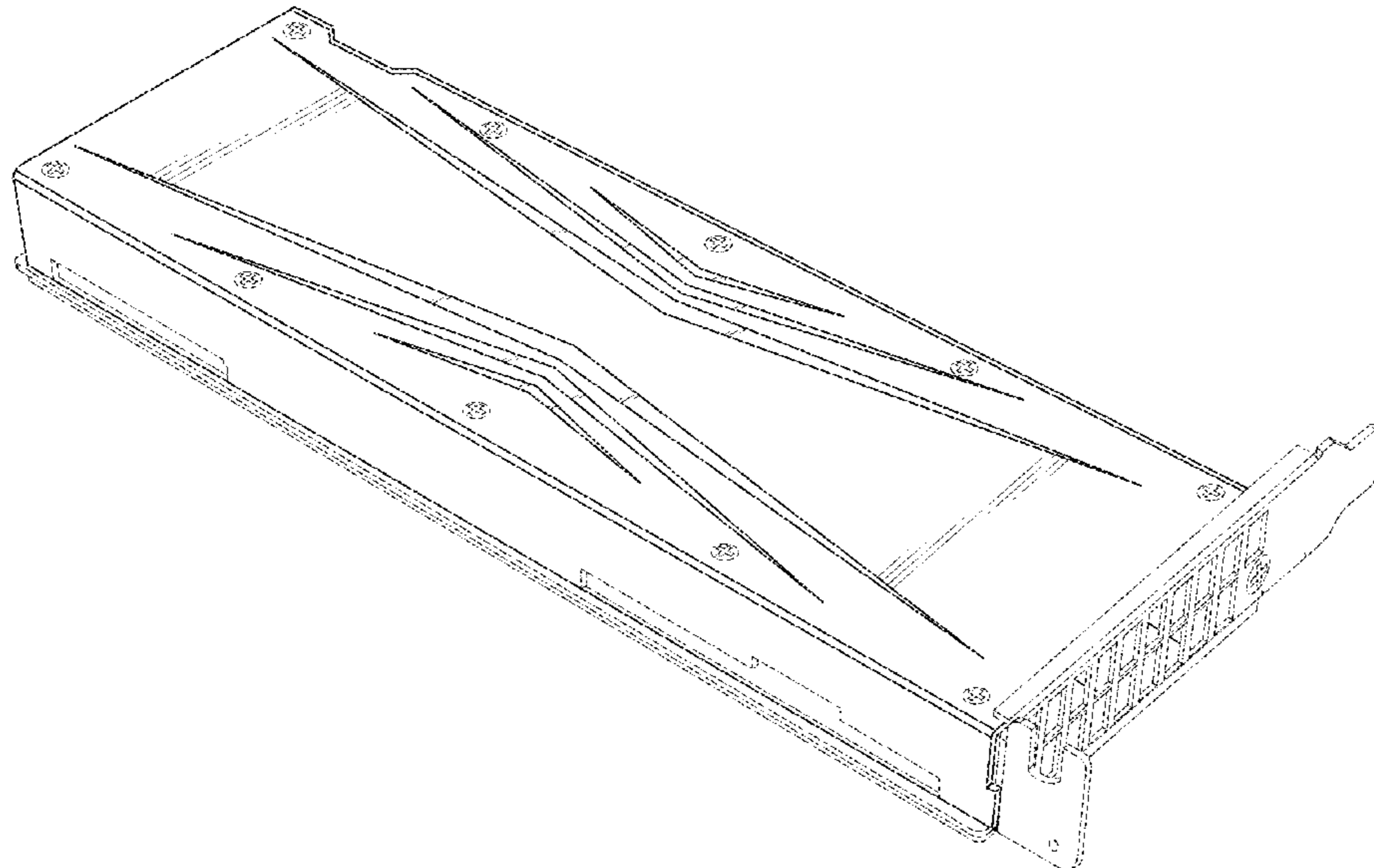
(57) **CLAIM**

The ornamental design for a graphics card, as shown and described.

DESCRIPTION

FIG. 1 is a front, right, top perspective view of a graphics card, showing our new design;
FIG. 2 is a front elevation view thereof;
FIG. 3 is a rear elevation view thereof;
FIG. 4 is a left side elevation view thereof;
FIG. 5 is a right side elevation view thereof;
FIG. 6 is a top plan view thereof; and,
FIG. 7 is a bottom plan view thereof.
The broken lines in the drawings depict portions of the graphics card that form no part of the claimed design.

1 Claim, 7 Drawing Sheets



(56)

References Cited

OTHER PUBLICATIONS

“WeMP”. Found online Mar. 23, 2020 at wemp.app. Reference dated Jun. 5, 2019. Retrieved from <https://wemp.app/posts/ba01965d-7e83-43c8-b892-d809ab9bc38b>. (Year: 2019).*

“Nvidia GPU”. Found online Mar. 23, 2020 at techpowerup.com. Reference dated Nov. 17, 2014. Retrieved from <https://www.techpowerup.com/207265/nvidia-breathes-life-into-kepler-with-the-gk210-silicon>. (Year: 2014).*

“AORUS Graphics Card”. Found online Mar. 23, 2020 at aorus.com. Reference dated Jun. 26, 2017. Retrieved from <https://www.aorus.com/news-detail.php?i=58>. (Year: 2017).*

* cited by examiner

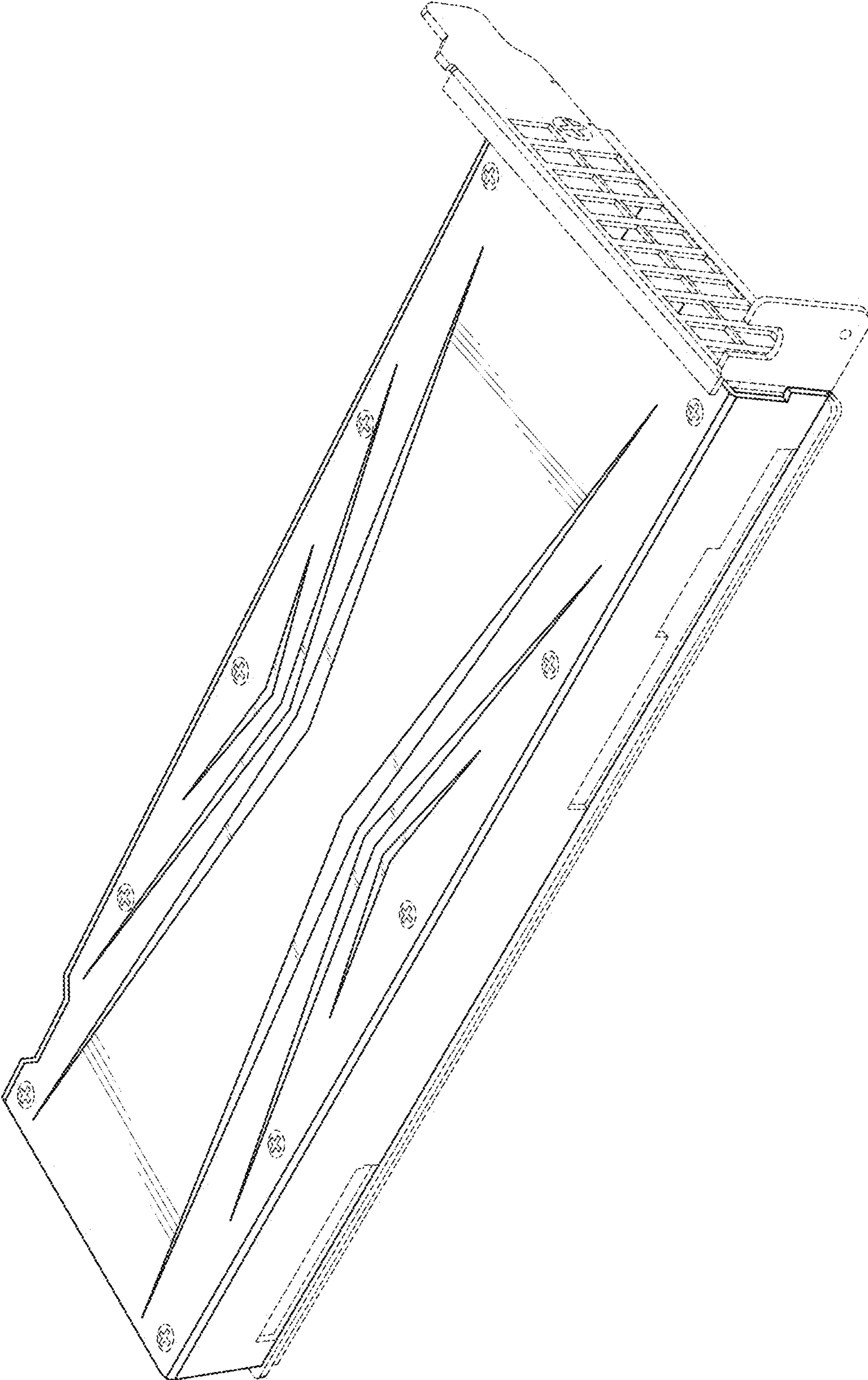


FIG. 1

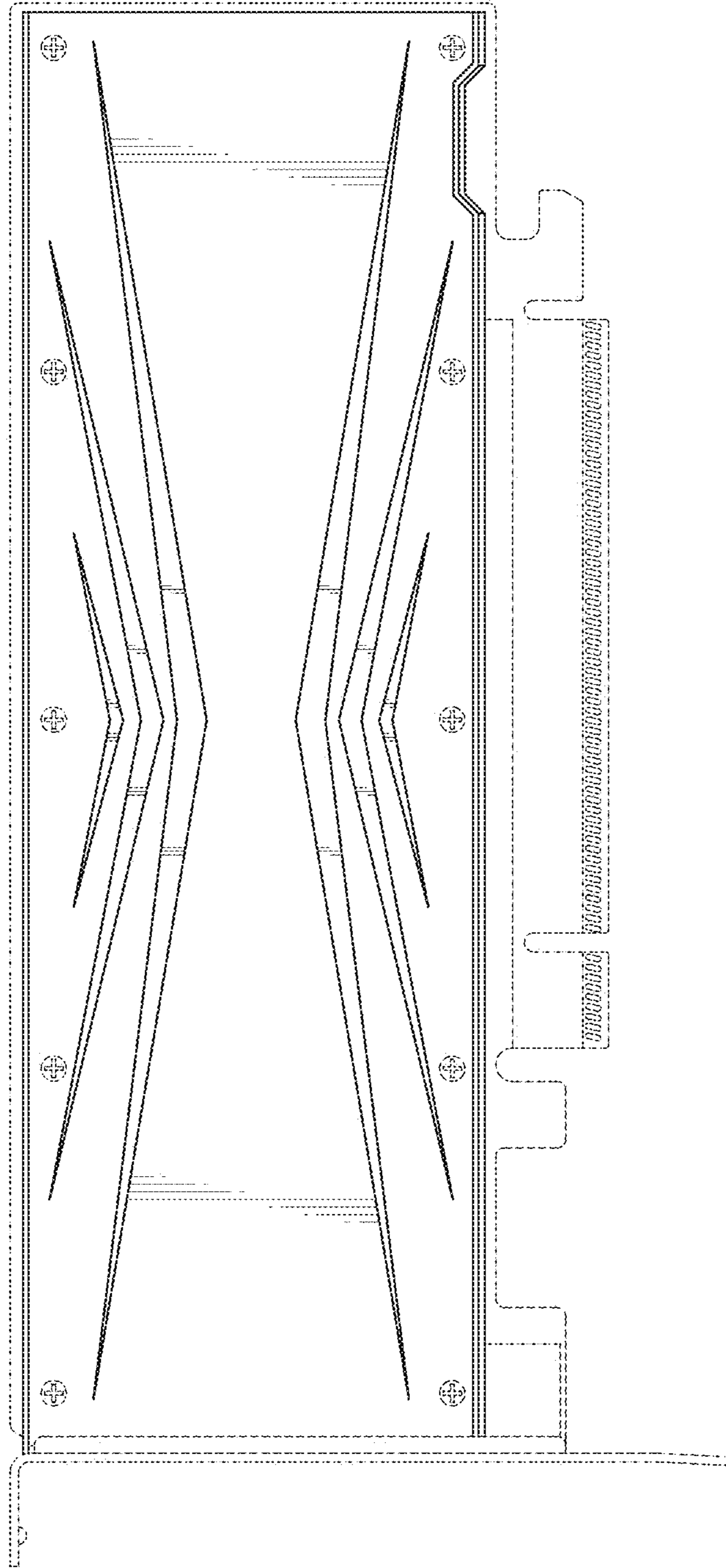


FIG. 2

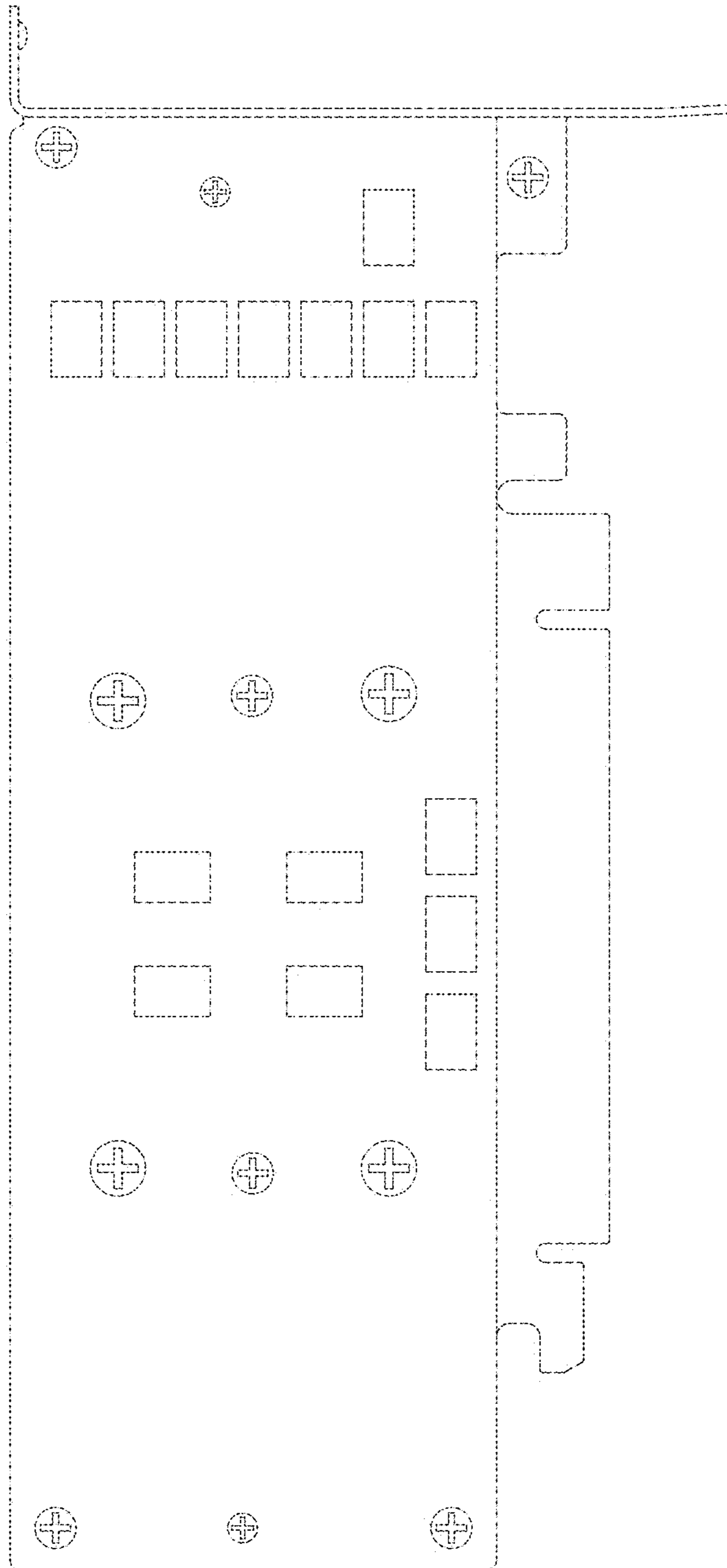


FIG. 3

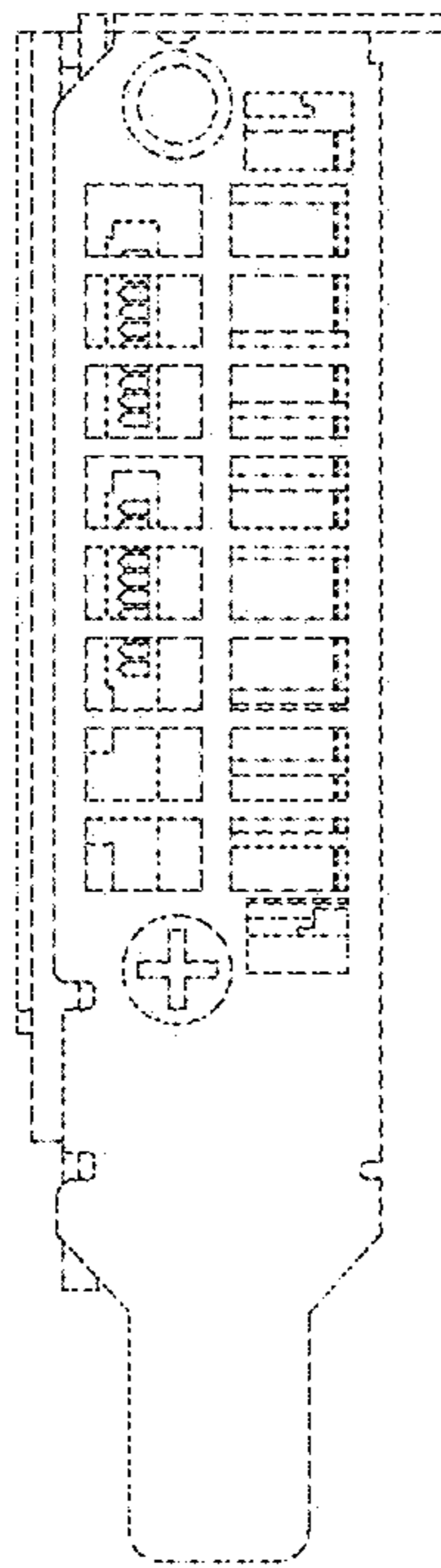


FIG. 4

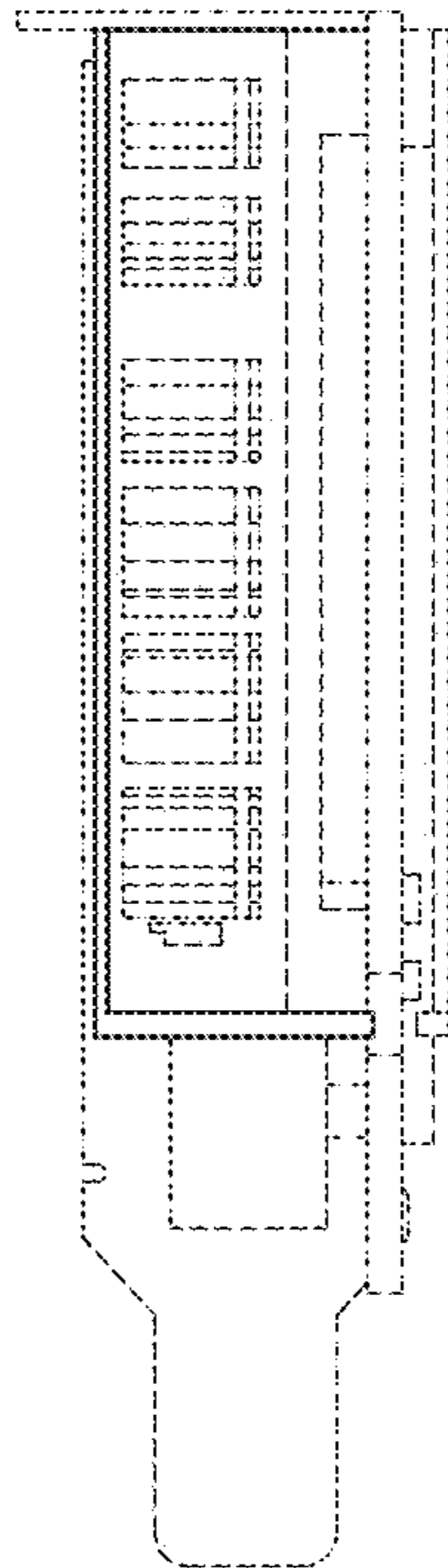


FIG. 5

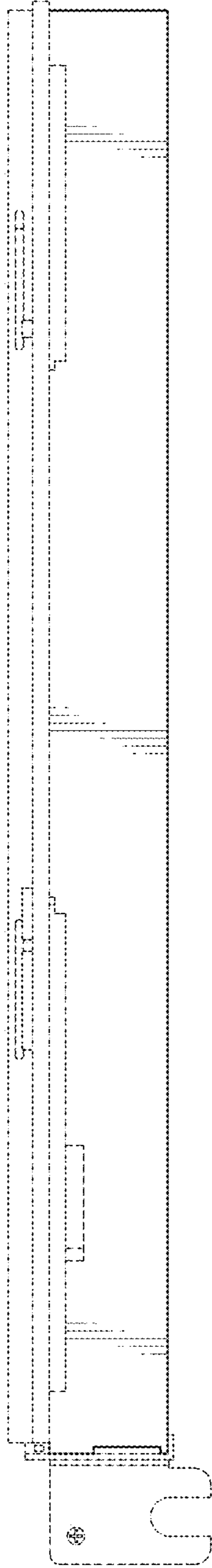


FIG. 6

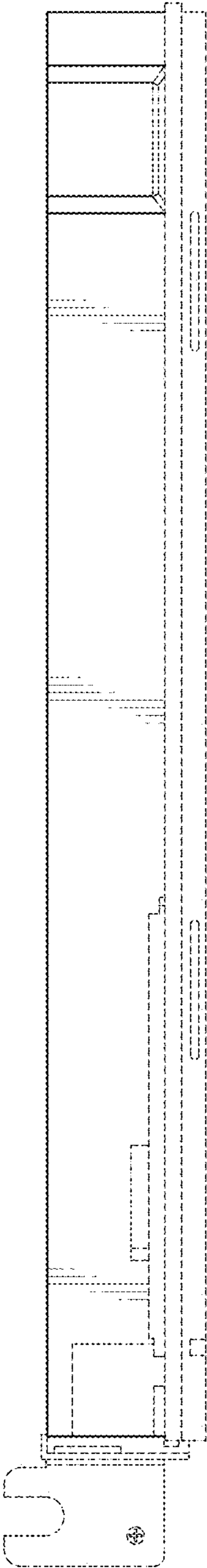


FIG. 7