



US00D916705S

(12) **United States Design Patent** (10) **Patent No.:** **US D916,705 S**  
**Liao** (45) **Date of Patent:** **\*\* Apr. 20, 2021**

(54) **MULTI-FUNCTIONAL ADAPTER**  
(71) Applicant: **GUANGDONG GOPOD GROUP CO., LTD.**, Guangdong (CN)  
(72) Inventor: **Zhuowen Liao**, Guangdong (CN)  
(73) Assignee: **GUANGDONG GOPOD GROUP CO., LTD.**, Shenzhen (CN)

D828,839 S *	9/2018	Zhang	.....	D14/433
D828,840 S *	9/2018	Zhang	.....	D14/433
D828,841 S *	9/2018	Zhang	.....	D14/433
D854,020 S *	7/2019	Liao	.....	D14/434
D856,278 S *	8/2019	Turksu	.....	D13/108
D880,481 S *	4/2020	Liao	.....	D14/433
D889,469 S *	7/2020	Zhang	.....	D14/433
D889,470 S *	7/2020	Zhang	.....	D14/433
D903,683 S *	12/2020	Zhang	.....	D14/433
D904,411 S *	12/2020	Zhang	.....	D14/433
D905,063 S *	12/2020	Liu	.....	D14/434

(\*\*) Term: **15 Years**

\* cited by examiner

(21) Appl. No.: **29/719,299**

*Primary Examiner* — Austin Murphy

(22) Filed: **Jan. 2, 2020**

(74) *Attorney, Agent, or Firm* — Workman Nydegger

(30) **Foreign Application Priority Data**

Oct. 30, 2019 (CN) ..... 201930595403.9

(51) **LOC (13) Cl.** ..... **14-02**

(52) **U.S. Cl.**  
USPC ..... **D14/433**

(58) **Field of Classification Search**  
USPC ..... D18/4.4, 4.5, 4.6, 12, 12.1, 12.3;  
D14/383, 384, 385, 386, 378  
CPC ..... G06K 19/07749; G06K 19/0723; G06K  
19/041; G06K 19/07758; G06K 19/0775;  
G06K 19/07783; G06K 19/07794; G06K  
19/06046; G06K 19/07722; G06K  
19/07773; G06K 19/07779; G06K  
19/07784; G06K 19/07786; G06K  
19/0709

See application file for complete search history.

(56) **References Cited**

**U.S. PATENT DOCUMENTS**

D788,112 S \* 5/2017 Liao ..... D14/433  
D798,811 S \* 10/2017 Liao ..... D13/110

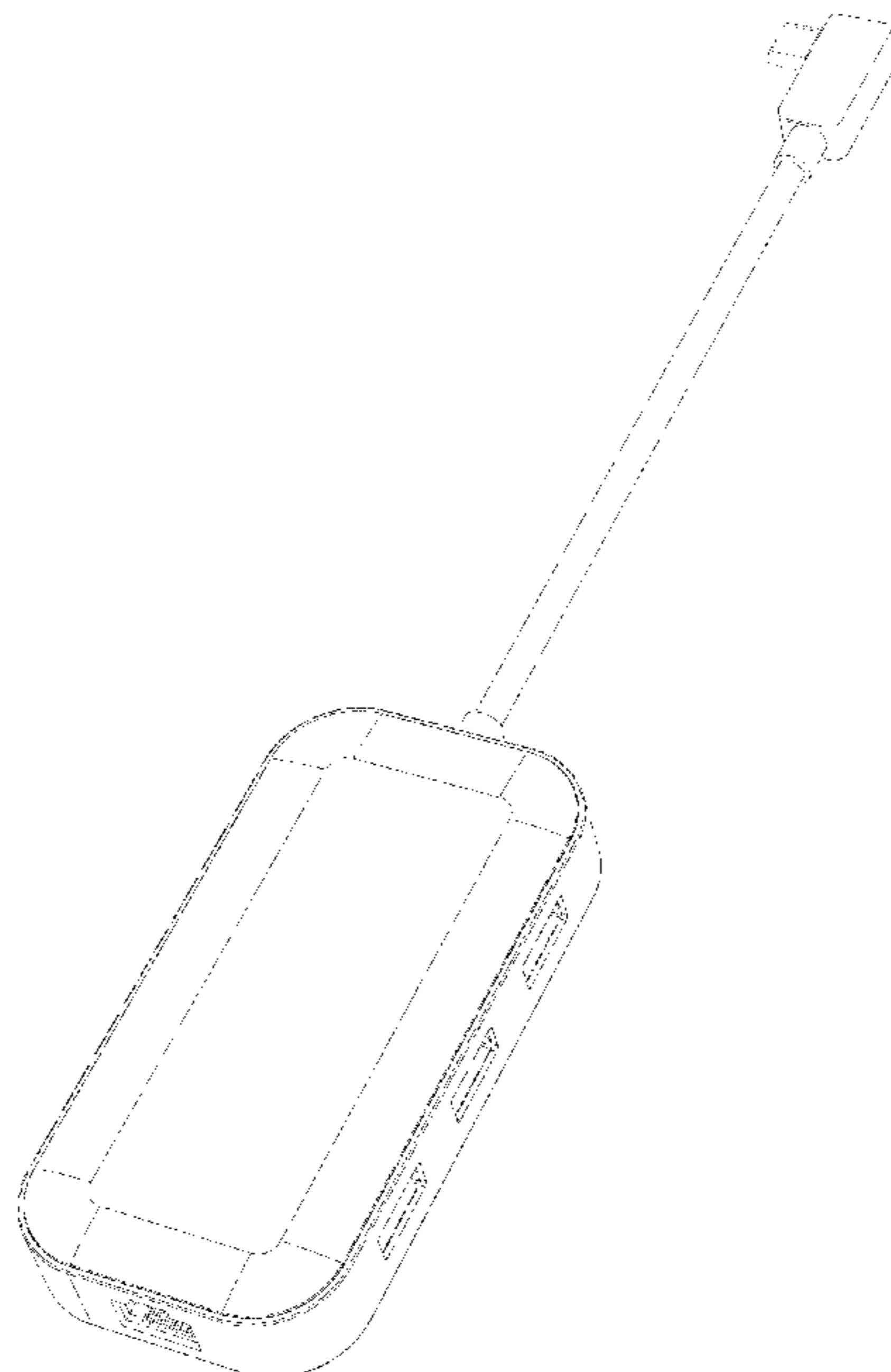
(57) **CLAIM**

The ornamental design for a “multi-functional adapter”, as shown and described.

**DESCRIPTION**

FIG. 1 is a front perspective view of a multi-functional adapter showing my new design;  
FIG. 2 is another front perspective view of the design of FIG. 1, rotated by 180 degrees;  
FIG. 3 is a front view of the design of FIG. 1;  
FIG. 4 is a rear view of the design of FIG. 1;  
FIG. 5 is a left side view of the design of FIG. 1;  
FIG. 6 is a right side view of the design of FIG. 1;  
FIG. 7 is a top view of the design of FIG. 1; and,  
FIG. 8 is a bottom view of the design of FIG. 1.  
The broken lines in the figures depict portions of the multi-functional adapter that form no part of the claimed design.

**1 Claim, 8 Drawing Sheets**



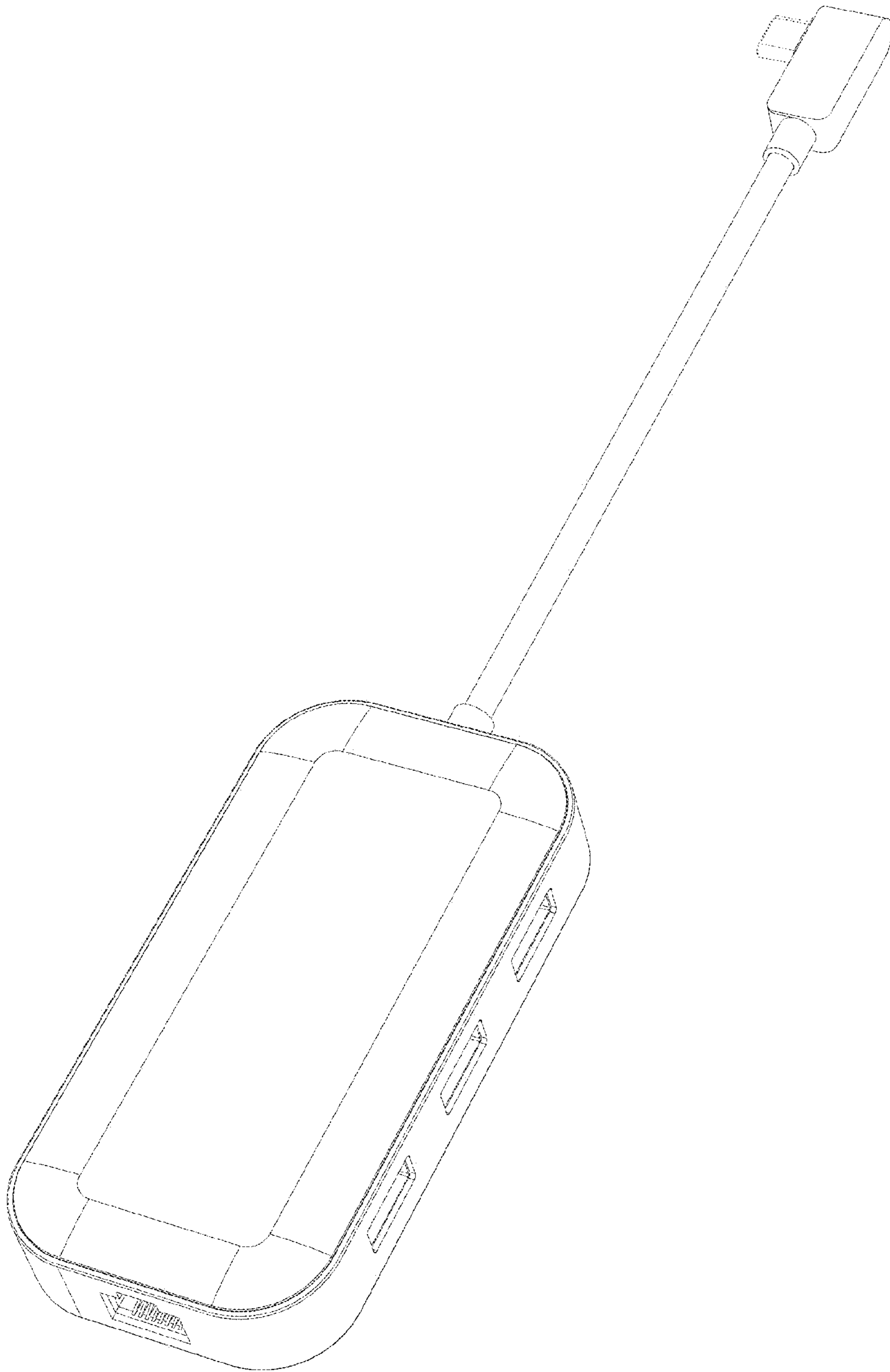


Fig. 1

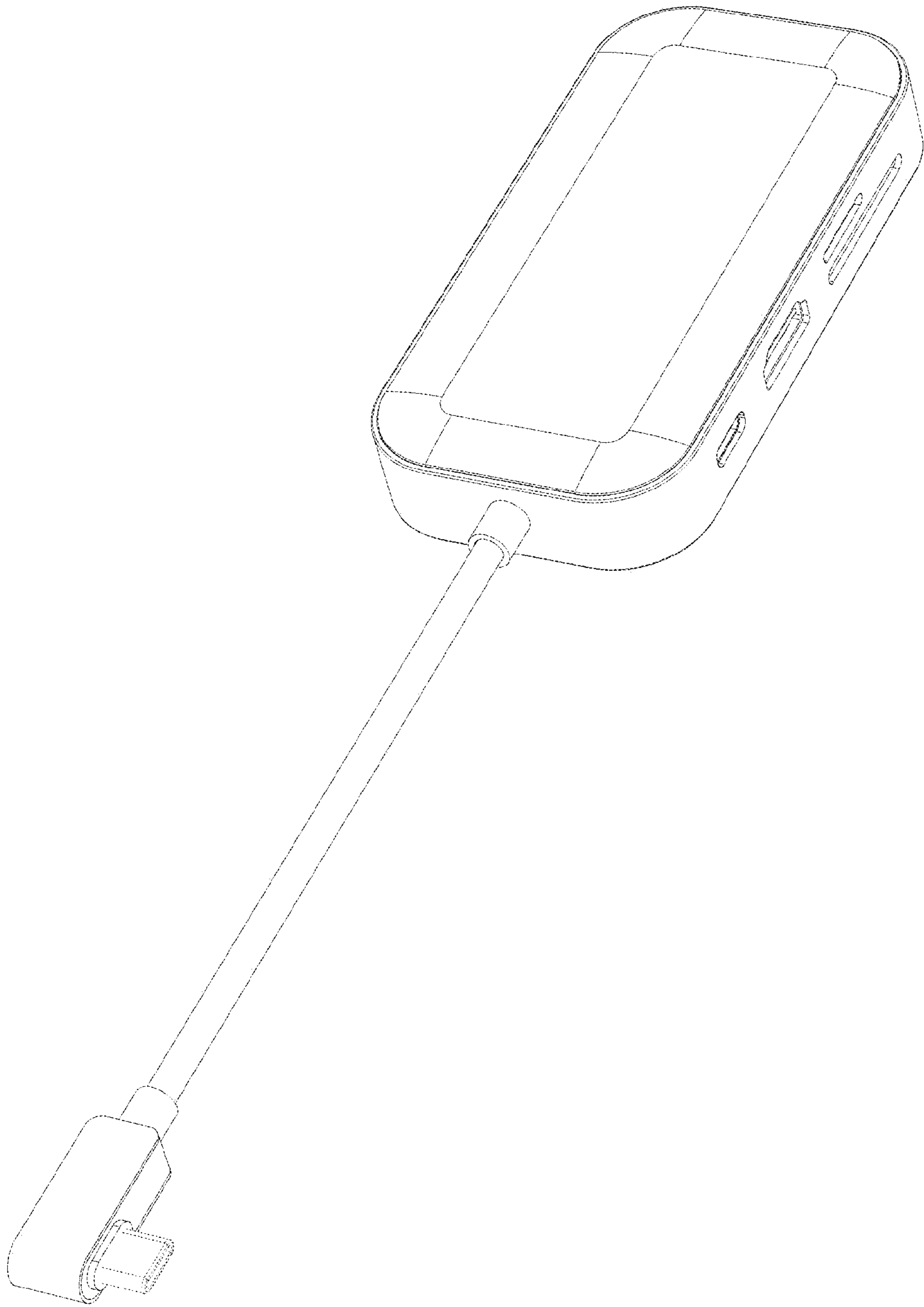


Fig. 2

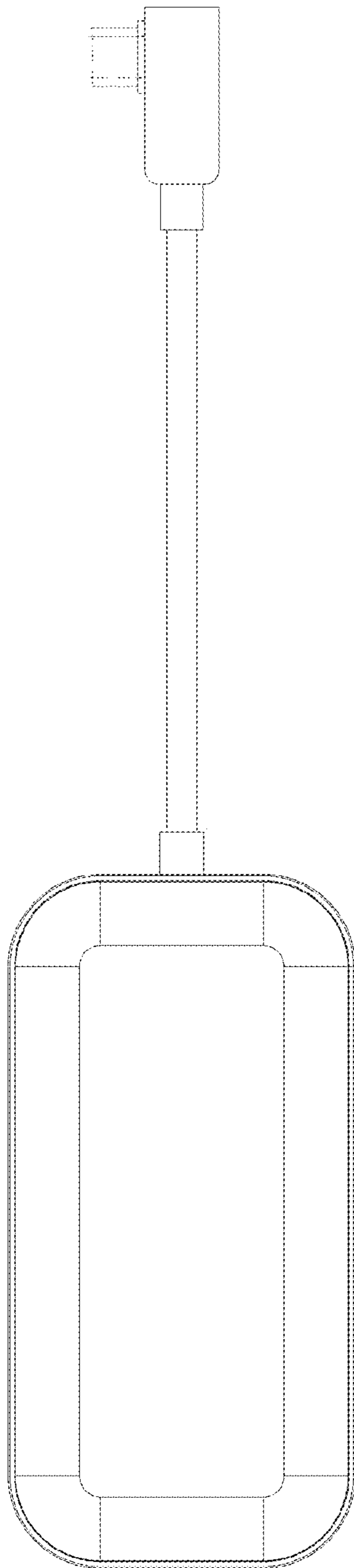


Fig. 3

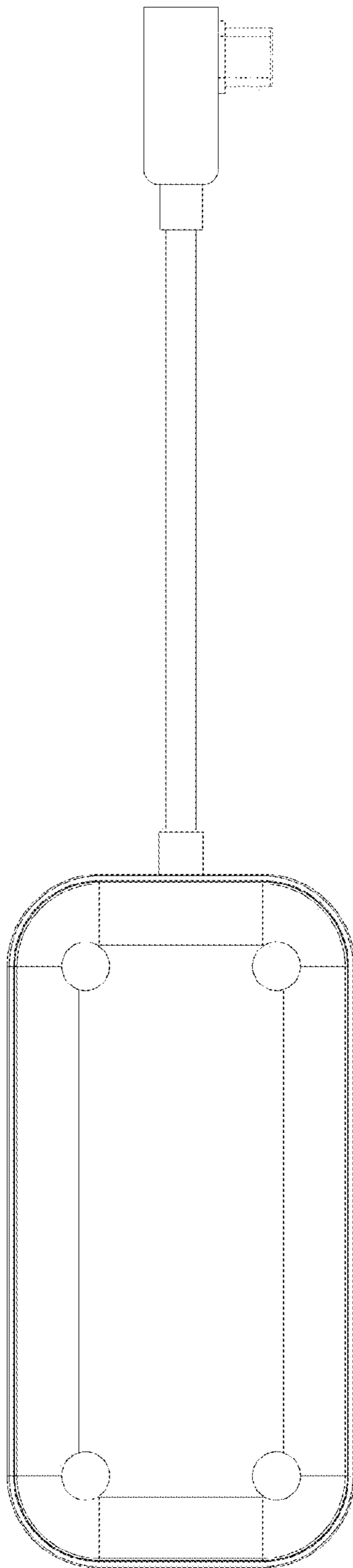


Fig.4

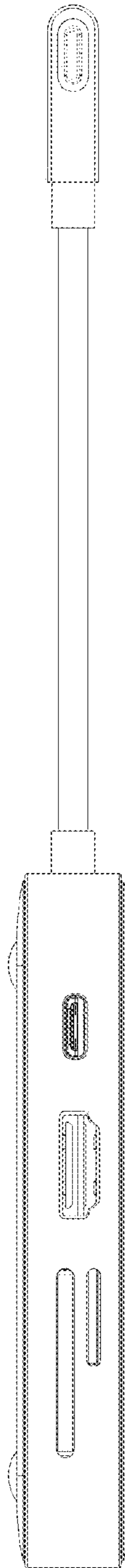


Fig. 5

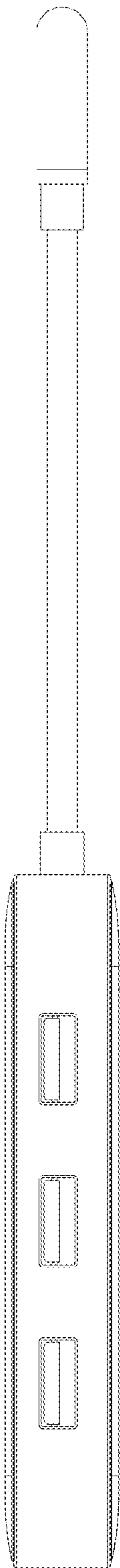


Fig. 6

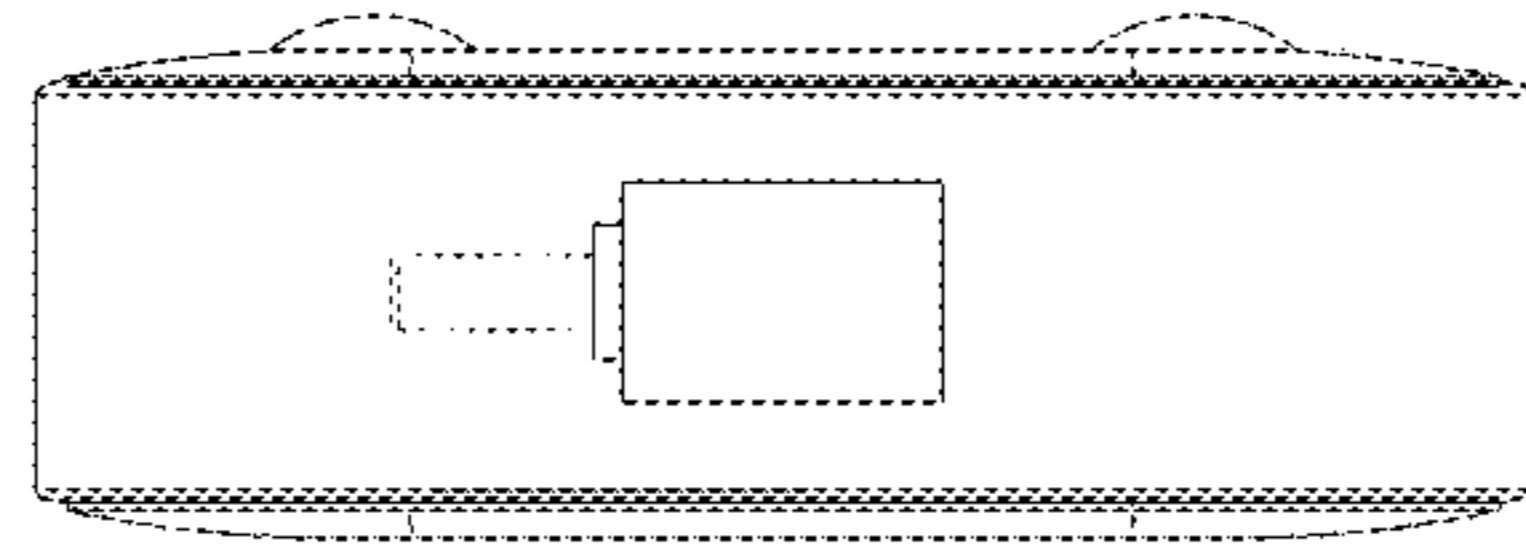


Fig. 7



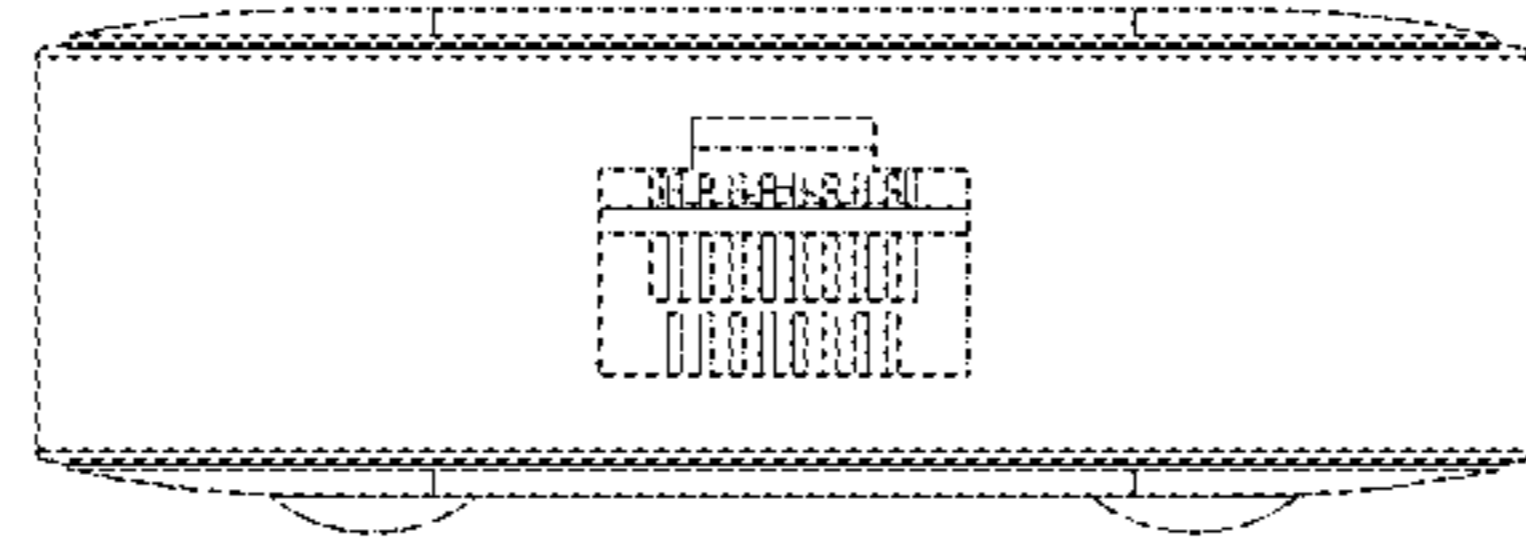


Fig. 8