



US00D916704S

(12) **United States Design Patent**
Ding et al.

(10) **Patent No.:** **US D916,704 S**

(45) **Date of Patent:** **** Apr. 20, 2021**

(54) **STYLUS PEN FOR OPERATING TOUCH PANEL**

(71) Applicant: **Shanghai Xstar Technology Co., Ltd,**
Shanghai (CN)

(72) Inventors: **Jun Ding,** Shanghai (CN); **Tao Cheng,**
Shanghai (CN); **Yuyan Zhu,** Shanghai
(CN); **Qiyong Wang,** Shanghai (CN);
Guosheng Liu, Shanghai (CN)

(73) Assignee: **Shanghai Xstar Technology Co., Ltd,**
Shanghai (CN)

(**) Term: **15 Years**

(21) Appl. No.: **29/673,382**

(22) Filed: **Dec. 13, 2018**

(30) **Foreign Application Priority Data**

Jun. 20, 2018 (CN) 201830316112.7

(51) **LOC (13) Cl.** **14-02**

(52) **U.S. Cl.**
USPC **D14/411**

(58) **Field of Classification Search**
USPC D14/372, 496, 432, 371, 125, 126, 129,
D14/299, 411; D16/300-342; 351/158,
351/153, 144; 345/7-9, 905; 455/344;
348/115, 53, 121, 739
CPC G02B 27/017; G06F 3/016; G06F 3/033;
G06F 3/0317; G06F 3/03545; G06F
3/041; G06K 9/222
See application file for complete search history.

(56) **References Cited**

U.S. PATENT DOCUMENTS

D399,255 S * 10/1998 Melnick D19/173
D501,877 S * 2/2005 Granick D19/186

D601,192 S * 9/2009 Chen D19/182
D641,755 S * 7/2011 Rashid D14/411
D660,910 S * 5/2012 Carpenter D19/133
D681,113 S * 4/2013 Huang D19/185
D686,619 S * 7/2013 Liu D14/411
D688,665 S * 8/2013 Huang D14/411
D718,312 S * 11/2014 Boisdevesys D14/411
D743,964 S * 11/2015 Swessi D14/411
D744,038 S * 11/2015 Wang D19/182
D768,133 S * 10/2016 Reed D14/411
D825,566 S * 8/2018 Peterson D14/411
D826,230 S * 8/2018 Peterson D14/411
D851,704 S * 6/2019 Vadenne D19/195
D864,298 S * 10/2019 Li D19/177
D879,778 S * 3/2020 Nakajima D14/411
D884,788 S * 5/2020 Bohrer D19/163

(Continued)

Primary Examiner — Austin Murphy

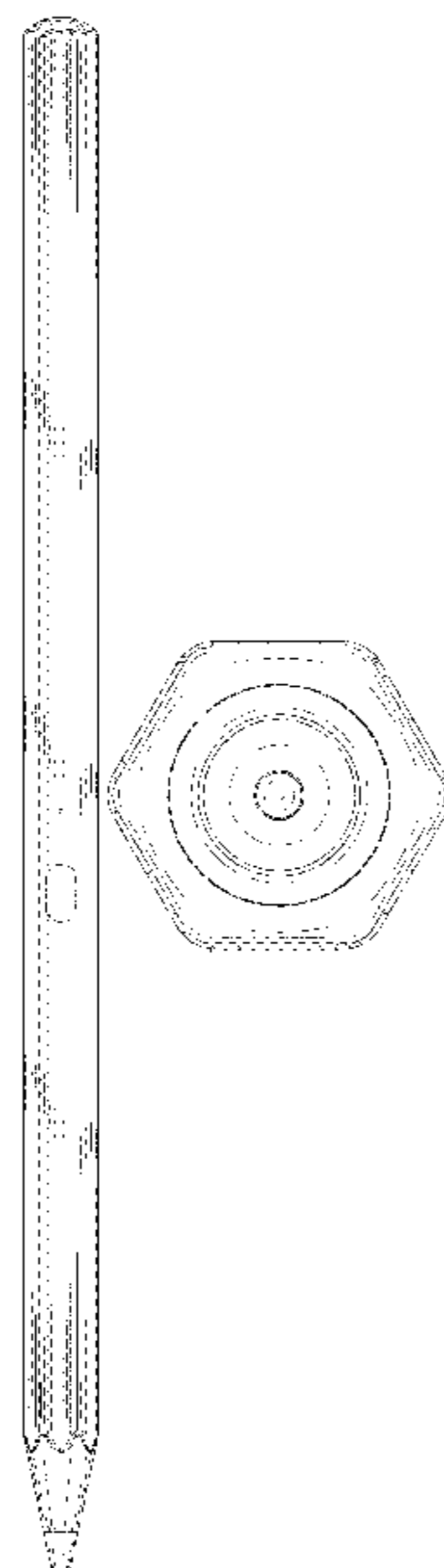
(57) **CLAIM**

The ornamental design for a stylus pen for operating touch panel, as shown and described.

DESCRIPTION

FIG. 1 is a front elevational view of a stylus pen for operating touch panel showing our new design;
FIG. 2 is a rear elevational view thereof;
FIG. 3 is a left side view thereof;
FIG. 4 is a right side view thereof;
FIG. 5 is a top plan view thereof;
FIG. 6 is a bottom plan view thereof;
FIG. 7 is a top, front, and right side perspective view thereof;
FIG. 8 is bottom, front, and right side perspective view thereof;
FIG. 9 is an enlarged view of portion 9 in FIG. 7; and,
FIG. 10 is an enlarged view of portion 10 in FIG. 8.
The broken lines in the drawings illustrate portions of the stylus pen for operating touch panel which form no part of the claimed design.

1 Claim, 10 Drawing Sheets



(56)

References Cited

U.S. PATENT DOCUMENTS

D895,727 S * 9/2020 Lau D19/170
D901,585 S * 11/2020 Vadenne D19/186

* cited by examiner



FIG. 1



FIG. 2



FIG. 3

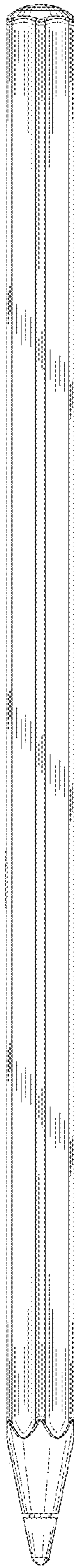


FIG. 4

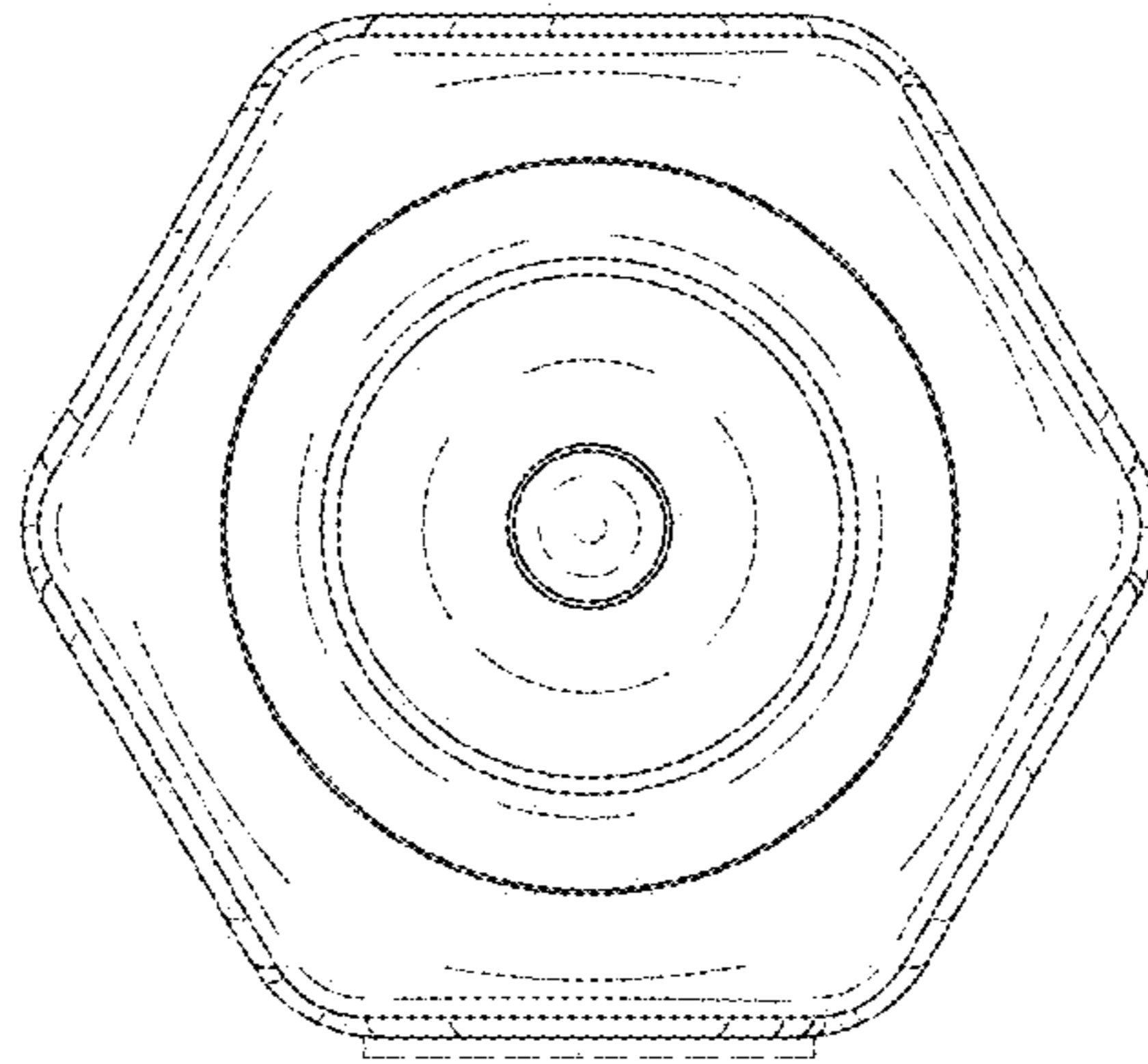


FIG. 5

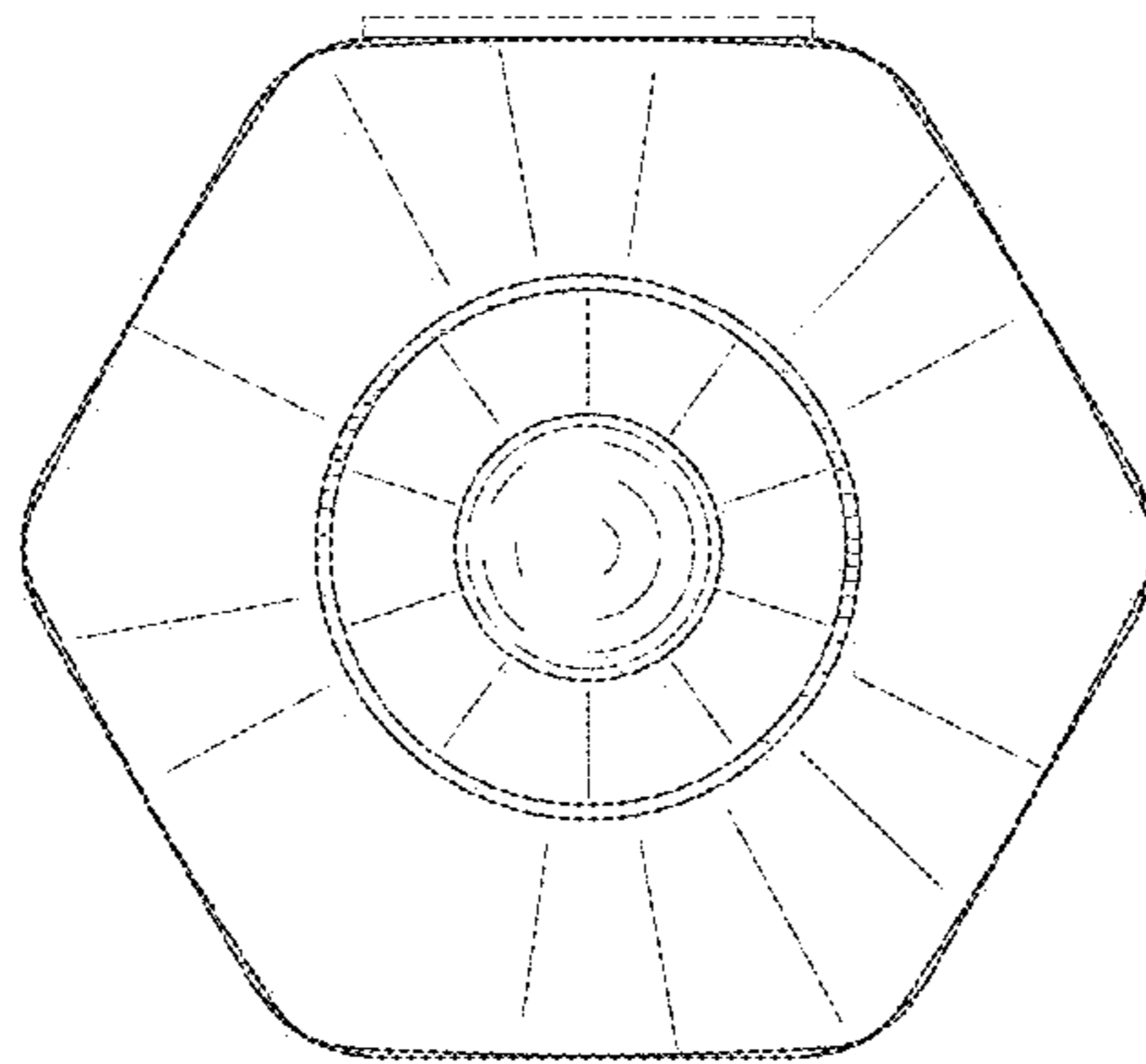


FIG. 6

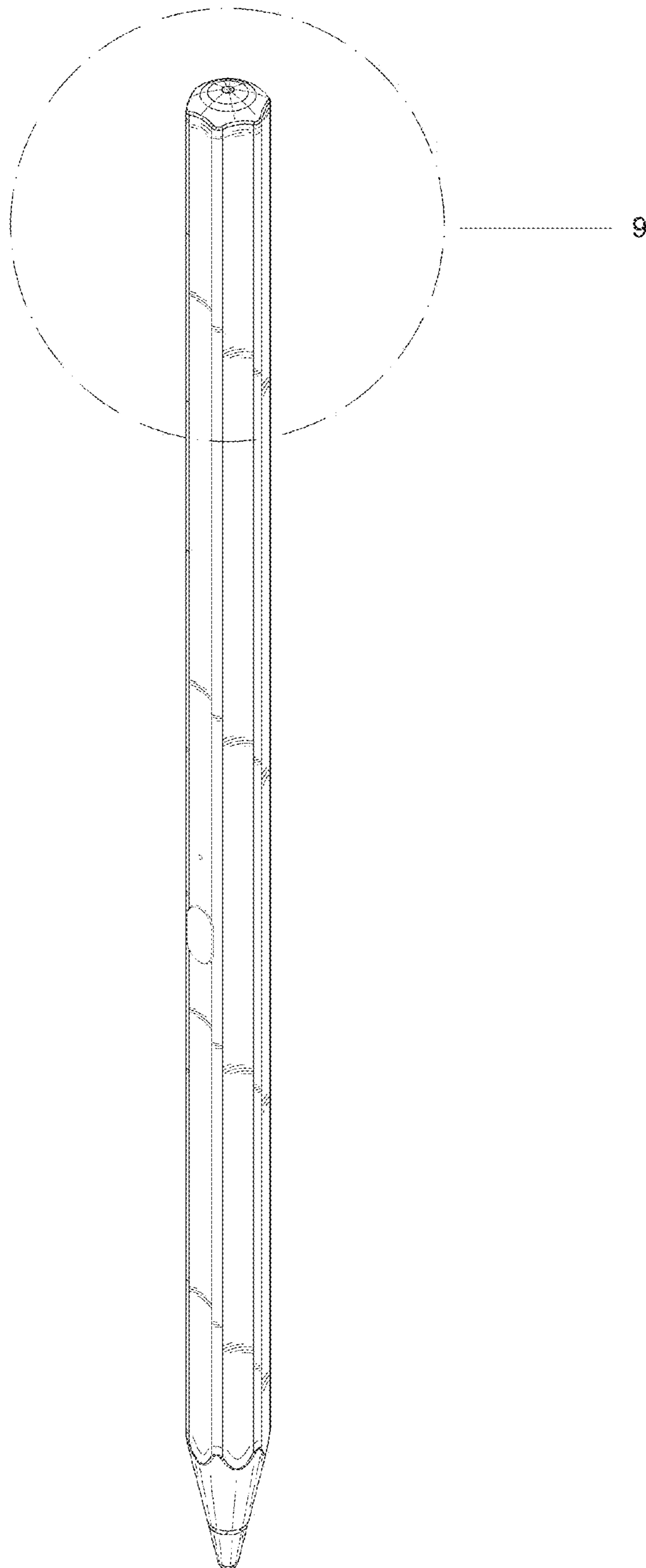


FIG. 7

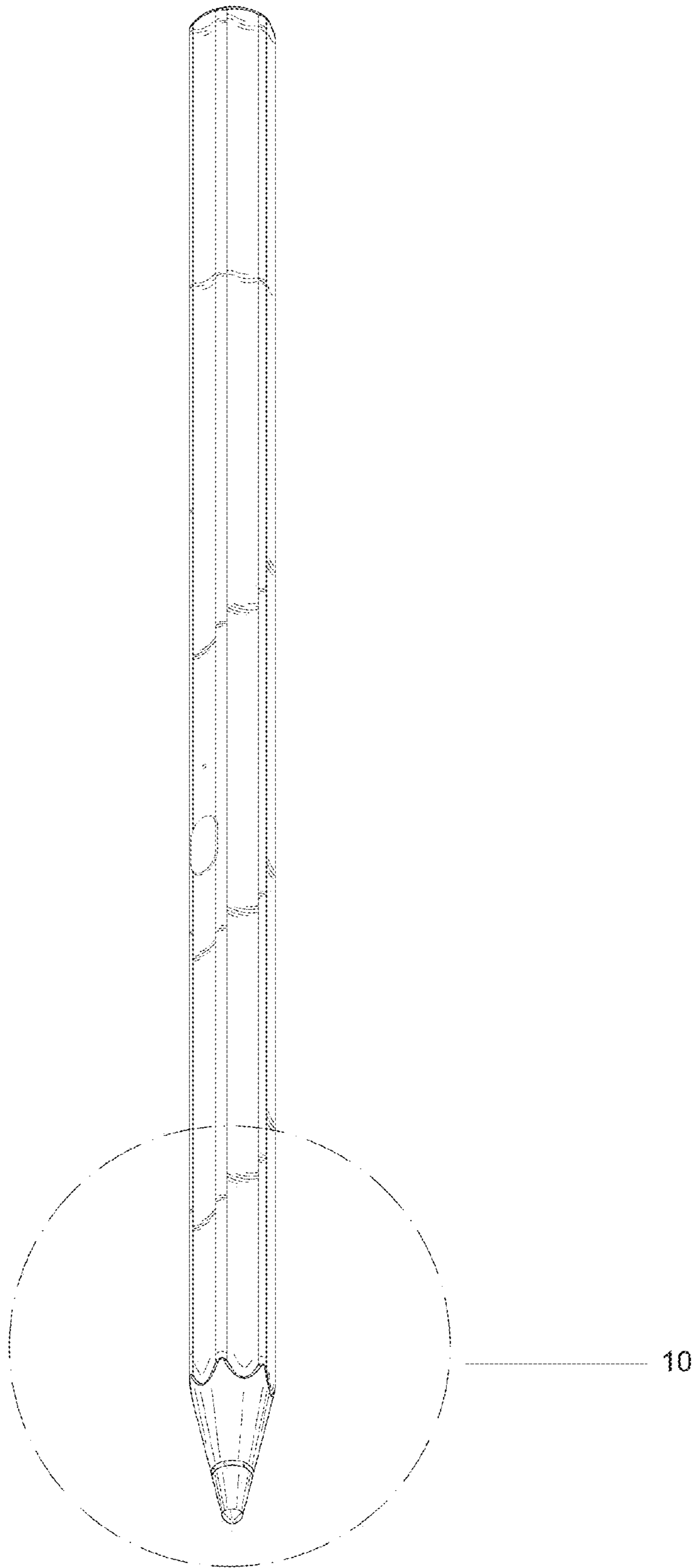


FIG. 8

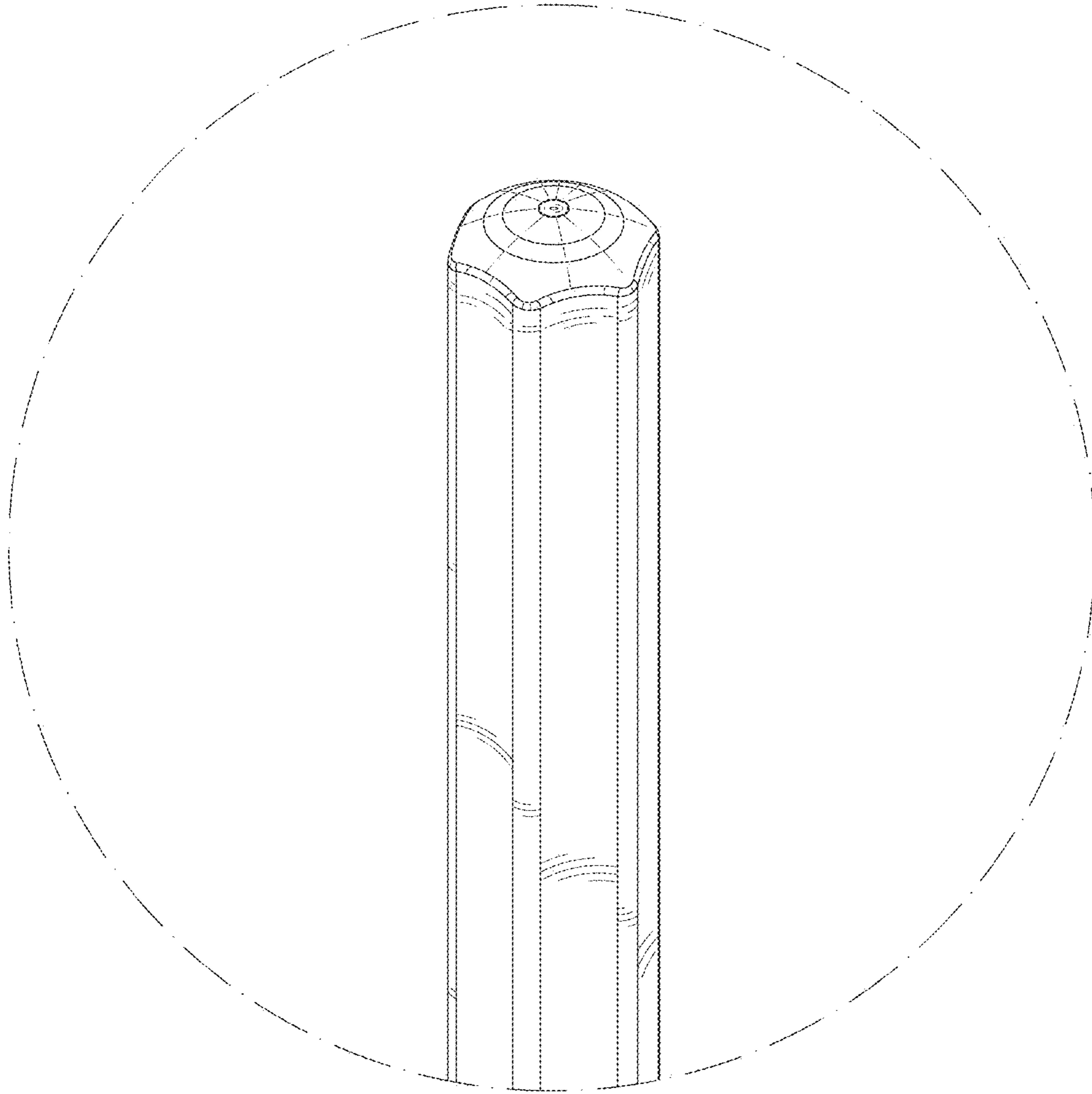


FIG. 9

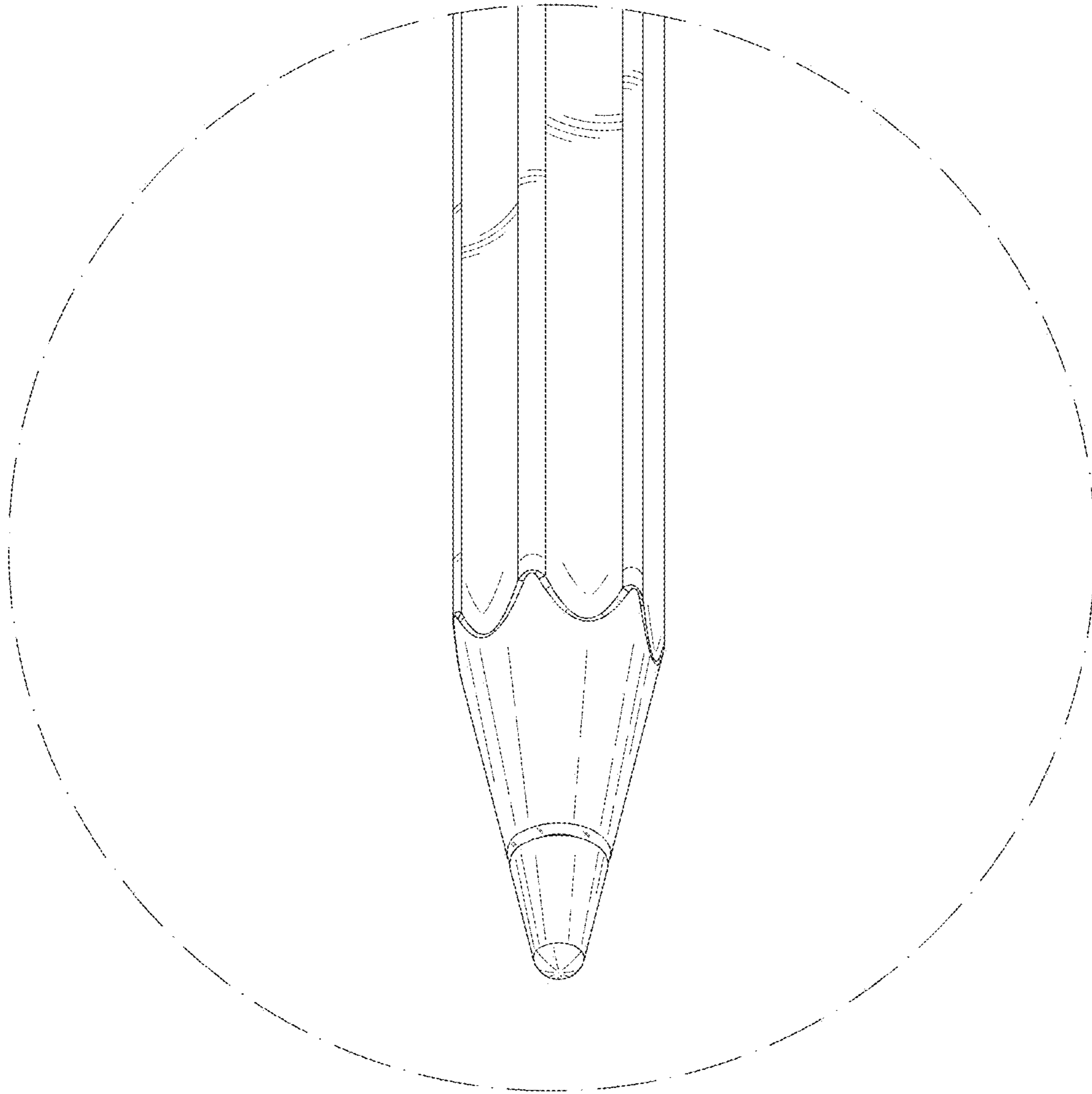


FIG. 10