



US00D916703S

(12) **United States Design Patent**
Green

(10) **Patent No.:** **US D916,703 S**

(45) **Date of Patent:** **** Apr. 20, 2021**

(54) **ADJUSTABLE GROOVE MASONRY CLAMP**

(71) Applicant: **Andy Green**, Ozark, MO (US)

(72) Inventor: **Andy Green**, Ozark, MO (US)

(**) Term: **15 Years**

(21) Appl. No.: **29/715,416**

(22) Filed: **Dec. 2, 2019**

Related U.S. Application Data

(63) Continuation-in-part of application No. 16/579,101, filed on Sep. 23, 2019.

(51) **LOC (13) Cl.** **08-08**

(52) **U.S. Cl.**
USPC **D14/394**

(58) **Field of Classification Search**
USPC D16/242; D8/373, 380, 394–396, 71–74
CPC . D06F 55/00; A41B 3/08; A41F 15/02; F16B
19/1081; G09F 3/14; B42F 1/006; B42F
1/08; B42F 9/001; A47F 7/02
See application file for complete search history.

(56) **References Cited**

U.S. PATENT DOCUMENTS

2,519,652	A	8/1950	Hargrave	24/253
2,667,678	A	2/1954	Hargrave et al.	24/253
3,247,893	A *	4/1966	Ford	A47H 1/022 160/345
D256,661	S *	9/1980	Graham	D8/106
4,363,459	A *	12/1982	Holzer	E06B 9/323 248/257
6,402,111	B1 *	6/2002	Stewart	A47B 21/0314 248/295.11
D484,399	S *	12/2003	Arthur	D8/394
D491,054	S *	6/2004	Caterinacci, Jr.	D8/381
D523,736	S *	6/2006	Lu	D8/373
7,128,354	B2 *	10/2006	Wu	F16M 13/04 294/139

D551,538	S *	9/2007	Pearce	D8/354
D616,729	S *	6/2010	Anderson	D8/355
D657,054	S *	4/2012	Bacon	D24/128
D667,290	S *	9/2012	Chelton	D8/355
D678,043	S *	3/2013	Lu	D8/373
D695,173	S *	12/2013	Sperry	D12/185
D701,260	S *	3/2014	Burton	D16/242
8,672,307	B1	3/2014	Pacheco et al.	269/6
D727,716	S *	4/2015	Langle	D8/355

(Continued)

Primary Examiner — John Windmuller

(74) *Attorney, Agent, or Firm* — Keisling & Pieper PLC;
David B. Pieper; Trent C. Keisling

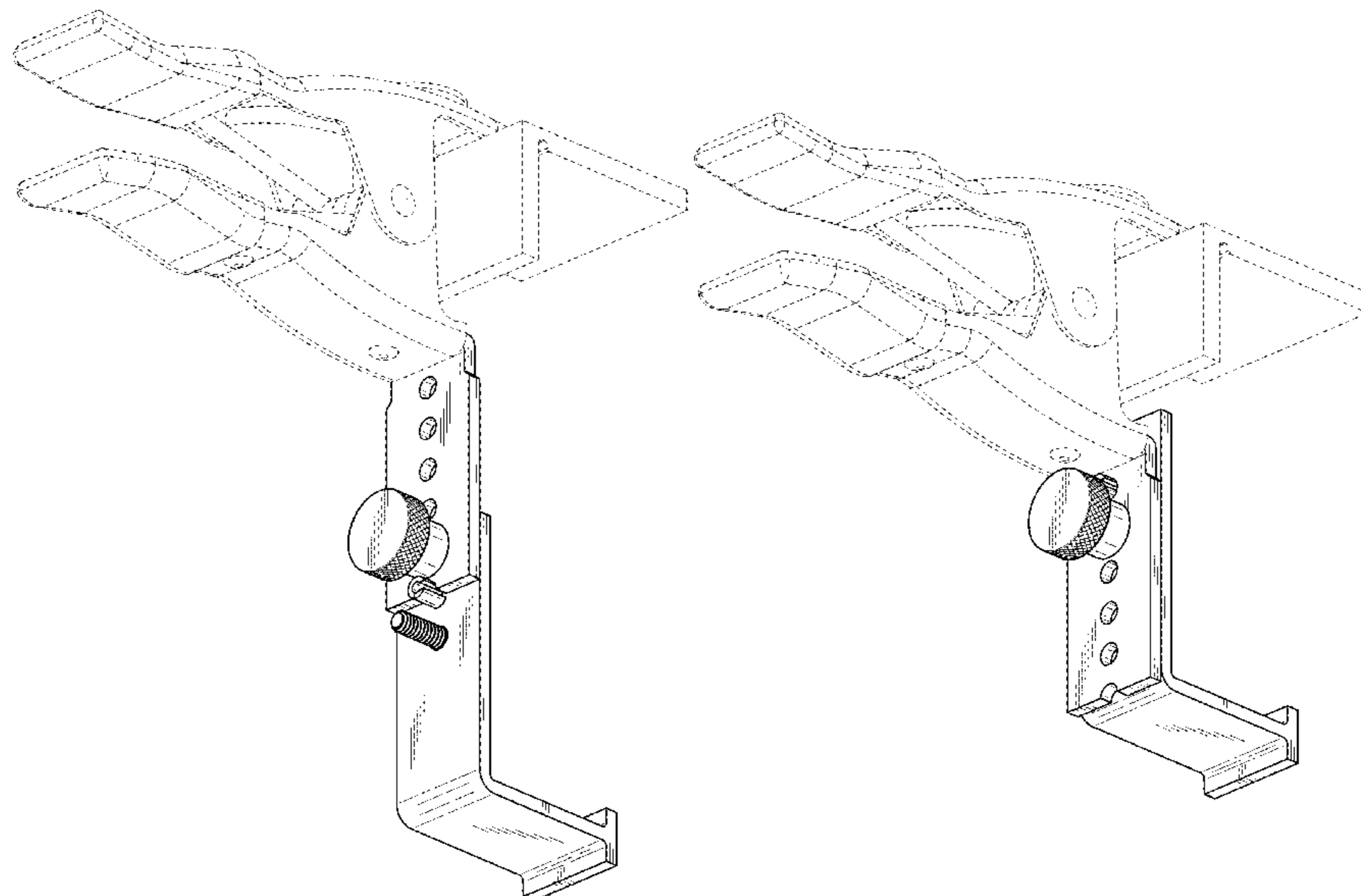
(57) **CLAIM**

The ornamental design for an adjustable groove masonry clamp, as shown and described.

DESCRIPTION

FIG. 1 is a perspective view of an adjustable groove masonry clamp showing my new design in an expanded position;
 FIG. 2 is another perspective view thereof;
 FIG. 3 is a left side view thereof;
 FIG. 4 is a right side view thereof; and,
 FIG. 5 is a front view thereof;
 FIG. 6 is a back view thereof;
 FIG. 7 is a top view thereof; and
 FIG. 8 is a bottom perspective view thereof; and
 FIG. 9 is another perspective view thereof showing a compacted position of the adjustable cleat.
 FIG. 10 is another perspective view thereof;
 FIG. 11 is a left side view thereof;
 FIG. 12 is another perspective view thereof showing a rotated and compacted position of the adjustable cleat.
 FIG. 13 is another perspective view thereof;
 FIG. 14 is a left side view thereof; and,
 FIG. 15 is an exploded view of the assembly visible during position changes.

1 Claim, 13 Drawing Sheets



(56)

References Cited

U.S. PATENT DOCUMENTS

9,307,700	B1 *	4/2016	Schmitt	E04H 13/001
D808,576	S *	1/2018	Clarke	D26/138
D815,184	S *	4/2018	Gu	D16/242
D838,308	S *	1/2019	Swan	D16/242
D876,210	S *	2/2020	Arnall	D8/380
D878,184	S *	3/2020	Holloway	D8/354
2003/0155683	A1 *	8/2003	Pietrobon	E04G 17/14 264/130
2008/0283702	A1 *	11/2008	Ikerd	E04B 1/2604 248/228.1

* cited by examiner

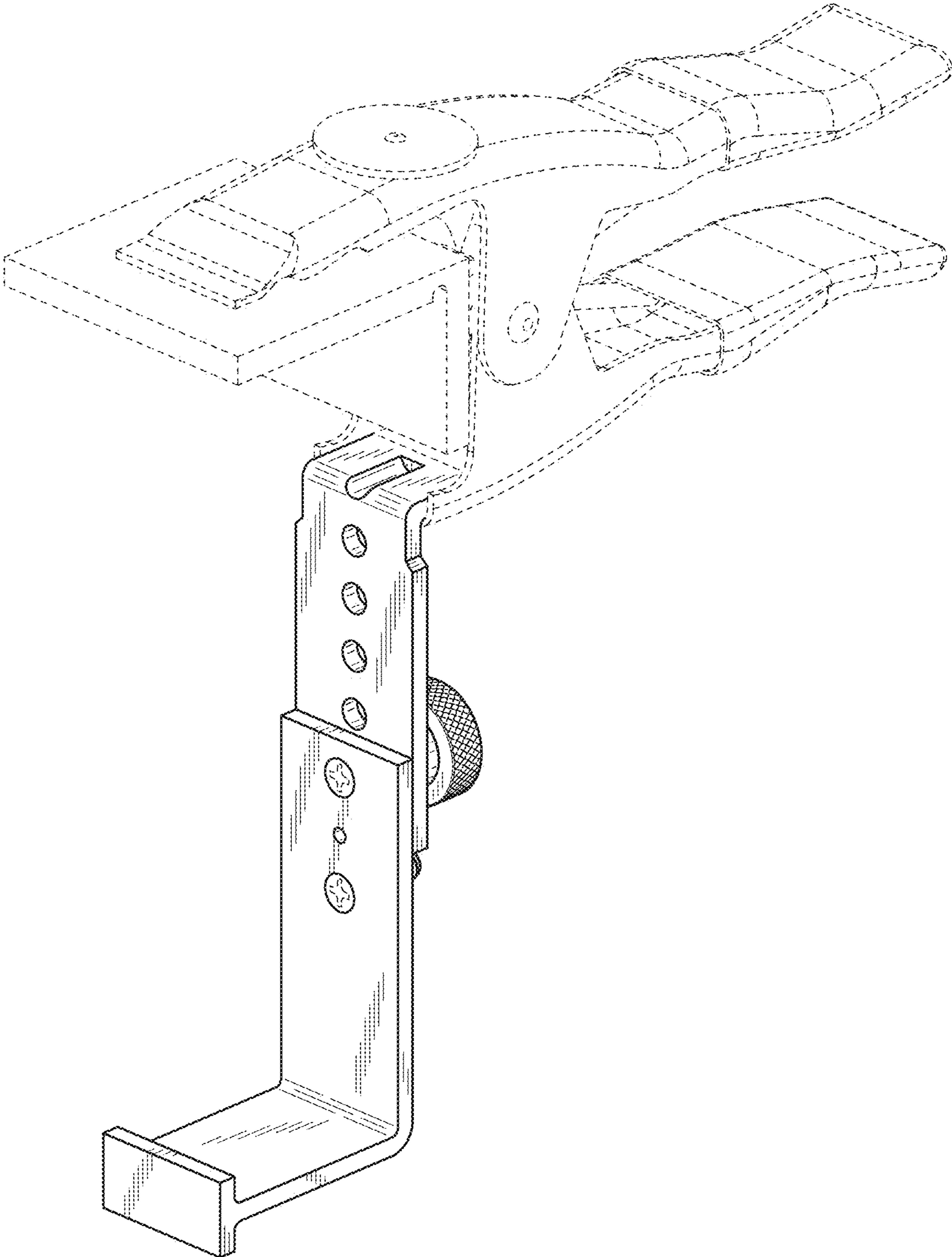


FIG. 1

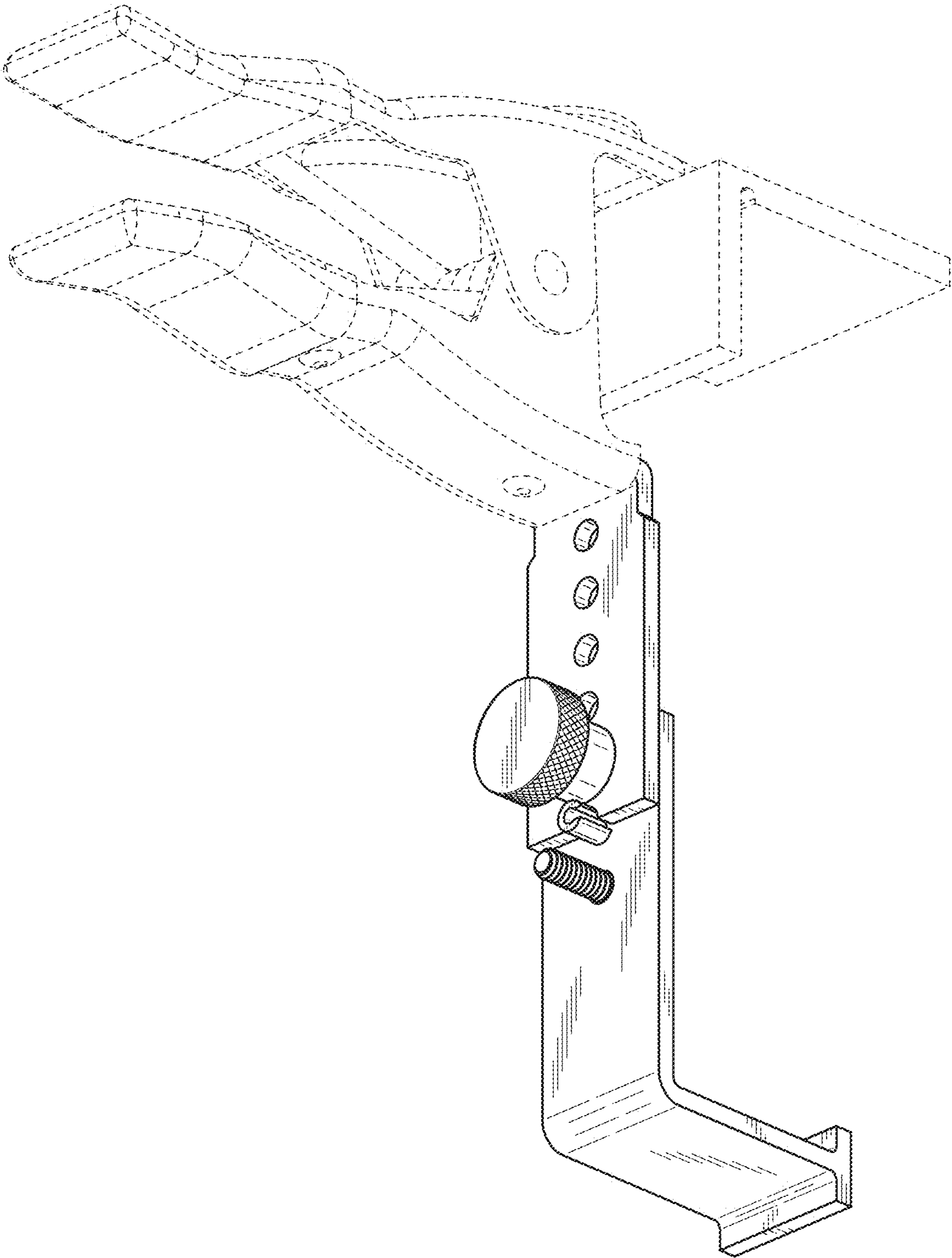


FIG. 2

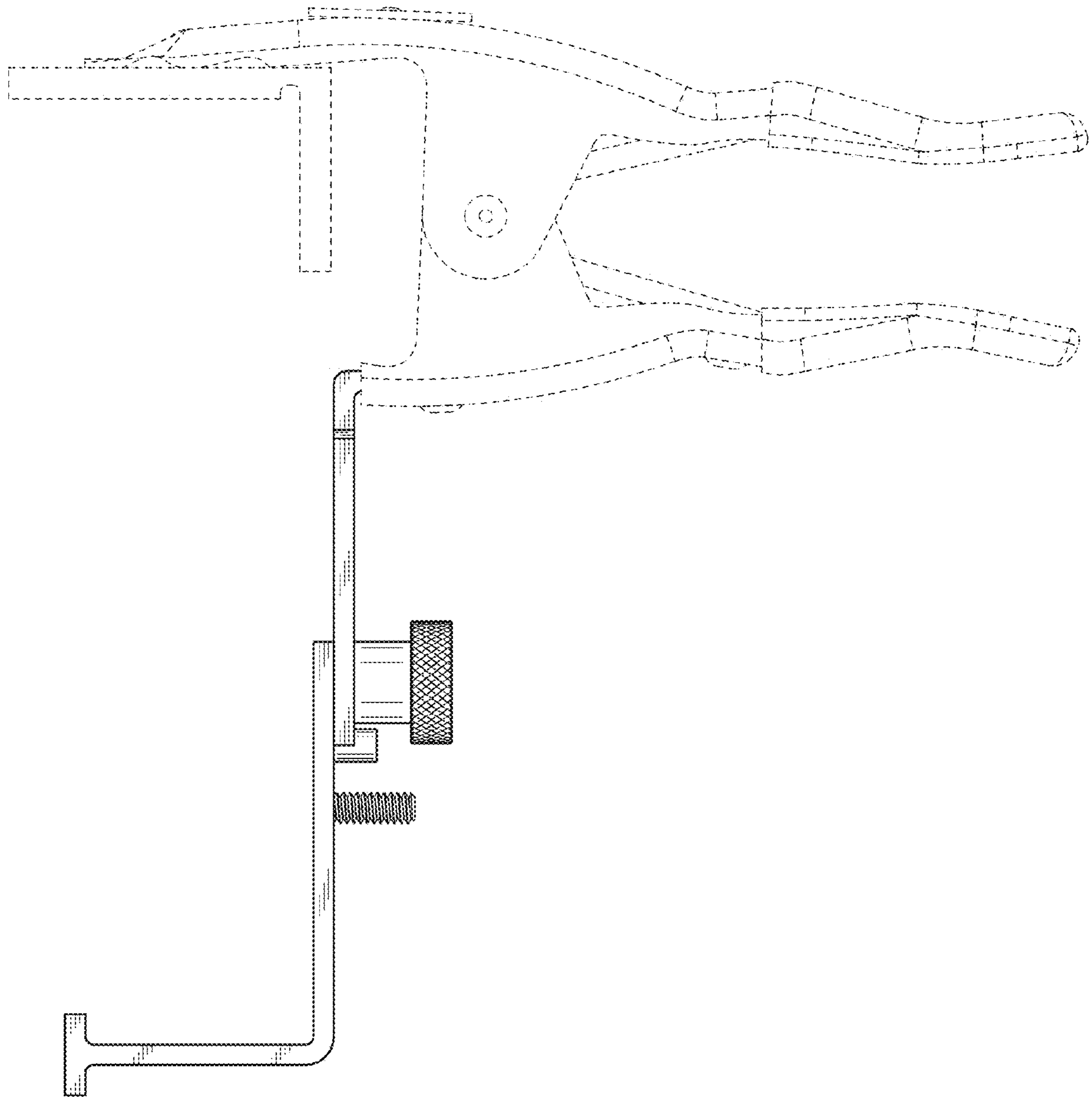


FIG. 3

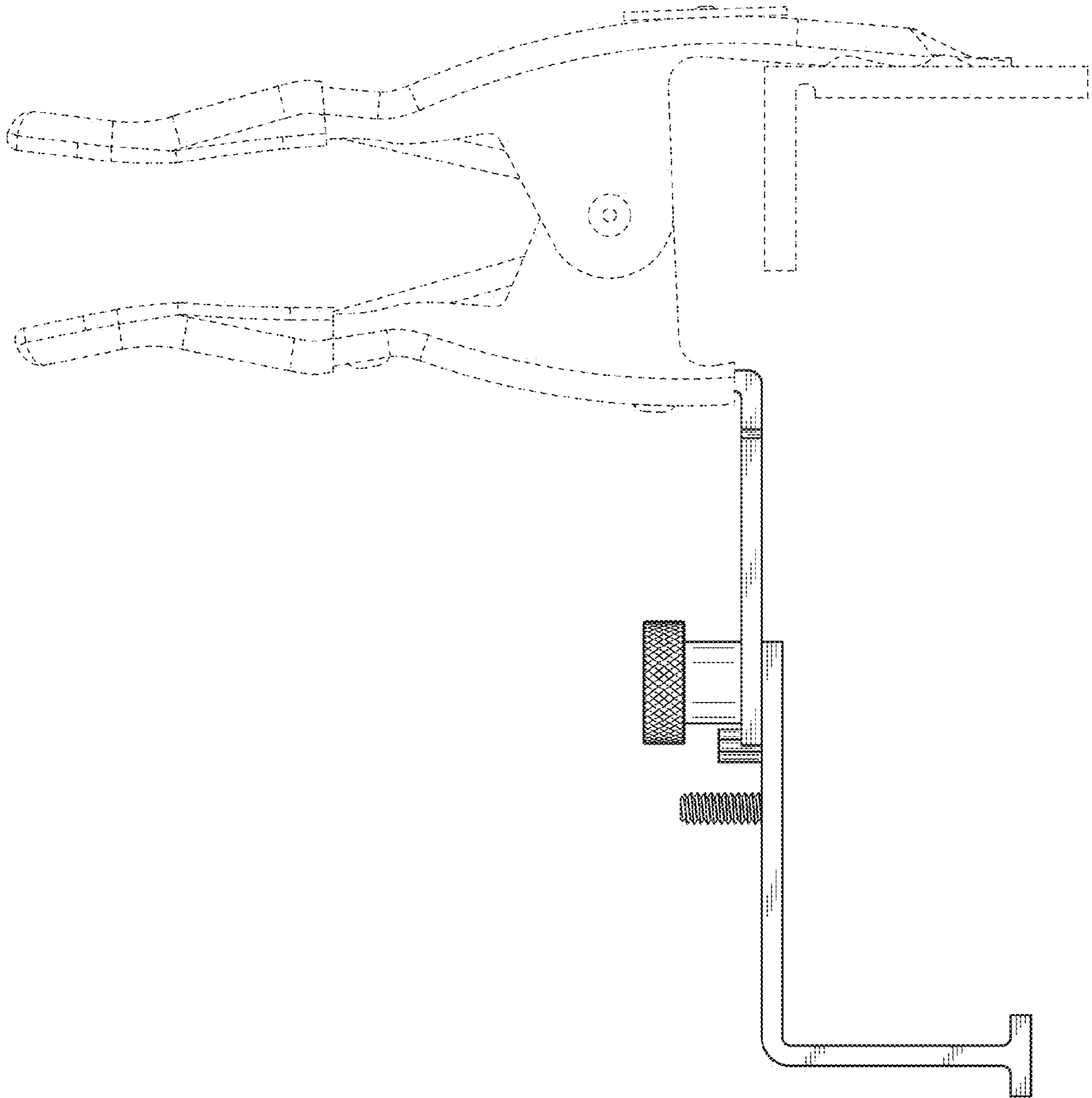


FIG. 4

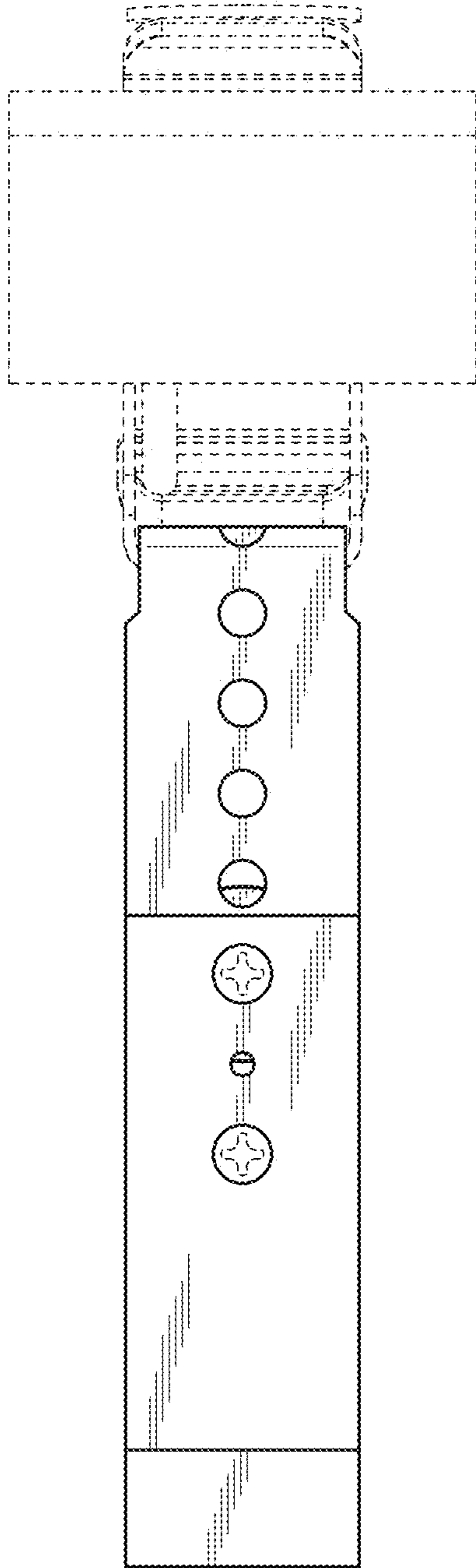


FIG. 5

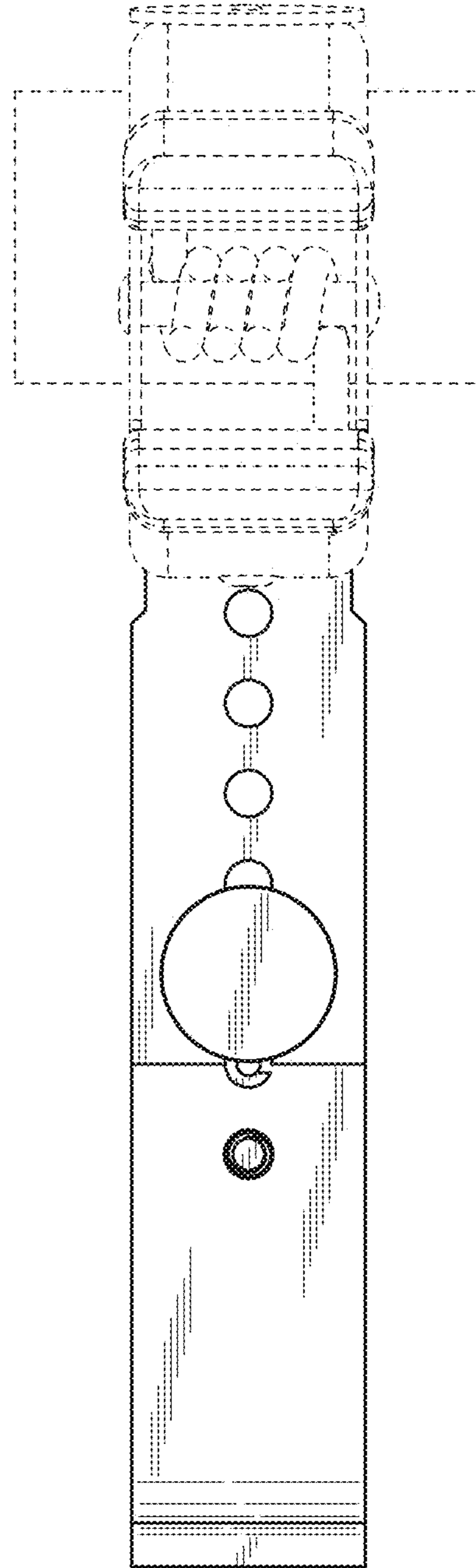


FIG. 6

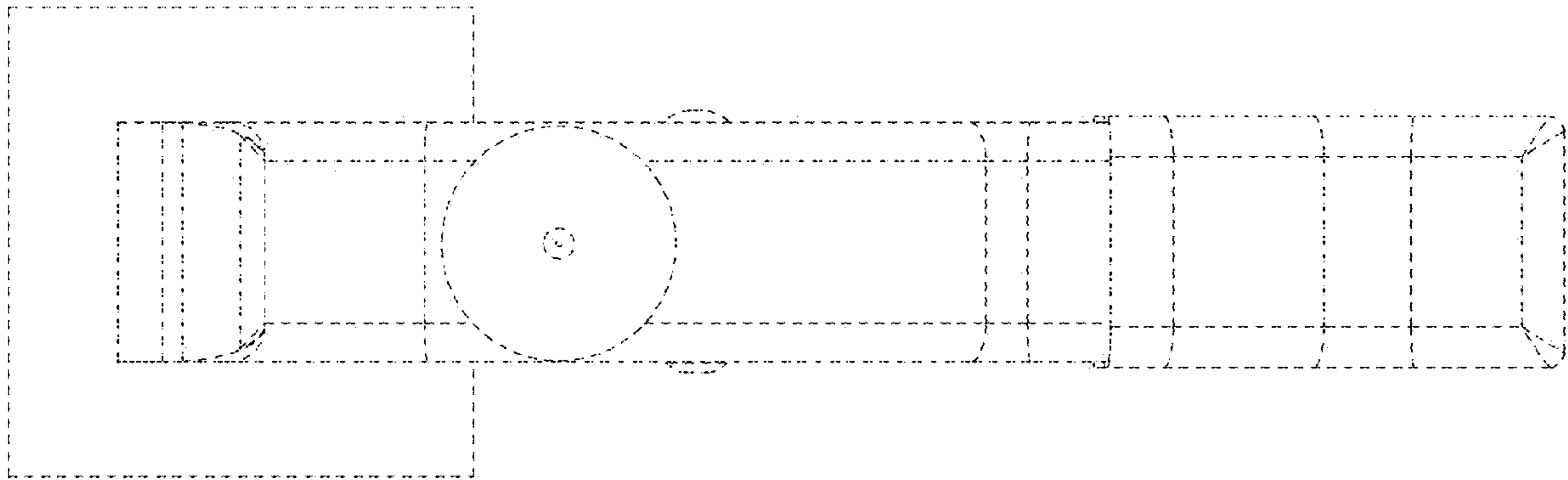


FIG. 7

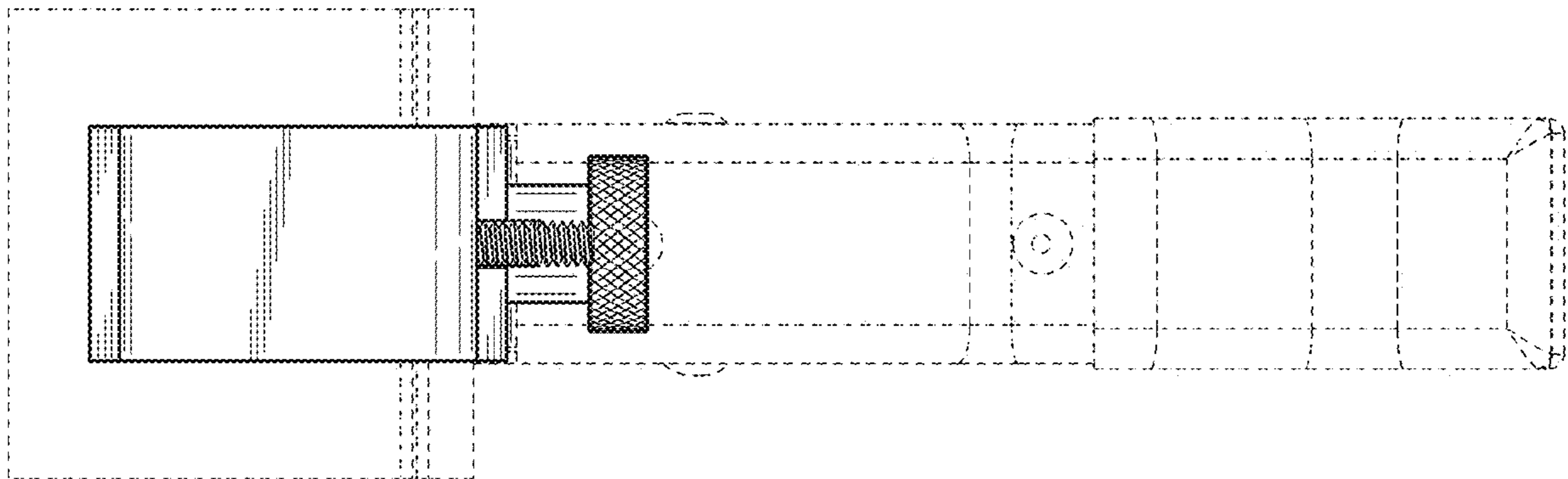


FIG. 8

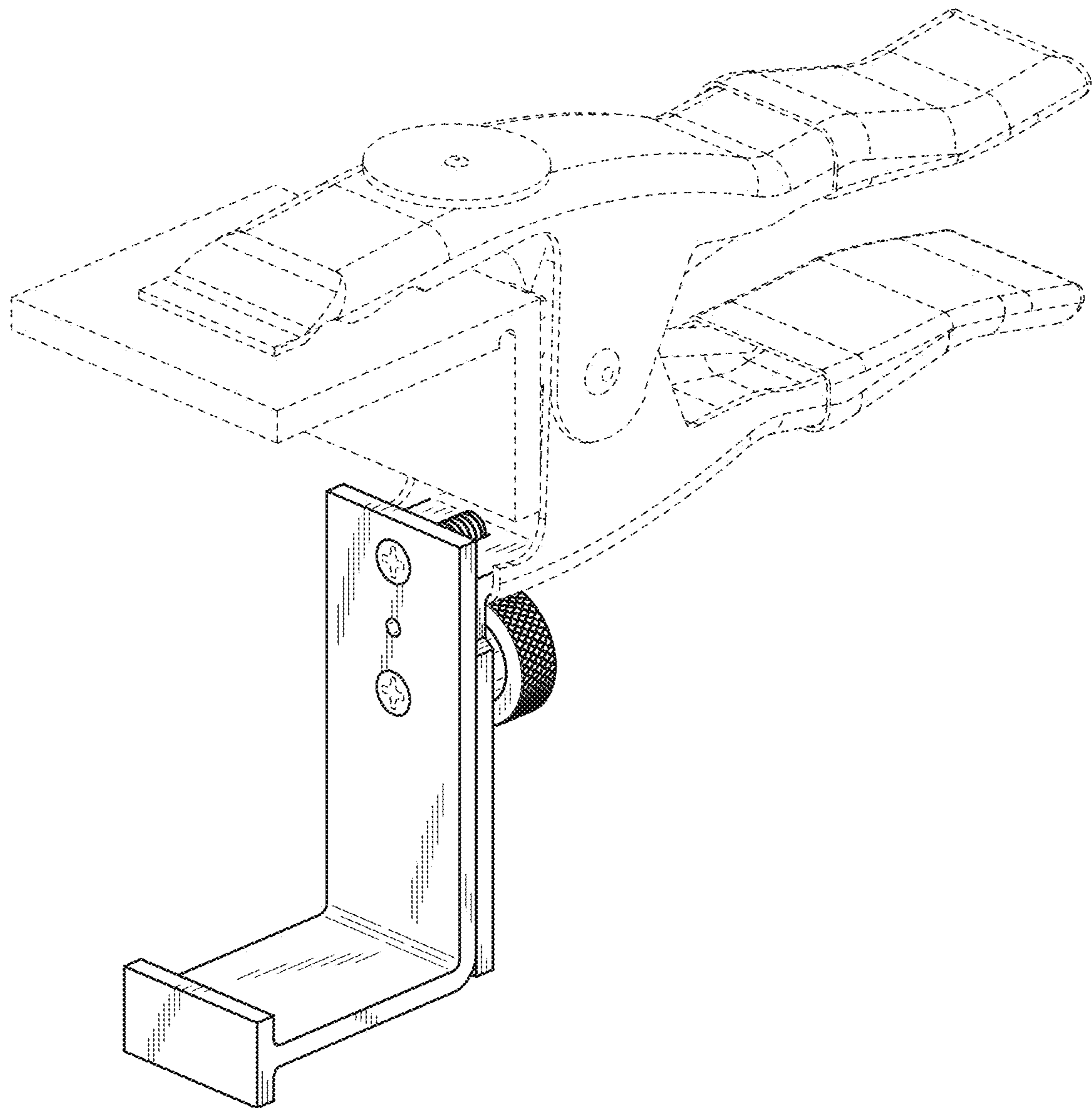


FIG. 9

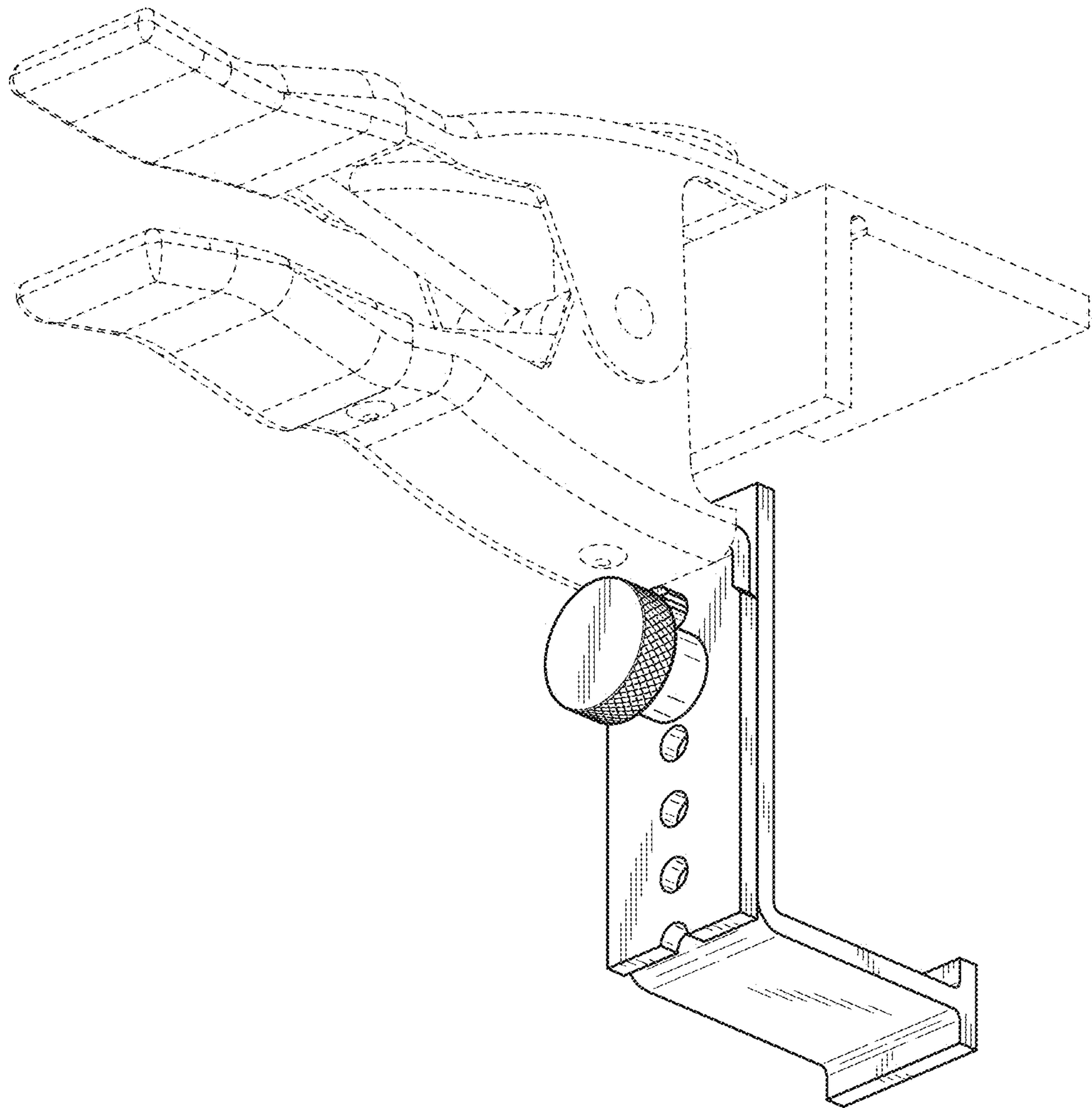


FIG. 10

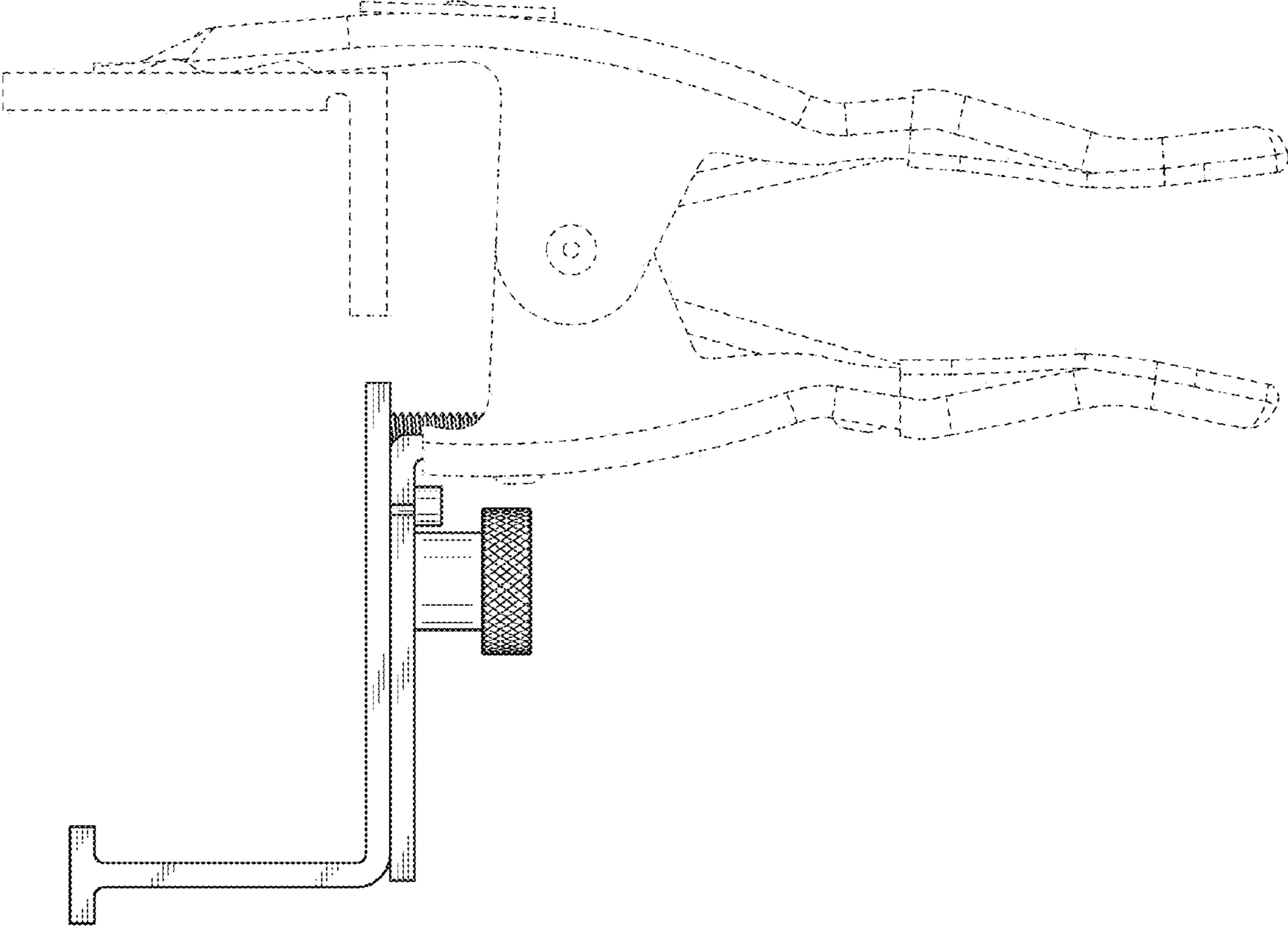


FIG. 11

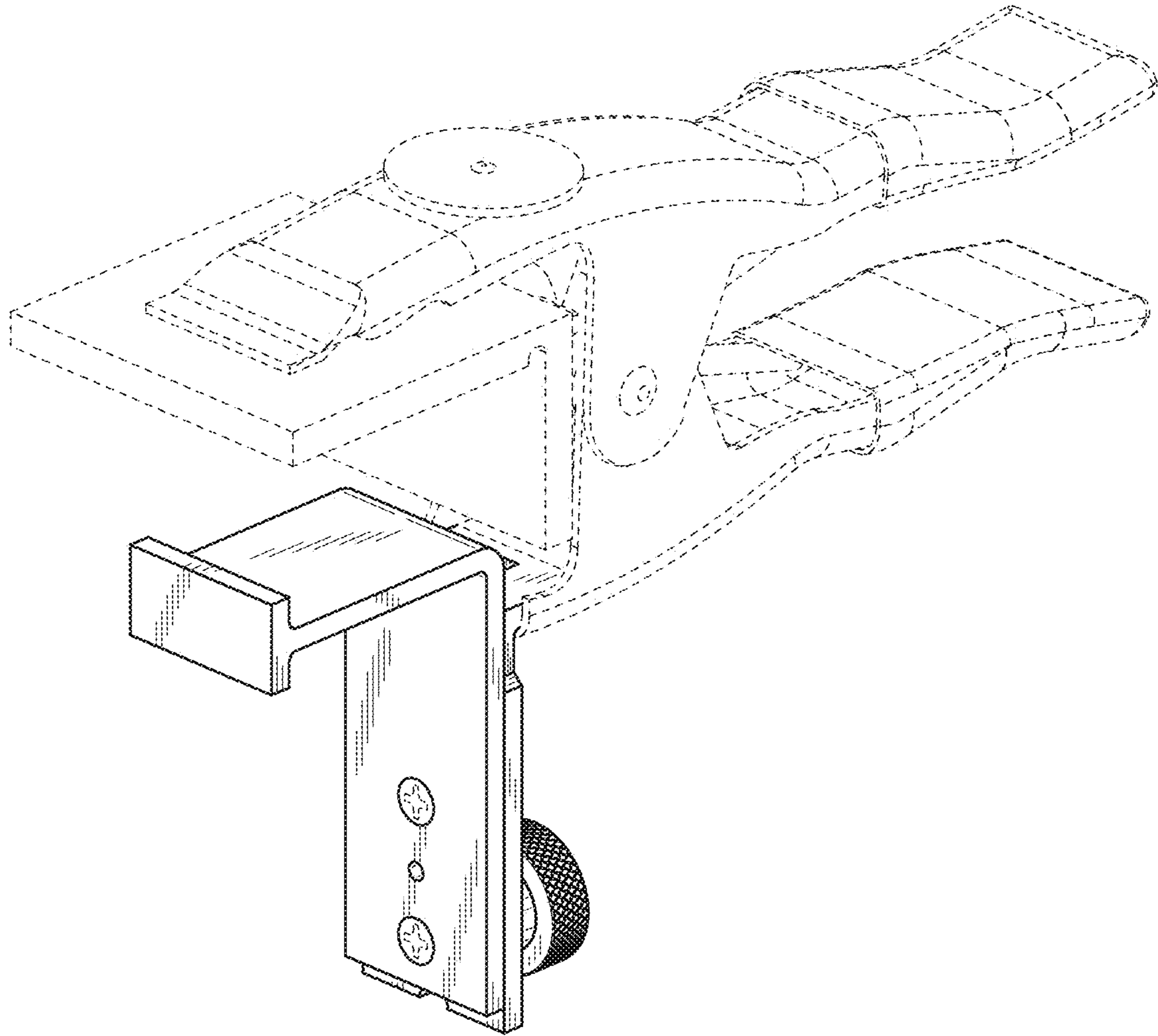


FIG. 12

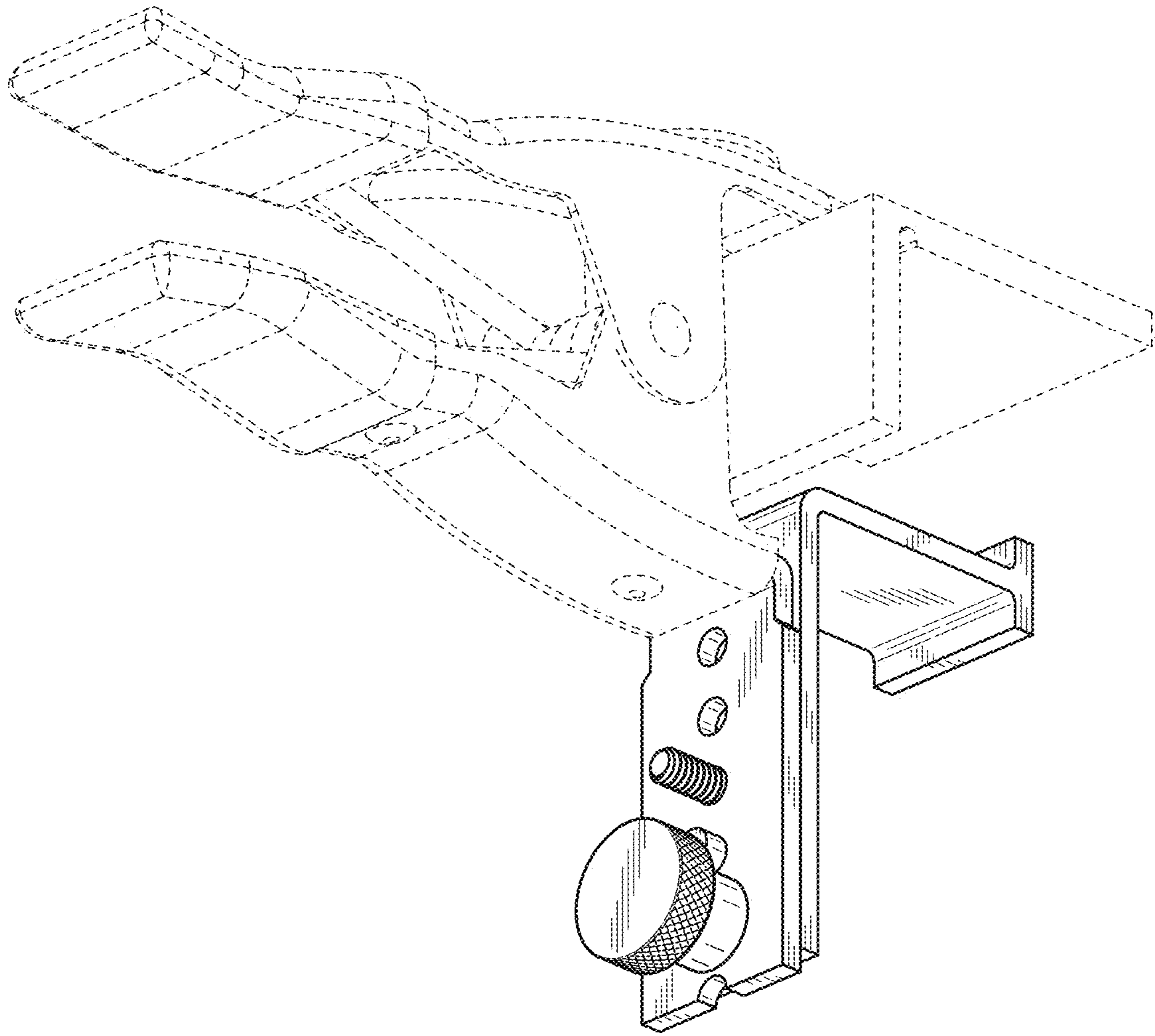


FIG. 13

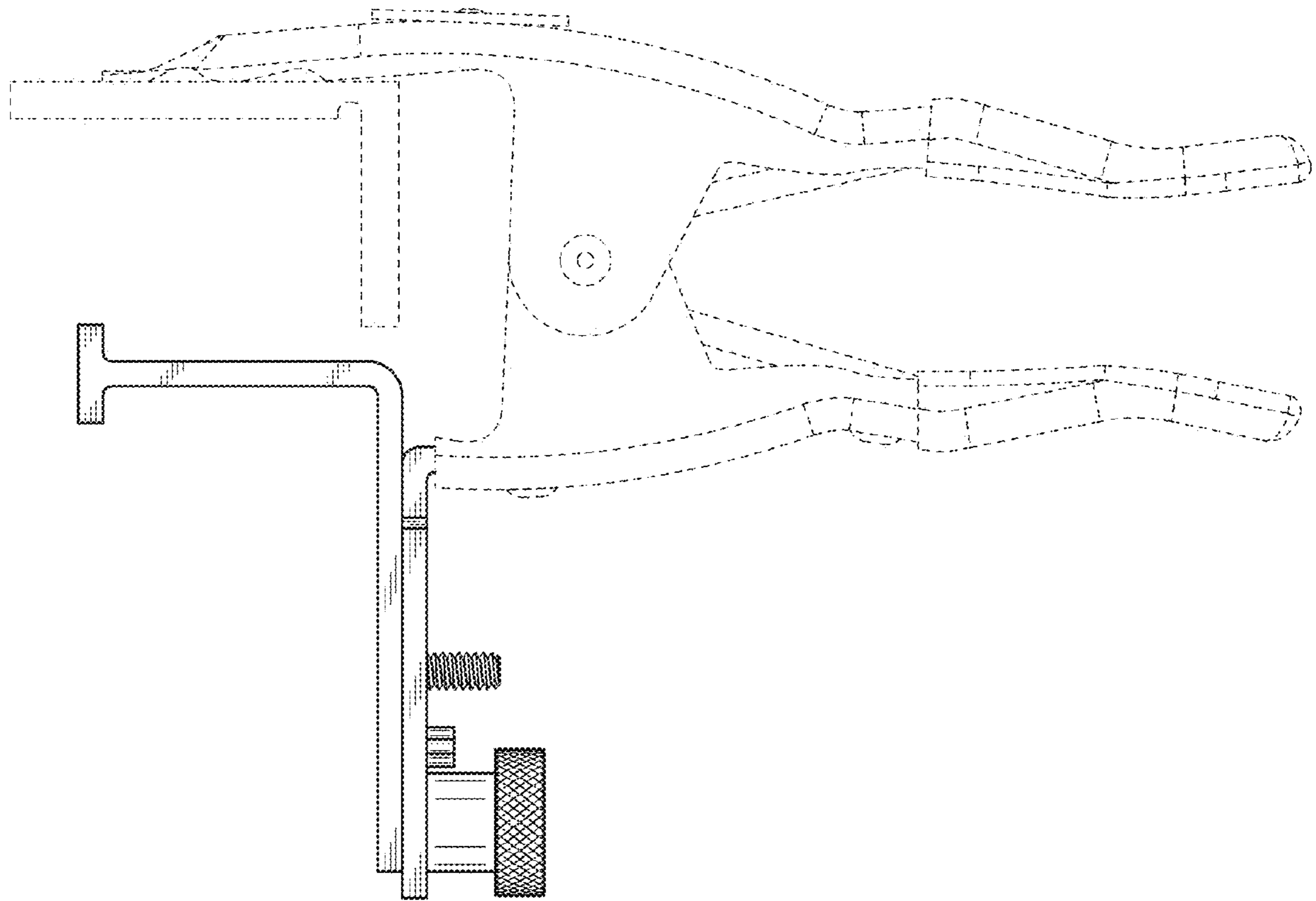


FIG. 14

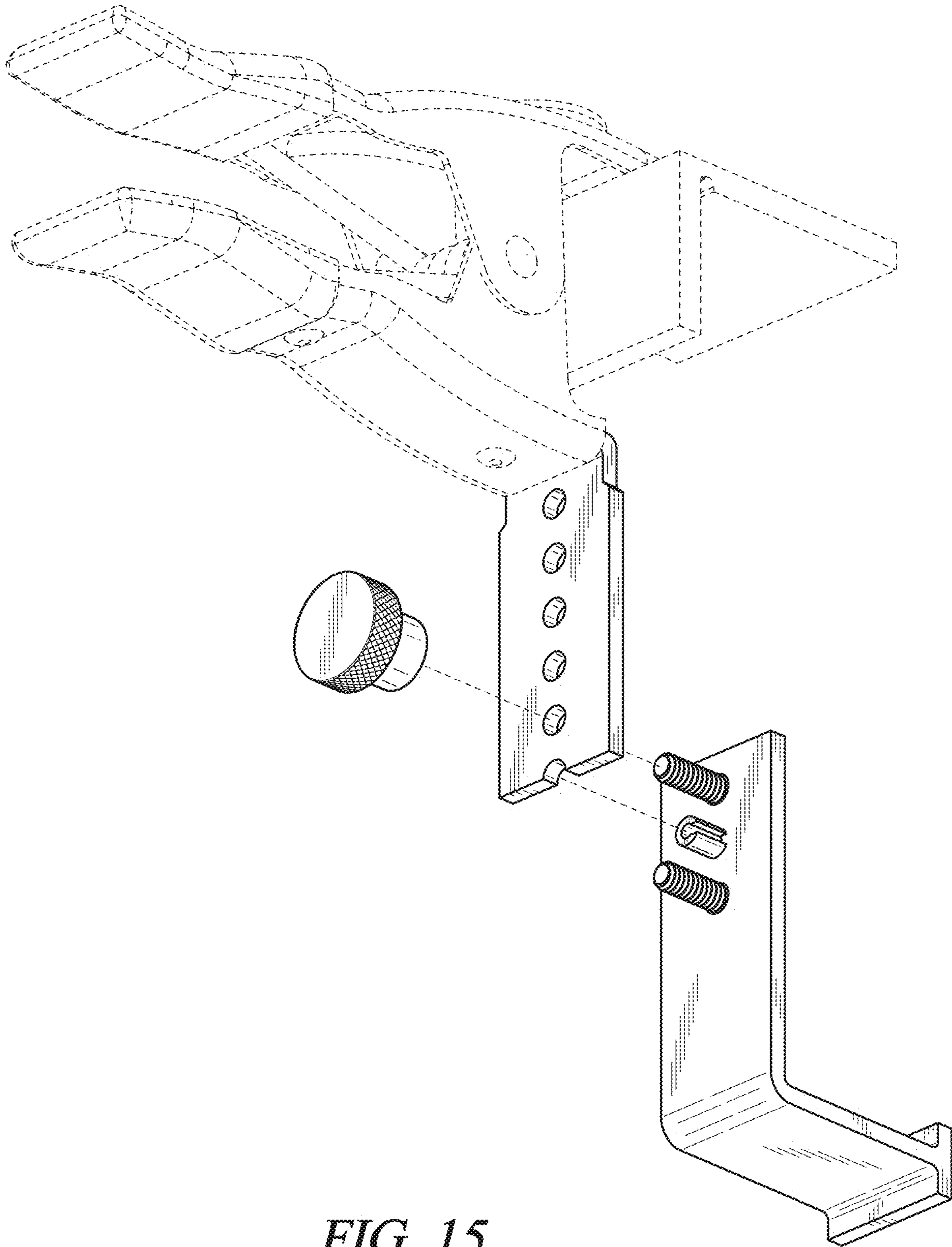


FIG. 15