



US00D916701S

(12) **United States Design Patent**
Shin

(10) **Patent No.:** **US D916,701 S**

(45) **Date of Patent:** **** Apr. 20, 2021**

(54) **GATEWAY DATA LOGGER**

(71) Applicant: **LSIS CO., LTD.**, Anyang-si (KR)

(72) Inventor: **Youngsung Shin**, Anyang-si (KR)

(73) Assignee: **LSIS CO., LTD.**, Anyang-si (KR)

(**) Term: **15 Years**

(21) Appl. No.: **29/689,892**

(22) Filed: **May 2, 2019**

D300,624	S	*	4/1989	Seymour	D13/123
D304,170	S	*	10/1989	Kondo	D13/110
D330,012	S	*	10/1992	Takahashi	D13/162
D351,138	S	*	10/1994	Shimizu	D13/152
D357,285	S	*	4/1995	Feng	D21/324
D358,753	S	*	5/1995	Yoshida	D13/123
D368,252	S	*	3/1996	Nakai	D13/162.1
D400,180	S	*	10/1998	Shimizu	D13/162.1
D414,774	S	*	10/1999	Gauffin	D13/184
D428,600	S	*	7/2000	Futami	D13/123

(Continued)

(30) **Foreign Application Priority Data**

Mar. 25, 2019 (KR) 30-2019-0013412

(51) **LOC (13) Cl.** **14-02**

(52) **U.S. Cl.**
USPC **D14/358**; D13/162.1

(58) **Field of Classification Search**

USPC ... D14/140.1, 240, 242, 358, 125, 129, 130,
D14/140, 142, 155, 167, 168, 172, 188,
D14/195, 299, 496, 348, 351, 356, 357,
D14/197, 198, 230, 104.6, 300, 301, 312,
D14/313, 388, 256; D13/110, 123, 152,
D13/158, 162, 162.1, 163, 168, 184, 199,
D13/108, 179, 133, 146; D10/104.1,
D10/106.1, 106.6, 116.1, 61, 64, 75,
D10/106.9

CPC . G06F 1/16; G06F 1/1683; G06F 1/20; G06F
1/181; G06F 1/82; G06F 1/183; G06F
1/187; G06F 15/163; G05B 9/02; G05B
19/042; G05B 19/05; G05B 19/054;
G05B 19/056; H02G 3/08; H02G 3/083;
H05K 7/1432; H05K 7/1465; H04L
12/00; H04L 12/2834; H04L 43/02; H04L
2012/5618; H04L 12/66; H04L 65/102;
H04M 1/00; H04W 88/16

See application file for complete search history.

(56) **References Cited**

U.S. PATENT DOCUMENTS

D269,345	S	*	6/1983	Payne, Jr.	D14/242
D298,747	S	*	11/1988	Shibayama	D13/162.1

OTHER PUBLICATIONS

Gateway Modules. (Design—© Questel) orbit.com. [online PDF]
75 pgs. Print Dates Range Aug. 9, 2017 through Aug. 21, 2020.
[retrieved Sep. 21, 2020] <https://www.orbit.com/export/QPTUJ214/pdf2/8d7311ac-d9f6-47d2-a7d4-a3ff1f3f0c98-003620.pdf>.*

Primary Examiner — Marie D. Fast Horse

(74) *Attorney, Agent, or Firm* — K&L Gates LLP

(57) **CLAIM**

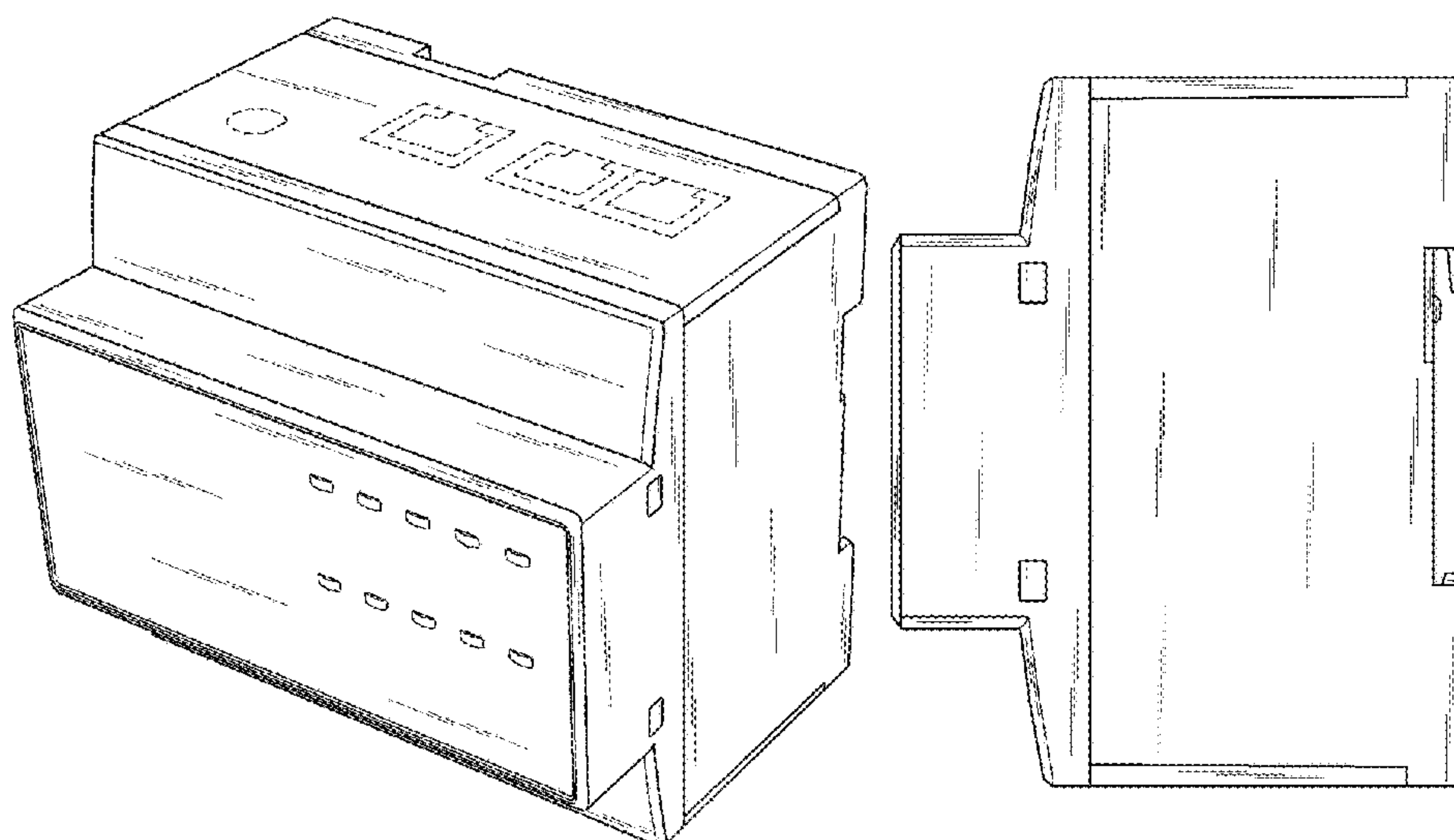
The ornamental design for a gateway data logger, as shown and described herein.

DESCRIPTION

FIG. 1 is a perspective view of a gateway data logger showing the new design;
FIG. 2 is a front elevation view thereof;
FIG. 3 is a rear elevation view thereof;
FIG. 4 is a left -side elevation view thereof;
FIG. 5 is a right -side elevation view thereof;
FIG. 6 is a top plan view thereof; and,
FIG. 7 is a bottom plan view thereof.

Any broken lines in the drawings depict portions of the gateway data logger that form no part of the claimed design.

1 Claim, 7 Drawing Sheets



(56)

References Cited

U.S. PATENT DOCUMENTS

D454,873 S * 3/2002 Clark D14/358
 D455,714 S * 4/2002 Kim D13/110
 D485,829 S * 1/2004 Lee D14/240
 D489,337 S * 5/2004 Murray D13/162
 D494,142 S * 8/2004 Schon D13/162
 D521,504 S * 5/2006 Nagel D14/240
 D526,615 S * 8/2006 Nakashima D13/133
 D544,441 S * 6/2007 Sichner D13/123
 D573,945 S * 7/2008 Park D13/110
 D573,985 S * 7/2008 Jeong D14/240
 D574,823 S * 8/2008 Wung D14/240
 D583,380 S * 12/2008 Lindner D14/439
 D583,382 S * 12/2008 Lindner D14/439
 D585,838 S * 2/2009 Tiedemann D13/147
 D586,744 S * 2/2009 Jaskari D13/110
 D588,600 S * 3/2009 Lindner D14/439
 D590,402 S * 4/2009 Lindner D14/349
 D594,456 S * 6/2009 Huang D14/358
 D602,445 S * 10/2009 Liu D13/162.1
 D603,349 S * 11/2009 Liu D13/162.1
 D608,735 S * 1/2010 Kashimoto D13/110
 D616,876 S * 6/2010 MacCormac D14/240
 D620,454 S * 7/2010 Lissola D13/164
 D652,036 S * 1/2012 Huang D14/358
 D659,652 S * 5/2012 Wong D13/162.1
 D665,685 S * 8/2012 Okuda D10/98
 D692,397 S * 10/2013 Liu D13/162.1
 D692,840 S * 11/2013 Liu D13/162.1
 D695,235 S * 12/2013 Liu D13/162.1
 D695,686 S * 12/2013 Fukano D13/146
 D695,687 S * 12/2013 Fukano D13/146
 D696,634 S * 12/2013 Liu D13/162.1

D702,647 S * 4/2014 Liu D13/162.1
 D705,171 S * 5/2014 Fukano D13/146
 D714,213 S * 9/2014 Rooyakkers D13/103
 D735,145 S * 7/2015 Liu D13/162.1
 D738,829 S * 9/2015 Cech D13/162
 D740,235 S * 10/2015 Andersson D13/158
 D753,608 S * 4/2016 Chen D13/162.1
 D754,614 S * 4/2016 Chen D13/162.1
 D768,585 S * 10/2016 Moore D13/184
 D772,088 S * 11/2016 Kono D10/100
 D773,427 S * 12/2016 Kondo D14/155
 D774,016 S * 12/2016 Kondo D14/155
 D774,931 S * 12/2016 Kono D10/100
 D775,102 S * 12/2016 Kondo D14/155
 D776,077 S * 1/2017 Kondo D14/155
 D780,698 S * 3/2017 Karlen D13/158
 D793,260 S * 8/2017 Kakeya D10/99
 D794,484 S * 8/2017 Kakeya D10/103
 D795,201 S * 8/2017 Hagimoto D13/162
 9,791,653 B2 * 10/2017 Aznag G02B 6/4452
 D819,033 S * 5/2018 Duran D14/385
 D823,248 S * 7/2018 Aiba D13/110
 D823,249 S * 7/2018 Aiba D13/110
 D823,250 S * 7/2018 Aiba D13/110
 D836,092 S * 12/2018 Erbacher D14/242
 D846,538 S * 4/2019 Wild D14/240
 D853,996 S * 7/2019 Wild D14/240
 D854,522 S * 7/2019 Wild D14/240
 D855,025 S * 7/2019 Jurgens D13/158
 D858,495 S * 9/2019 Wild D14/240
 D858,496 S * 9/2019 Wild D14/240
 D865,731 S * 11/2019 Sun D14/240
 2016/0081215 A1 * 3/2016 Boretti H05K 7/1474
 248/221.11
 2016/0330869 A1 * 11/2016 Williams H05K 7/1474

* cited by examiner

FIG. 1

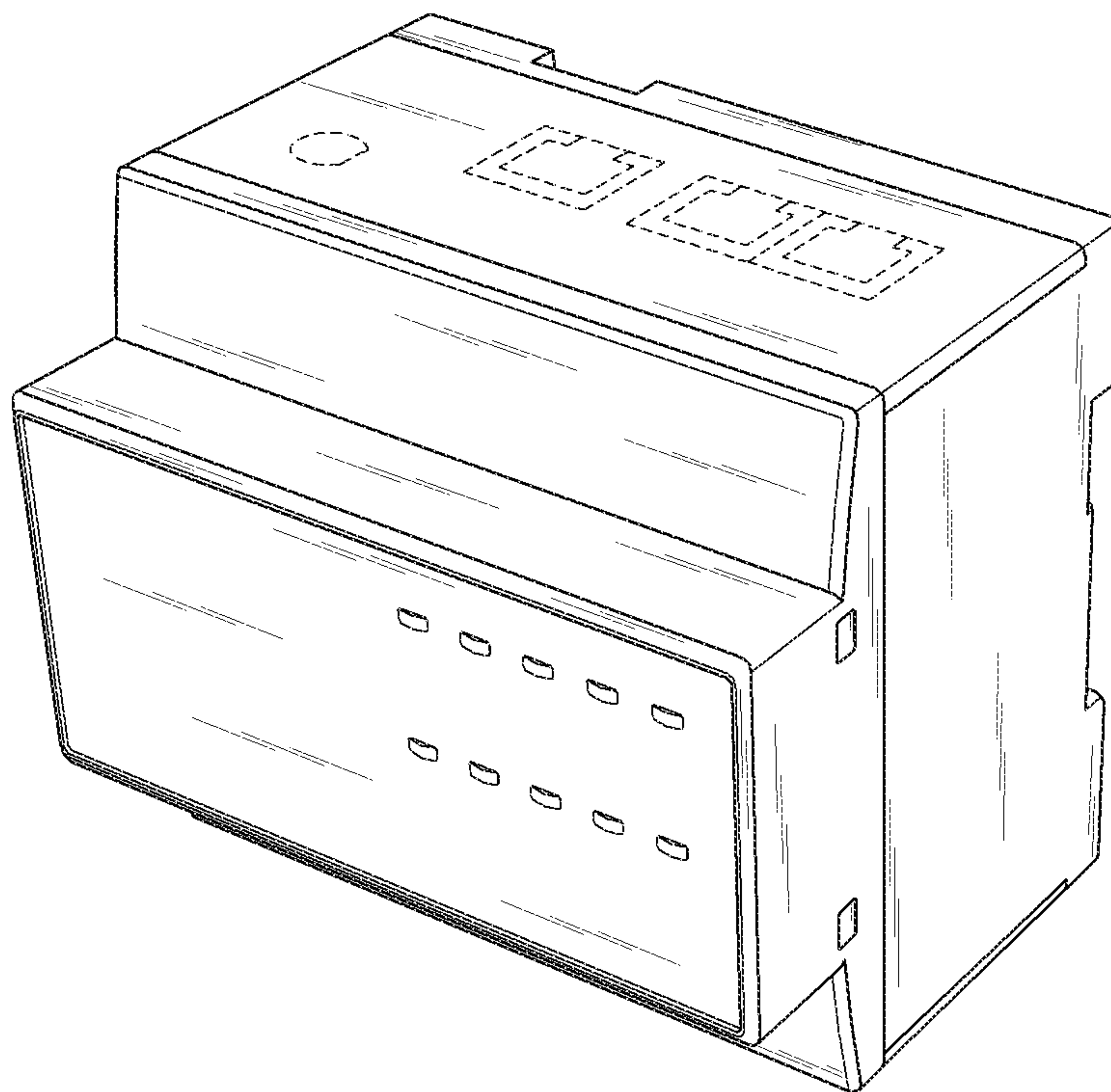


FIG. 2

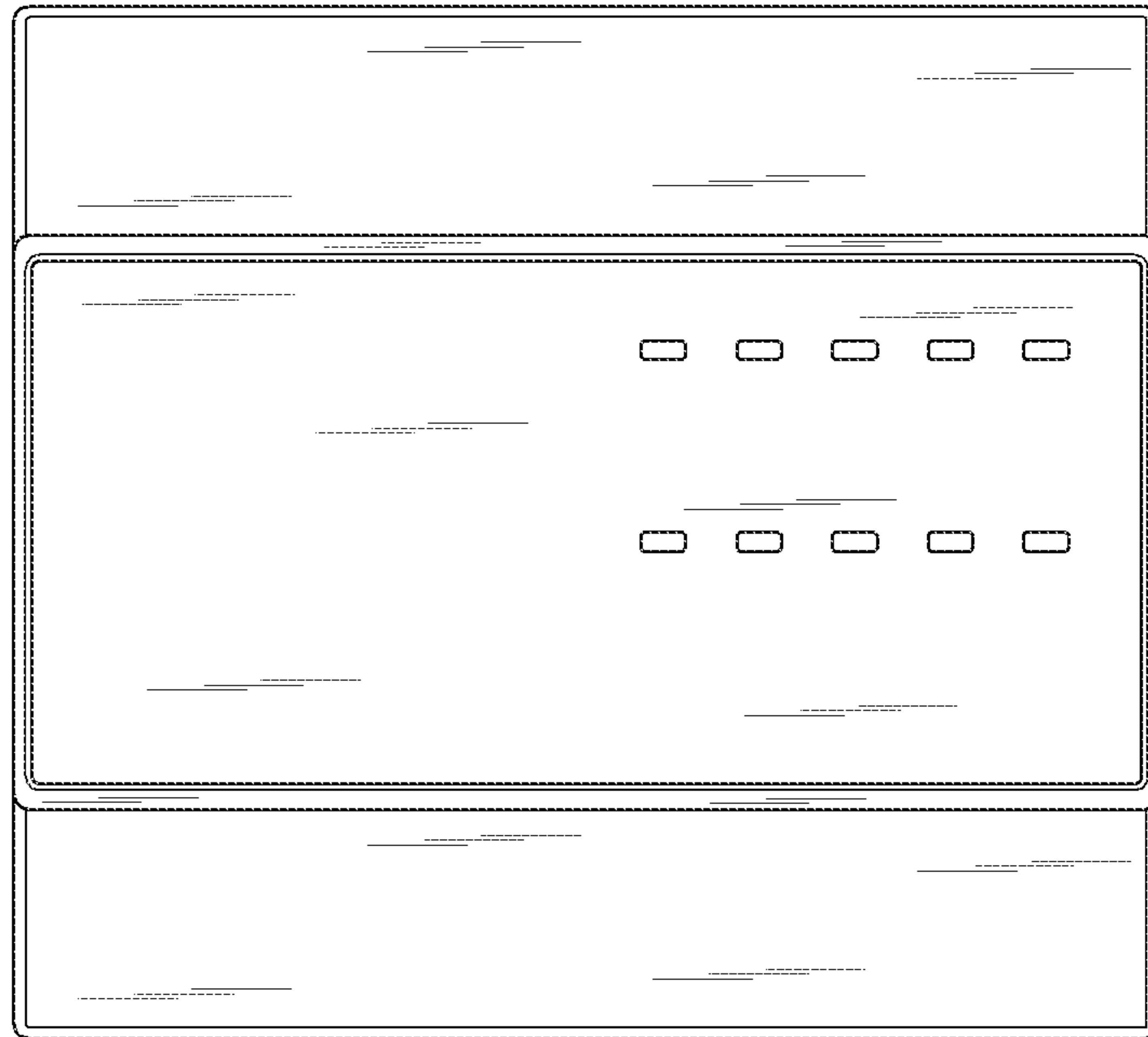


FIG. 3

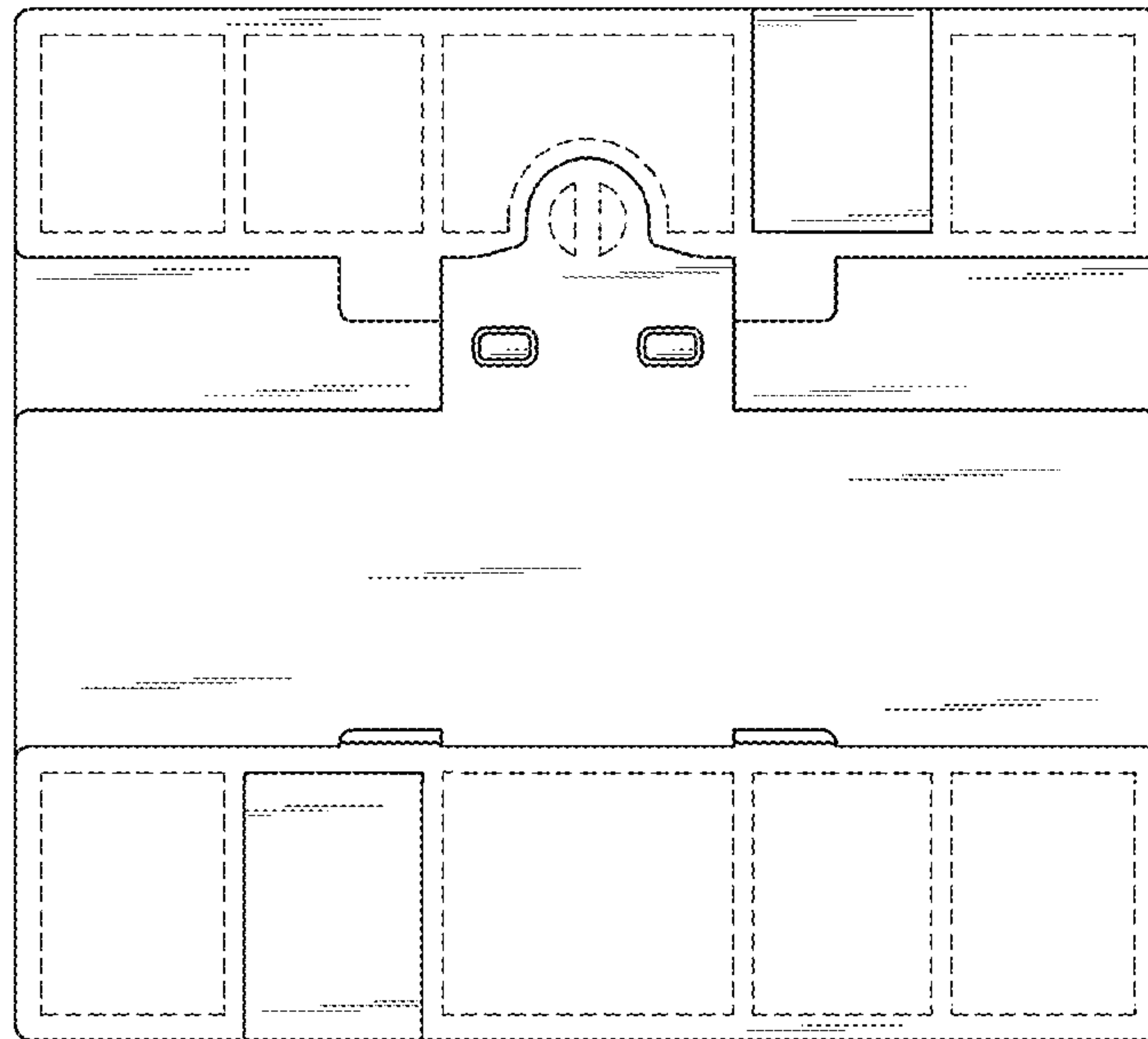


FIG. 4

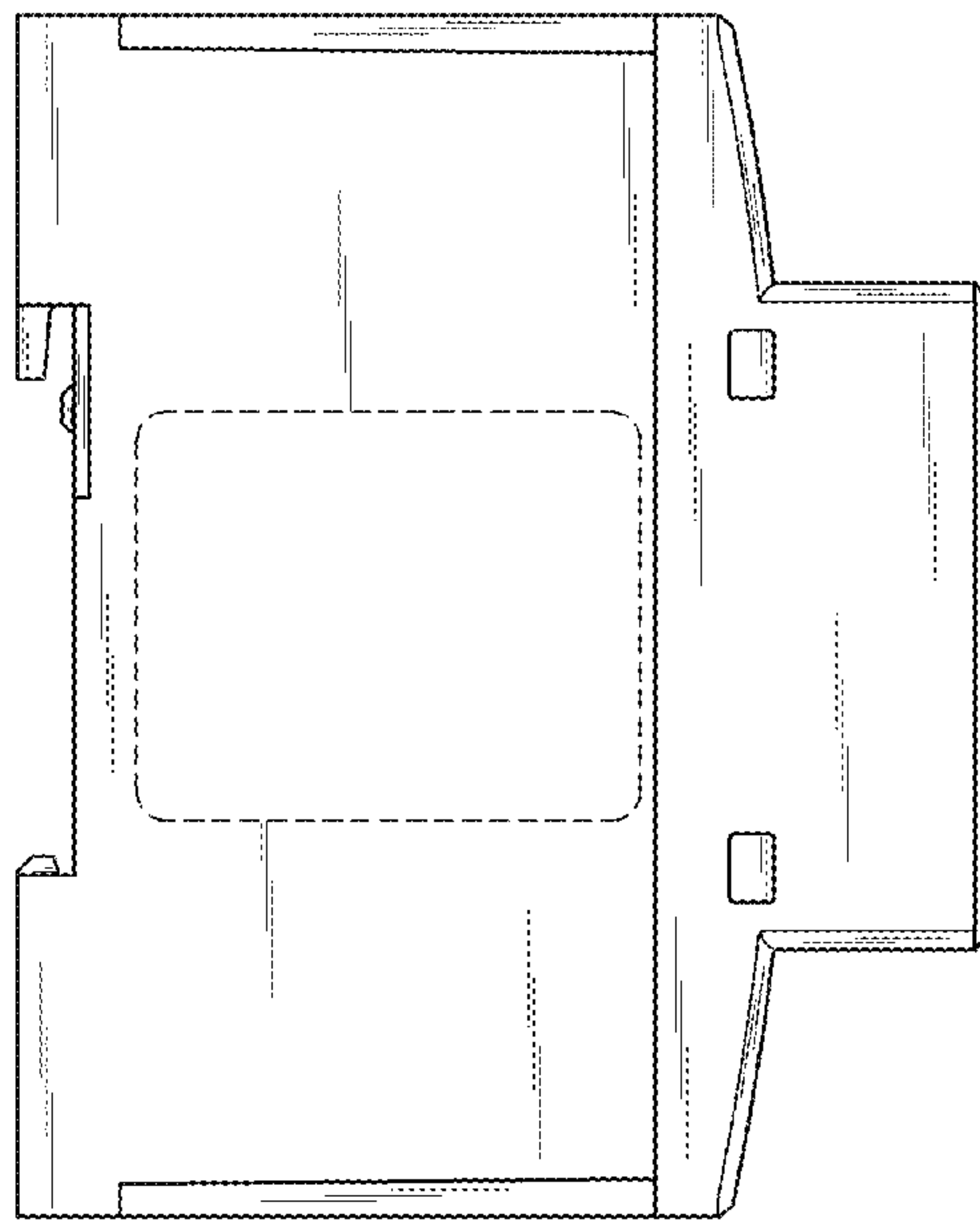


FIG. 5

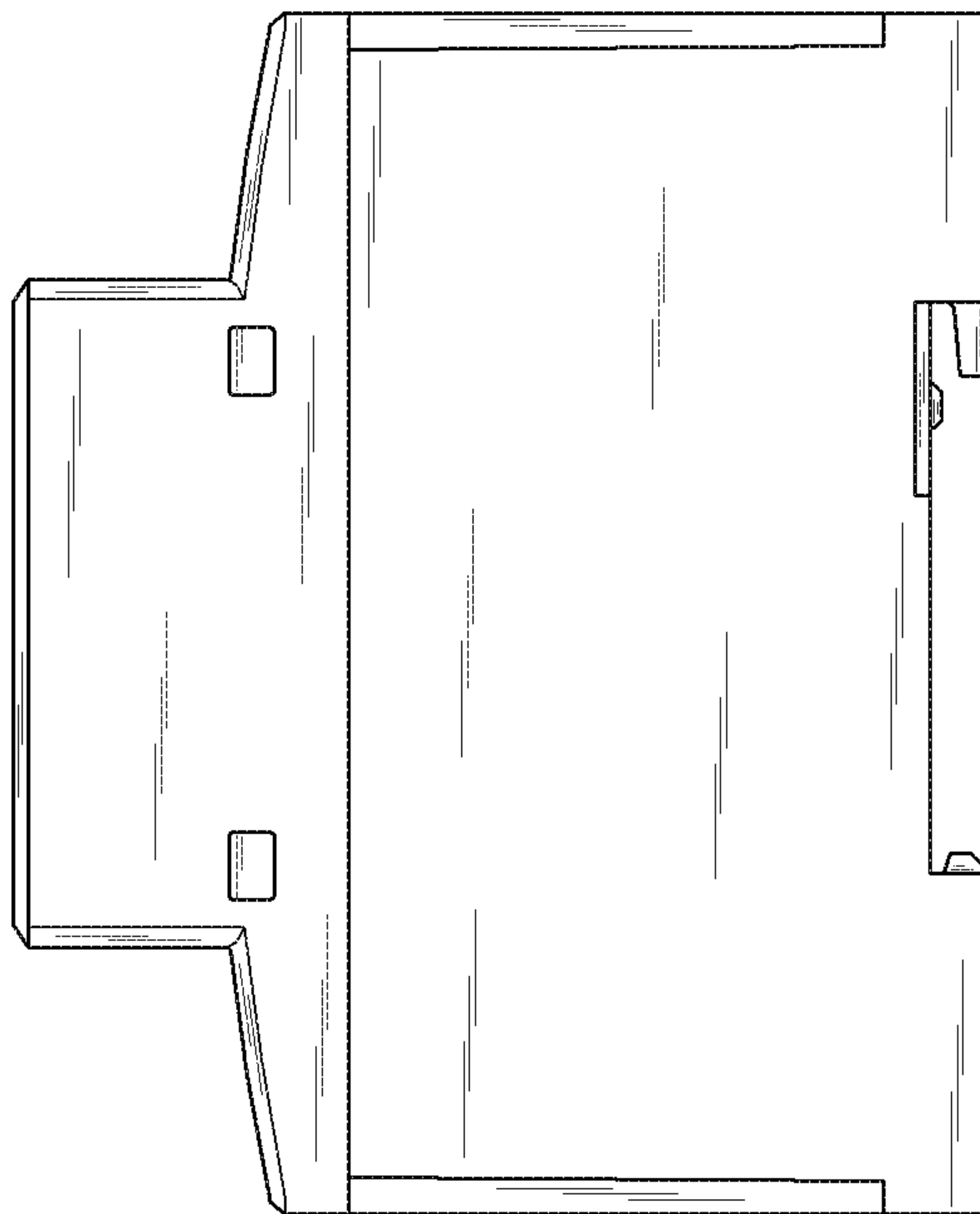


FIG. 6

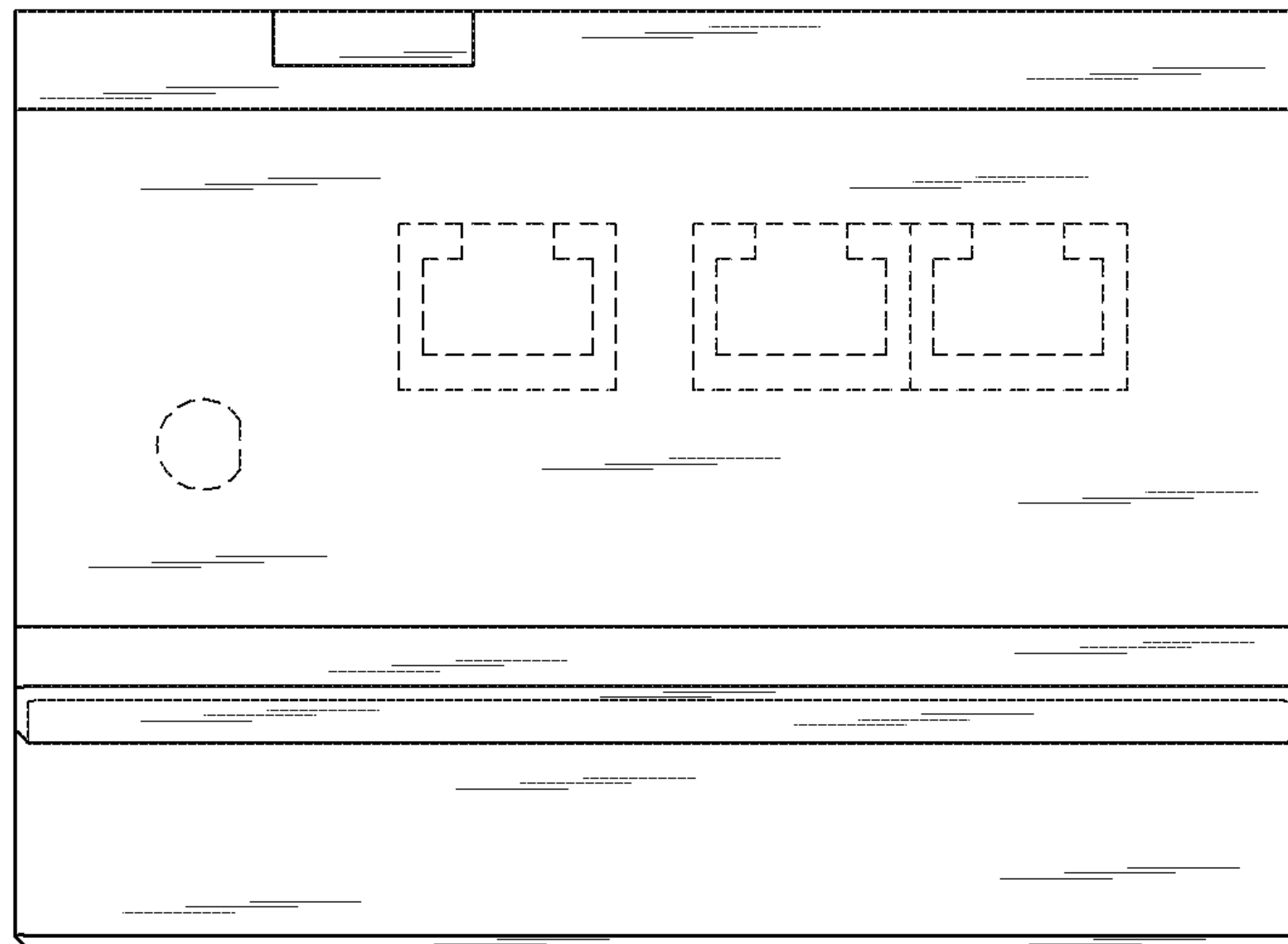


FIG. 7

