



US00D916700S

(12) **United States Design Patent** (10) **Patent No.:** **US D916,700 S**
Li et al. (45) **Date of Patent:** **** Apr. 20, 2021**

(54) **WRIST SMARTPHONE**

(56) **References Cited**

(71) Applicant: **BEIJING XIAOMI MOBILE SOFTWARE CO., LTD.**, Beijing (CN)

U.S. PATENT DOCUMENTS

(72) Inventors: **Ningning Li**, Beijing (CN); **Yingchun Xie**, Beijing (CN); **Jing Jiang**, Beijing (CN); **Zhi Fan**, Beijing (CN)

| | | | | | |
|--------------|------|---------|----------|-------|----------------------|
| 9,577,324 | B2 * | 2/2017 | Chen | | G06F 1/163 |
| D784,325 | S * | 4/2017 | Kim | | D14/344 |
| D826,933 | S * | 8/2018 | Lee | | D14/344 |
| D837,206 | S * | 1/2019 | Guan | | D14/344 |
| D878,365 | S * | 3/2020 | Choplin | | D14/344 |
| D884,695 | S * | 5/2020 | Jones | | D14/344 |
| D889,459 | S * | 7/2020 | Zhang | | D14/344 |
| D900,809 | S * | 11/2020 | Gao | | D14/344 |
| D900,810 | S * | 11/2020 | Ke | | D14/344 |
| D901,493 | S * | 11/2020 | Gao | | D14/344 |
| D903,662 | S * | 12/2020 | Zhu | | D14/344 |
| D903,663 | S * | 12/2020 | Jones | | D14/344 |
| D905,688 | S * | 12/2020 | Barberis | | D14/344 |
| 2015/0320128 | A1 * | 11/2015 | Yoo | | A61B 5/7435 2/170 |

(73) Assignee: **Beijing Xiaomi Mobile Software Co., Ltd.**, Beijing (CN)

(**) Term: **15 Years**

(21) Appl. No.: **35/508,576**

(22) Filed: **Oct. 21, 2019**

(80) **Hague Agreement Data**

Int. Filing Date: **Oct. 21, 2019**
Int. Reg. No.: **DM/205724**
Int. Reg. Date: **Oct. 21, 2019**
Int. Reg. Pub. Date: **Feb. 14, 2020**

* cited by examiner

Primary Examiner — Bao-Yen T Nguyen
(74) *Attorney, Agent, or Firm* — Syncoda LLC; Feng Ma

(30) **Foreign Application Priority Data**

Apr. 22, 2019 (CN) 201930186883.3

(51) **LOC (13) Cl.** **14-02**

(52) **U.S. Cl.**
USPC **D14/344**

(58) **Field of Classification Search**
USPC ... D14/344, 138 R, 144, 341, 358, 205, 223,
D14/249; D10/30-39, 70, 98; D11/3, 4,
D11/26, 93-94, 78.1, 79, 86; D24/164,
D24/167, 169, 186-187
CPC G06F 1/163; G06F 3/014; G04G 21/08;
G04G 15/00; A61B 5/681; H04M 1/7253
See application file for complete search history.

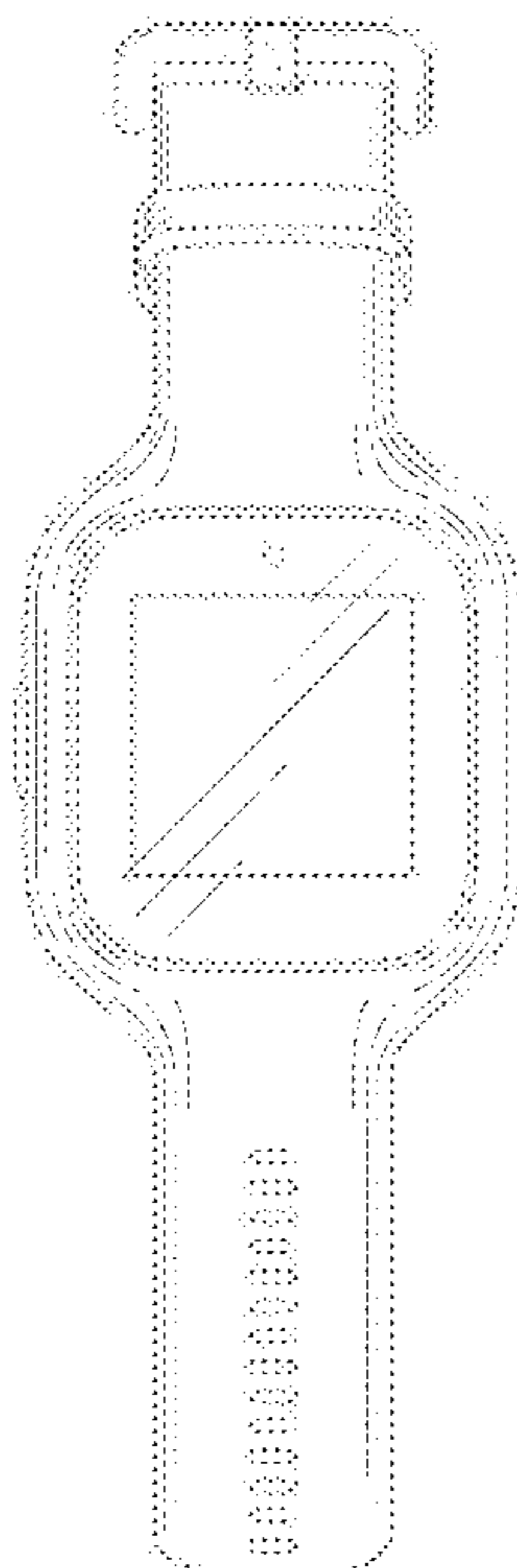
(57) **CLAIM**

The ornamental design for a wrist smartphone, as shown and described.

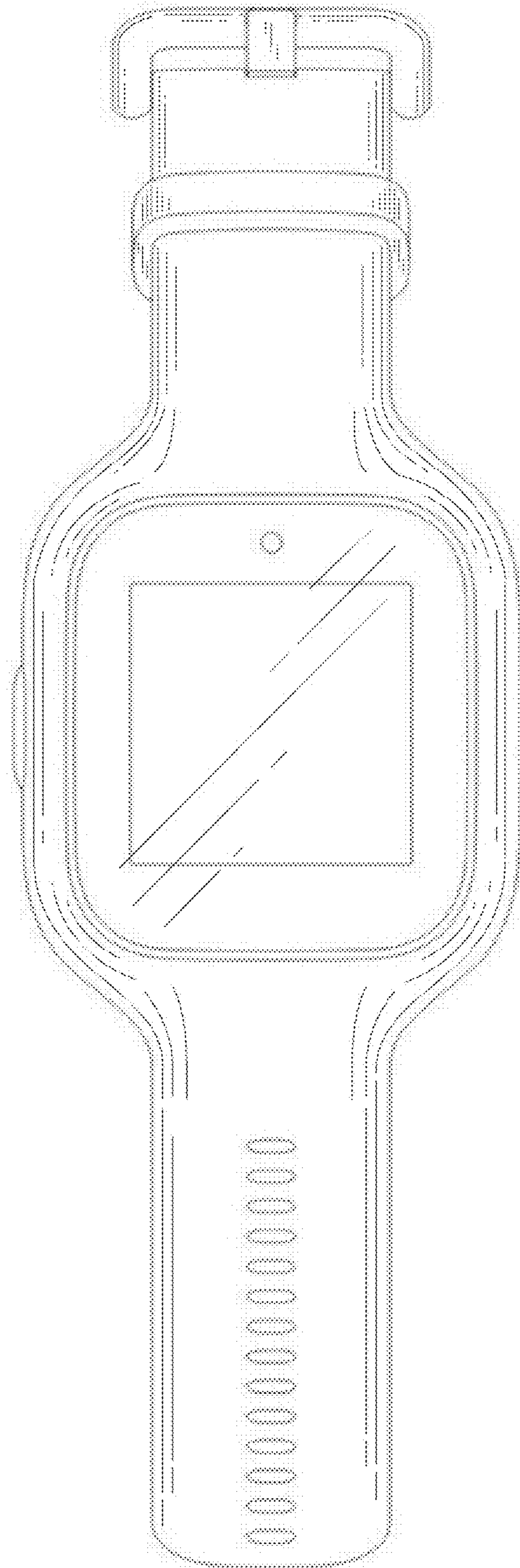
DESCRIPTION

- 1. Wrist smartphone
- 1.1 : Front
- 1.2 : Back
- 1.3 : Left
- 1.4 : Right
- 1.5 : Top
- 1.6 : Bottom
- 1.7 : Perspective
- 1.8 : Perspective

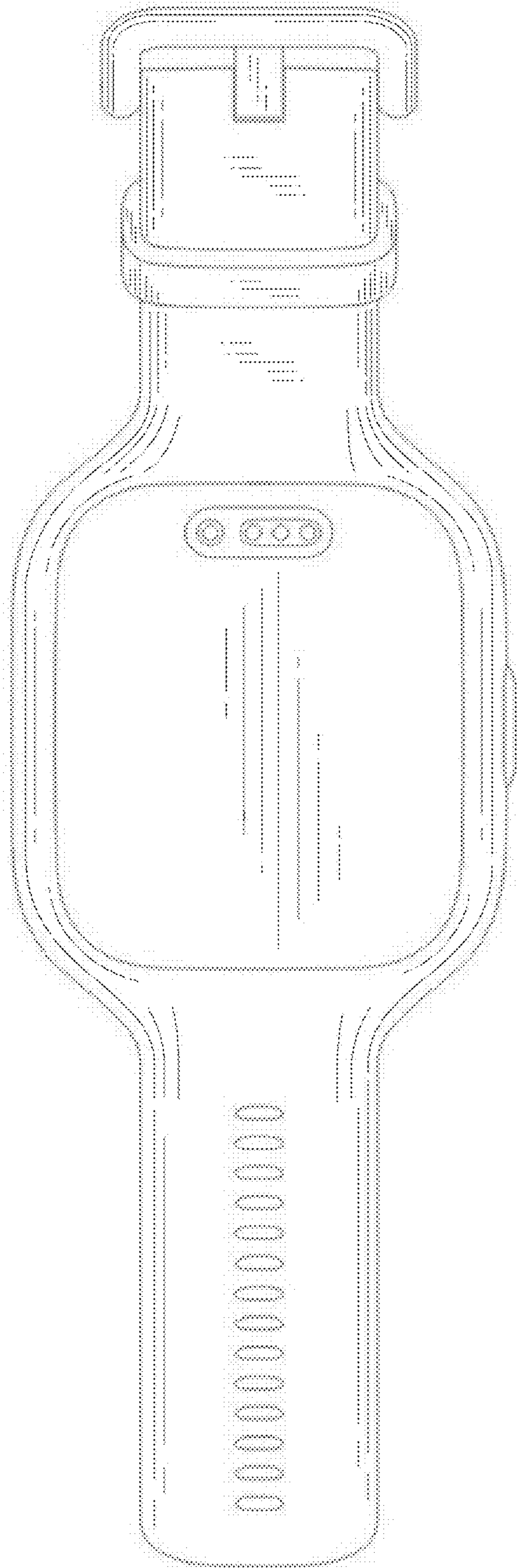
1 Claim, 8 Drawing Sheets



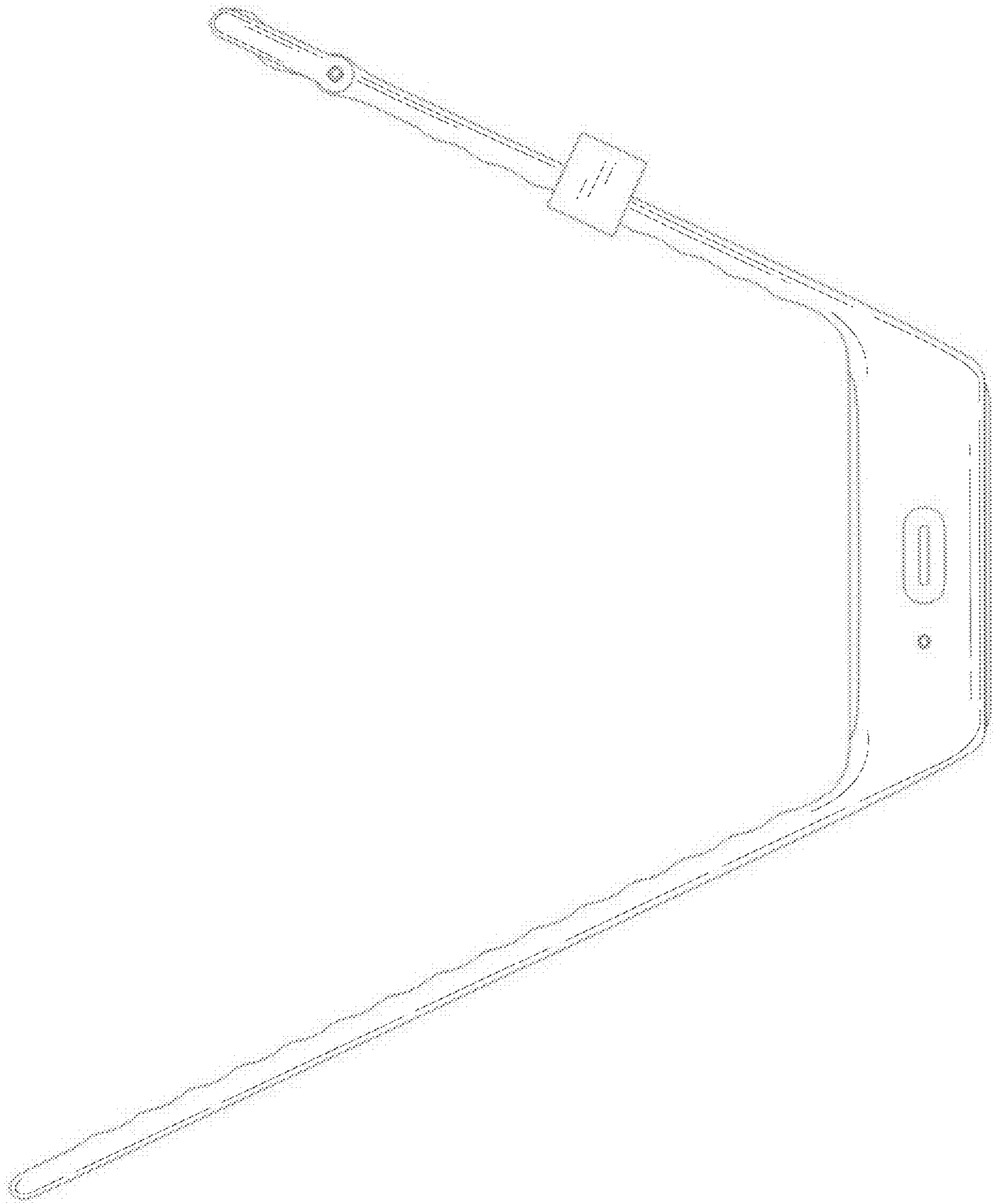
1.1



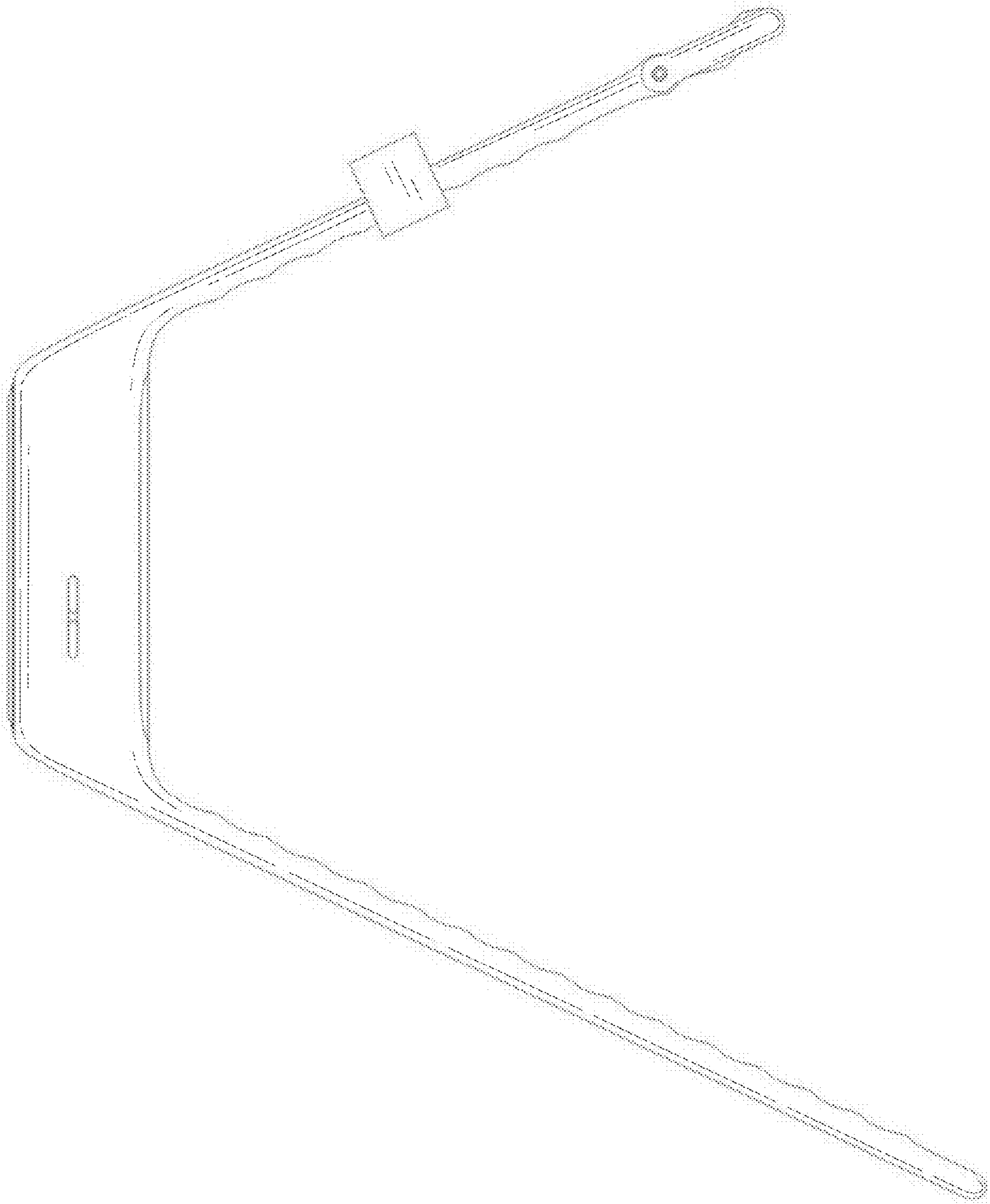
1.2



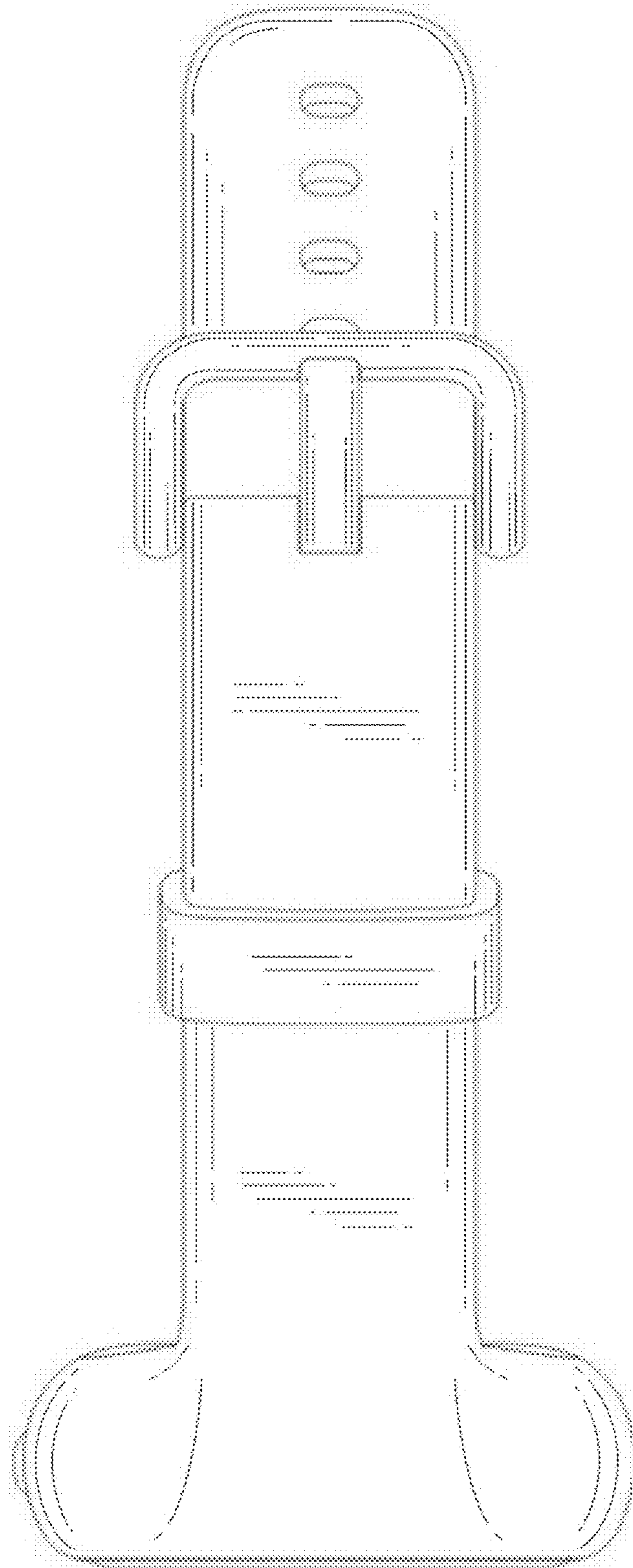
1.3



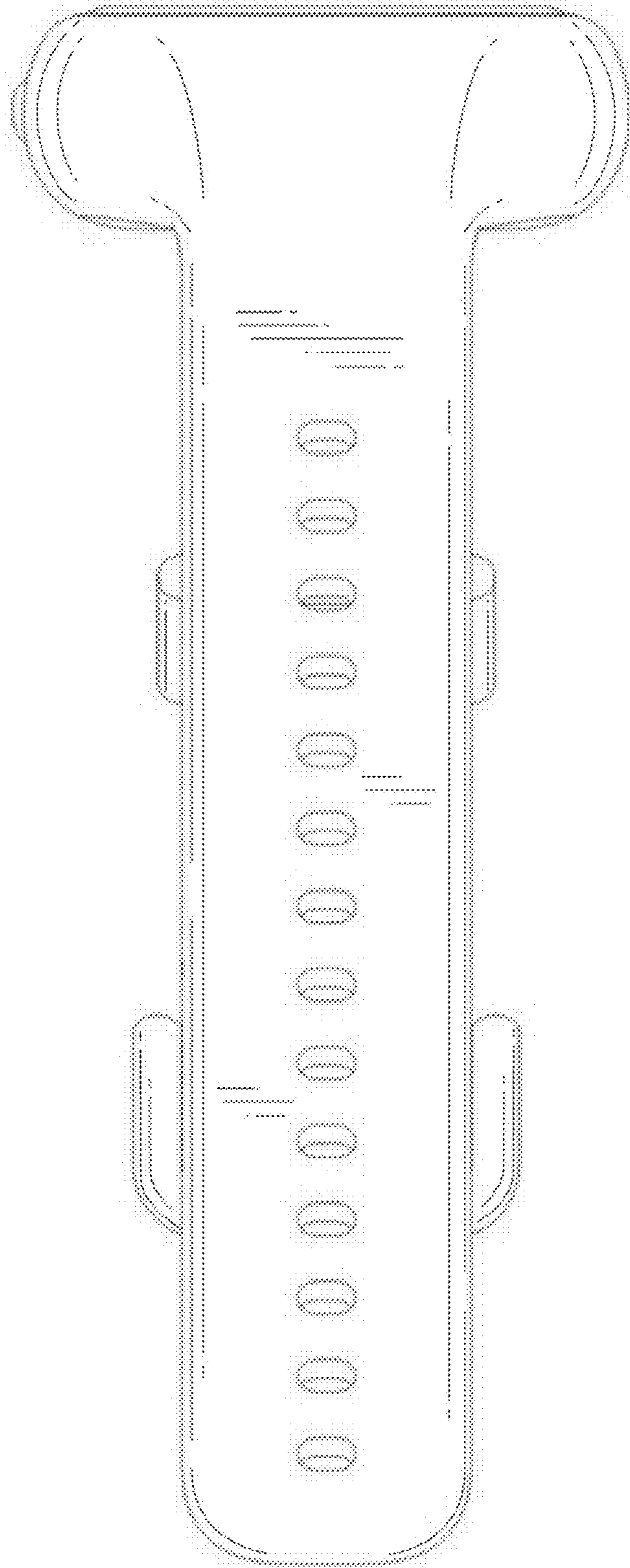
1.4



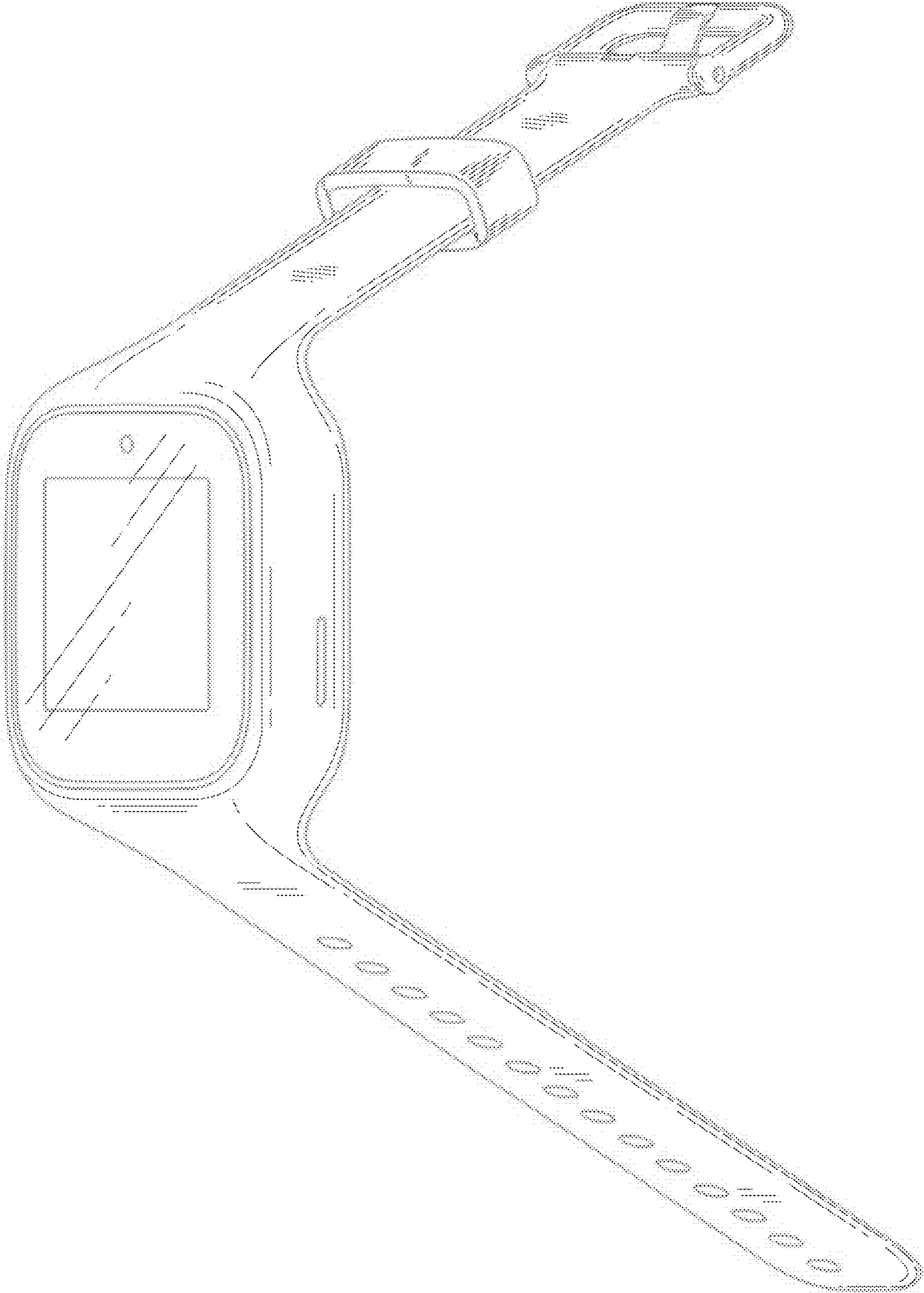
1.5



1.6



1.7



1.8

