



US00D916698S

(12) **United States Design Patent** (10) **Patent No.:** **US D916,698 S**  
**Choplin et al.** (45) **Date of Patent:** **\*\* Apr. 20, 2021**

(54) **ACCESSORY CLIP FOR A SMART WATCH**

(71) Applicant: **Fitbit, Inc.**, San Francisco, CA (US)

(72) Inventors: **Stephanie Lydia Renee Choplin**, San Francisco, CA (US); **Cory William Worth**, Palo Alto, CA (US); **Brian Dennis Paschke**, San Francisco, CA (US)

(73) Assignee: **Fitbit, Inc.**, San Francisco, CA (US)

(\*\*) Term: **15 Years**

(21) Appl. No.: **29/675,072**

(22) Filed: **Dec. 28, 2018**

(51) **LOC (13) Cl.** ..... **14-02**

(52) **U.S. Cl.**  
USPC ..... **D14/344**

(58) **Field of Classification Search**

USPC .. D14/138 R, 144, 341, 344, 358, 388, 218;  
D10/30-39, 70, 98, 2; D11/3, 4, 26,  
D11/93-94, 78.1, 79, 86; D24/167, 169,  
D24/186-187, 164; D8/394; D3/215,  
D3/218

CPC .... A41D 1/002; A41D 19/0034; G04G 17/00;  
G04G 17/02; G04G 17/08; G04G 17/083;  
G04G 17/086; G04C 3/00; G04C 3/001;  
G04C 3/002; G04C 3/004; G04C 3/005;  
G04C 3/007; G04C 17/00; G04C 23/02;  
G04C 23/04; G04B 3/04; G04B 19/24;  
G04B 19/26; G04B 37/00; G04B  
45/0069; G04B 47/04; G04B 37/0008;  
G04B 37/0058; G04B 37/12; G04B  
37/18; G04B 45/00; G04B 47/00; G04B  
47/042; G04B 47/06; G04B 47/063

See application file for complete search history.

(56) **References Cited**

**U.S. PATENT DOCUMENTS**

D295,501 S \* 5/1988 Brayford ..... D10/15  
D328,259 S \* 7/1992 Kobayashi ..... D10/98

D334,721 S \* 4/1993 Katz ..... D10/98  
D338,846 S \* 8/1993 Jewell ..... D10/104.2  
D342,034 S \* 12/1993 Huang ..... D10/98  
5,511,702 A 4/1996 Yang  
D393,813 S \* 4/1998 Herdt ..... D11/78.1  
D400,466 S \* 11/1998 Gleason ..... D11/78.1  
D464,755 S \* 10/2002 Harris ..... D26/60

(Continued)

**OTHER PUBLICATIONS**

Pending U.S. Appl. No. 29/621,239, filed Oct. 5, 2017.

*Primary Examiner* — Sheryl Lane

*Assistant Examiner* — Calvin E Vansant

(74) *Attorney, Agent, or Firm* — Polson Intellectual Property Law, PC; Margaret Polson

(57) **CLAIM**

The ornamental design for an accessory clip for a smart watch, as shown and described.

**DESCRIPTION**

FIG. 1 is a top, left side isometric view of our new design for an accessory clip for a smart watch, all other surfaces being the same as the embodiment of FIG. 1 other than the disclaimed surfaces.

FIG. 2 is a left side elevation view of FIG. 1.

FIG. 3 is a right side elevation view of FIG. 1.

FIG. 4 is a top side plan view of FIG. 1.

FIG. 5 is a bottom side plan view of FIG. 1.

FIG. 6 is a front side elevation view of FIG. 1.

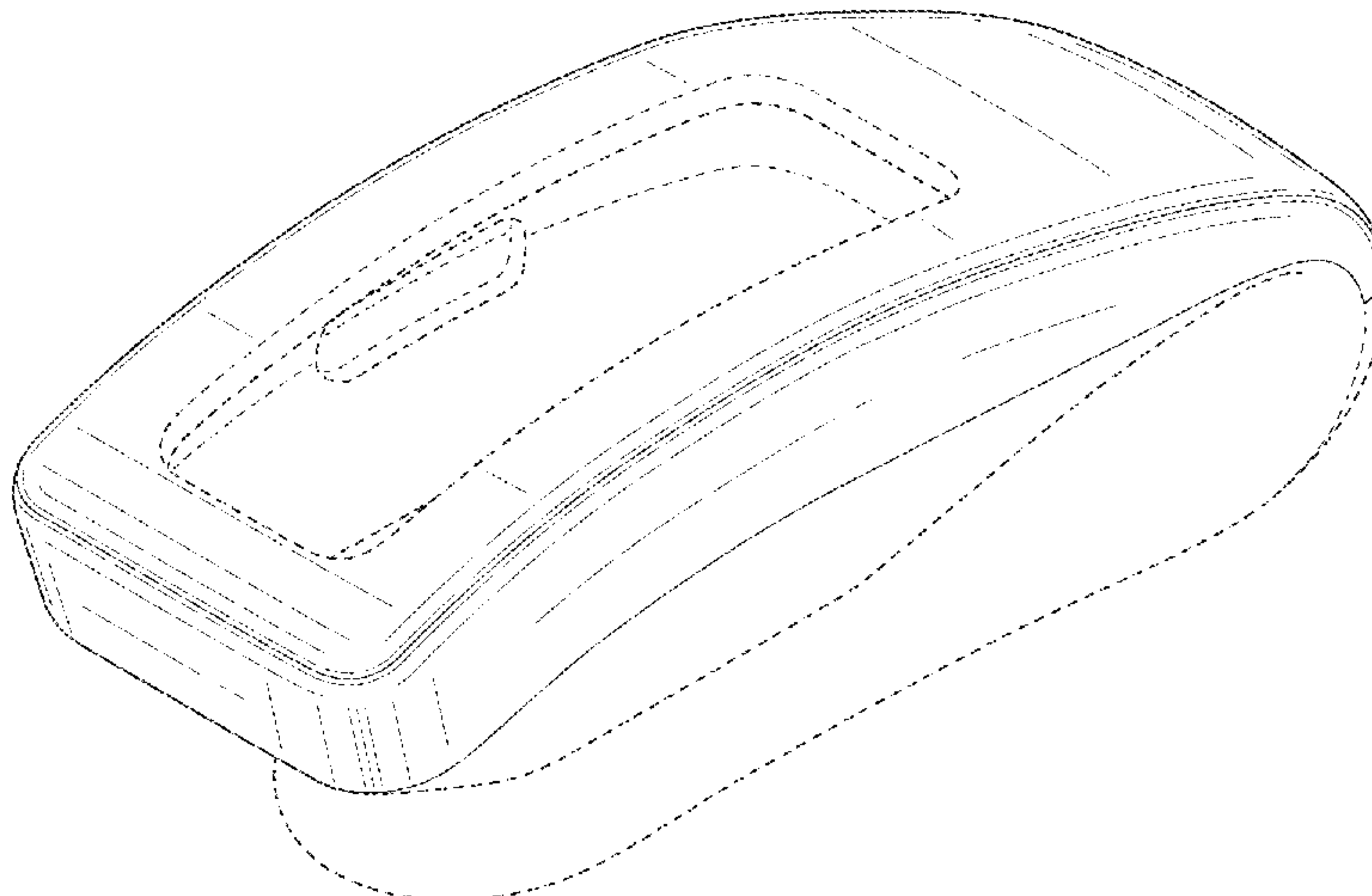
FIG. 7 is a back side elevation view of FIG. 1.

FIG. 8 is an isometric view of the clip of FIG. 1 with the body of a smart watch inserted; and,

FIG. 9 is an isometric view of the clip of FIG. 10 showing the body of the smart watch to be inserted.

The features shown in broken lines in the drawing depict environmental subject matter only, and form no part of the claimed design.

**1 Claim, 6 Drawing Sheets**



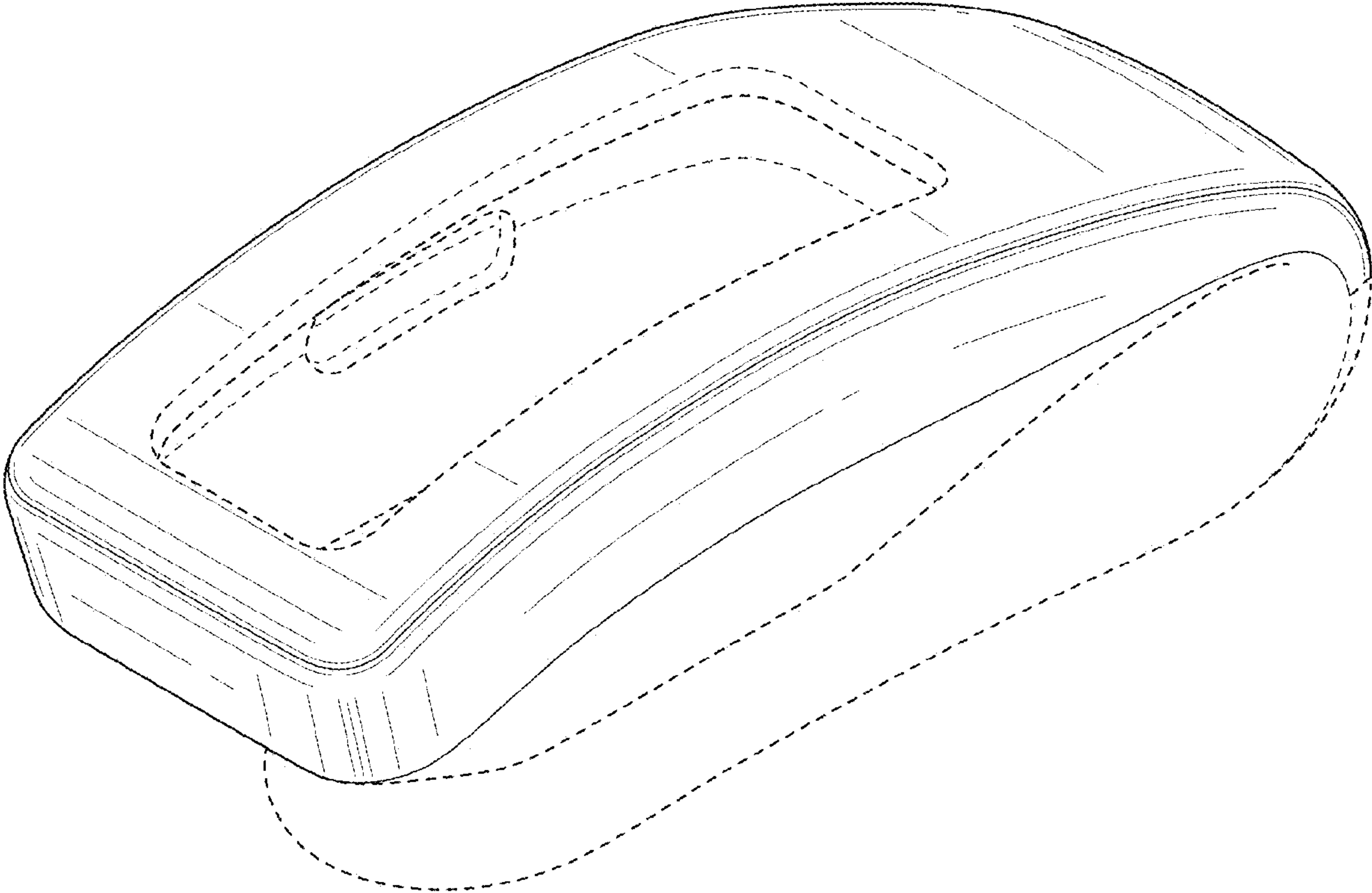
(56)

**References Cited**

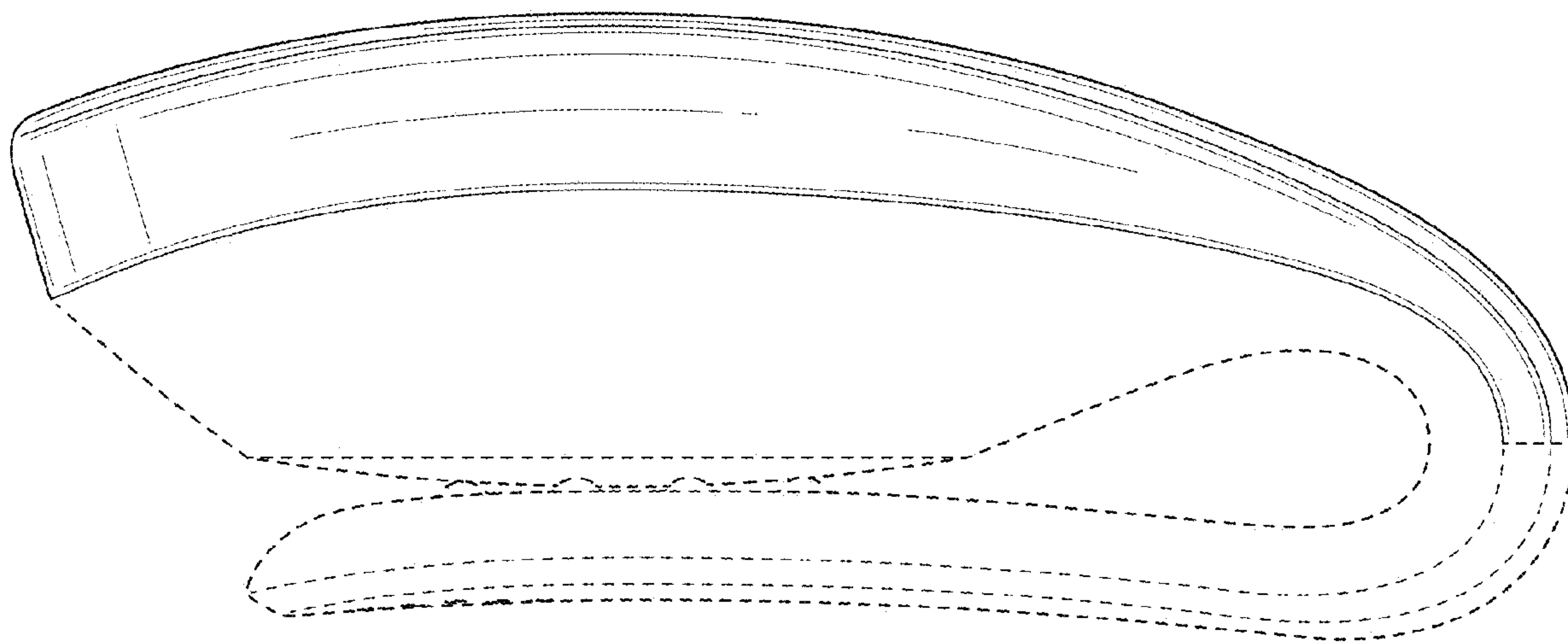
## U.S. PATENT DOCUMENTS

D484,035	S	*	12/2003	Smith-Kielland	.....	248/68.1
D505,635	S	*	5/2005	McGee	.....	D11/78.1
D548,457	S		8/2007	Reinerio		
D552,008	S	*	10/2007	McGarity	.....	D11/78.1
D555,896	S		11/2007	Ward-Llewellyn		
D559,987	S	*	1/2008	Strother	.....	D24/187
D596,163	S	*	7/2009	Madonna	.....	D14/218
D658,051	S	*	4/2012	Boucher-Gagne et al.	...	D8/394
D677,193	S	*	3/2013	MacDonald	.....	D11/78.1
D683,636	S	*	6/2013	Levanen	.....	D10/70
D685,570	S		7/2013	Ito et al.		
D688,586	S	*	8/2013	Diehl	.....	D11/78.1
D706,531	S	*	6/2014	Park	.....	D3/215
D707,041	S		6/2014	Park et al.		
D708,377	S	*	7/2014	Osiecki	.....	D26/37
D713,076	S	*	9/2014	von Waldthausen	.....	D26/37
D758,901	S	*	6/2016	Benoit	.....	D10/70
D771,824	S	*	11/2016	Minoli	.....	D24/187
D803,077	S		11/2017	Paschke et al.		

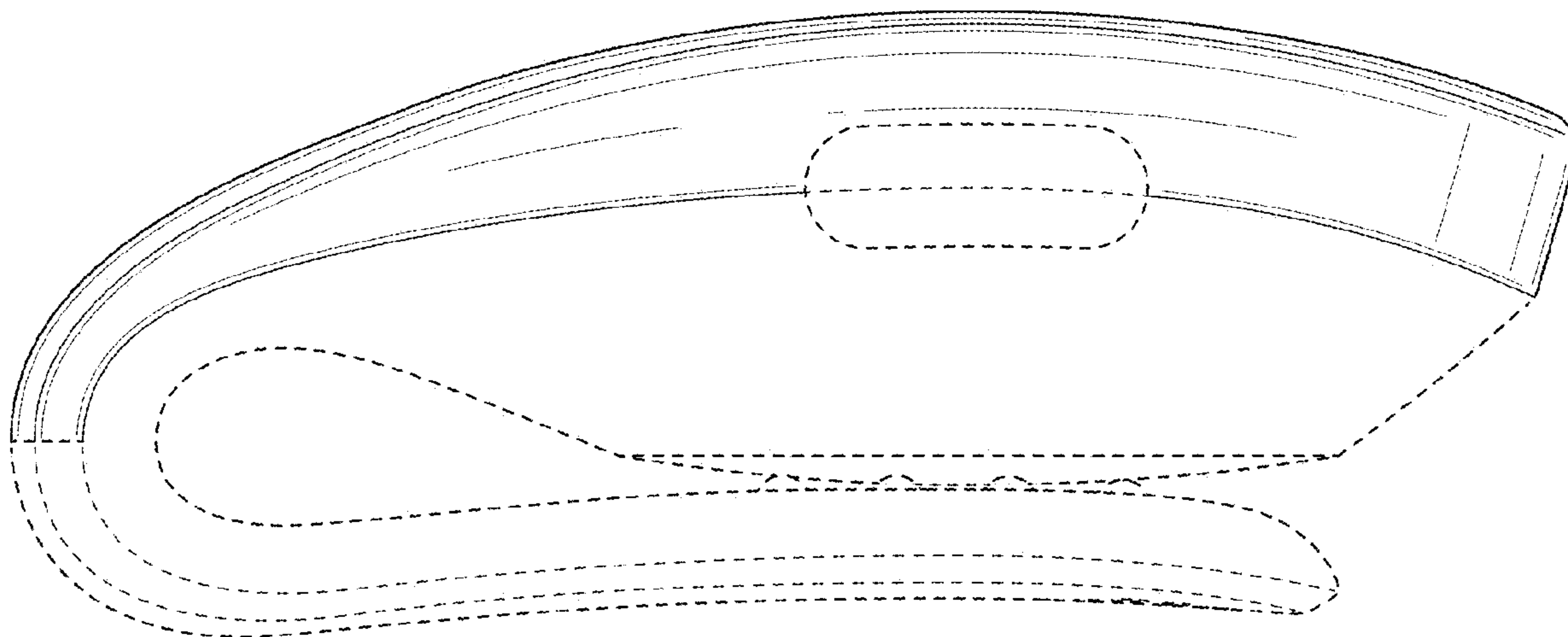
\* cited by examiner



**FIG. 1**

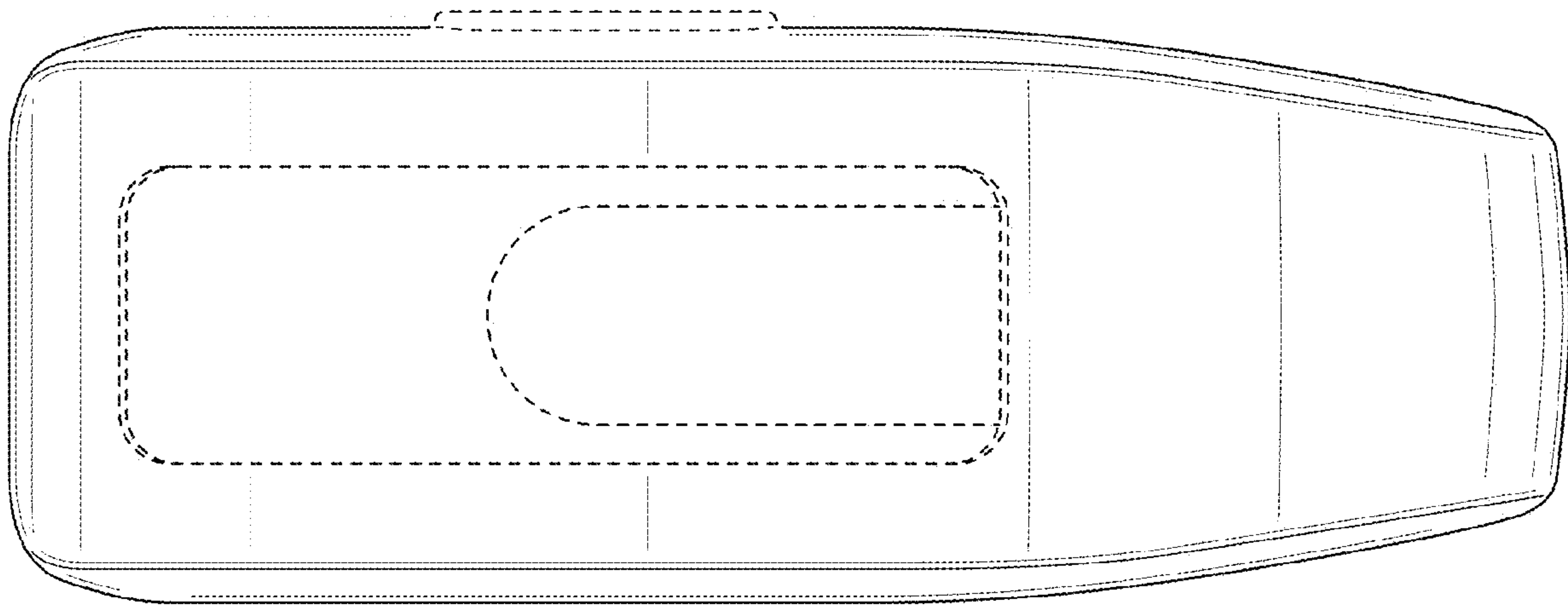


**FIG. 2**

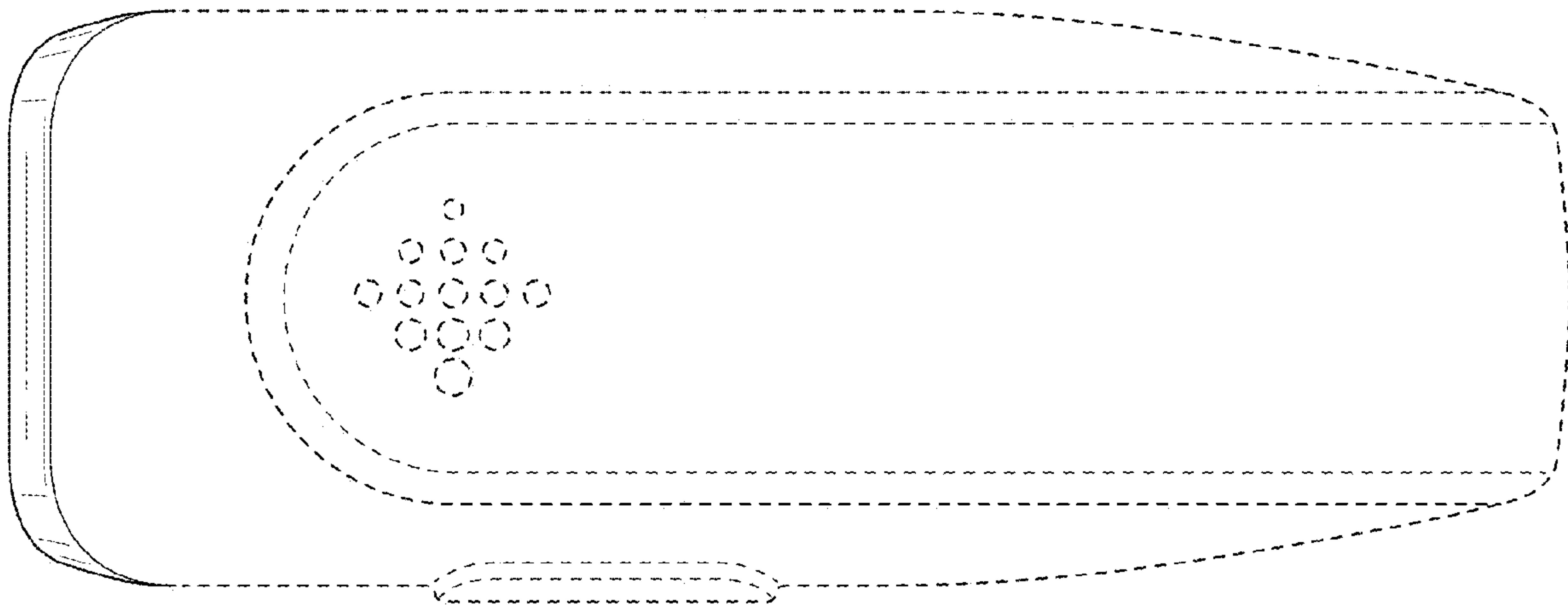


**FIG. 3**

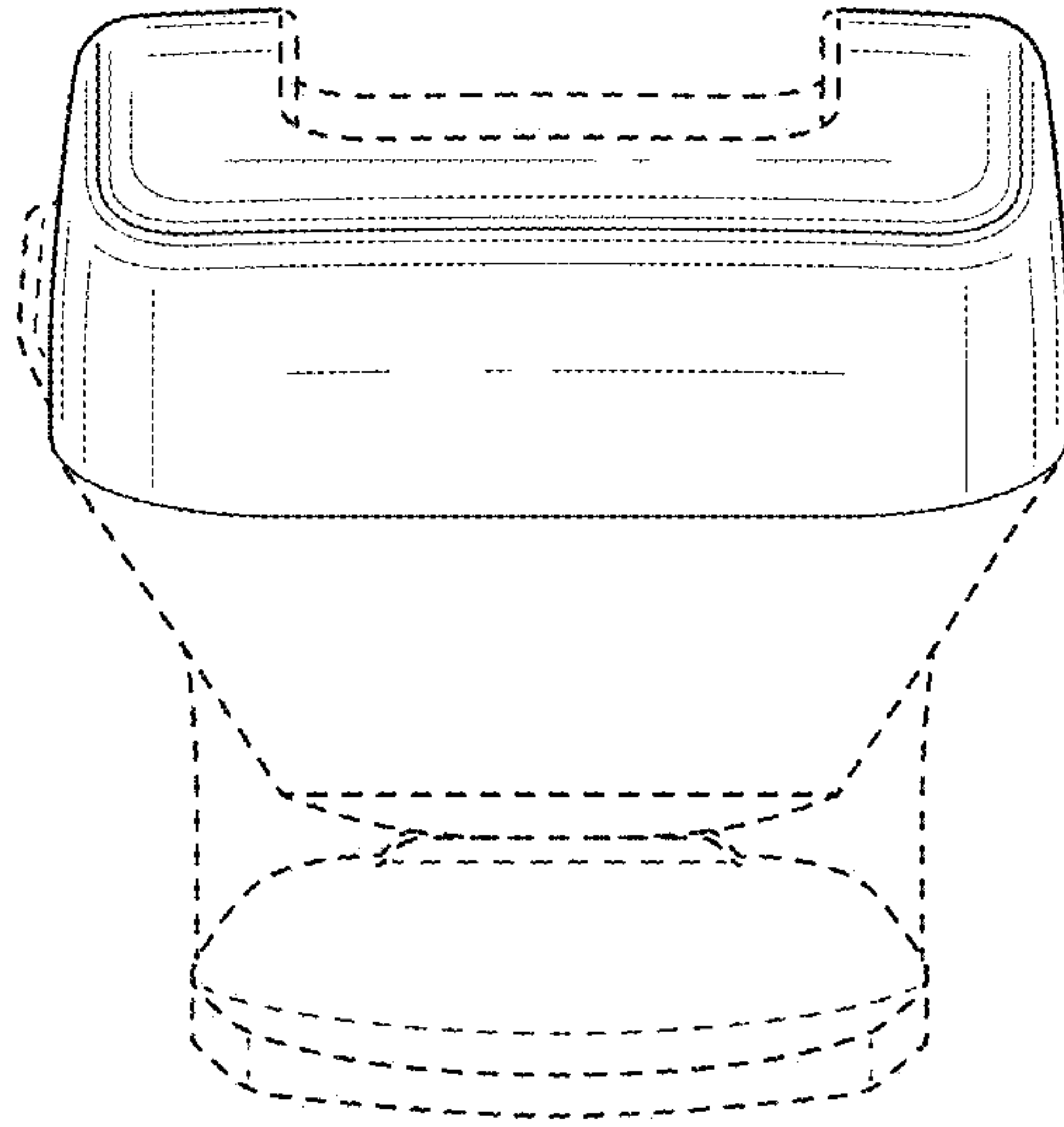




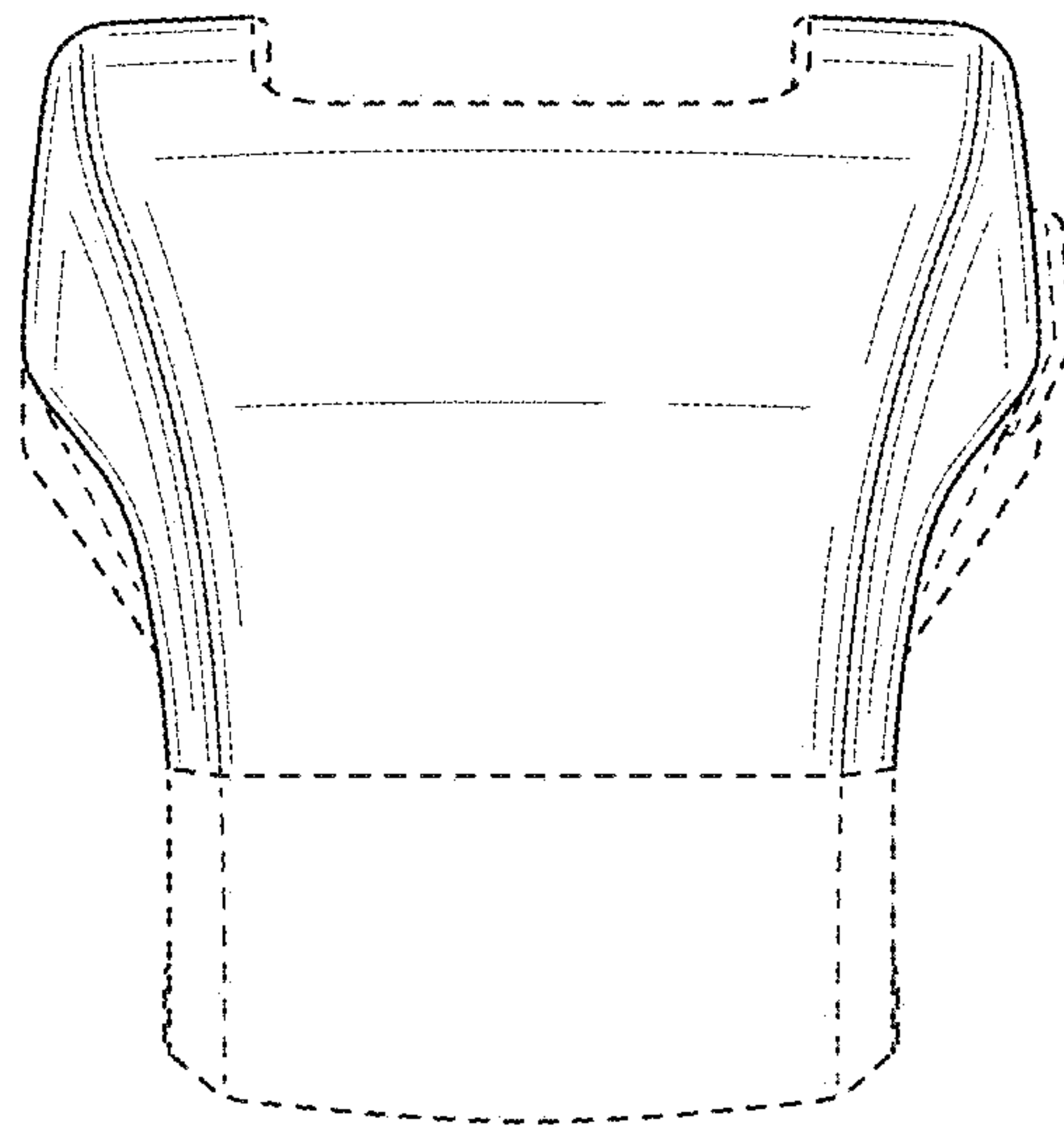
**FIG. 4**



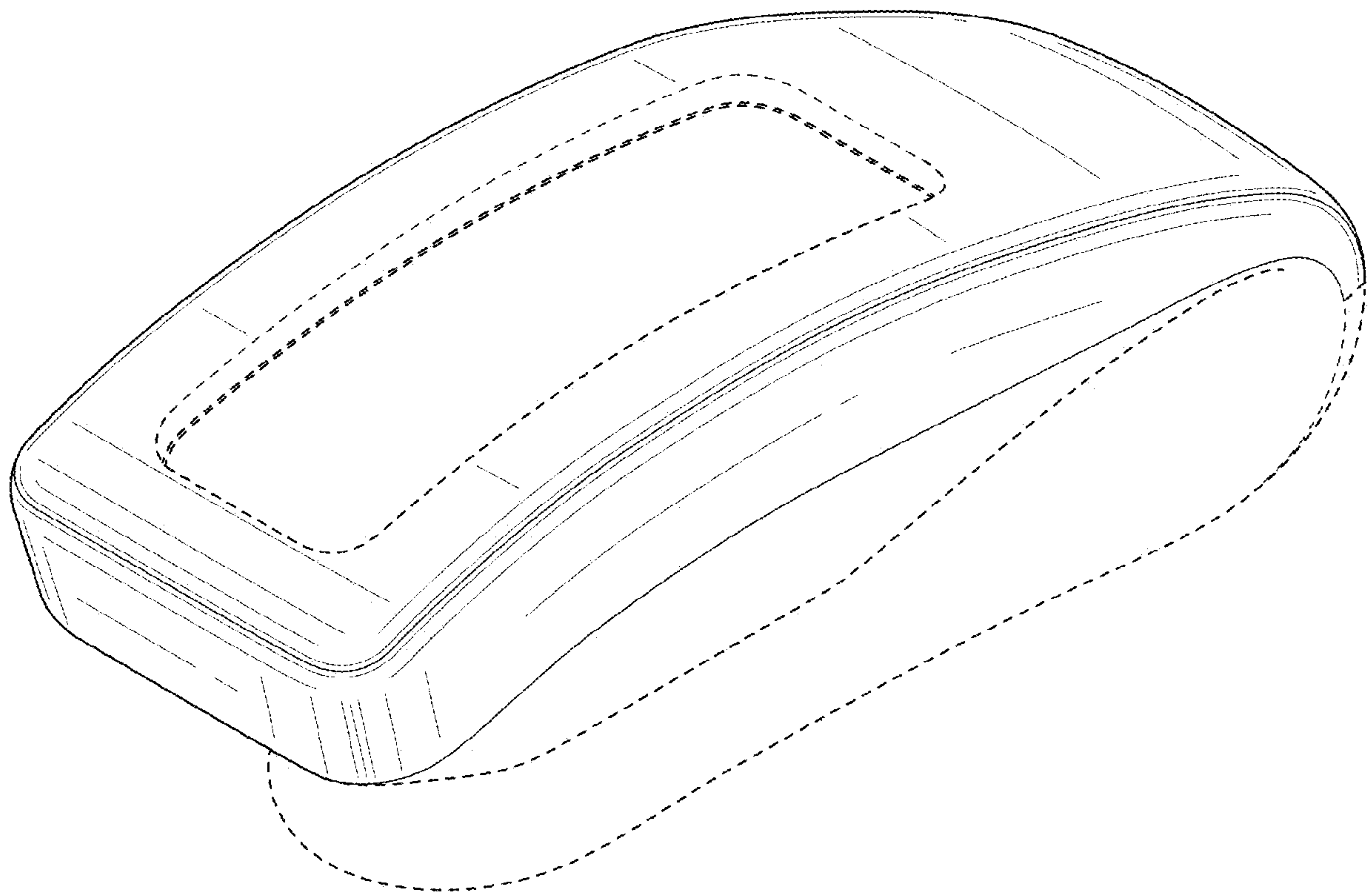
**FIG. 5**



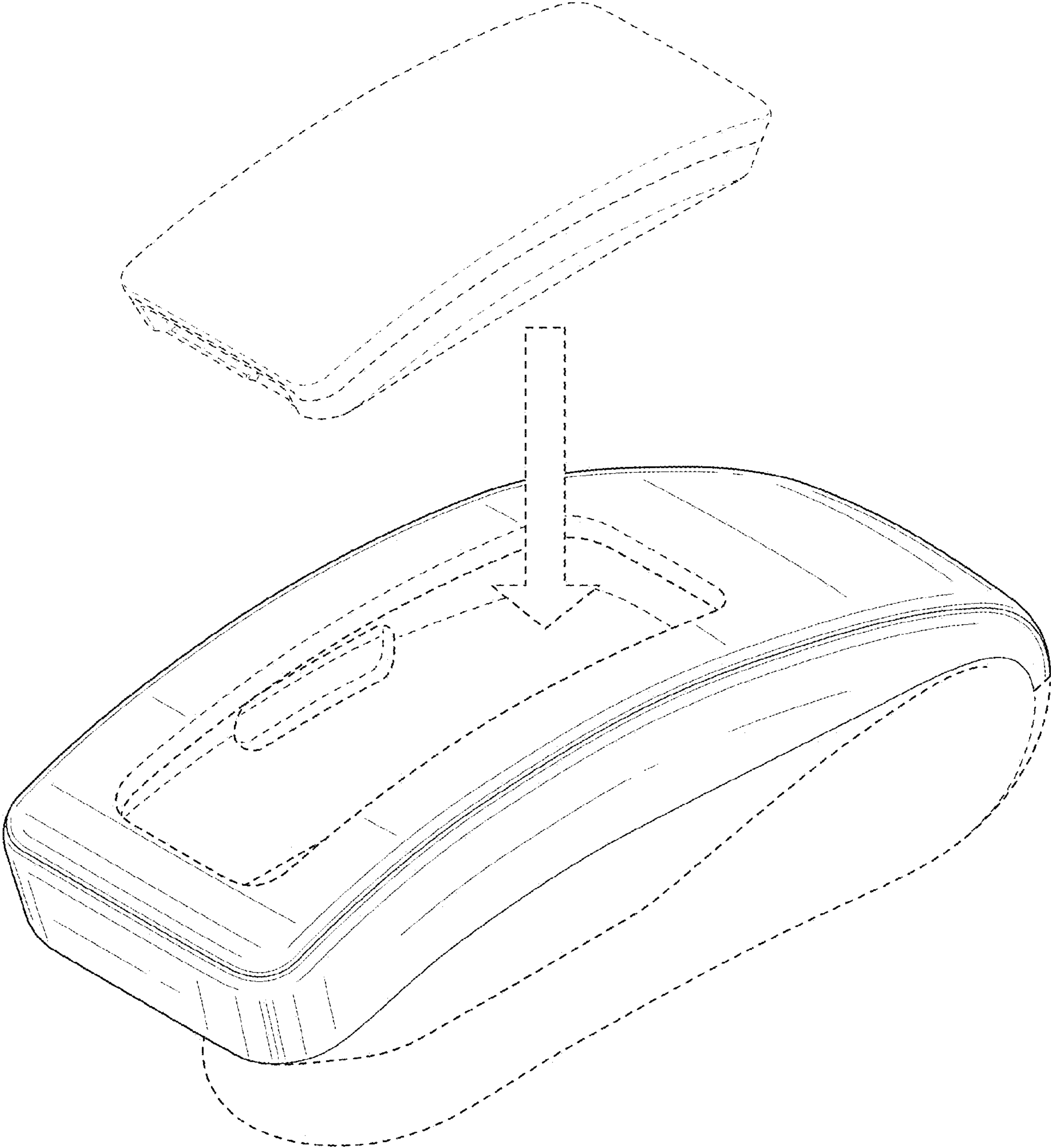
**FIG. 6**



**FIG. 7**



**FIG. 8**



**FIG. 9**