



US00D916695S

(12) **United States Design Patent** (10) **Patent No.:** **US D916,695 S**
Lee (45) **Date of Patent:** **** Apr. 20, 2021**

(54) **STAND FOR ELECTRONIC DEVICE**

(71) Applicant: **ELAGO COMPANY CO., LTD.**,
Goyang-si (KR)

(72) Inventor: **Chanwoo Lee**, Goyang-si (KR)

(73) Assignee: **ELAGO COMPANY CO., LTD.**,
Goyang-si (KR)

(**) Term: **15 Years**

(21) Appl. No.: **29/759,821**

(22) Filed: **Nov. 25, 2020**

(51) **LOC (13) Cl.** **14-03**

(52) **U.S. Cl.**
USPC **D14/253**; D13/108

(58) **Field of Classification Search**
USPC D14/251-253, 447, 440; D12/415;
D3/218; D8/349; D13/108
CPC H04M 1/04; H04B 2001/3861; H04B
1/3877; H02J 7/0027; A45C 2001/002;
A45F 2200/0516
See application file for complete search history.

(56) **References Cited**

U.S. PATENT DOCUMENTS

D750,516 S *	3/2016	Myers	D10/80
D800,735 S	10/2017	Akana et al.		
D813,805 S	3/2018	Zhong		
D872,691 S	1/2020	Liao		
D872,726 S *	1/2020	Lindof	D14/253
D873,259 S *	1/2020	Lindof	D14/253
D878,353 S *	3/2020	Heidrich	D14/253
D879,035 S *	3/2020	Li	D13/108
D881,123 S *	4/2020	Zhang	D13/108
D886,058 S *	6/2020	Yoon	D13/108
D886,059 S	6/2020	Hu		
D888,661 S *	6/2020	Yoon	D13/108
D889,403 S	7/2020	Li et al.		

D900,737 S *	11/2020	Hsu	D13/108
D904,978 S *	12/2020	Liao	D13/108
D905,042 S *	12/2020	Lim	D14/253
D908,621 S *	1/2021	Akana	D13/108
D909,967 S *	2/2021	Larson	D13/108
D909,968 S *	2/2021	Chen	D13/108
D911,277 S *	2/2021	Shang	D13/108
D911,278 S *	2/2021	Shang	D13/108

FOREIGN PATENT DOCUMENTS

CN	304912826	11/2018
CN	305851026	6/2020
CN	305980841	8/2020
CN	306092356	10/2020
CN	306128552	10/2020

(Continued)

Primary Examiner — Janice Hallmark

(74) *Attorney, Agent, or Firm* — Paratus Law Group,
PLLC

(57) **CLAIM**

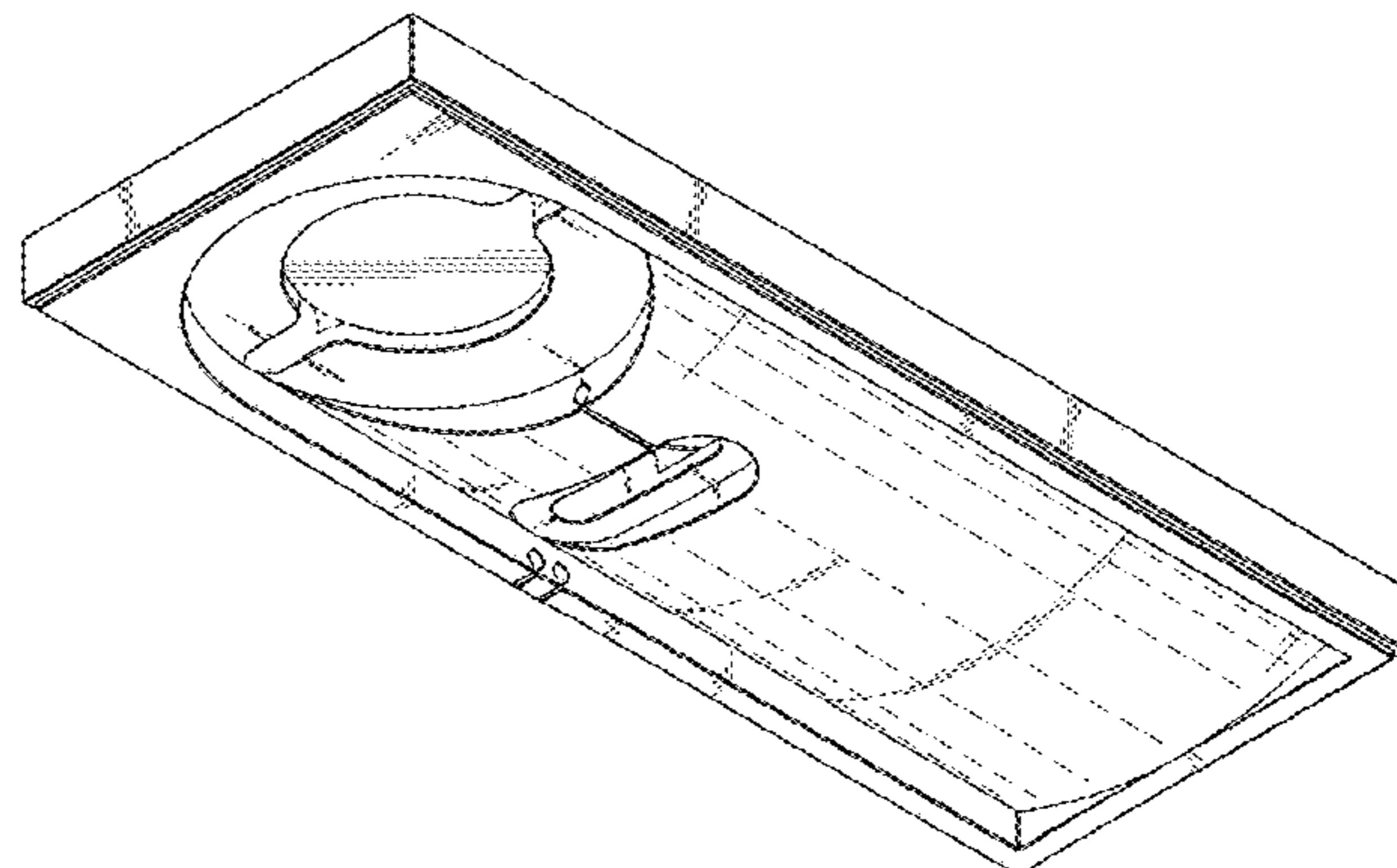
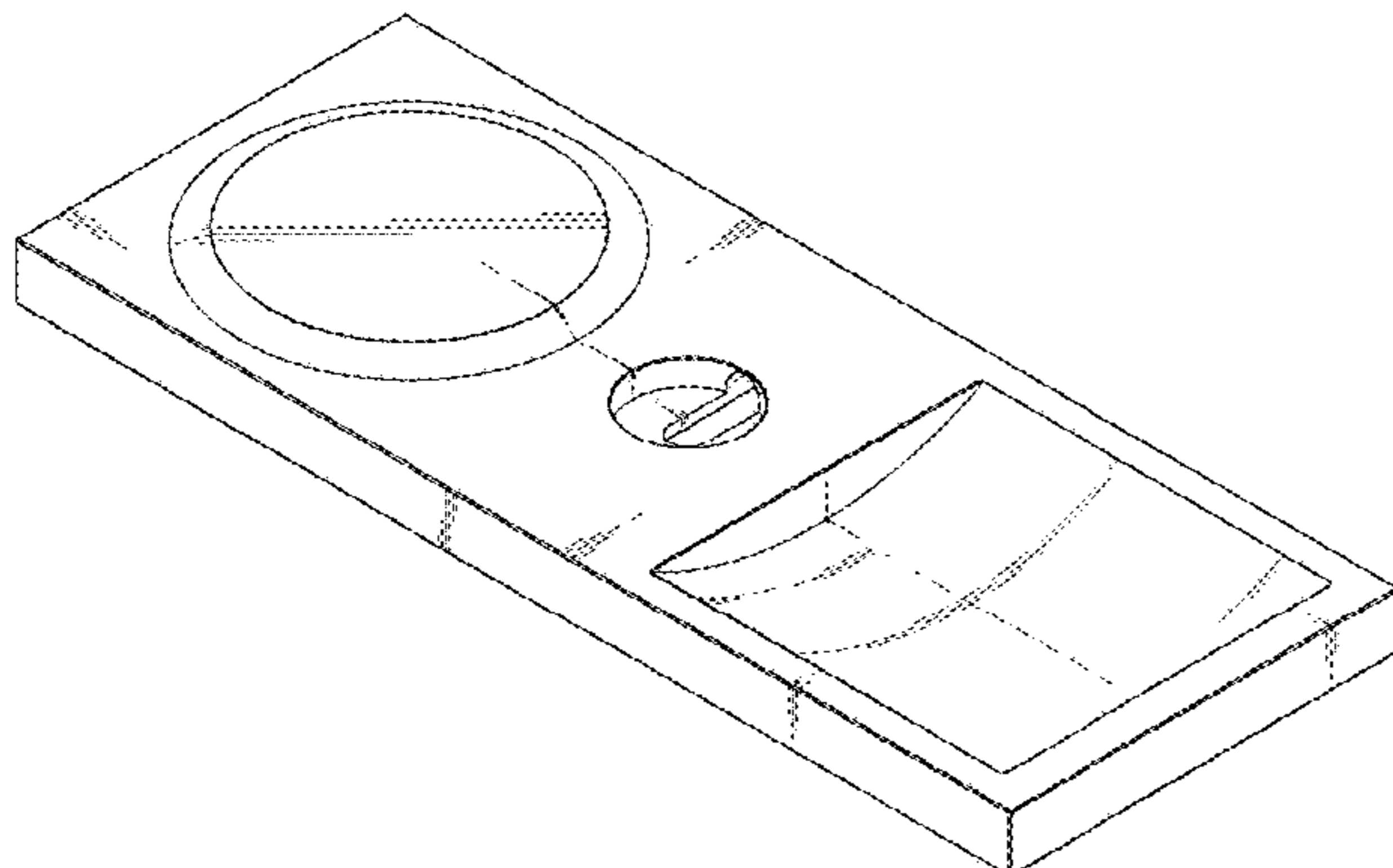
The ornamental design for a stand for electronic device, as shown and described.

DESCRIPTION

FIG. 1 is a front, top, and right sides perspective view of a stand for electronic device, showing my new design;
FIG. 2 is a front view thereof;
FIG. 3 is a back view thereof;
FIG. 4 is a left side view thereof;
FIG. 5 is a right side view thereof;
FIG. 6 is a top view thereof;
FIG. 7 is a bottom view thereof; and,
FIG. 8 is a back, bottom, and left sides perspective view thereof.

The broken lines shown in FIGS. 7 and 8 depict parts of the stand for electronic device, which form no part of the claimed design.

1 Claim, 4 Drawing Sheets



(56)

References Cited

FOREIGN PATENT DOCUMENTS

CN	306140529	10/2020
CN	306155279	11/2020
JP	D1670555	10/2020
JP	D1670820	10/2020

* cited by examiner

FIG. 1

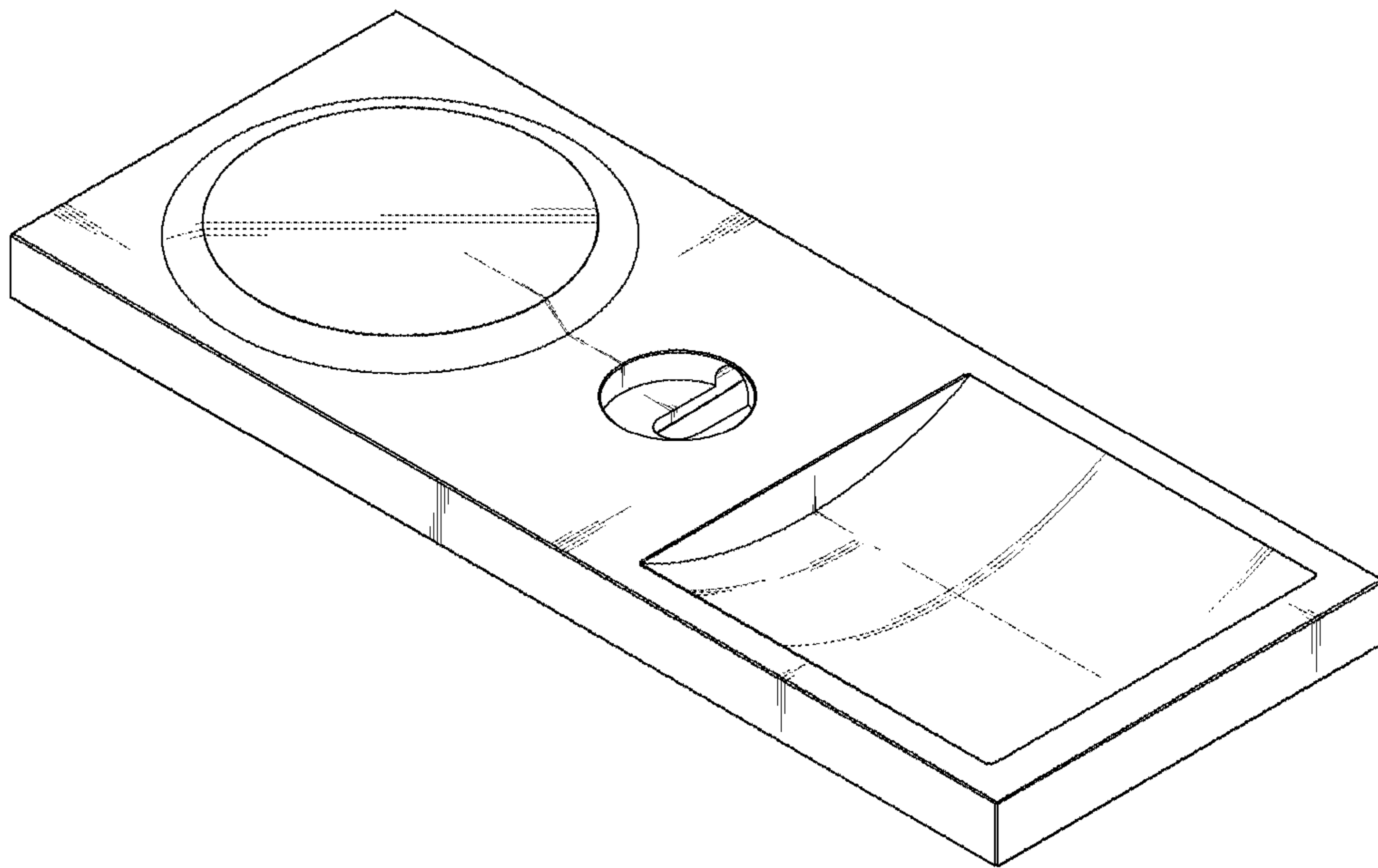


FIG. 2



FIG. 3

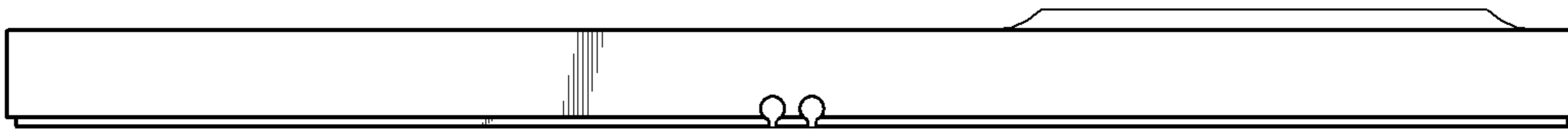


FIG. 4

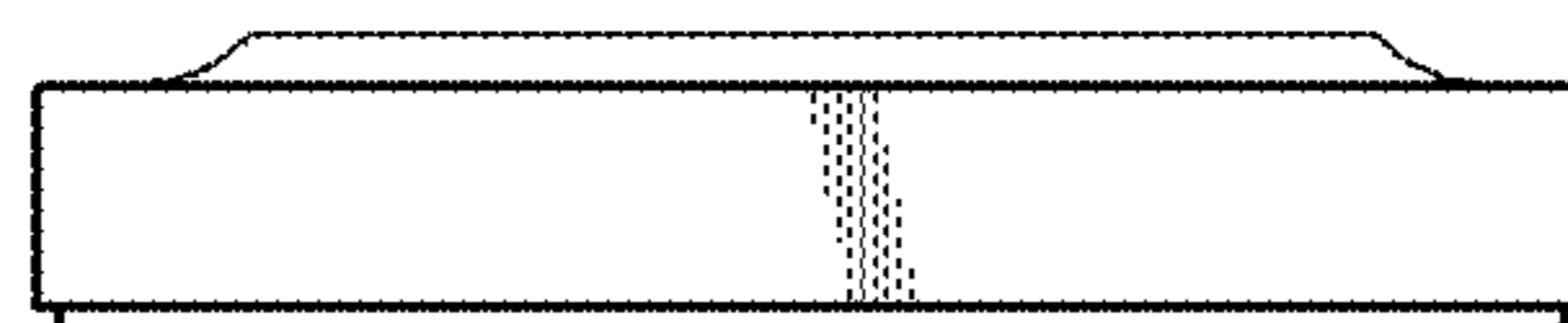


FIG. 5

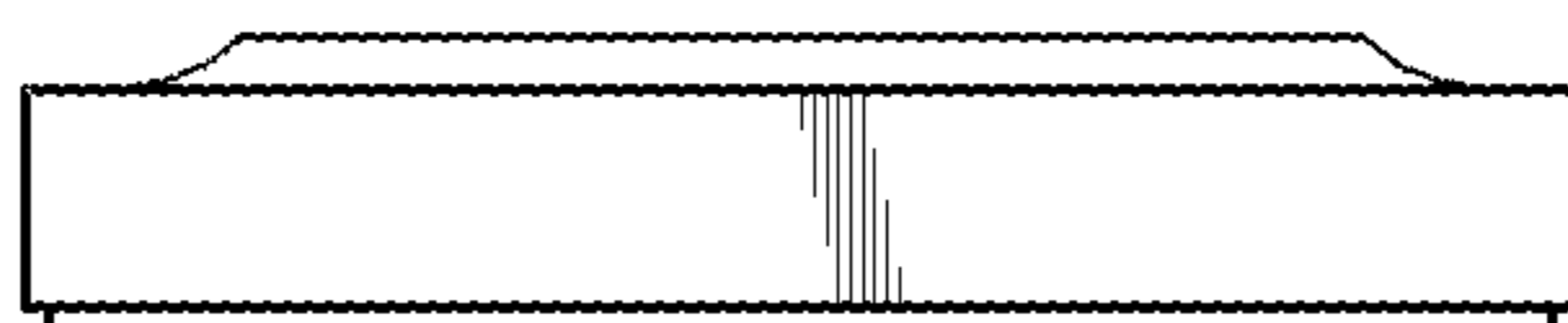


FIG. 6

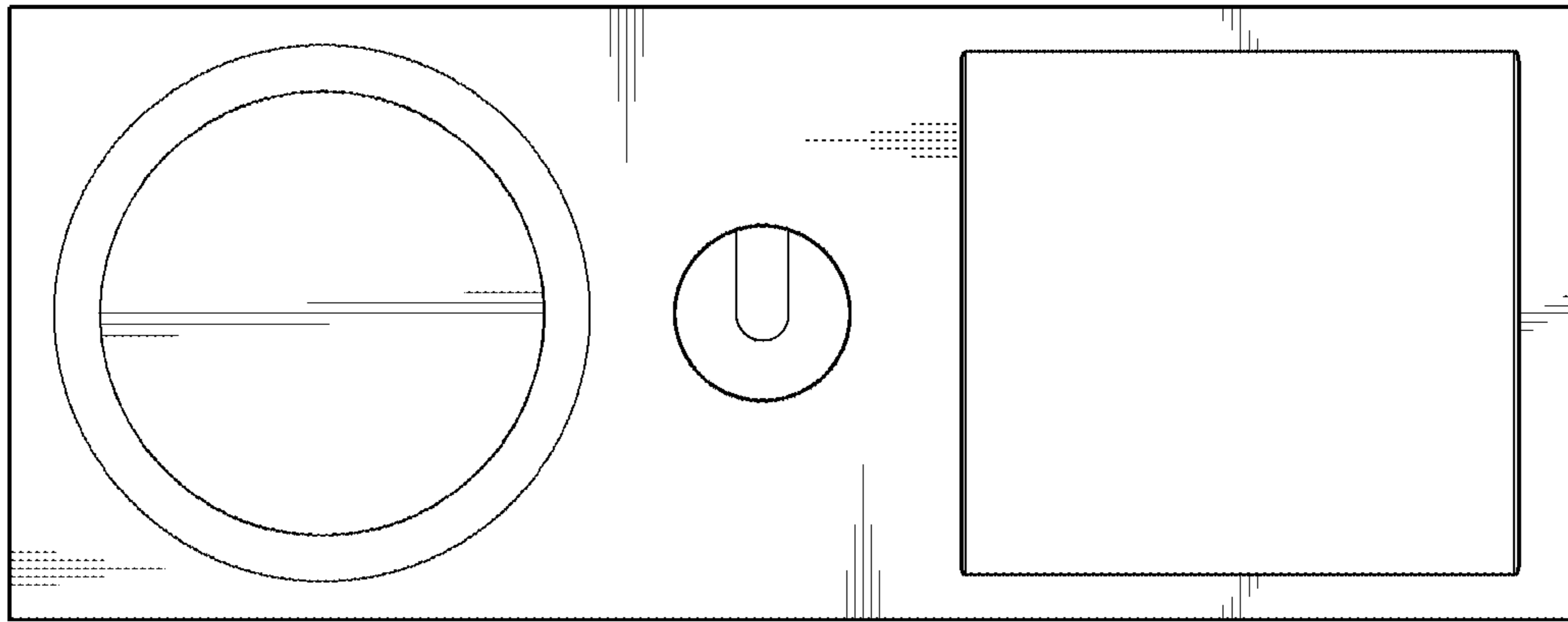


FIG. 7

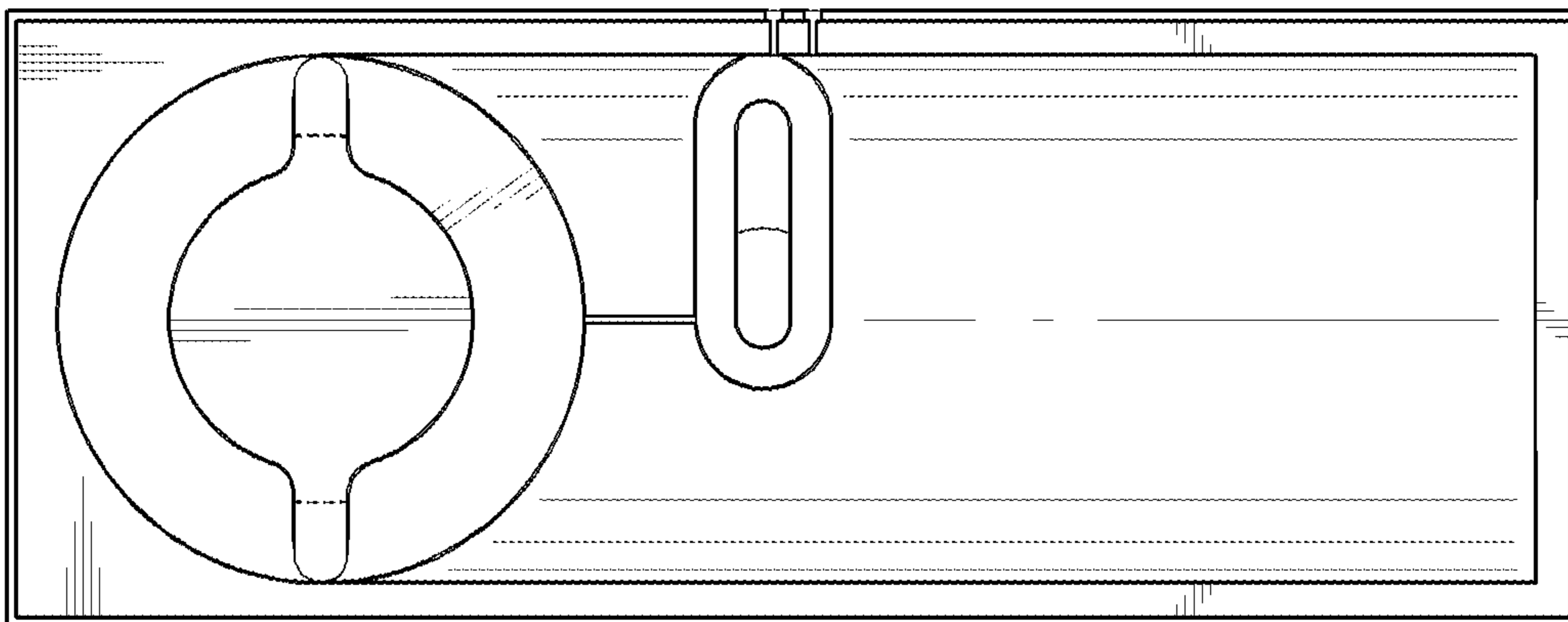


FIG. 8

