



US00D916694S

(12) **United States Design Patent** (10) **Patent No.:** **US D916,694 S**  
**Xiao** (45) **Date of Patent:** **\*\* Apr. 20, 2021**

(54) **PHONE HOLDER**  
(71) Applicant: **Guanlin Xiao**, Guangdong (CN)  
(72) Inventor: **Guanlin Xiao**, Guangdong (CN)  
(\*\*) Term: **15 Years**  
(21) Appl. No.: **29/757,356**  
(22) Filed: **Nov. 5, 2020**

D773,449 S 12/2016 Mellano et al.  
D800,106 S \* 10/2017 Godycki ..... D14/250  
D802,303 S 11/2017 Eure, Jr.  
10,001,153 B1 \* 6/2018 Fan ..... F16M 11/041  
D849,750 S \* 5/2019 Armstrong ..... D14/440  
D870,095 S \* 12/2019 Hu ..... D14/253  
D897,328 S \* 9/2020 Eulette ..... D14/250  
2008/0110946 A1 \* 5/2008 Dixon ..... B60R 11/0241  
224/197  
2012/0234055 A1 \* 9/2012 Bland, III ..... E05B 73/0082  
70/15  
2013/0105644 A1 \* 5/2013 Yu ..... F16M 13/022  
248/125.7  
2017/0120980 A1 \* 5/2017 Karl ..... B62J 11/00

**Related U.S. Application Data**

(62) Division of application No. 29/740,575, filed on Jul. 6, 2020, now Pat. No. Des. 910,612.  
(51) **LOC (13) Cl.** ..... **14-03**  
(52) **U.S. Cl.**  
USPC ..... **D14/253**  
(58) **Field of Classification Search**  
USPC ..... D14/251–253, 447, 452, 432–434, 440;  
D12/415; D3/218; D8/349, 363  
CPC ..... H04M 1/02; H04M 1/04; B60R 11/02;  
F16M 11/00; F16M 11/04; F16M 11/06  
See application file for complete search history.

\* cited by examiner

*Primary Examiner* — Janice Hallmark  
(74) *Attorney, Agent, or Firm* — ScienBiziP, P.C.

(57) **CLAIM**

The ornamental design for a phone holder, as shown and described.

**DESCRIPTION**

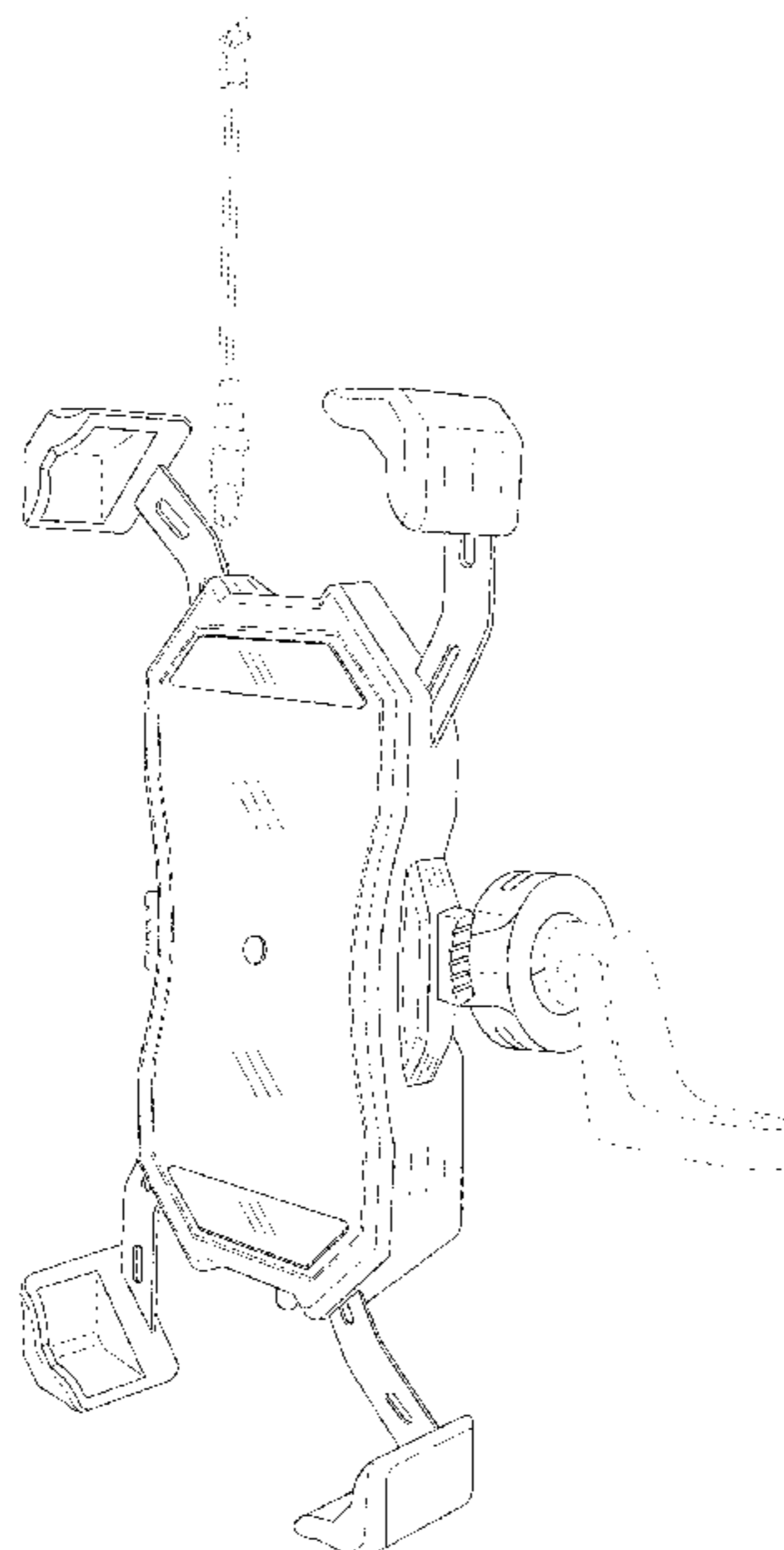
FIG. 1 is a front and right perspective view of a phone holder, showing my design.  
FIG. 2 is a front elevation view thereof.  
FIG. 3 is a rear elevation view thereof.  
FIG. 4 is a left side elevation thereof.  
FIG. 5 is a right side elevation thereof.  
FIG. 6 is a top plan view thereof; and,  
FIG. 7 is a bottom plan view thereof.  
The broken lines depict environmental subject matter. Additionally, the broken lines immediately adjacent to claimed subject matter also define the bounds of the claim. All broken lines form no part of the claimed design.

(56) **References Cited**

**U.S. PATENT DOCUMENTS**

D560,068 S \* 1/2008 Dixon ..... A45F 5/02  
D3/218  
D592,188 S \* 5/2009 Huang ..... D14/217  
D637,593 S \* 5/2011 Zanetti ..... D14/253  
D640,707 S \* 6/2011 Yeh ..... D14/447  
D669,890 S \* 10/2012 Hopkins ..... D14/251  
D673,960 S \* 1/2013 Lindfield ..... D14/447  
D686,629 S \* 7/2013 Trinh ..... D14/447  
D719,951 S \* 12/2014 Fenton ..... D14/253  
9,297,495 B2 \* 3/2016 Fischer ..... F16M 13/00  
D764,478 S \* 8/2016 Radmard ..... H04B 1/3888  
D14/440  
D769,852 S \* 10/2016 Godycki ..... D14/250

**1 Claim, 7 Drawing Sheets**



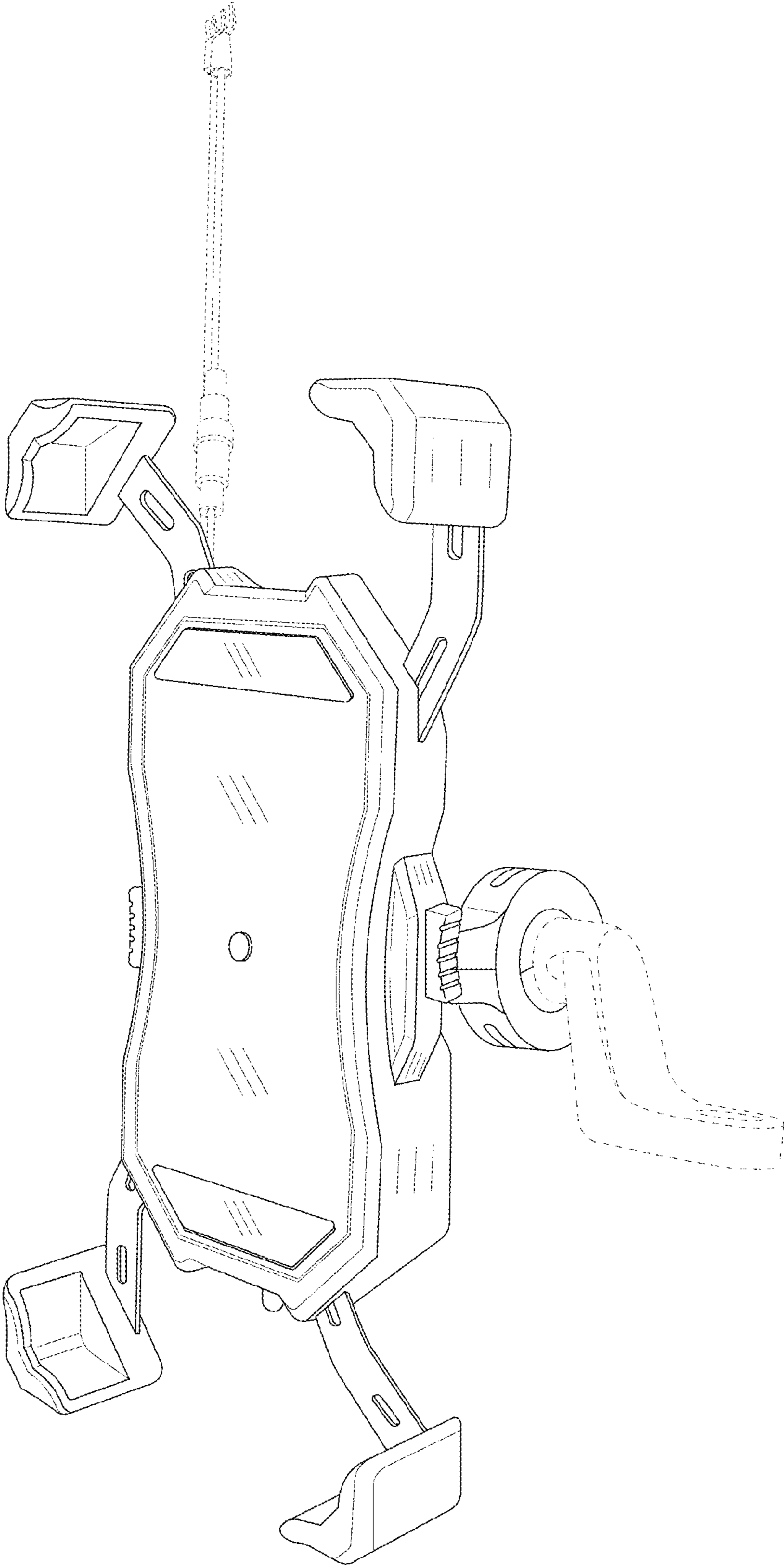


FIG.1

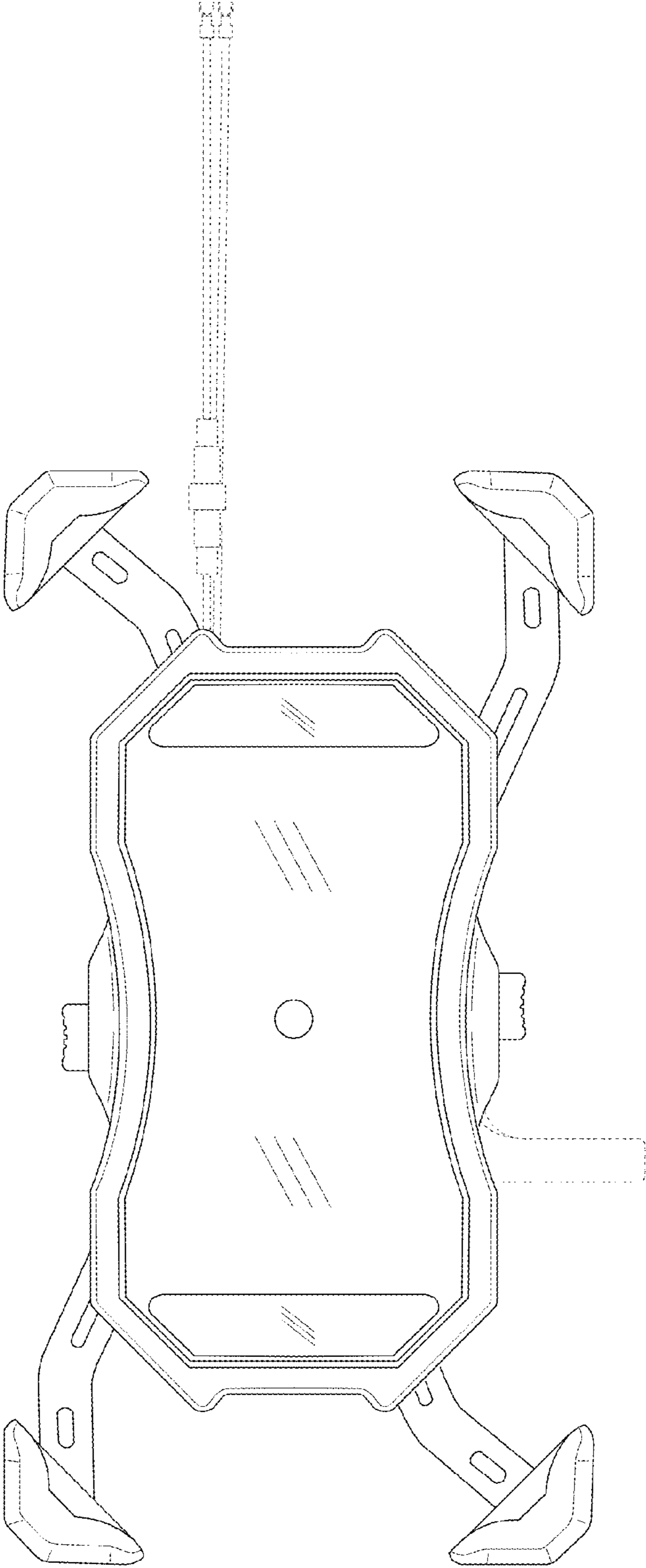


FIG.2

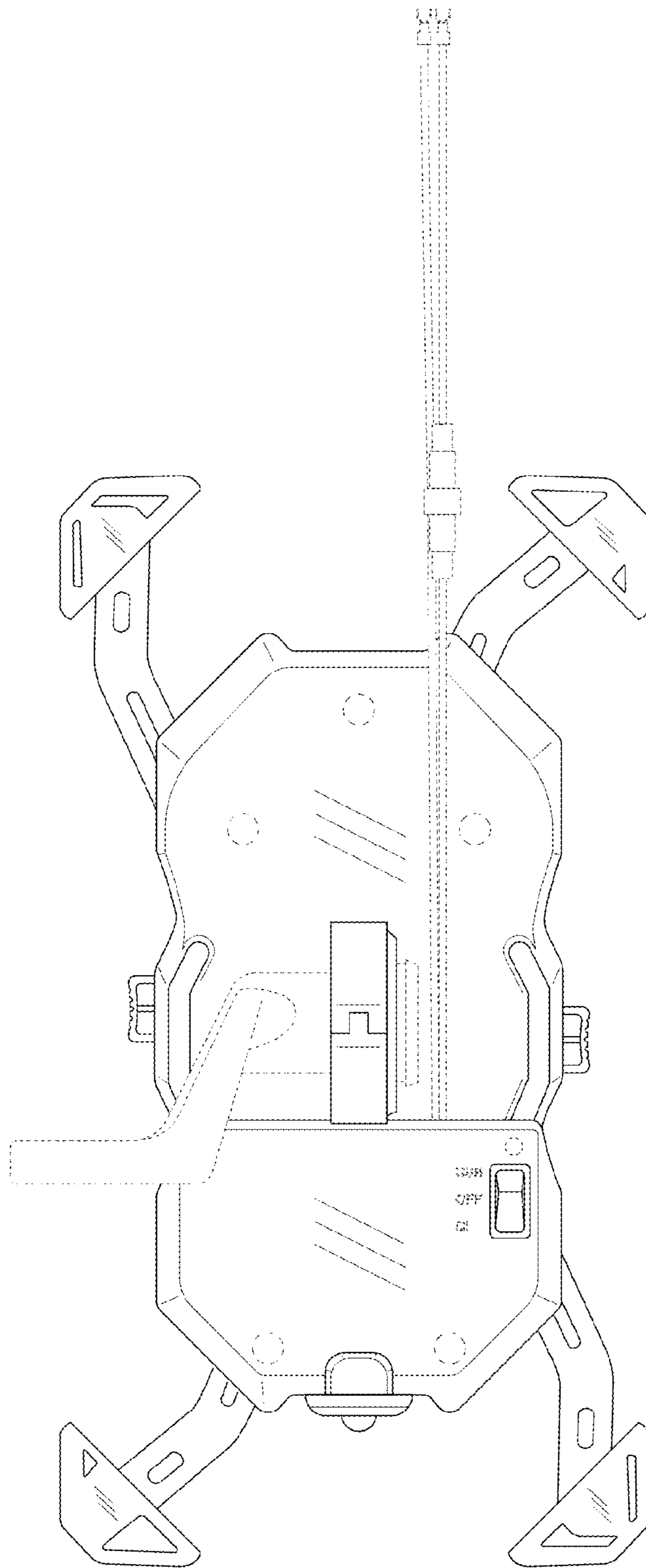


FIG.3

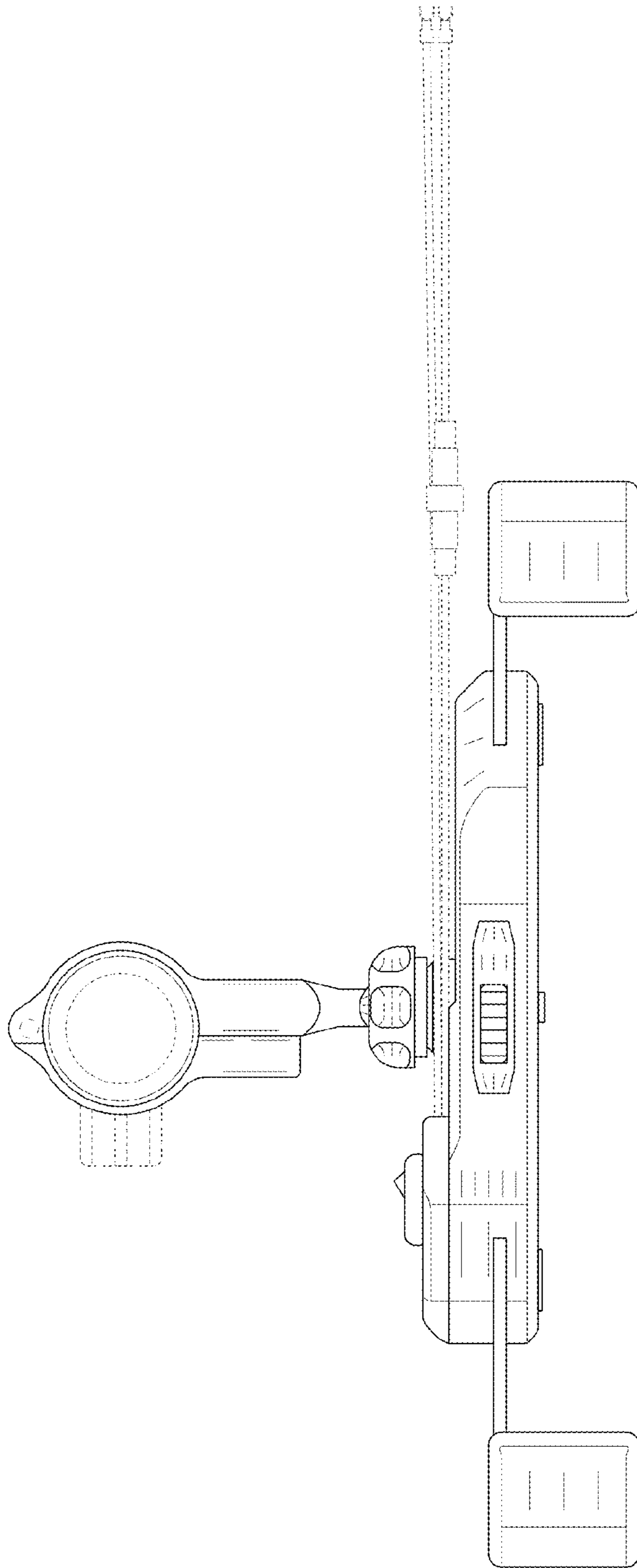


FIG.4

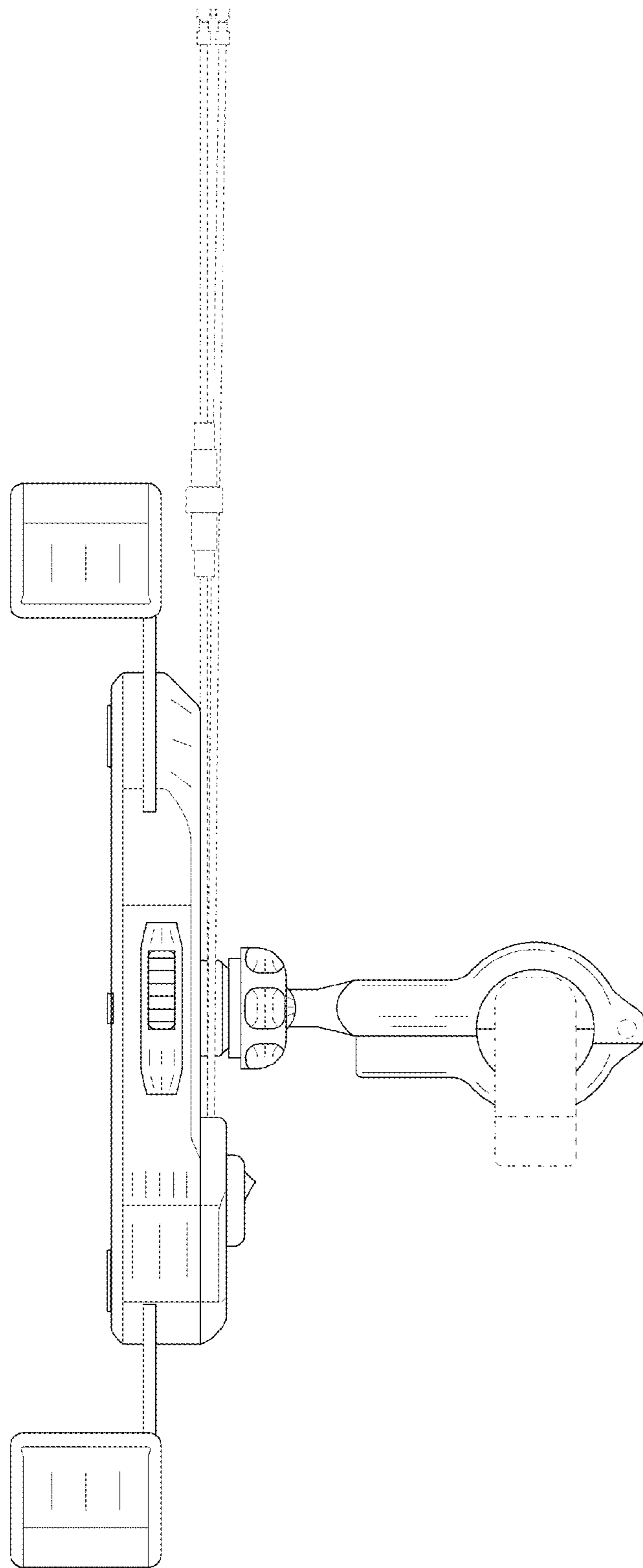


FIG.5



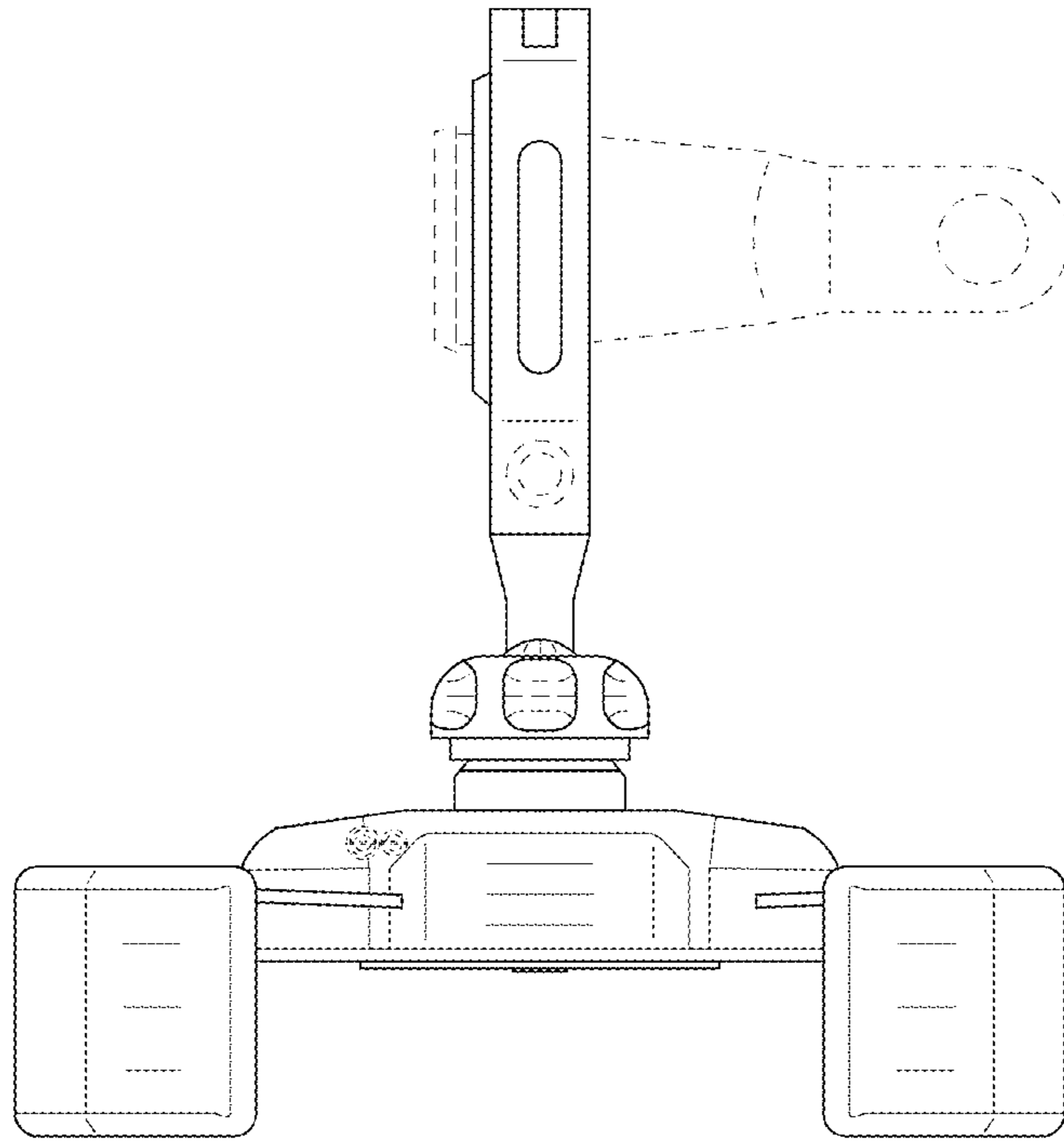


FIG.6

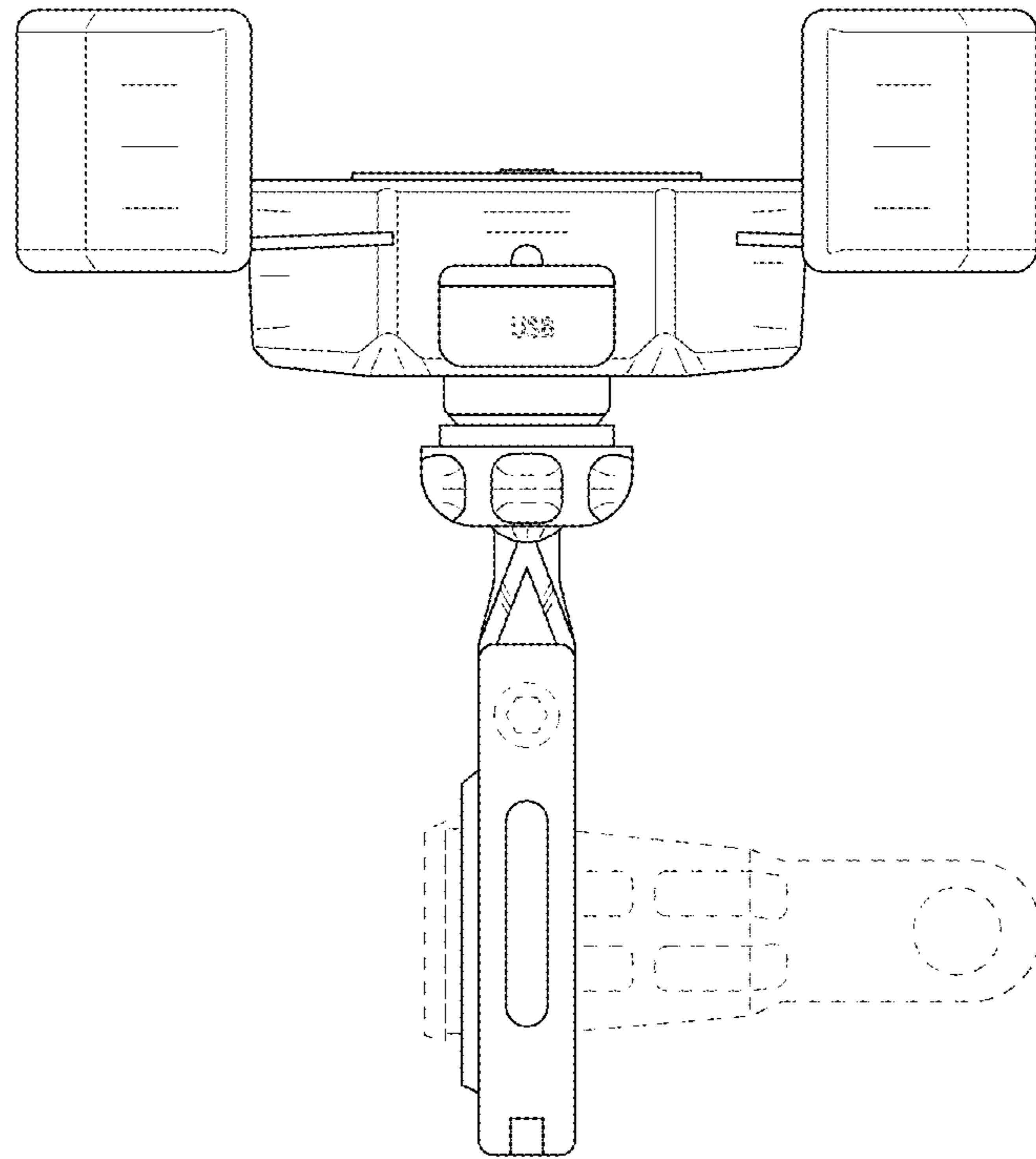


FIG.7