



US00D916690S

(12) **United States Design Patent** (10) **Patent No.:** **US D916,690 S**  
**Kuroda** (45) **Date of Patent:** **\*\* Apr. 20, 2021**

(54) **STAND FOR MONITOR**

A47B 88/044; A47B 2021/0335; H02G 3/126; F16B 47/00; F16B 47/006; A47G 1/17; A47K 2201/00

(71) Applicant: **Tetsuji Kuroda**, Yokohama (JP)

See application file for complete search history.

(72) Inventor: **Tetsuji Kuroda**, Yokohama (JP)

(73) Assignee: **Ricoh Company, Ltd.**, Tokyo (JP)

(56) **References Cited**

(\*\*) Term: **15 Years**

U.S. PATENT DOCUMENTS

(21) Appl. No.: **29/726,642**

D192,792	S	*	5/1962	Morris	.....	D34/21
3,046,667	A	*	7/1962	Martineau	.....	B21D 37/142 33/551
D247,169	S	*	2/1978	Sheeley	.....	D34/21
7,290,777	B2	*	11/2007	Preston	.....	B62B 3/10 211/187
D742,863	S	*	11/2015	Aoyagi	.....	D14/239
D809,324	S	*	2/2018	Robins	.....	D6/675.4
D809,733	S	*	2/2018	Newgent	.....	D34/31
D819,374	S	*	6/2018	Kuehn	.....	D6/681.2

(22) Filed: **Mar. 4, 2020**

(30) **Foreign Application Priority Data**

Nov. 29, 2019 (JP) ..... 2019-026582

(Continued)

(51) **LOC (13) Cl.** ..... **14-03**

*Primary Examiner* — Katie Jane Stofko

(52) **U.S. Cl.**

(74) *Attorney, Agent, or Firm* — Oblon, McClelland, Maier & Neustadt, L.L.P.

USPC ..... **D14/239**

(58) **Field of Classification Search**

(57) **CLAIM**

USPC ..... D14/371-382, 125-129, 336, 337, D14/447-452, 492, 335, 239, 457, D14/439-441, 432, 251-253; D8/349, D8/354, 363, 373, 376, 380; D21/333; D12/415; D3/218; 348/180, 184, 325, 348/739, 825

The ornamental design for a stand for monitor, as shown and described.

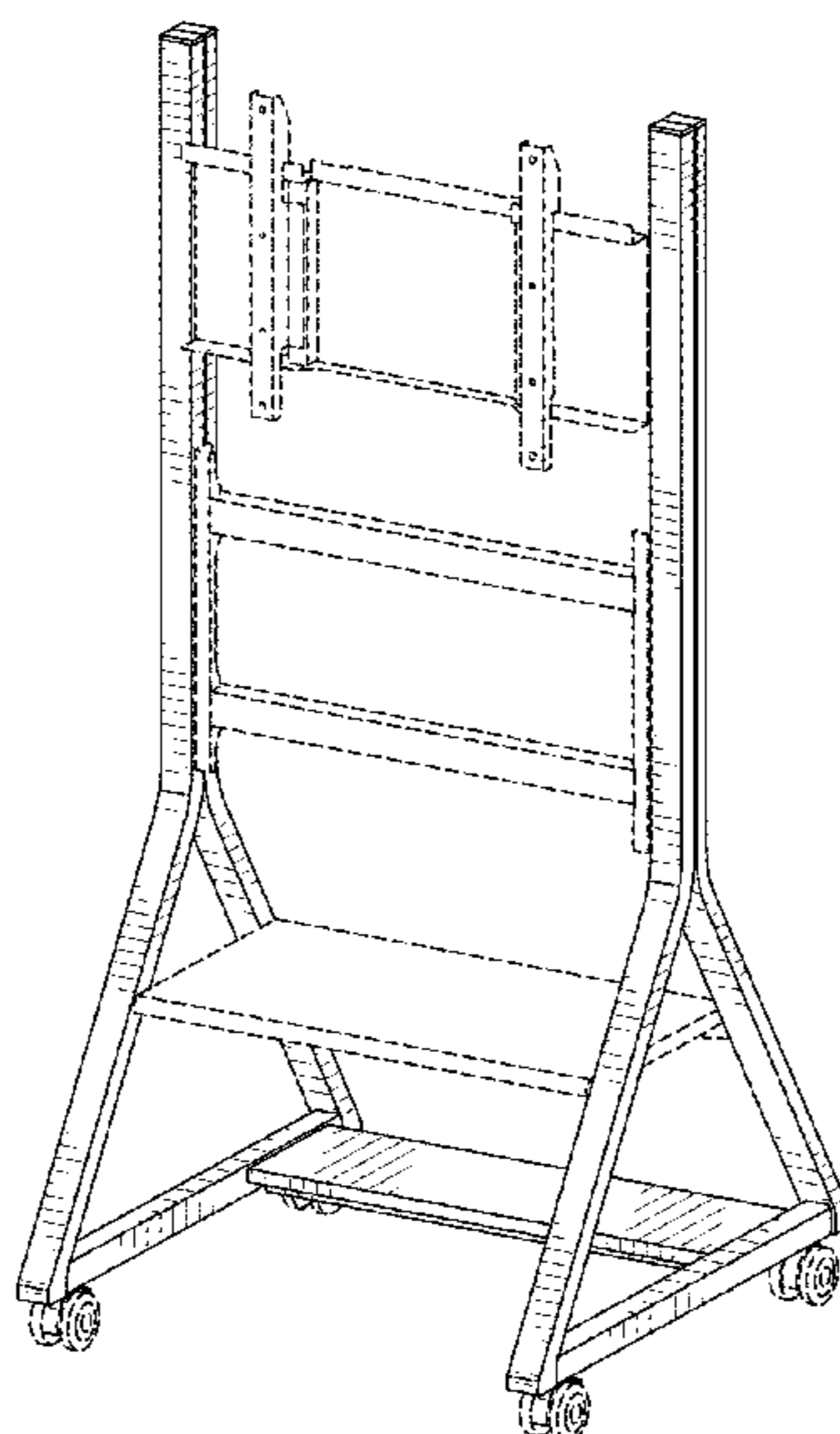
**DESCRIPTION**

CPC ..... G06F 3/0412; G06F 3/016; G06F 3/0488; G06F 3/011; G06F 3/038; G06F 3/03543; G06F 3/0338; G06F 3/0202; G06F 3/0219; G06F 3/0213; G06F 1/1616; G06F 3/023; G06F 3/04883; G02F 1/13338; G02F 1/1313; G02F 1/1333; G02F 1/135; G02F 1/132; G02F 1/133308; G02F 1/134309; G02F 1/13718; G09G 3/3648; G06K 15/1252; B41J 2/465; G03F 7/70291; G02B 27/0172; G02B 5/30; G02B 2027/0118; G02B 27/0101; F16M 13/02; F16M 13/00; F16M 11/10; F16M 11/04; F16M 2200/08; F16M 11/2021; A47B 21/0314;

FIG. 1 is a front, top, and right side perspective view of a stand for monitor;  
FIG. 2 is a rear, top, and left side perspective view thereof;  
FIG. 3 is a front elevational view thereof;  
FIG. 4 is a rear elevational view thereof,  
FIG. 5 is a top plan view thereof,  
FIG. 6 is a bottom plan view thereof, and,  
FIG. 7 is a right side elevational view thereof, the left side elevational view being a mirror image of the right side elevational view.

The broken lines shown in the figures are for the purpose of illustrating portions of the stand for a monitor that form no part of the claimed design.

**1 Claim, 6 Drawing Sheets**



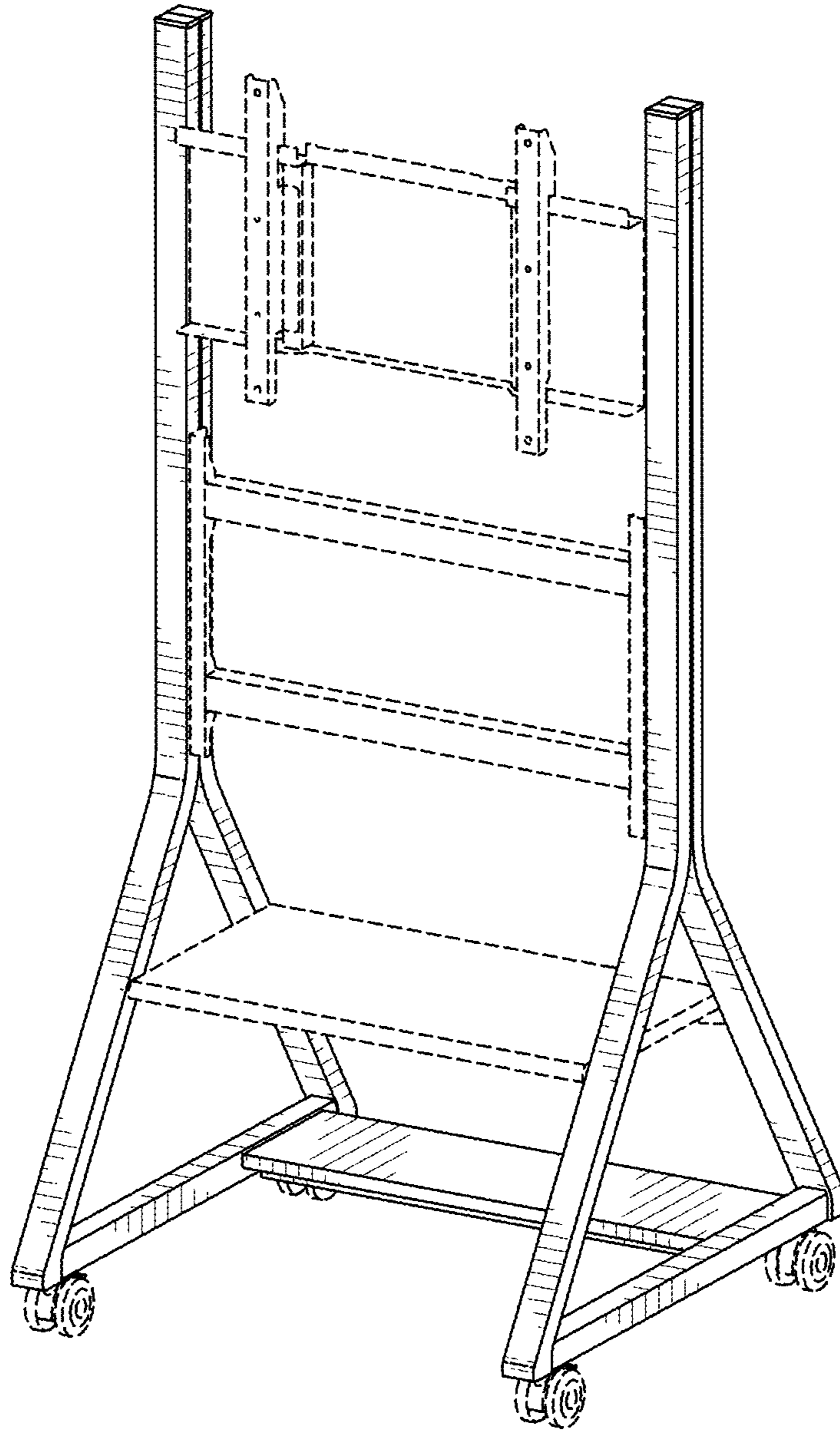
(56)

**References Cited**

U.S. PATENT DOCUMENTS

D820,818 S	*	6/2018	Heckler	.....	D14/239
D821,371 S	*	6/2018	Heckler	.....	D14/239
D822,109 S	*	7/2018	Avallon	.....	D19/114
D829,453 S	*	10/2018	Neri	.....	D6/343
D886,821 S	*	6/2020	Escolin	.....	D14/375

\* cited by examiner



**FIG. 1**

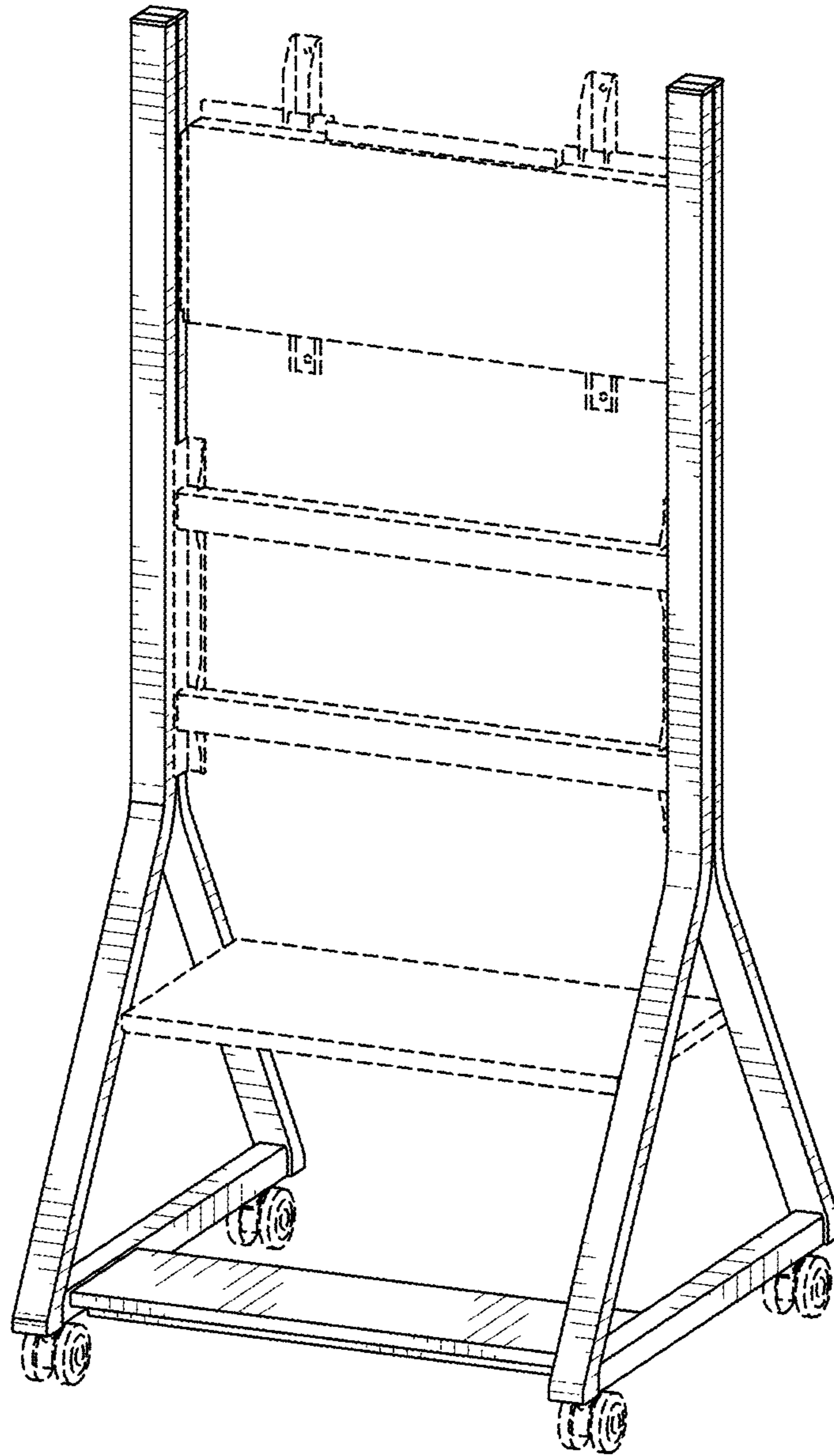


FIG. 2

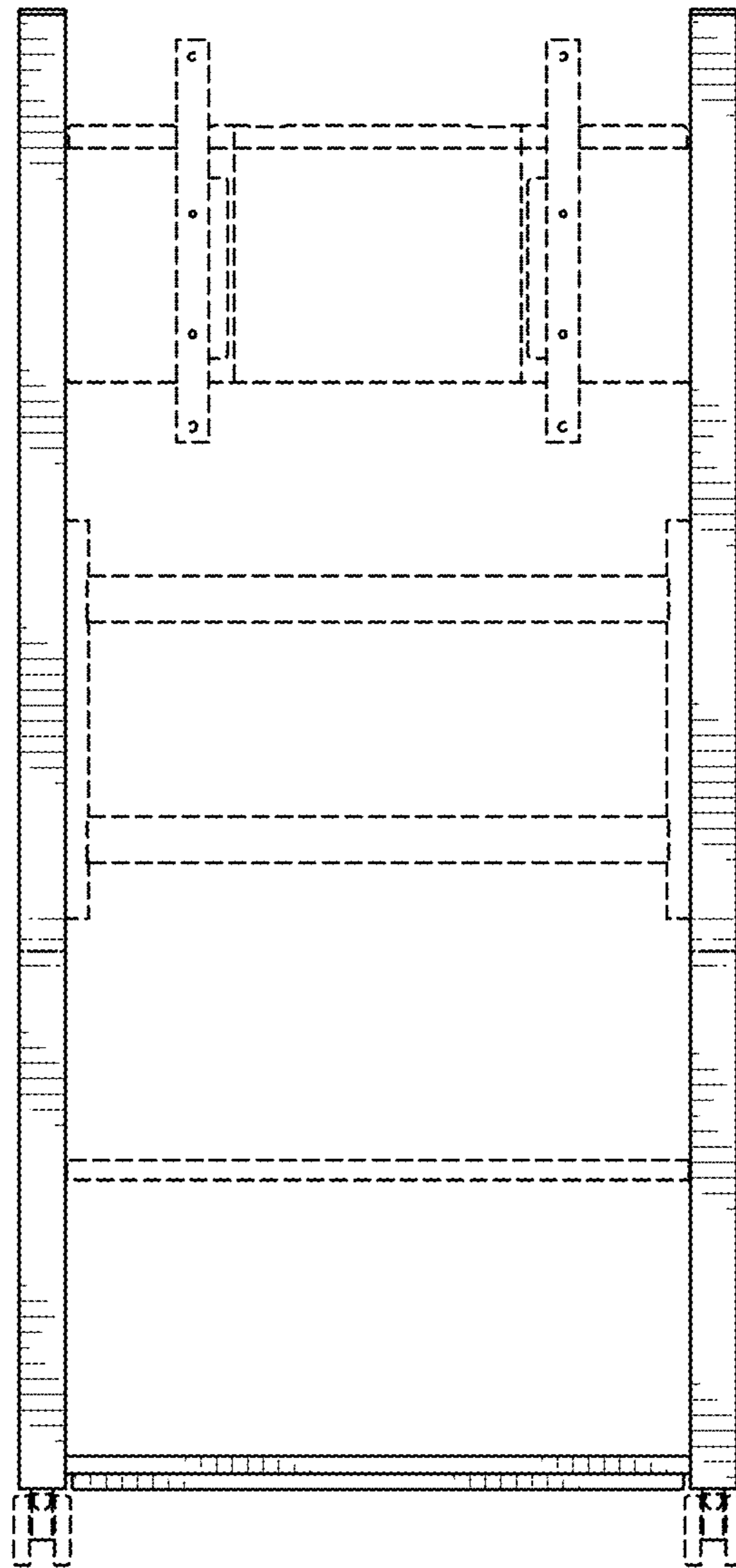


FIG. 3

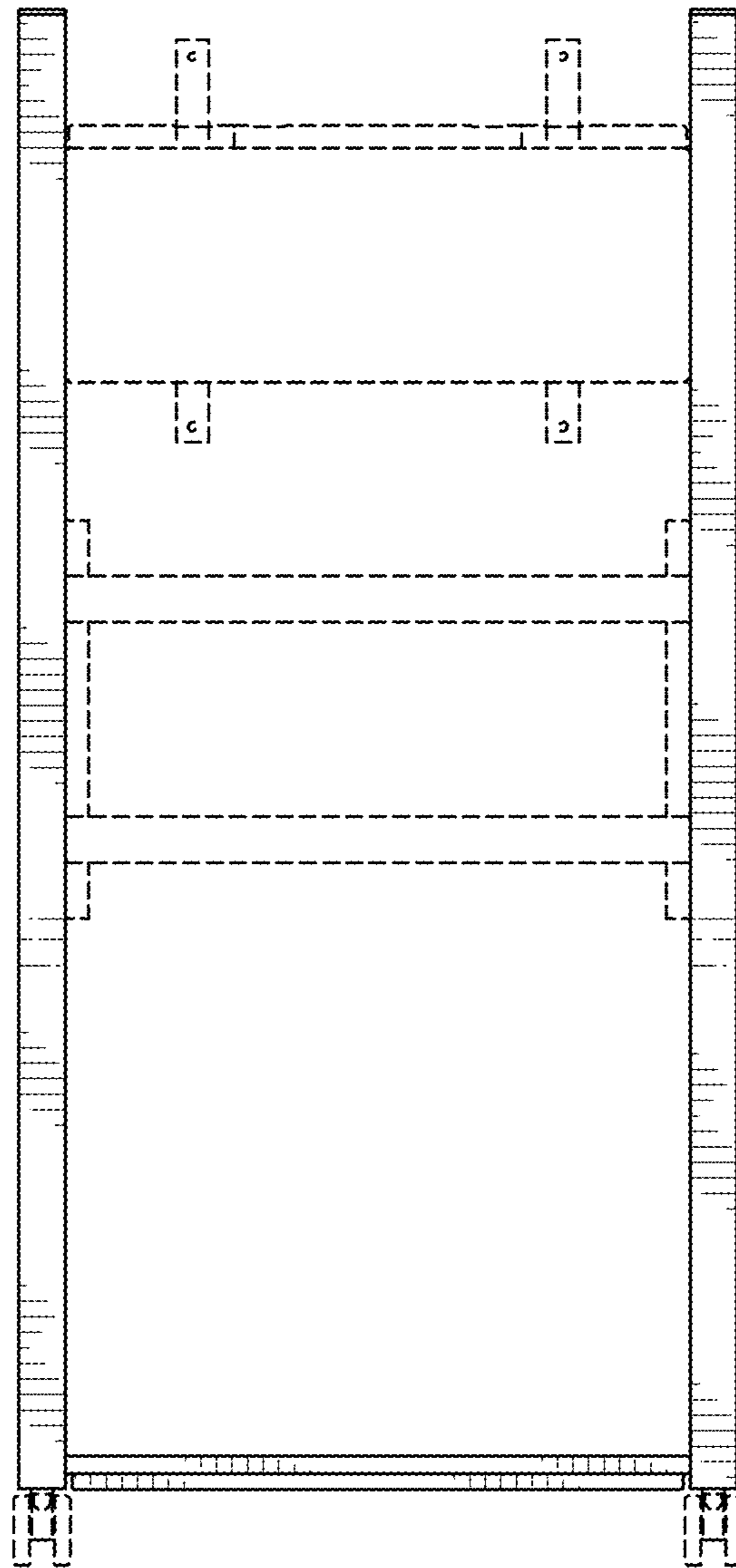


FIG. 4

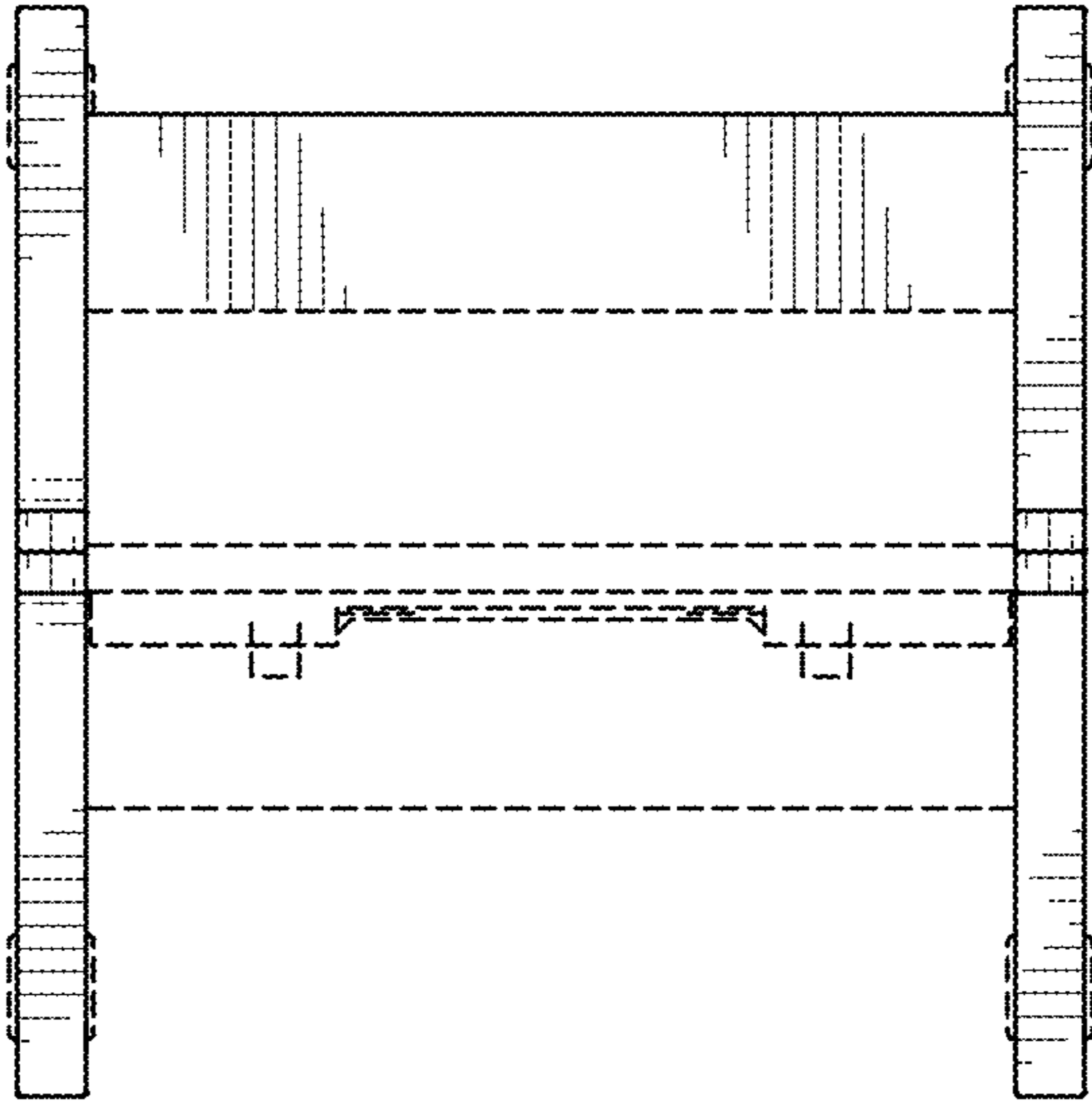


FIG. 5

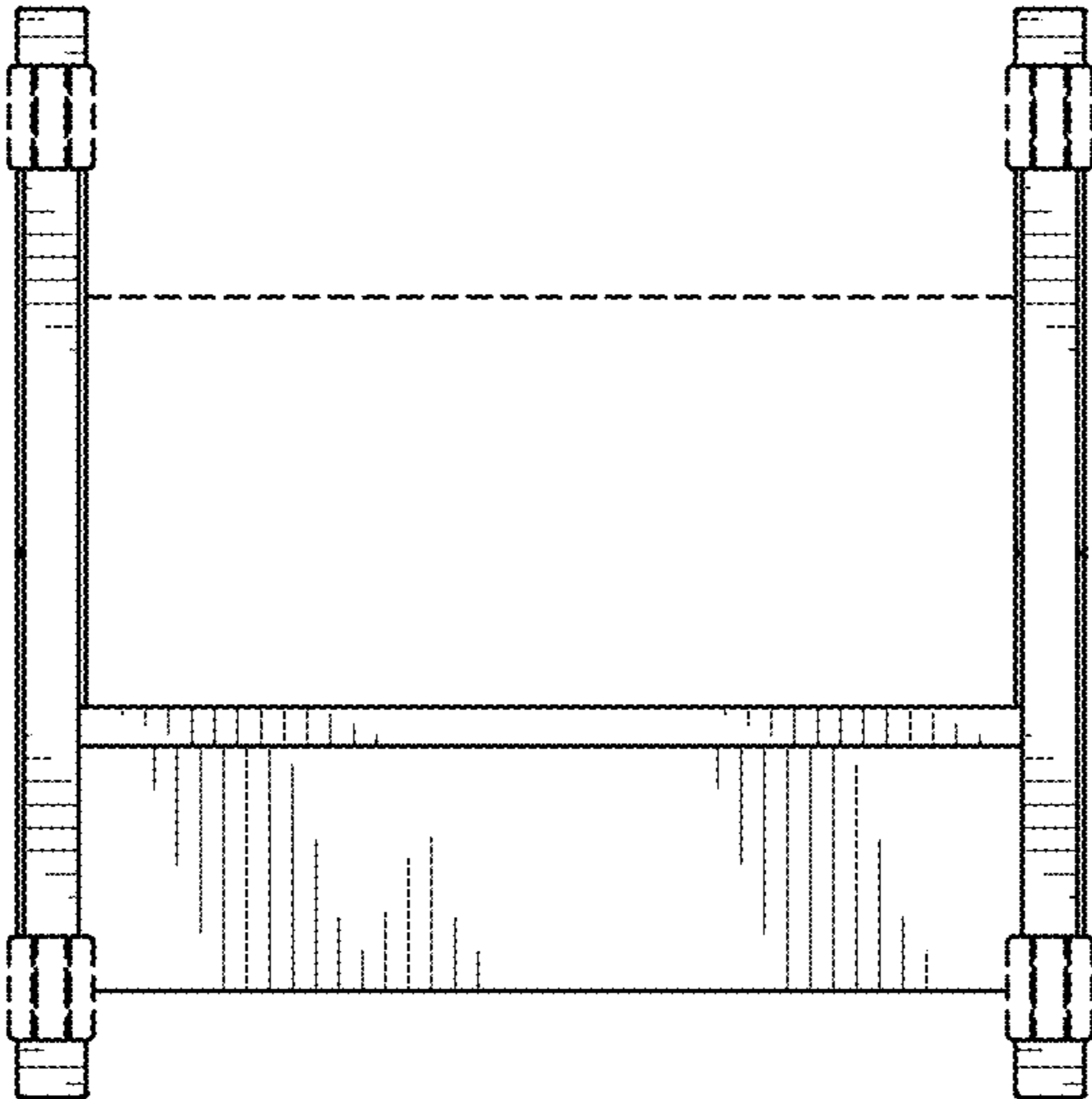
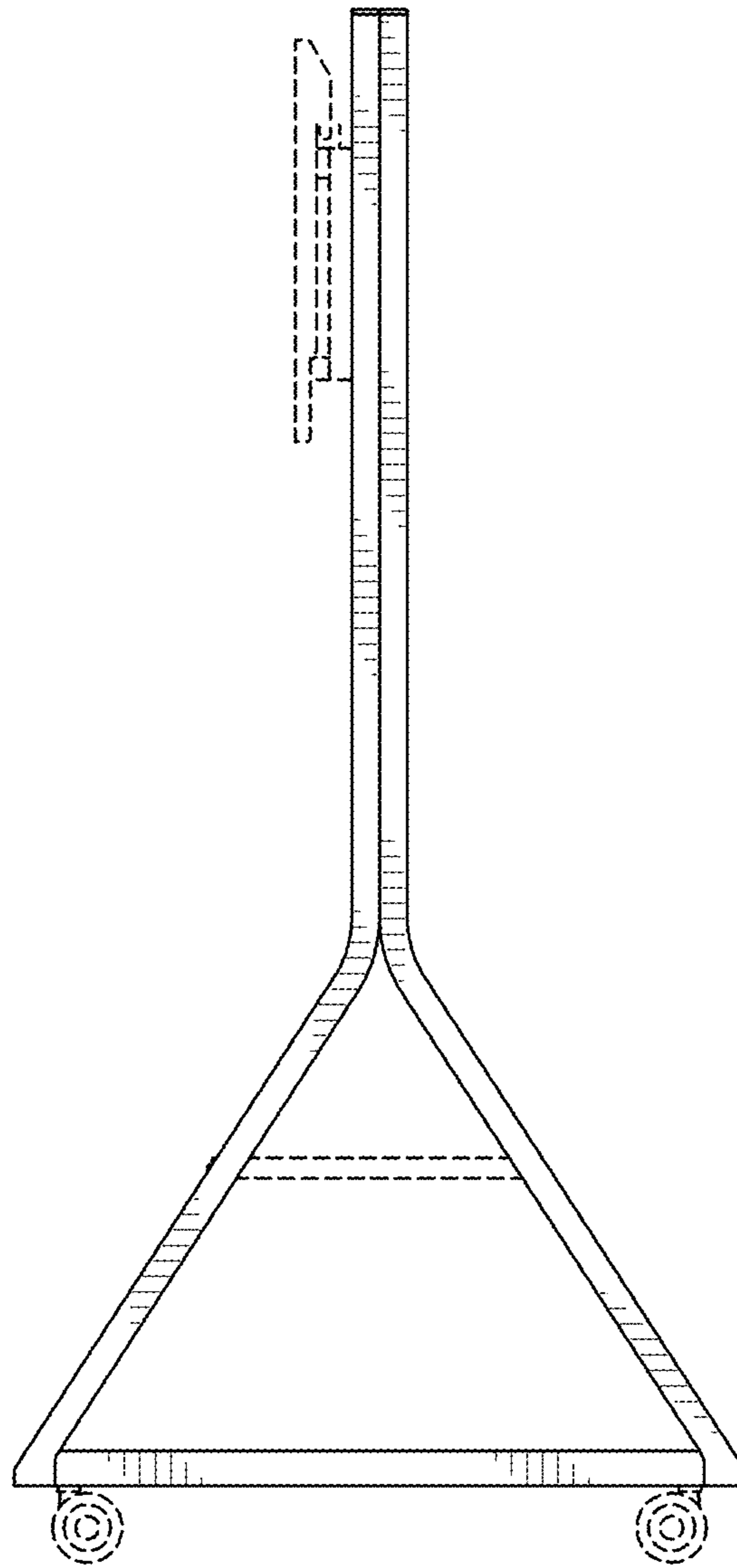


FIG. 6



*FIG. 7*