



US00D916689S

(12) **United States Design Patent** (10) **Patent No.:** **US D916,689 S**
Lyu (45) **Date of Patent:** **** Apr. 20, 2021**

(54) **MONITOR STAND**

(71) Applicant: **Yaqi Lyu**, Shenzen (CN)

(72) Inventor: **Yaqi Lyu**, Shenzen (CN)

(**) Term: **15 Years**

(21) Appl. No.: **29/712,146**

(22) Filed: **Nov. 5, 2019**

(51) **LOC (13) Cl.** **14-03**

(52) **U.S. Cl.**
USPC **D14/239**

(58) **Field of Classification Search**

USPC ... D14/451, 239, 217, 224, 230, 238, 238.1,
D14/448, 432, 300, 447, 336; D6/672;
D8/349, 363

CPC .. F16M 13/02; F16M 11/046; Y10S 248/923;
Y10S 248/917; Y10S 248/918; H05K
5/0017; H05K 5/0204

See application file for complete search history.

(56) **References Cited**

U.S. PATENT DOCUMENTS

D539,637 S *	4/2007	Ly Hau	D8/373
D712,691 S *	9/2014	Xiang	D6/678.1
D836,091 S *	12/2018	Shu	D14/239
D853,403 S *	7/2019	Lyu	D14/451
D877,743 S *	3/2020	Pei	D14/451
D880,462 S *	4/2020	Nakamura	D14/239
D894,196 S *	8/2020	Wu	D14/451
2007/0278362 A1	12/2007	Lee		
2016/0183768 A1	6/2016	Kan et al.		

FOREIGN PATENT DOCUMENTS

CN 201930436536.1 * 8/2019

OTHER PUBLICATIONS

PERLESMITH Universal Swivel TV Stand—Table Top TV Stand Base, first available Mar. 10, 2020, amazon.com, [online], [site

visited Nov. 16, 2020], Available from internet URL: <https://www.amazon.com/PERLESMITH-Universal-Adjustable-Heavy-Duty-600x400mm/dp/B085Q5PXL8> (Year: 2020).*

Wooden Base TV Stand—Universal Tabletop TV Stand, first available Mar. 10, 2020, amazon.com, [online], [site visited Nov. 16, 2020], Available from internet URL: <https://www.amazon.co.uk/Rentliv-Universal-Stand-Adjustable-Management-Black/dp/B07Z98SM7T> (Year: 2020).*

* cited by examiner

Primary Examiner — Samantha Q Lawrence

Assistant Examiner — Holly M Rodriguez

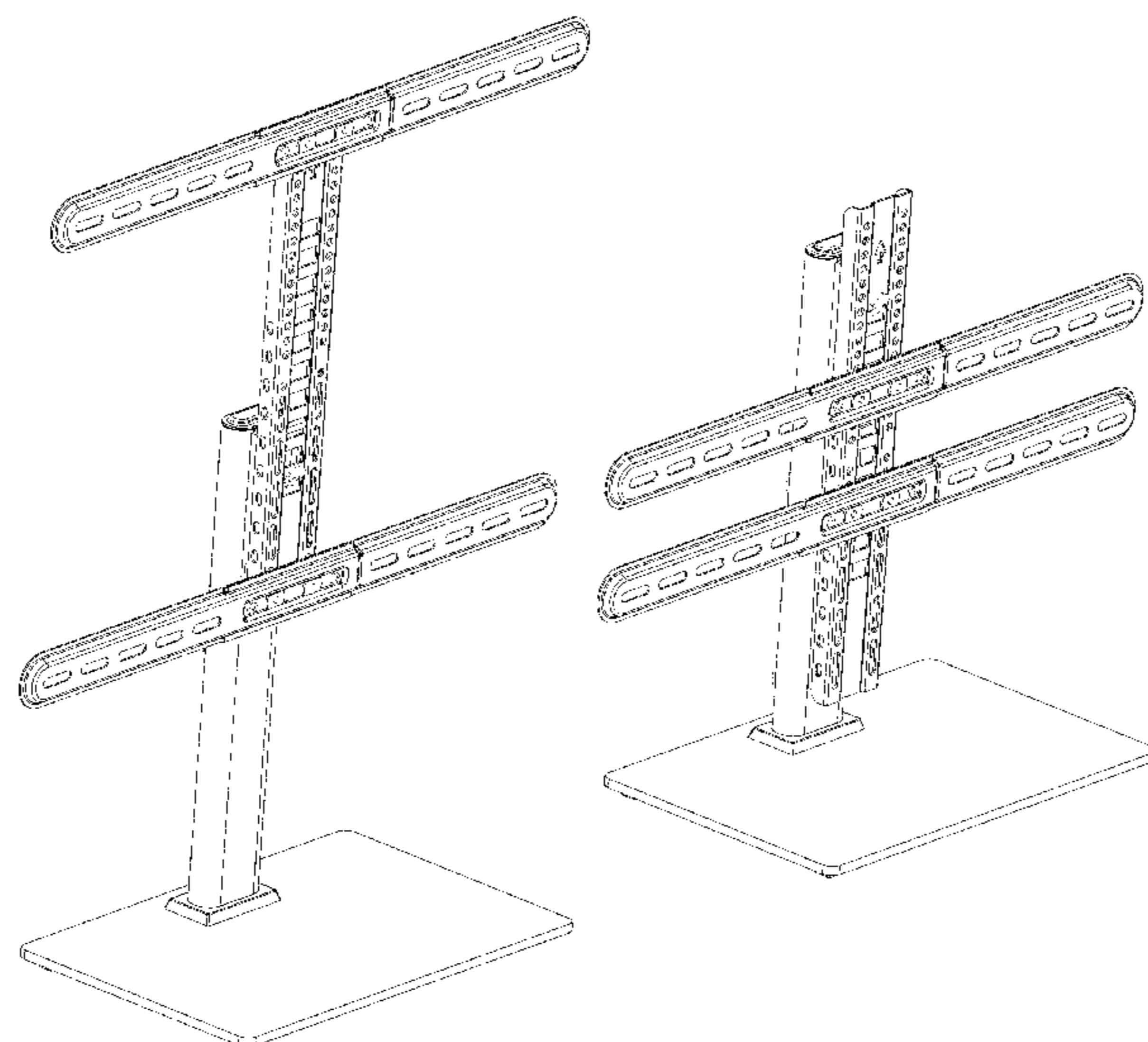
(57) **CLAIM**

The ornamental design for a monitor stand, as shown and described.

DESCRIPTION

FIG. 1 is a perspective view of a monitor stand in a first position of use showing my new design;
FIG. 2 is a perspective view of the monitor stand in a second position of use;
FIG. 3 is another perspective view of the monitor stand in a third position of use;
FIG. 4 is a front elevational view of the monitor stand in the first position of uses;
FIG. 5 is a rear elevational view thereof;
FIG. 6 is a left side elevational view thereof;
FIG. 7 is a right side elevational view thereof;
FIG. 8 is a top plan view thereof; and,
FIG. 9 is a bottom plan view thereof.
The broken lines in the drawings depict portions of the monitor stand that form no part of the claimed design.

1 Claim, 9 Drawing Sheets



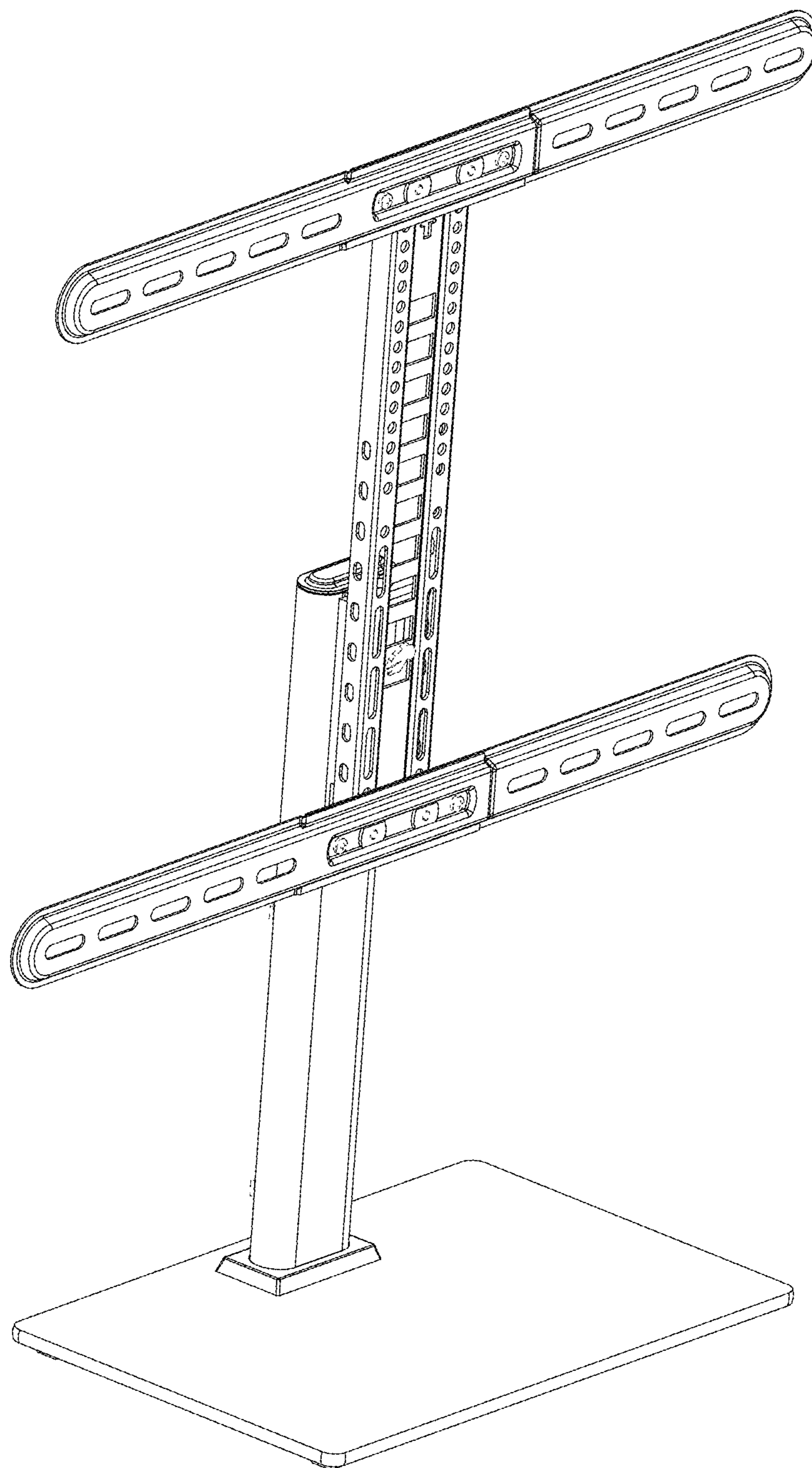


FIG. 1

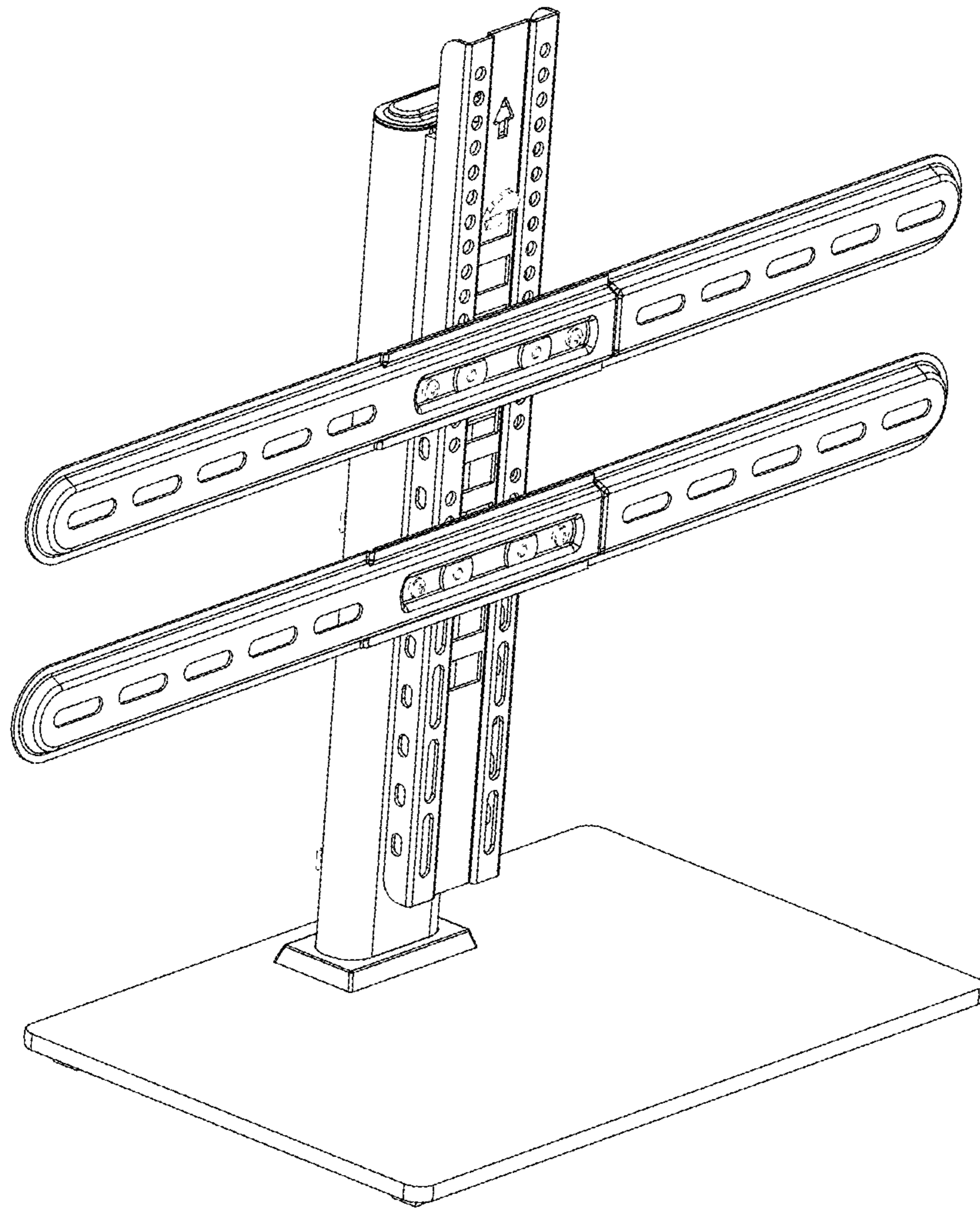


FIG. 2

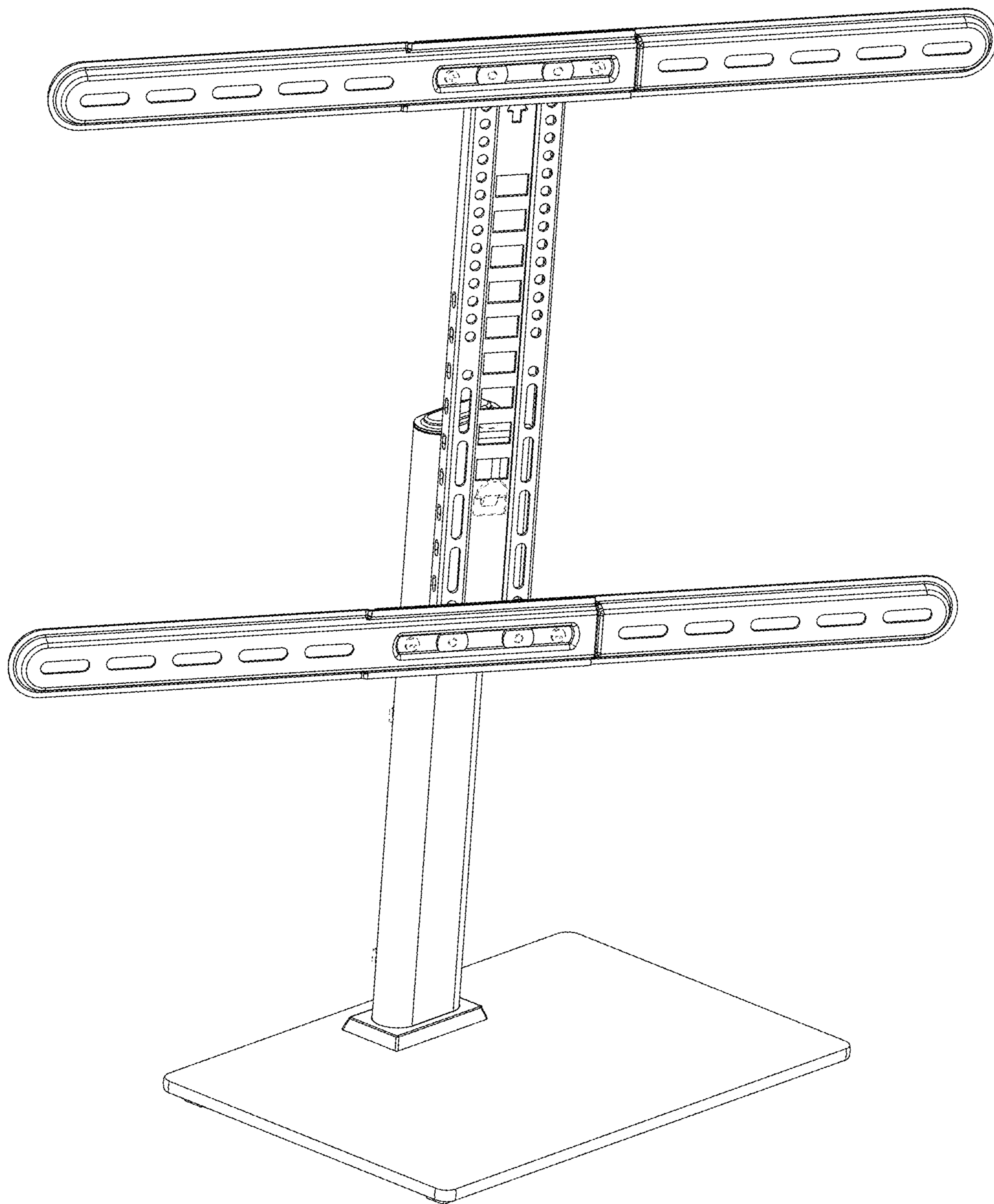


FIG. 3

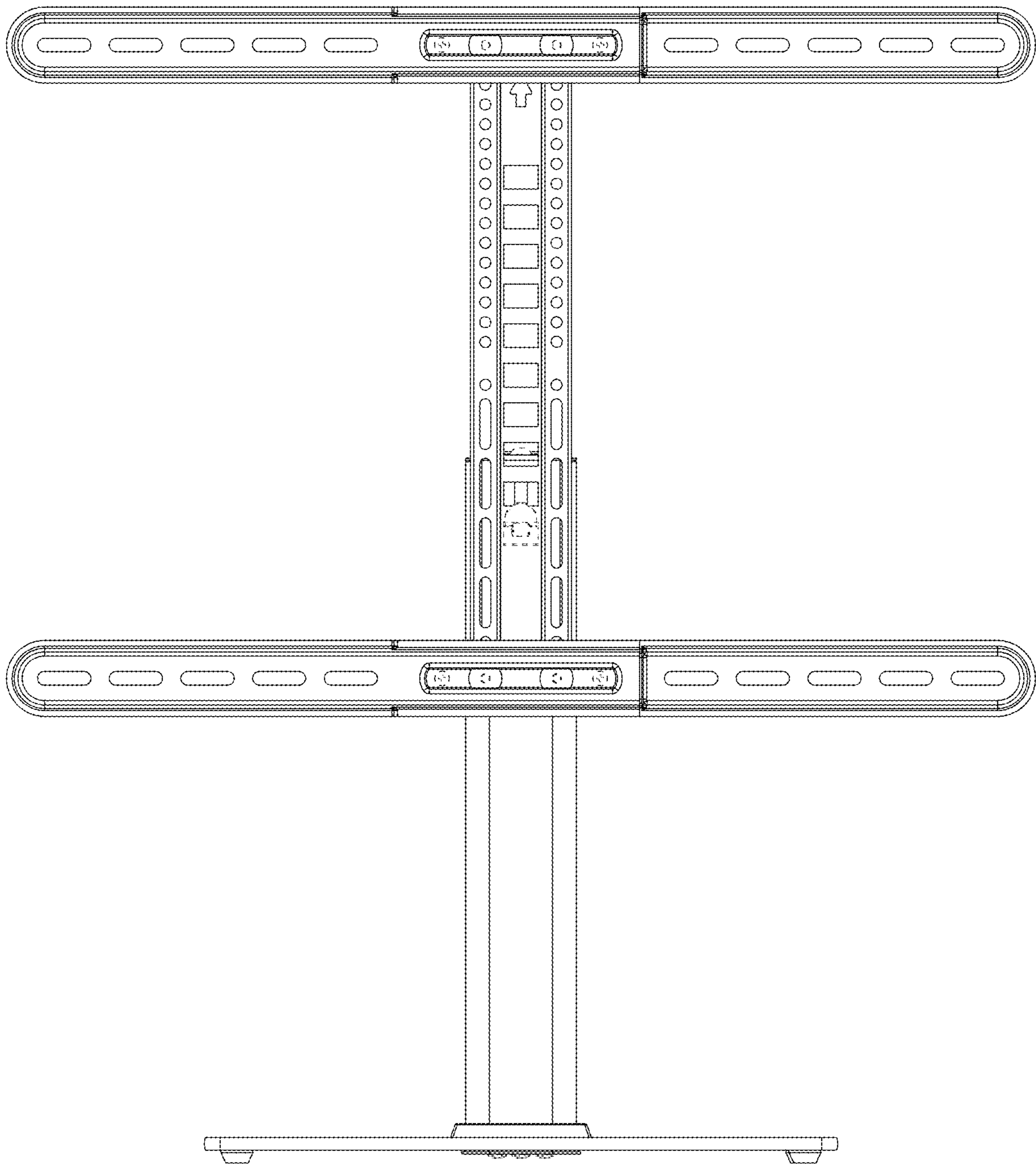


FIG. 4

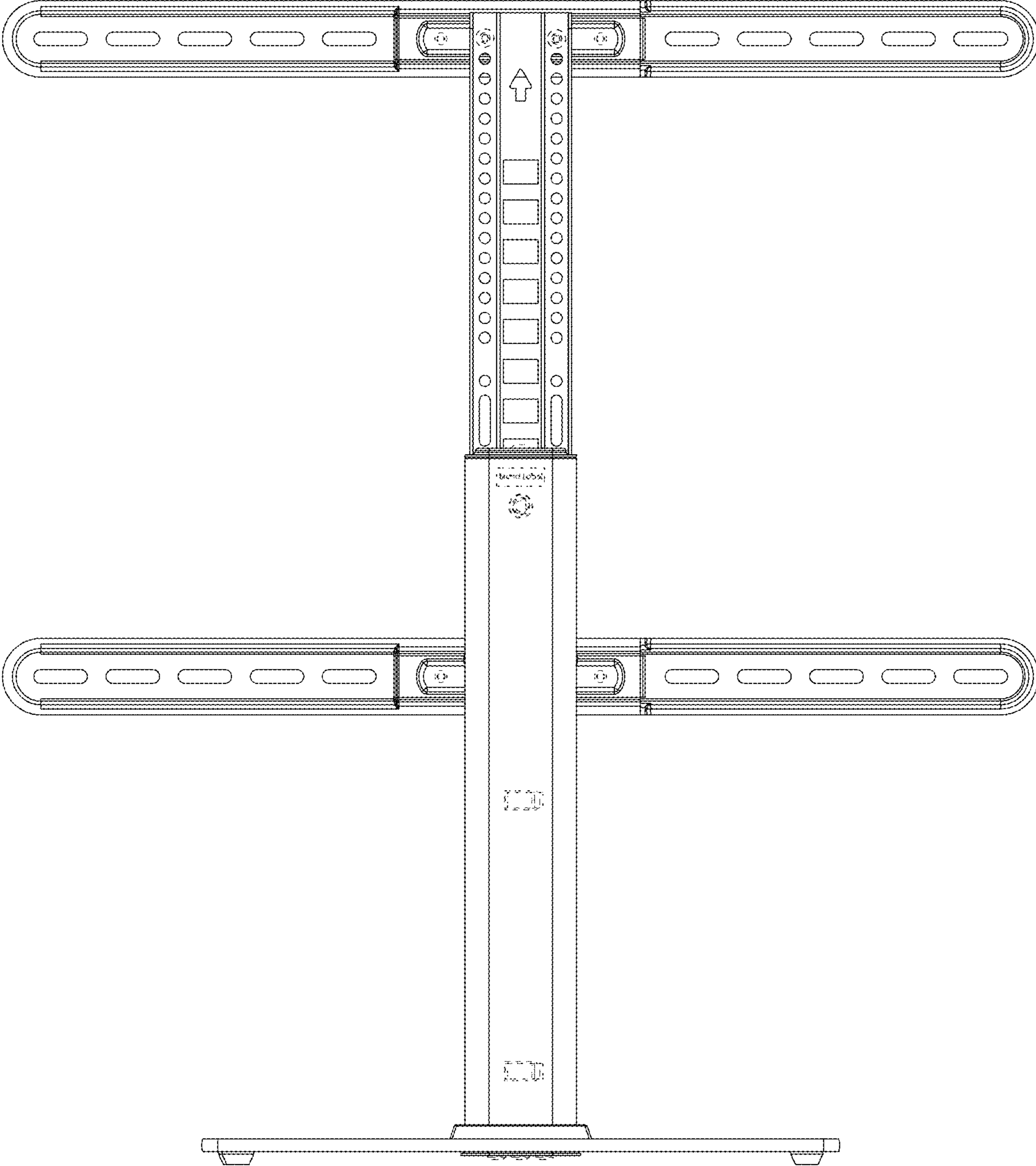


FIG. 5

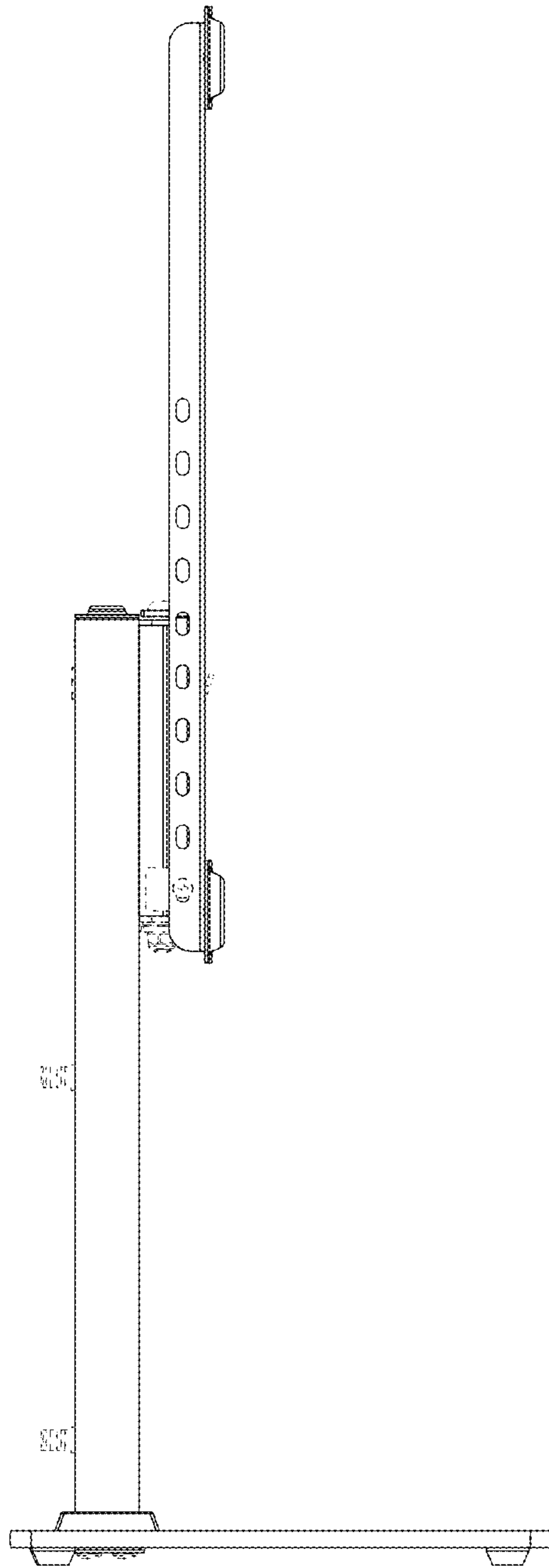


FIG. 6

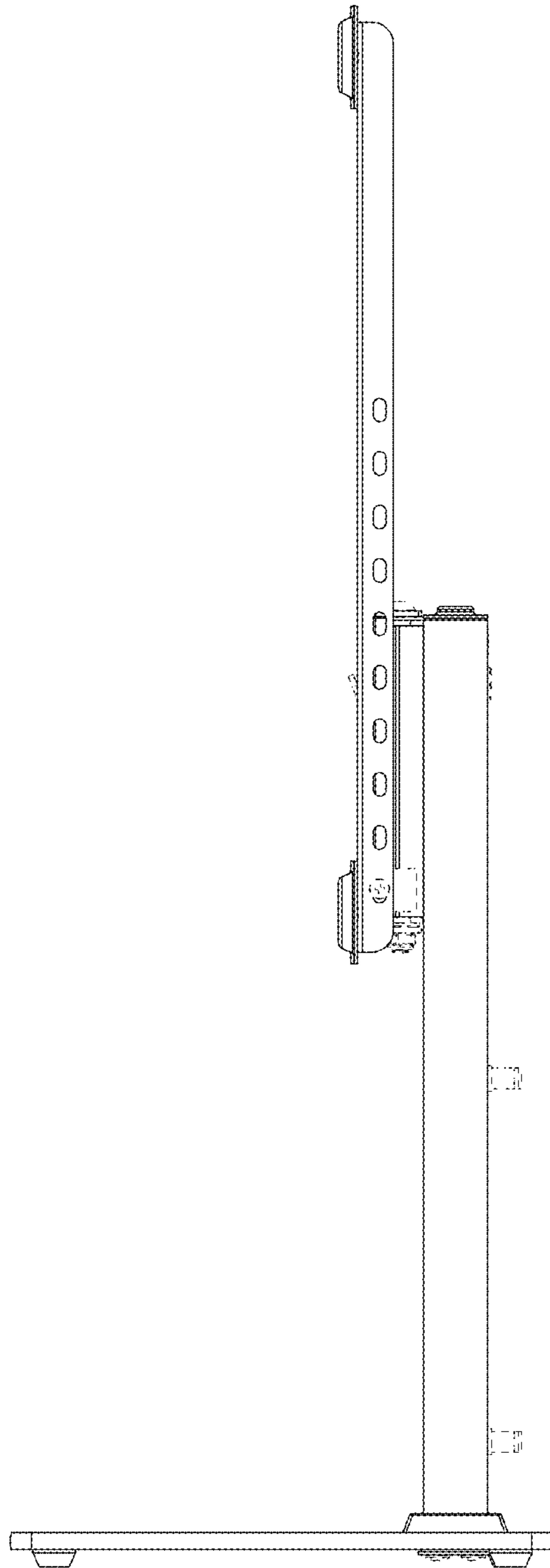


FIG. 7

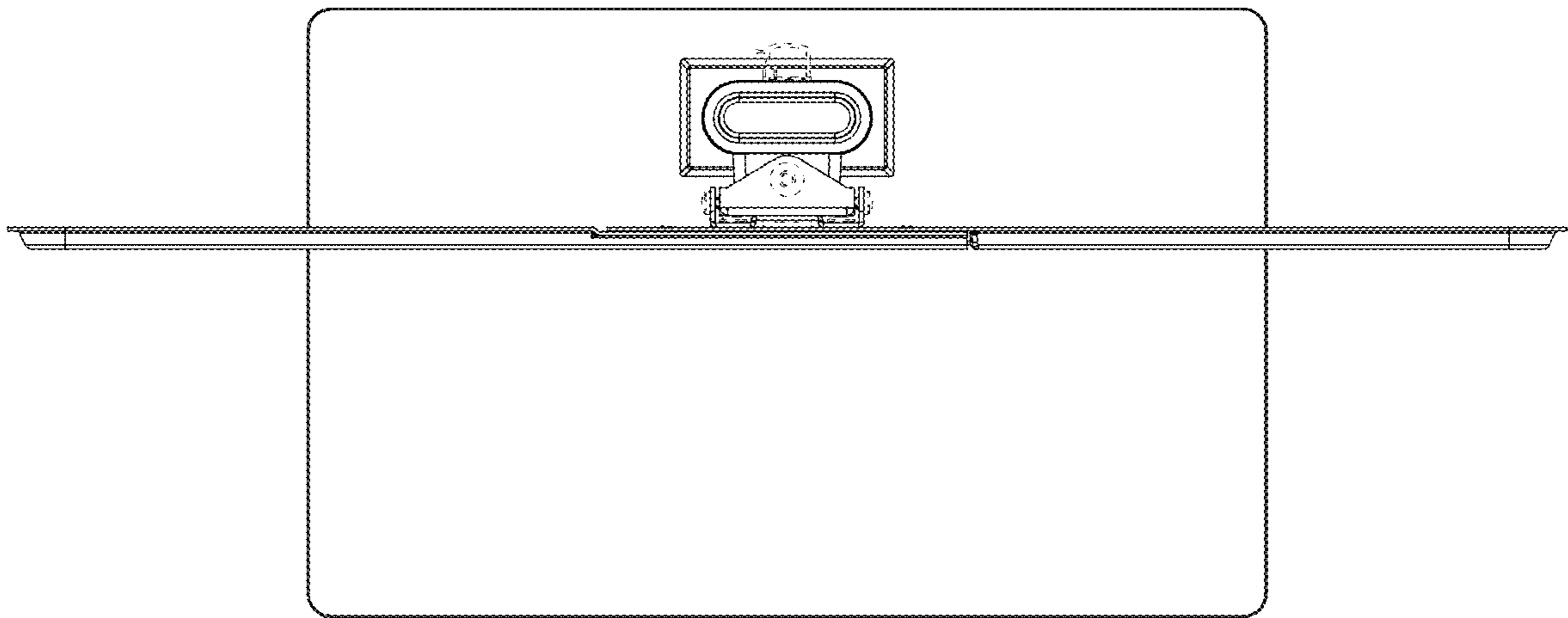


FIG. 8

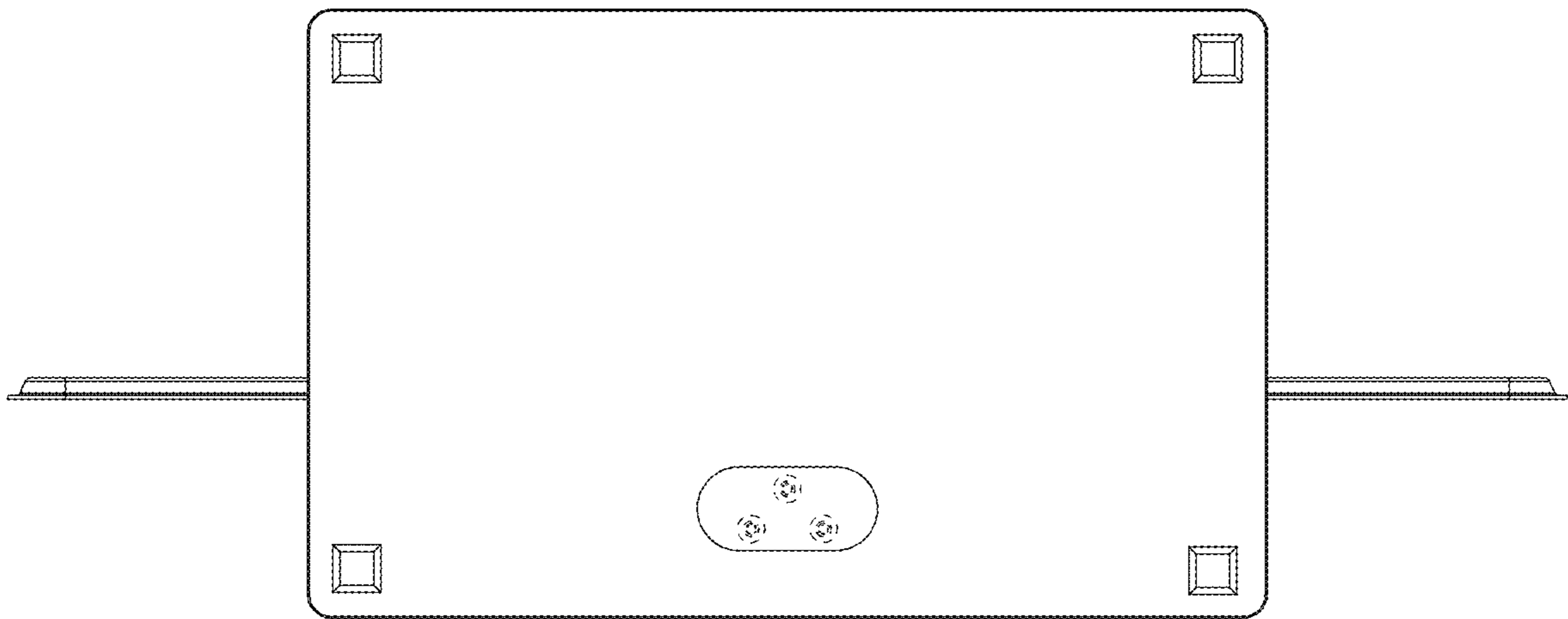


FIG. 9