



US00D916688S

(12) **United States Design Patent** (10) **Patent No.:** **US D916,688 S**
Cong et al. (45) **Date of Patent:** **** Apr. 20, 2021**

(54) **PLANAR ANTENNA**
(71) Applicant: **Galvani Bioelectronics Limited**,
Hertfordshire (GB)
(72) Inventors: **Peng Cong**, Burlingame, CA (US);
Damiano Patron, South San Francisco,
CA (US); **Stephen O'Driscoll**, San
Francisco, CA (US)

D850,426 S * 6/2019 He D14/230
D856,984 S * 8/2019 Nair D14/230
D874,446 S * 2/2020 He D14/230
D886,084 S * 6/2020 Sakamoto D14/230
2004/0041733 A1* 3/2004 Milosavljevic H01Q 9/0442
343/700 MS
2008/0284660 A1* 11/2008 Hozouri H01Q 9/0414
343/700 MS

(Continued)

(73) Assignee: **Galvani Bioelectronics Limited**,
Brentford (GB)

FOREIGN PATENT DOCUMENTS

CN 303453728 * 11/2015
JP D1397761 * 9/2010

(**) Term: **15 Years**

OTHER PUBLICATIONS

(21) Appl. No.: **29/664,370**

Planar dipole antenna on a dielectric substrate. article date Feb.
2014, [https://www.researchgate.net/figure/Planar-dipole-antenna-on-a-dielectric-substrate_fig1_...*](https://www.researchgate.net/figure/Planar-dipole-antenna-on-a-dielectric-substrate_fig1_...)

(22) Filed: **Sep. 24, 2018**

(Continued)

(51) **LOC (13) Cl.** **14-03**

(52) **U.S. Cl.**
USPC **D14/230**

(58) **Field of Classification Search**
USPC D14/230
CPC H01Q 9/04
See application file for complete search history.

Primary Examiner — John R Yeh
(74) *Attorney, Agent, or Firm* — Patterson Thuent
Pedersen, PA

(56) **References Cited**

(57) **CLAIM**

The ornamental design for planar antenna, as shown and
described.

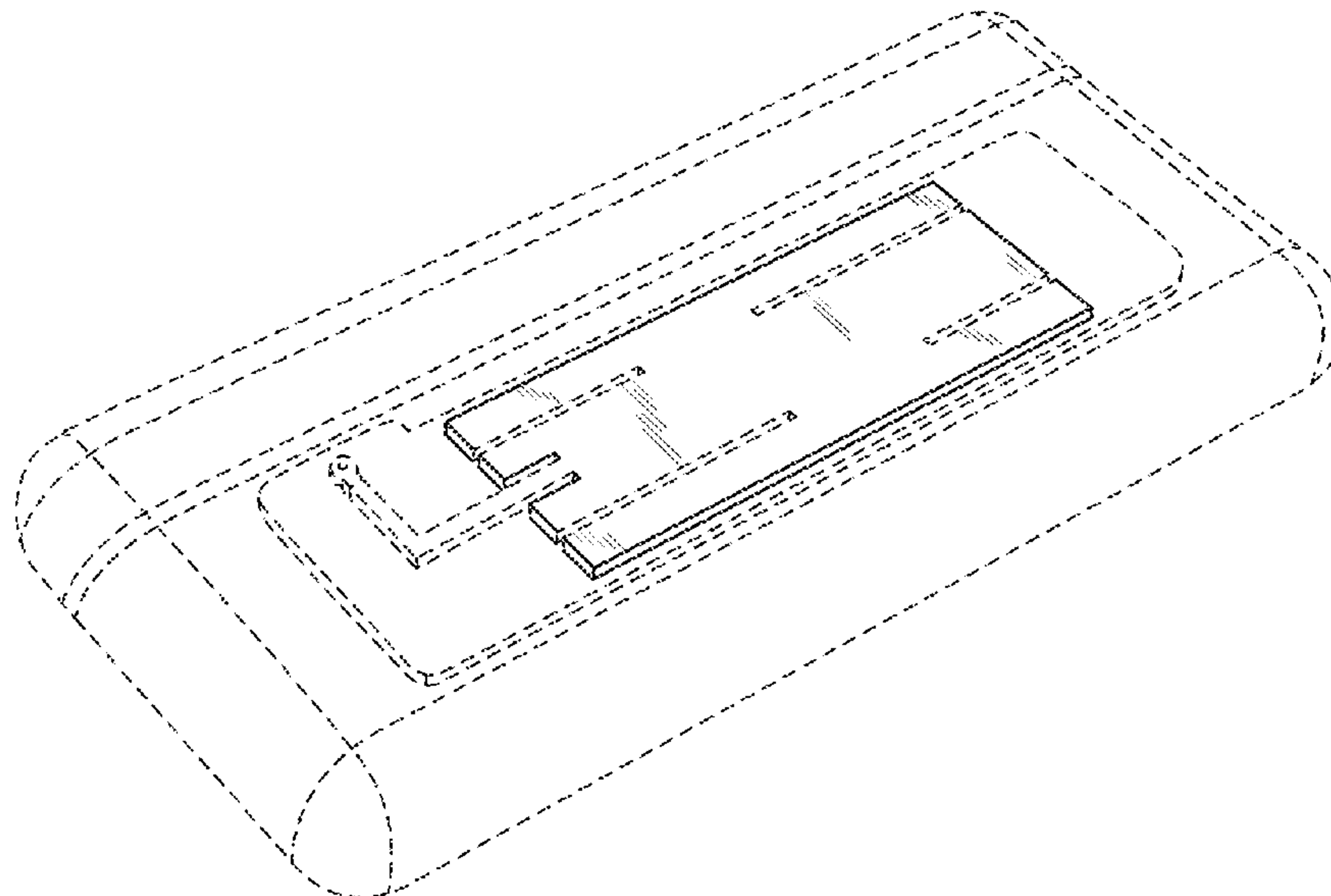
U.S. PATENT DOCUMENTS

DESCRIPTION

D491,557 S * 6/2004 Iwai D14/230
D582,400 S * 12/2008 Takisawa D14/230
D582,905 S * 12/2008 Takisawa D14/230
D649,961 S * 12/2011 Huang D14/230
D650,370 S * 12/2011 Huang D14/230
D692,869 S * 11/2013 Gladstone D14/230
D750,050 S * 2/2016 Poddaturi D14/230
D764,446 S * 8/2016 Chang D14/230
D789,913 S * 6/2017 He D14/230
D826,910 S * 8/2018 Zhao D14/230
10,074,905 B2 * 9/2018 Kim H01Q 5/378
D829,695 S * 10/2018 Wu D14/230
D849,724 S * 5/2019 He D14/230
D850,424 S * 6/2019 Kang D14/230

FIG. 1 is a perspective view of a planar antenna showing the
claimed design;
FIG. 2 is a top view thereof;
FIG. 3 is a bottom view thereof;
FIG. 4 is a right side view thereof; and,
FIG. 5 is a left side view thereof.
The broken lines illustrate environment and portions of the
antenna that form no part of the claimed design.

1 Claim, 4 Drawing Sheets



(56)

References Cited

U.S. PATENT DOCUMENTS

2012/0126016 A1* 5/2012 Yang G06K 19/07771
235/492
2018/0131082 A1* 5/2018 Shirai H01Q 1/32

OTHER PUBLICATIONS

CN201930120880.X, "Notice of Decision to Grant", dated Oct. 18,
2019, 5 pages.
CN201930120924.9, "Notice of Decision to Grant", dated Sep. 20,
2019, 5 pages.
CN201930120932.3, "Notice of Decision to Grant", dated Sep. 20,
2019, 4 pages.
CN201930120935.7, "Notice of Decision to Grant", dated Sep. 20,
2019, 5 pages.

* cited by examiner

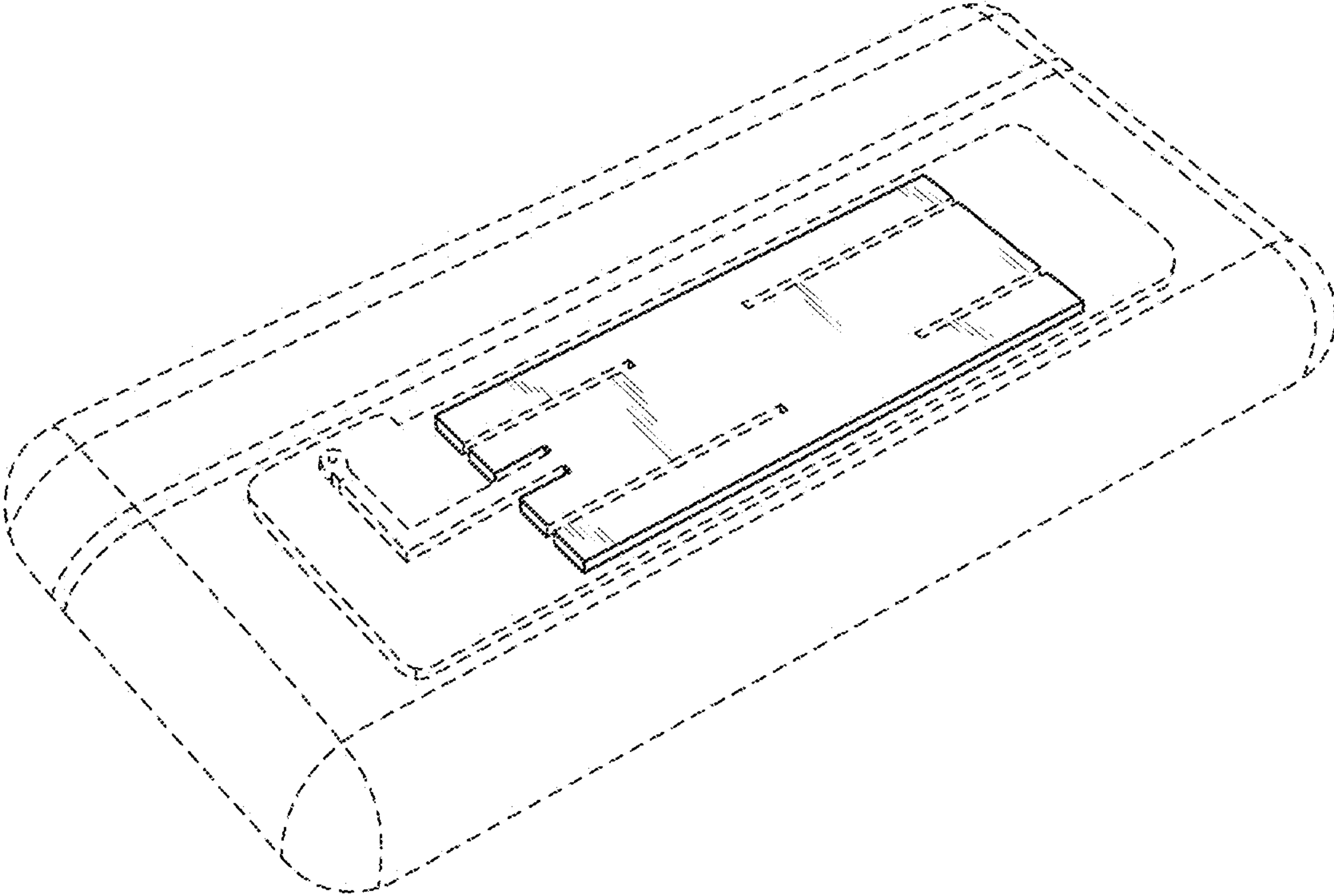


FIG. 1

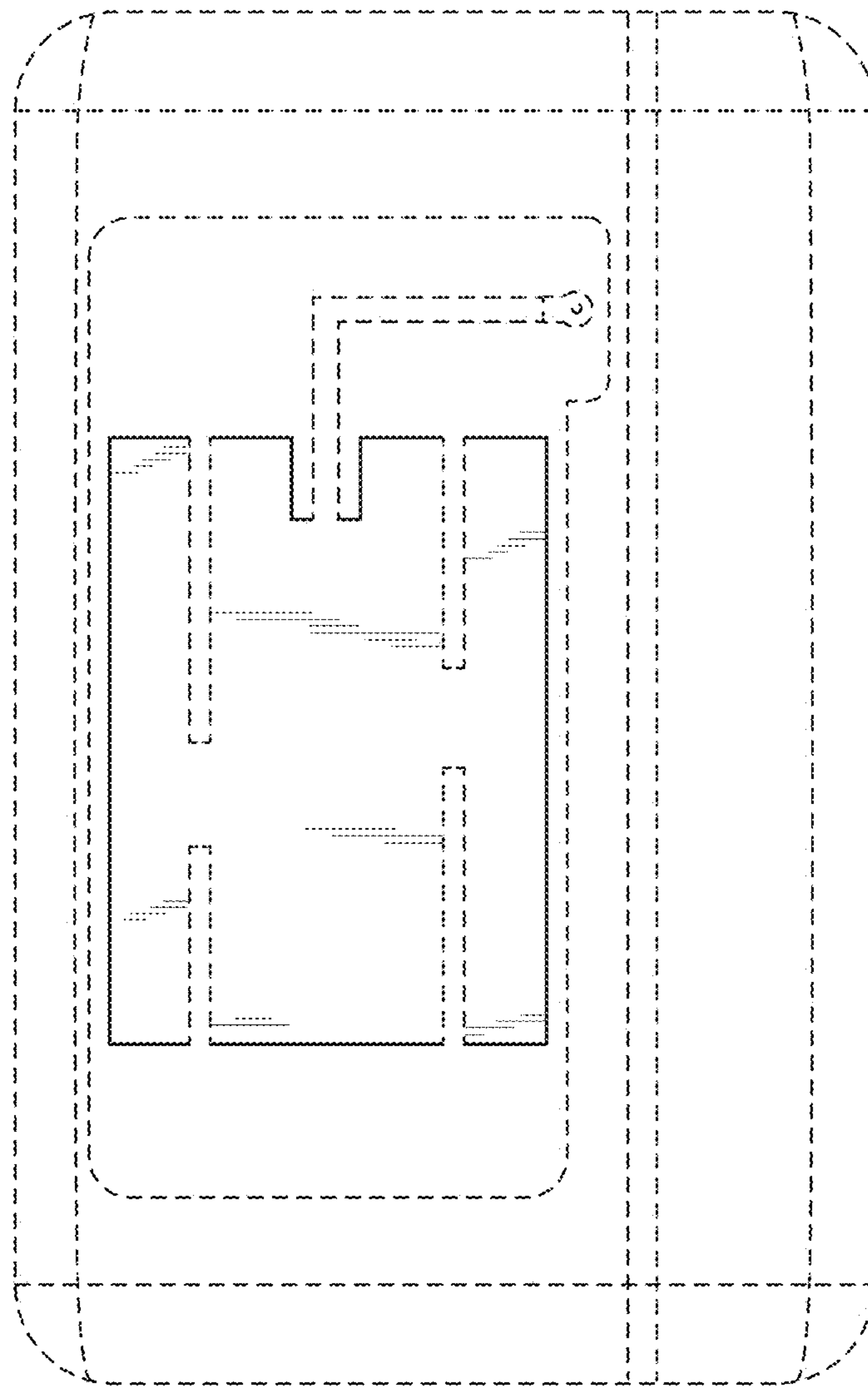


FIG. 2

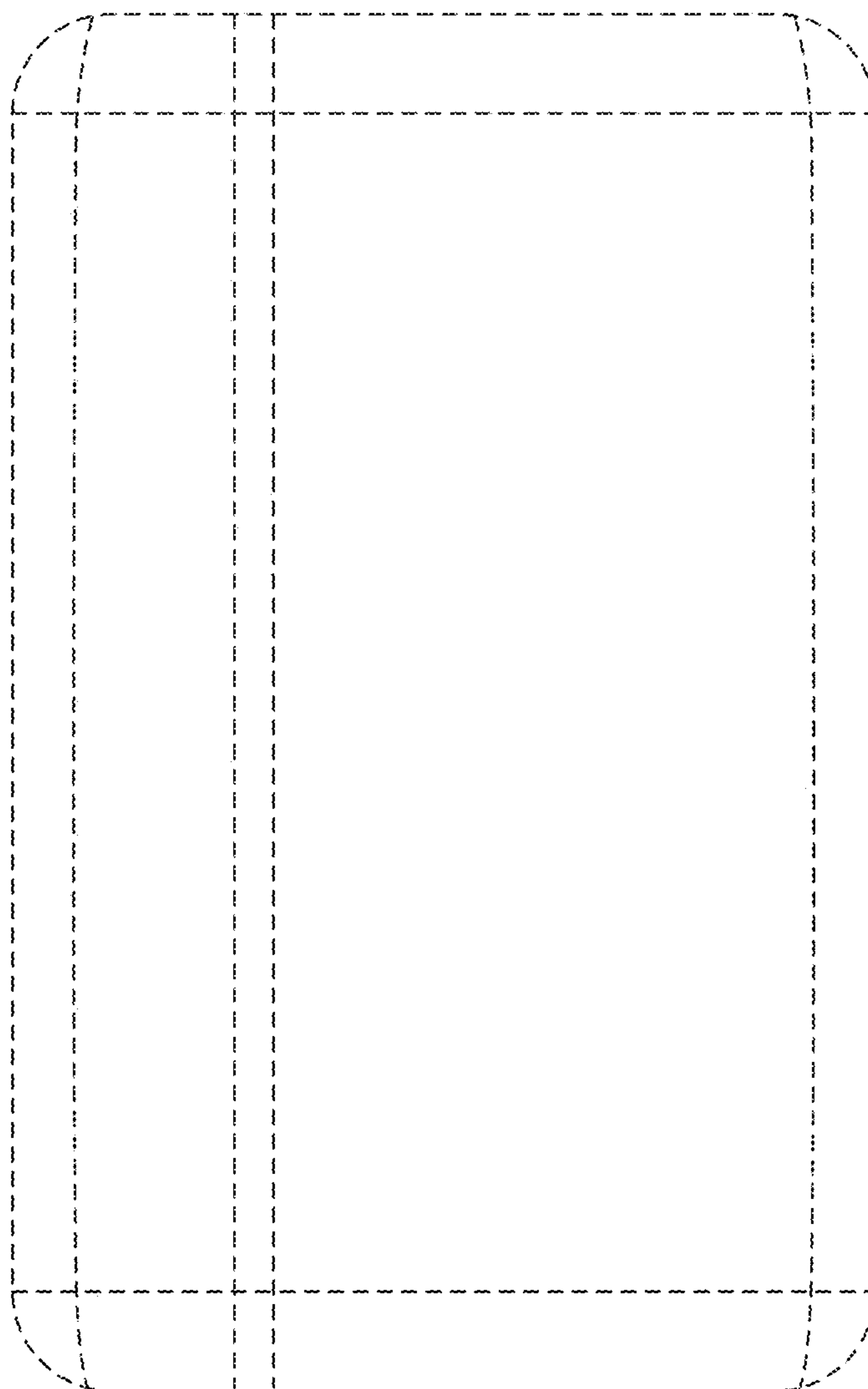


FIG. 3

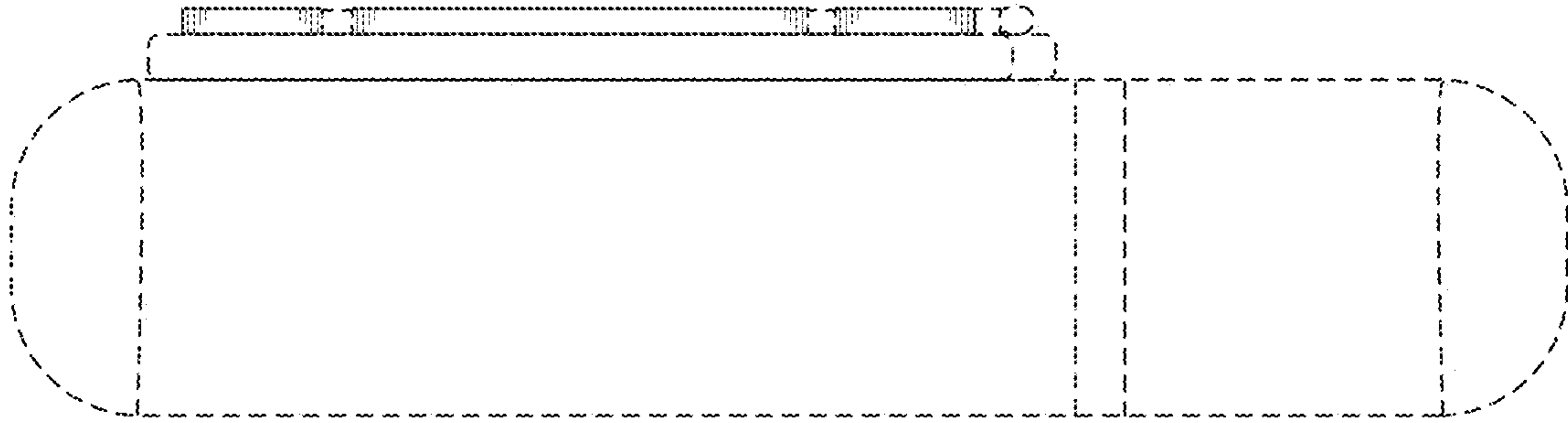


FIG. 4

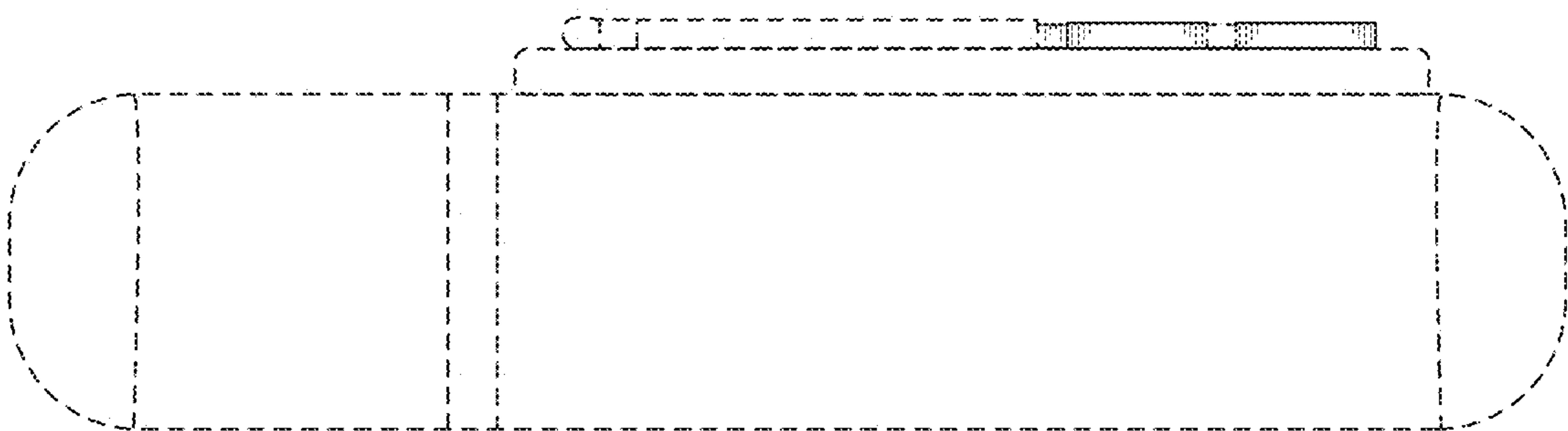


FIG. 5