



US00D916687S

(12) **United States Design Patent**  
**Shi et al.**

(10) **Patent No.:** **US D916,687 S**

(45) **Date of Patent:** **\*\* Apr. 20, 2021**

- (54) **STAND FOR LOUDSPEAKER**
- (71) Applicant: **Shujuan Shi**, Shenzhen (CN)
- (72) Inventors: **Shujuan Shi**, Shenzhen (CN); **Jianpo Jiao**, Shenzhen (CN)
- (73) Assignee: **Shujuan Shi**, Shenzhen (CN)
- (\*\*) Term: **15 Years**
- (21) Appl. No.: **29/765,112**
- (22) Filed: **Jan. 6, 2021**
- (30) **Foreign Application Priority Data**

Dec. 23, 2020 (EM) ..... 008367643-0001  
 Dec. 23, 2020 (EM) ..... 008367643-0002

- (51) **LOC (13) Cl.** ..... **14-03**
- (52) **U.S. Cl.**  
USPC ..... **D14/224**
- (58) **Field of Classification Search**  
USPC ..... D14/224, 224.1, 217, 209.1, 204, 253,  
D14/211, 448, 447, 229, 203.8, 451, 371,  
D14/452, 457, 454, 126, 239; D16/242;  
D13/108; D8/363; D21/333; 108/139;  
248/311.2, 158, 349, 921, 183.1, 183.2  
CPC . H05K 5/00; H05K 7/04; H04R 25/00; H04R  
1/025; F16M 11/00; F16M 13/00  
See application file for complete search history.

(56) **References Cited**  
U.S. PATENT DOCUMENTS

- 2,351,293 A \* 6/1944 Saunders ..... A63B 22/14  
482/147
- 2,896,901 A \* 7/1959 Levy ..... F16M 11/10  
248/278.1
- 3,908,942 A \* 9/1975 Keith ..... A47G 29/00  
248/158
- 4,302,695 A \* 11/1981 Boyles ..... H04R 17/00  
310/322

- 4,429,247 A \* 1/1984 Feldman ..... H04R 17/00  
310/322
- D281,493 S \* 11/1985 Prager ..... D13/162.1
- D281,495 S \* 11/1985 Ponticelli ..... D14/224
- D282,704 S \* 2/1986 Burnett ..... D30/133
- 4,969,290 A \* 11/1990 Skoretz ..... A01G 9/04  
108/20
- 5,209,446 A \* 5/1993 Kawai ..... F16M 11/126  
108/139

(Continued)

*Primary Examiner* — Paula Allen Greene

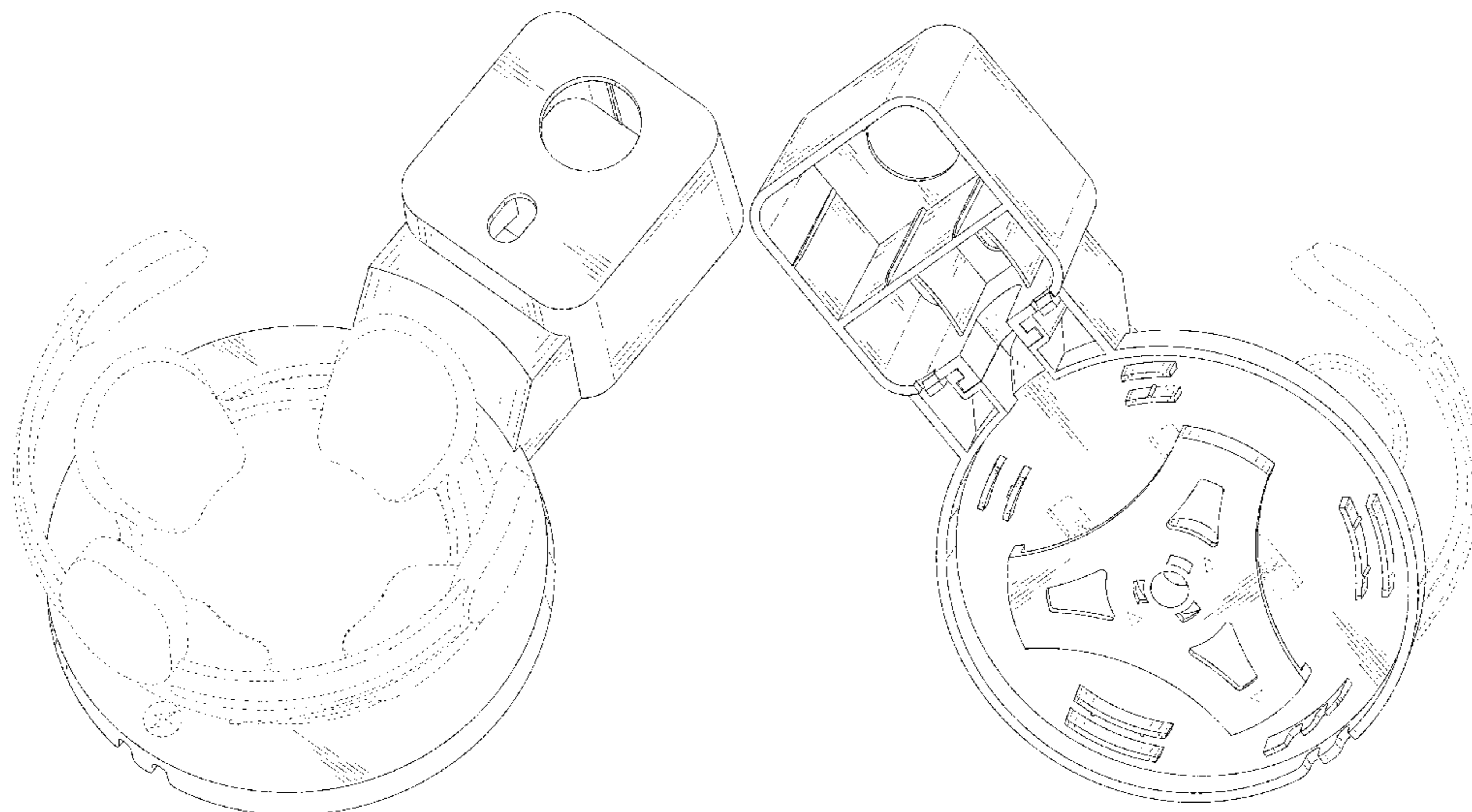
(57) **CLAIM**

The ornamental design for a stand for loudspeaker, as shown and described.

**DESCRIPTION**

FIG. 1. is a perspective view of a first embodiment of a stand for loudspeaker showing our new design;  
 FIG. 2 is another perspective view thereof;  
 FIG. 3 is a front elevational view thereof;  
 FIG. 4 is a rear elevational view thereof;  
 FIG. 5 is a left side elevational view thereof;  
 FIG. 6 is a right side elevational view thereof;  
 FIG. 7 is a top plan view thereof;  
 FIG. 8 is a bottom plan view thereof;  
 FIG. 9 is a perspective view of a second embodiment of the stand for loudspeaker showing our new design;  
 FIG. 10 is another perspective view thereof;  
 FIG. 11 is a front elevational view thereof;  
 FIG. 12 is a rear elevational view thereof;  
 FIG. 13 is a left side elevational view thereof;  
 FIG. 14 is a right side elevational view thereof;  
 FIG. 15 is a top plan view thereof; and,  
 FIG. 16 is a bottom plan view thereof.  
 The broken lines in the drawings depict boundaries of the stand for loudspeaker that form no part of the claimed design.

**1 Claim, 16 Drawing Sheets**



(56)

References Cited

U.S. PATENT DOCUMENTS

5,398,903 A \* 3/1995 Cho ..... A47B 81/065  
248/349.1  
D359,494 S \* 6/1995 Hedaya ..... D14/224  
D366,254 S \* 1/1996 Lynch ..... D14/452  
D372,192 S \* 7/1996 Pigott ..... D8/499  
D380,959 S \* 7/1997 Mitchell ..... D15/143  
6,099,334 A \* 8/2000 Togashi ..... H01R 13/703  
439/188  
D443,262 S \* 6/2001 Caren ..... D14/224  
D468,729 S \* 1/2003 Takayama ..... D14/224  
D487,733 S \* 3/2004 Lucaci ..... D14/137  
6,751,317 B2 \* 6/2004 Shima ..... H01R 13/7033  
379/438  
D493,386 S \* 7/2004 Pontaoe ..... D11/218  
D512,905 S \* 12/2005 Byers ..... D8/382  
D530,713 S \* 10/2006 Richter ..... D14/253  
D533,163 S \* 12/2006 Takase ..... D14/215  
D540,331 S 4/2007 Ly Hau et al.  
D542,279 S \* 5/2007 Chan ..... D14/216  
D565,551 S \* 4/2008 Yoshinaga ..... D14/216  
D565,552 S \* 4/2008 Yoshinaga ..... D14/216  
D568,144 S \* 5/2008 Wohlford ..... D14/451  
D582,399 S \* 12/2008 Venier ..... H04R 1/025  
D14/224  
D595,650 S \* 7/2009 Di Stefano ..... D13/133  
D598,910 S \* 8/2009 Bradford ..... D14/217  
D609,636 S \* 2/2010 Jensen ..... D13/108  
D615,068 S \* 5/2010 Yuasa ..... D14/216  
D618,671 S \* 6/2010 Hou ..... D14/223  
D633,872 S \* 3/2011 Shen ..... D13/155  
D634,303 S \* 3/2011 Beedham ..... D14/217  
D638,398 S \* 5/2011 Morison ..... D14/205  
D655,293 S \* 3/2012 Gioscia ..... D14/434  
D660,890 S \* 5/2012 Ito ..... D15/143  
D662,087 S \* 6/2012 Peller ..... D14/223  
D663,292 S \* 7/2012 Hoggarth ..... D14/224  
D690,707 S \* 10/2013 Minn ..... B60R 11/0241  
D14/447

D692,784 S \* 11/2013 Anderssen ..... D10/70  
D694,228 S \* 11/2013 Richter ..... D14/253  
D696,259 S \* 12/2013 Howarth ..... D14/447  
D704,199 S \* 5/2014 Byun ..... D14/447  
D708,619 S \* 7/2014 Sogabe ..... D14/434  
D709,066 S \* 7/2014 Byun ..... D14/253  
8,811,653 B2 \* 8/2014 Hiramoto ..... H04R 9/06  
381/433  
D713,398 S \* 9/2014 Alesi ..... D14/253  
D719,961 S \* 12/2014 Xiang ..... D14/447  
8,967,578 B2 \* 3/2015 Laurita ..... A47C 3/18  
248/346.06  
D739,223 S \* 9/2015 Paik ..... D8/396  
D751,558 S \* 3/2016 Lee ..... D14/432  
D777,167 S \* 1/2017 Wengreen ..... D14/447  
9,541,957 B1 \* 1/2017 Liu ..... F16M 11/041  
D795,844 S \* 8/2017 Harper ..... D14/224  
D797,860 S \* 9/2017 Ewing ..... D21/561  
D799,492 S \* 10/2017 Seiss ..... D14/447  
D804,487 S \* 12/2017 Theis ..... D14/447  
D807,339 S \* 1/2018 Lan ..... D14/253  
D810,050 S \* 2/2018 Uemoto ..... D14/216  
D814,267 S \* 4/2018 Verbowski ..... D8/354  
D817,333 S \* 5/2018 Boshernitzan ..... D14/434  
D826,906 S \* 8/2018 Lasnier de Lavalette ... D14/224  
D832,274 S \* 10/2018 Wengreen ..... D14/447  
D845,275 S \* 4/2019 Adachi ..... D14/216  
D847,114 S \* 4/2019 Miyata ..... D14/204  
D847,119 S \* 4/2019 Theisen ..... D14/209.1  
D855,590 S \* 8/2019 Qi ..... D14/224  
D858,490 S \* 9/2019 Qi ..... D14/224  
D879,749 S \* 3/2020 Qi ..... D14/224  
D881,167 S \* 4/2020 Jiao ..... D14/224  
D887,383 S \* 6/2020 Wang ..... D14/172  
D887,397 S \* 6/2020 Wang ..... D14/224  
2016/0025264 A1 \* 1/2016 Casagrande ..... F16M 11/041  
248/205.9  
2017/0150620 A1 \* 5/2017 Wengreen ..... H05K 5/0204  
2017/0208945 A1 \* 7/2017 Wengreen ..... A47B 96/027

\* cited by examiner

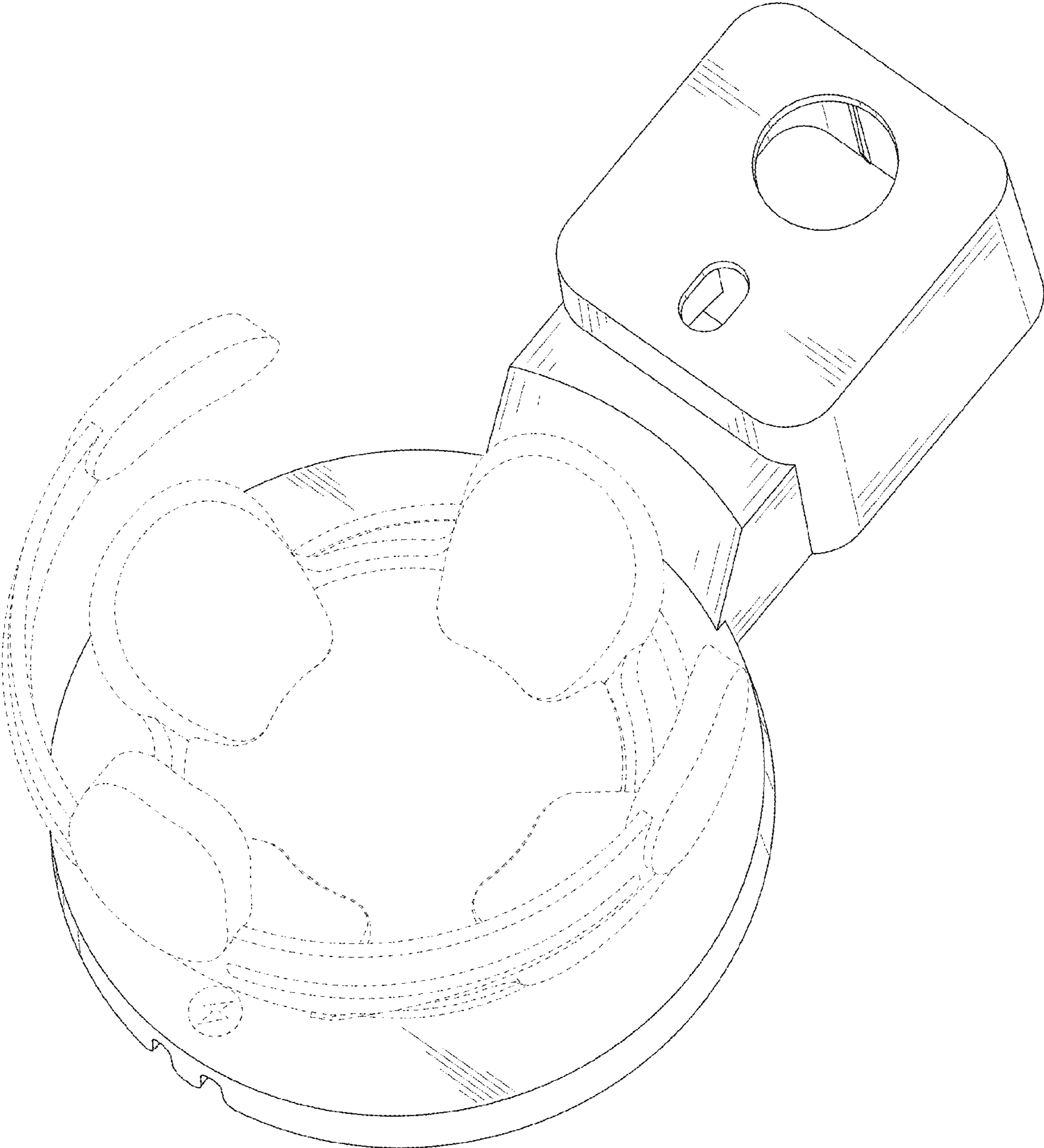


FIG. 1

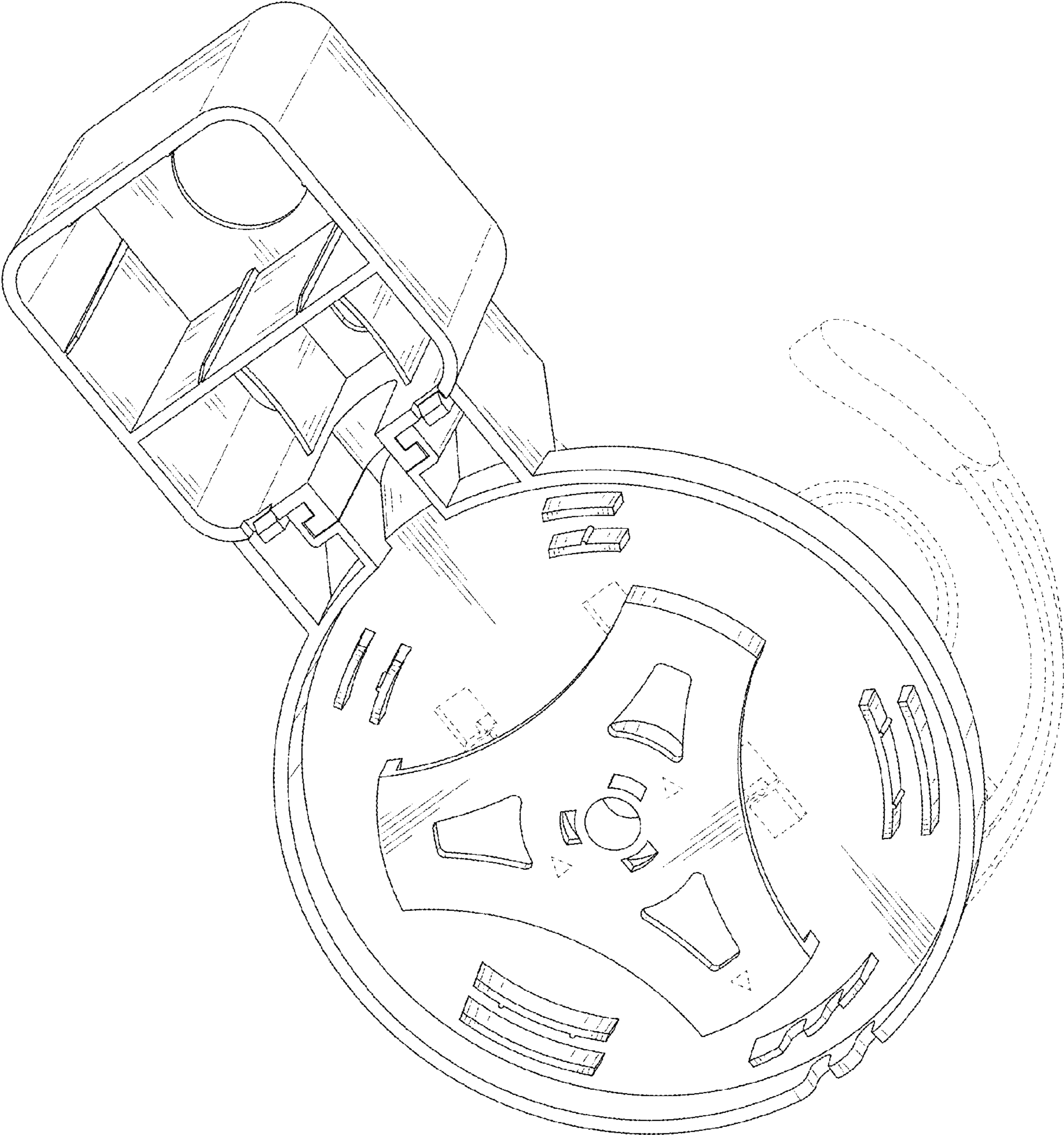


FIG. 2

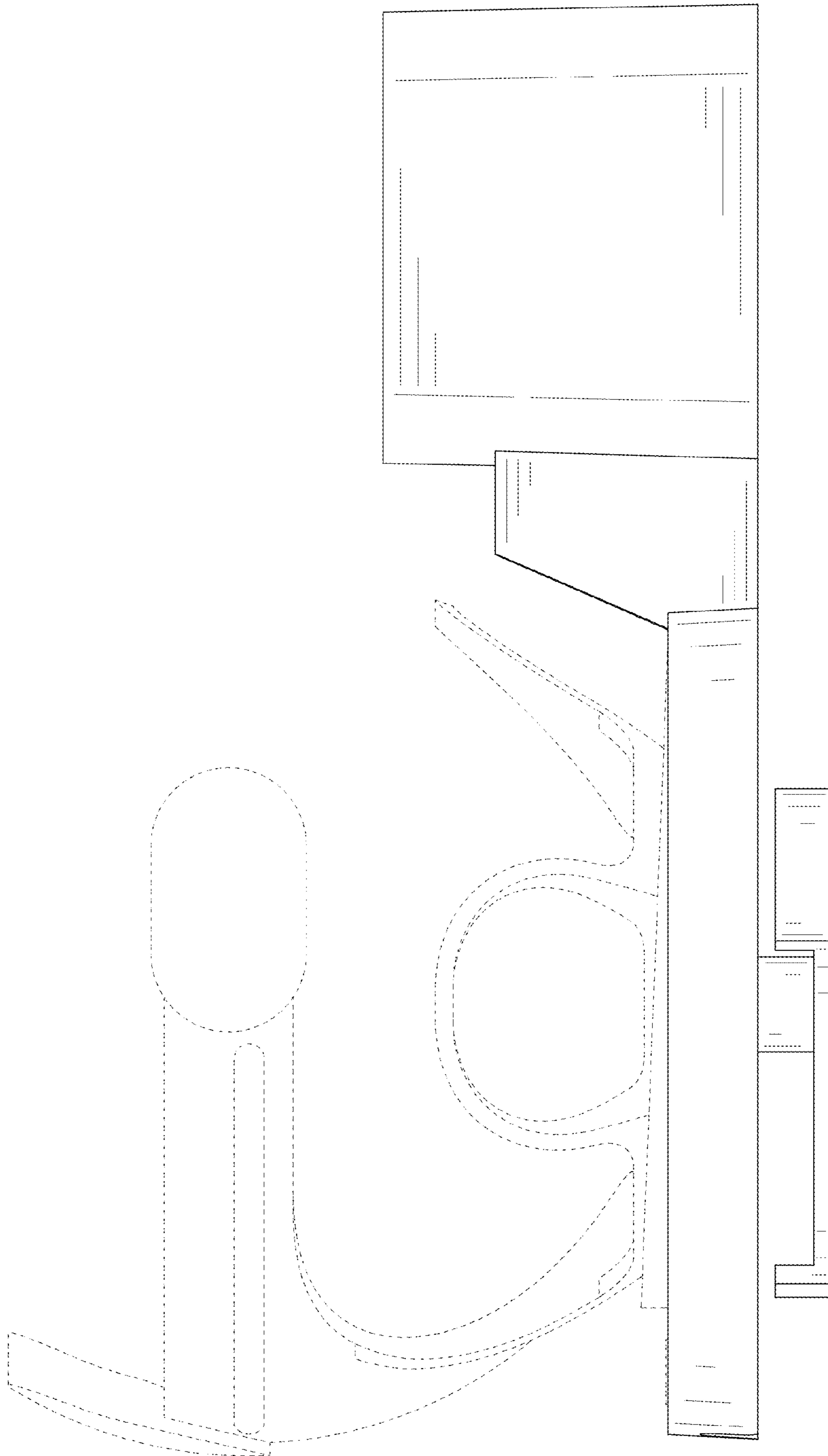


FIG. 3

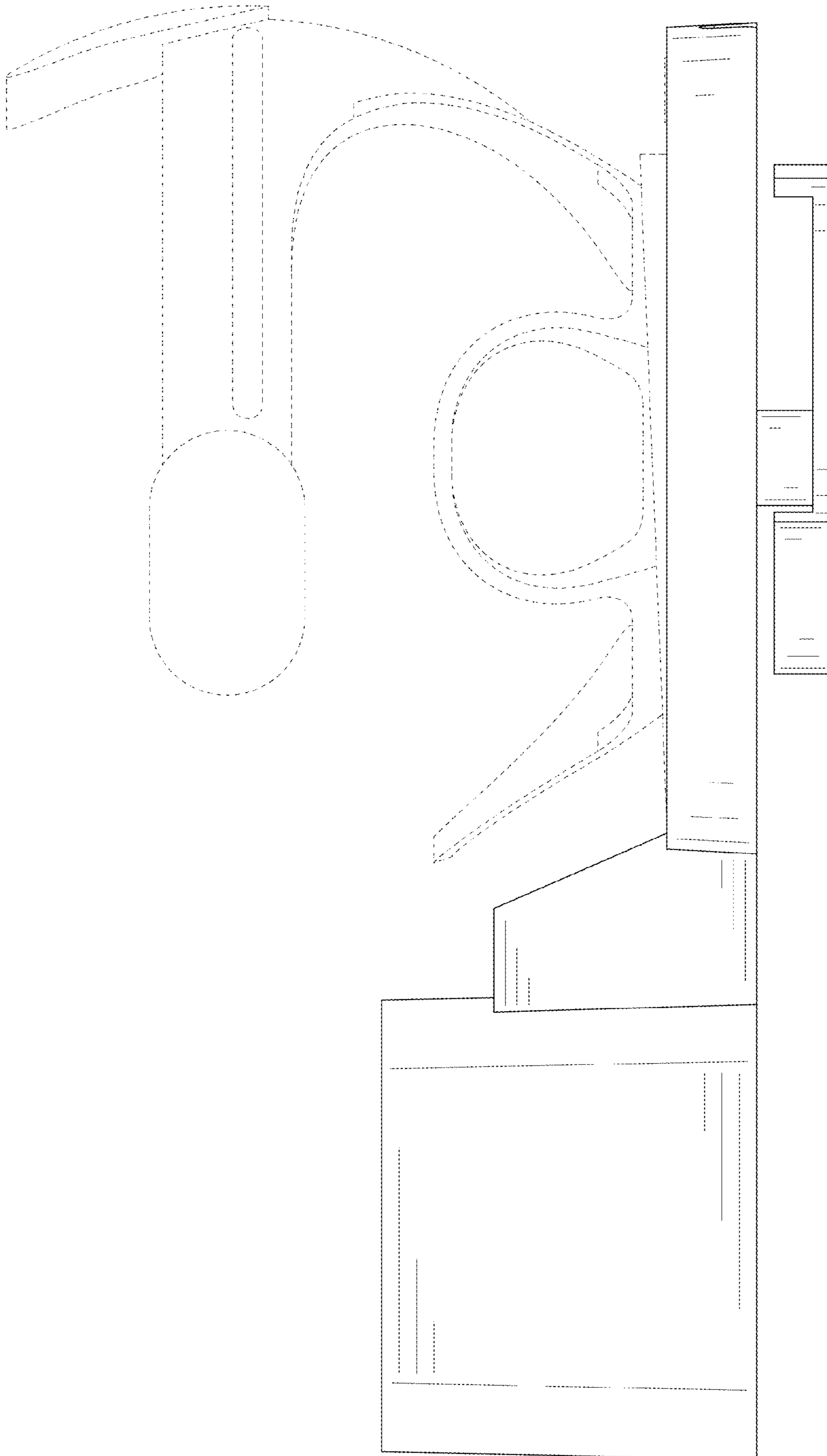


FIG. 4

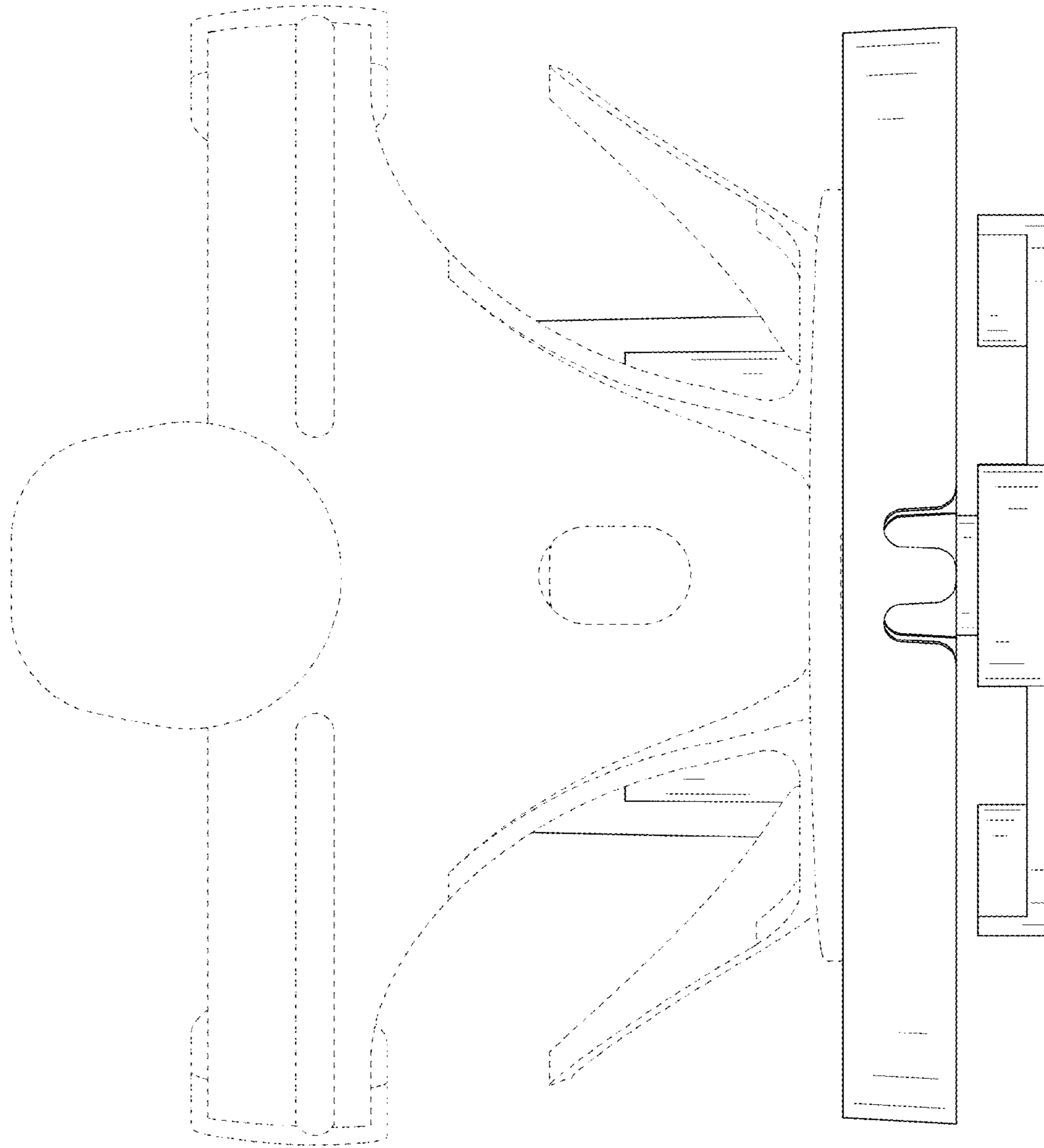


FIG. 5

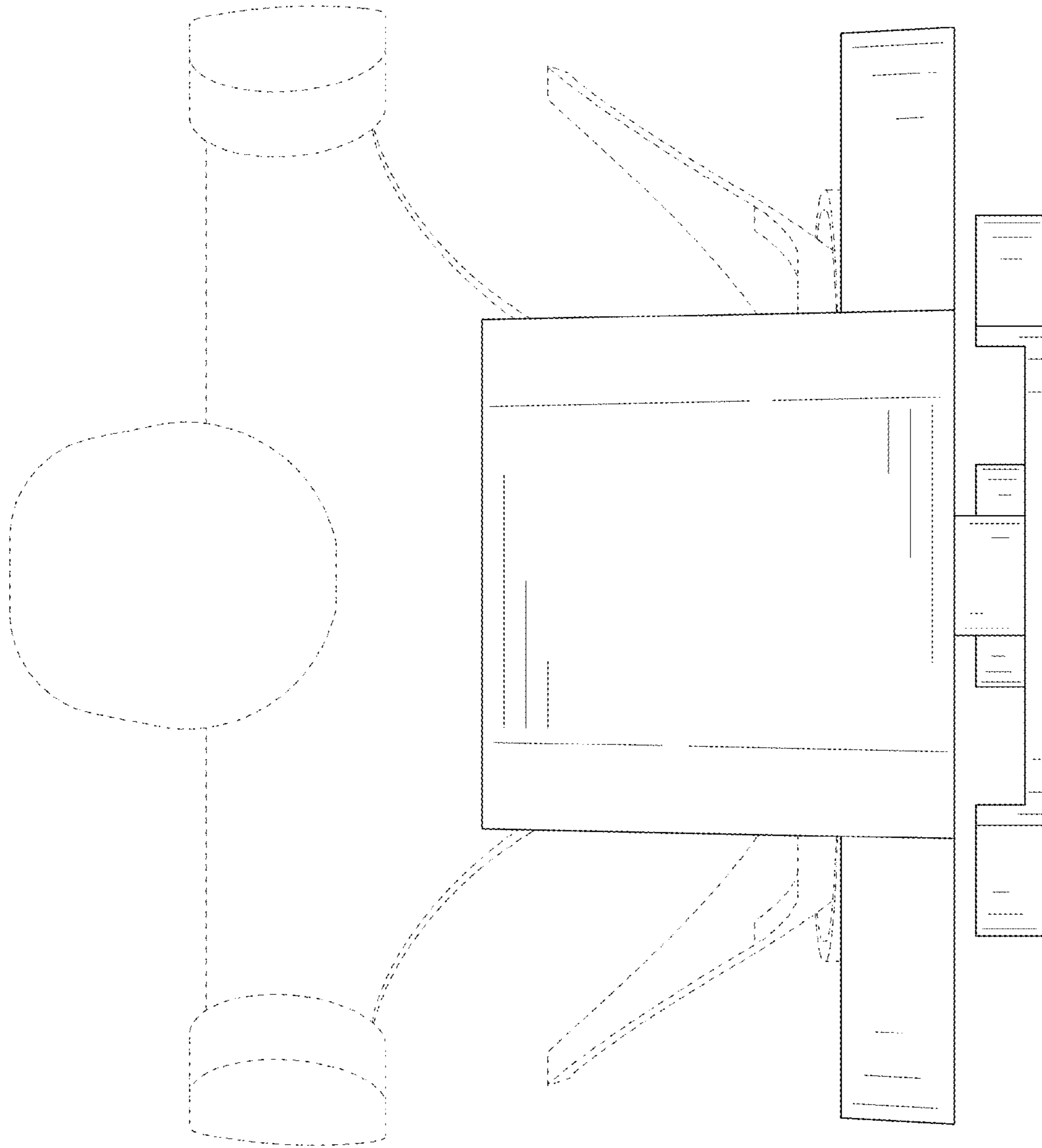


FIG. 6



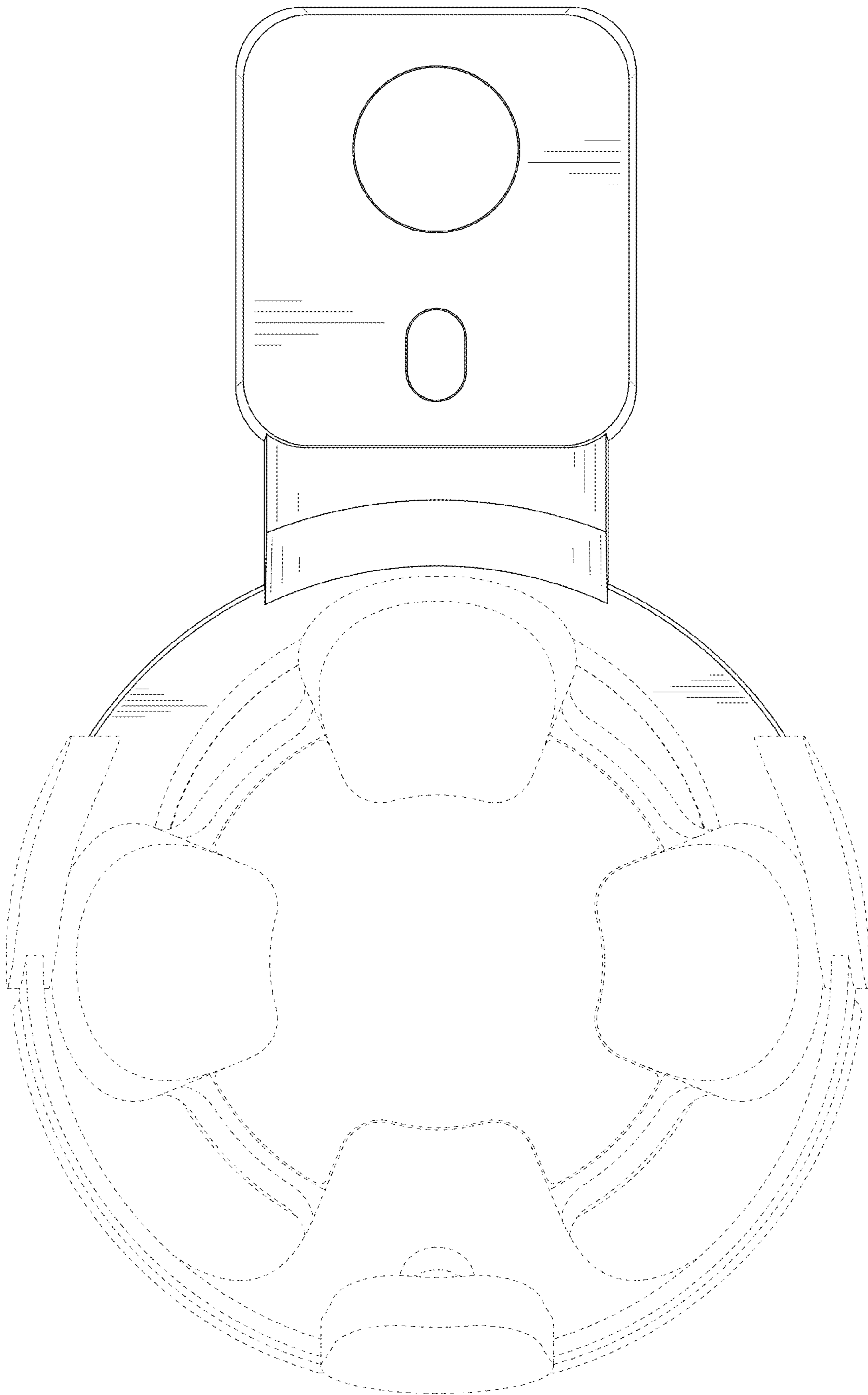


FIG. 7

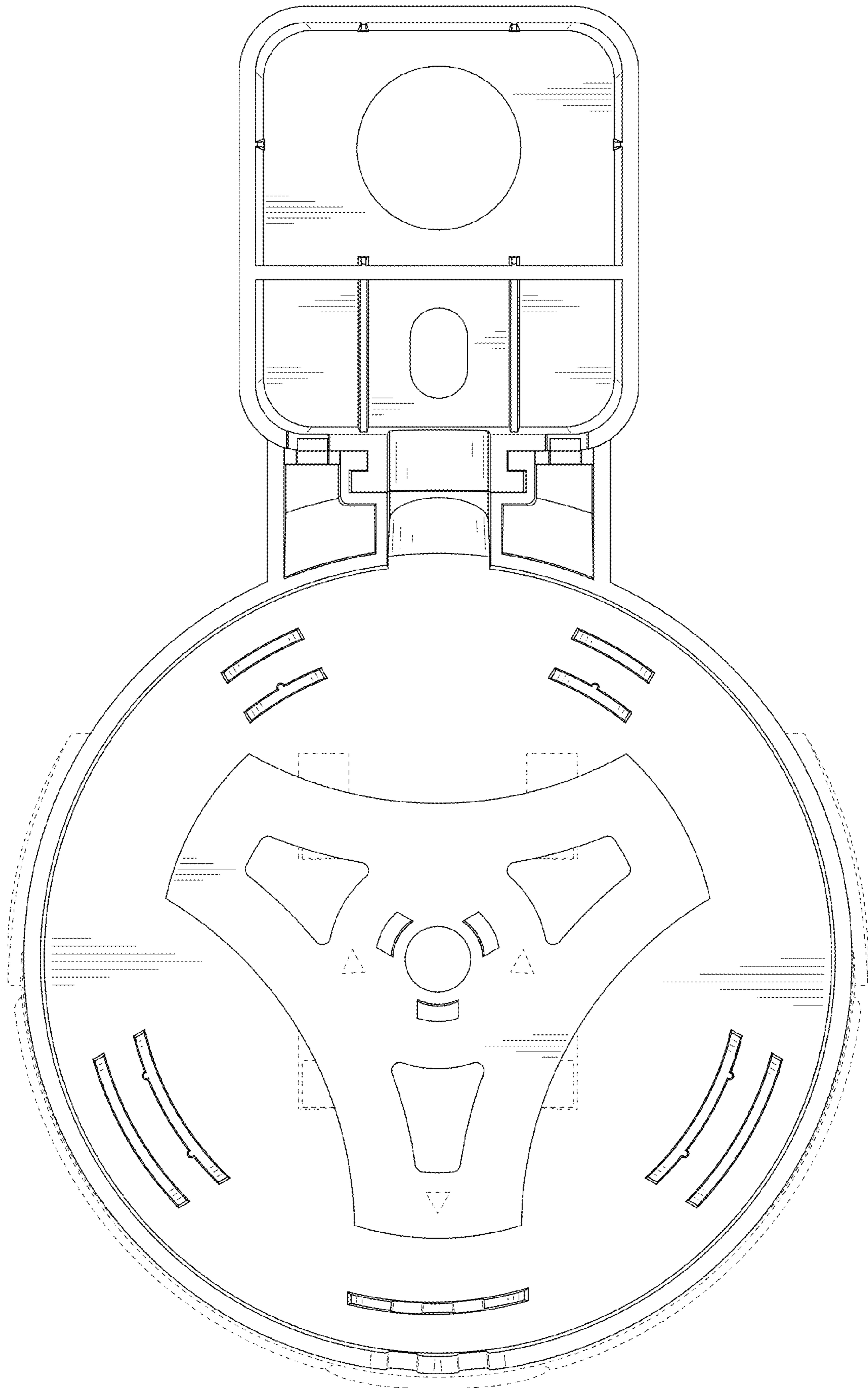


FIG. 8

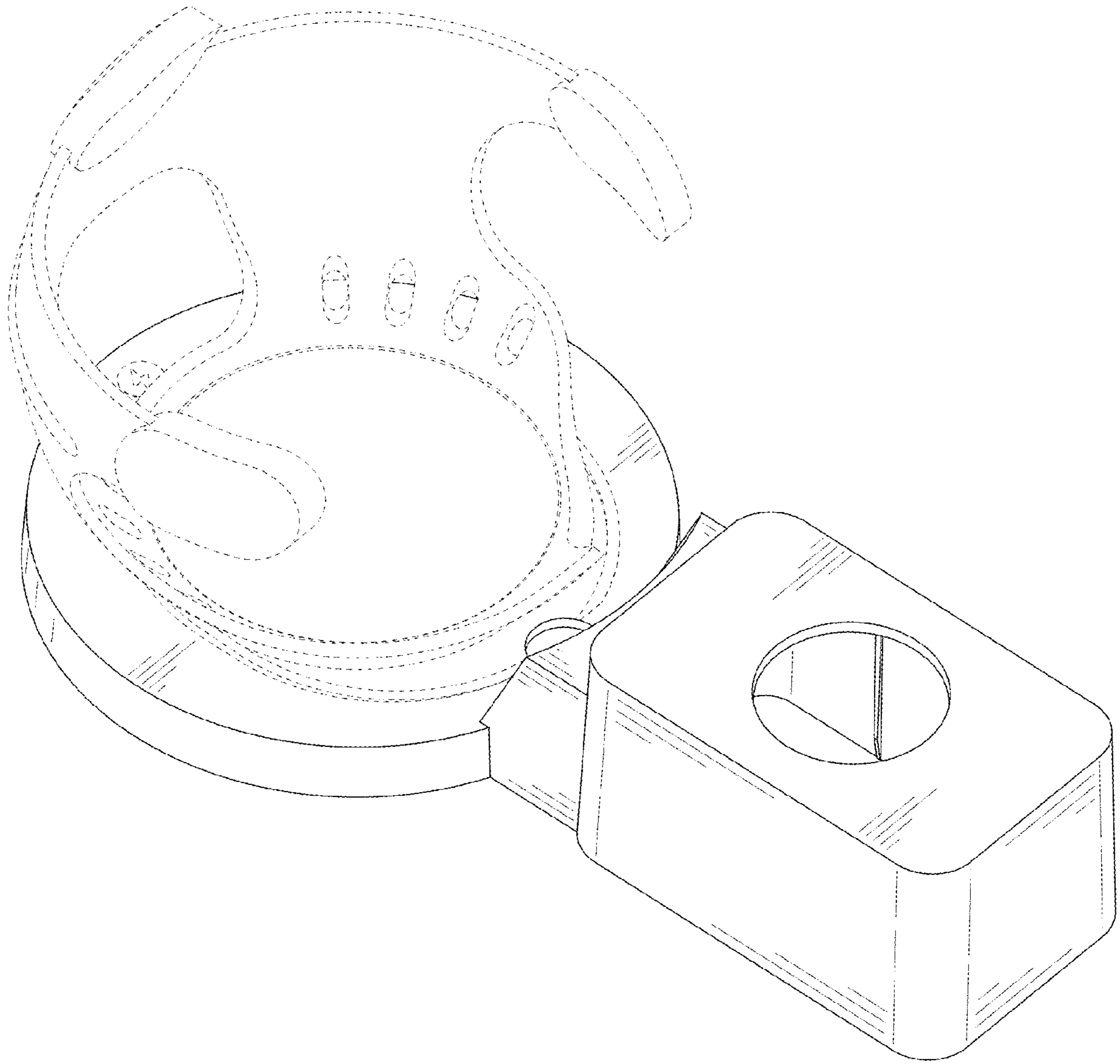


FIG. 9

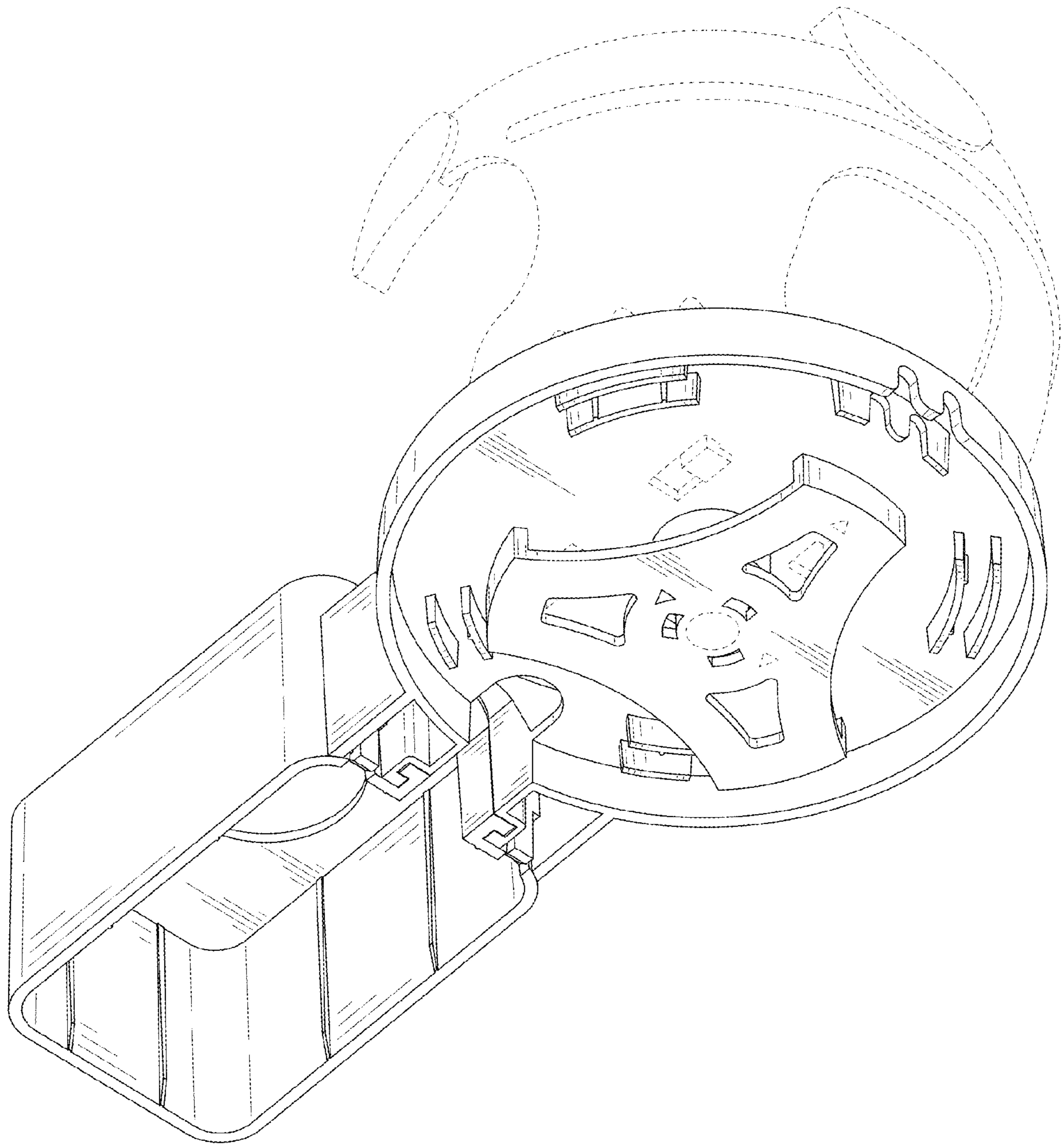


FIG. 10

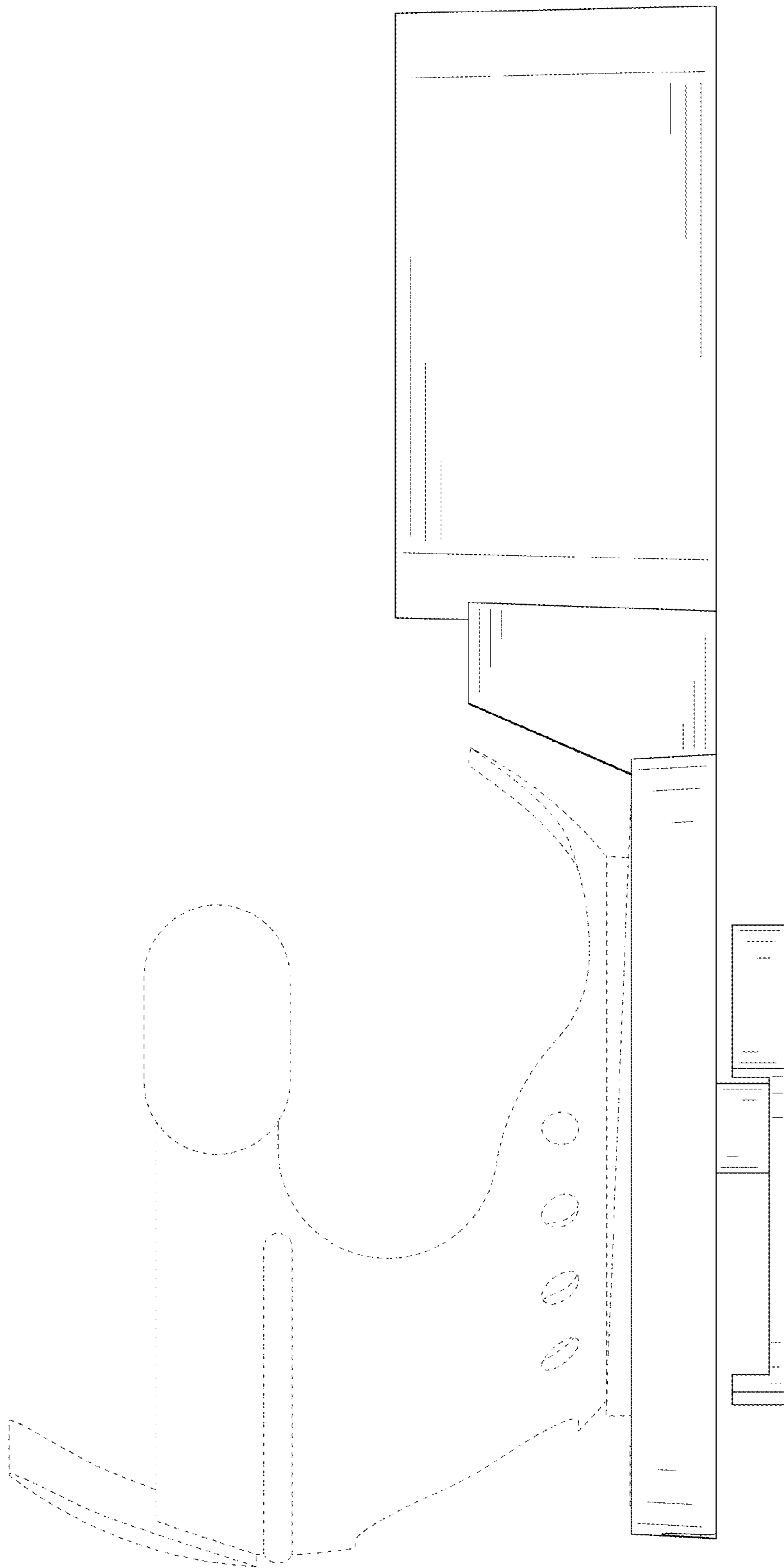


FIG. 11

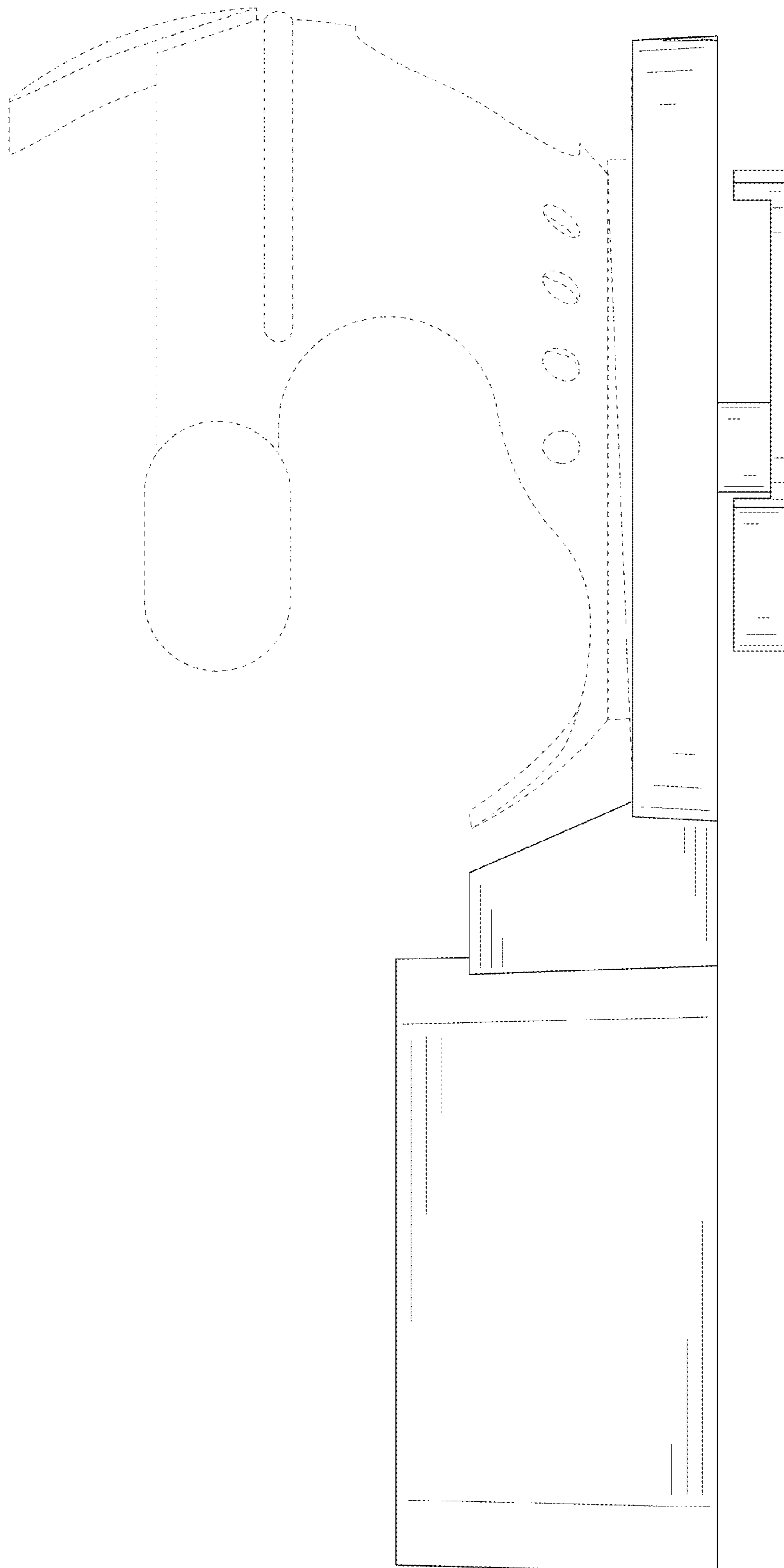


FIG. 12

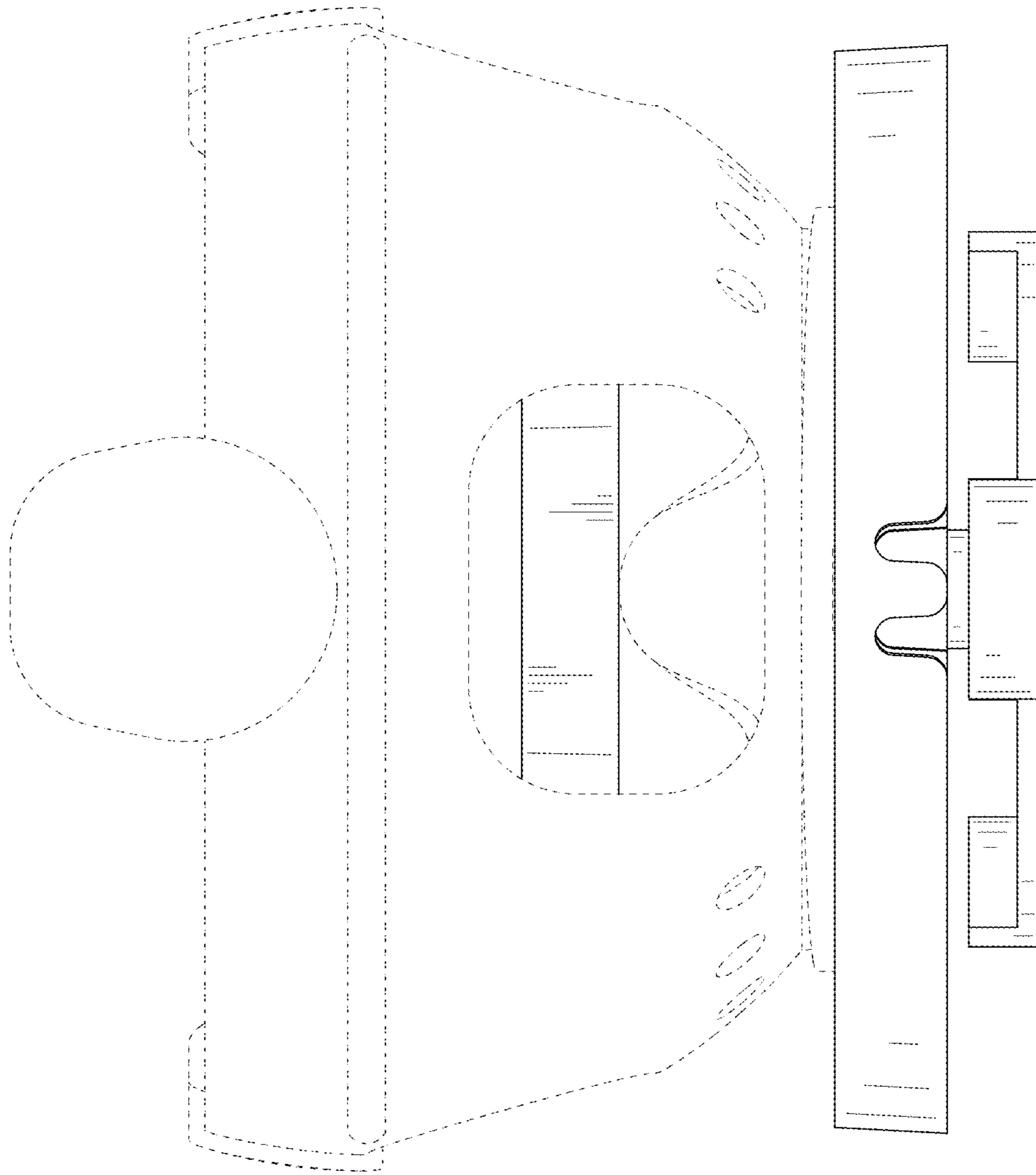


FIG. 13

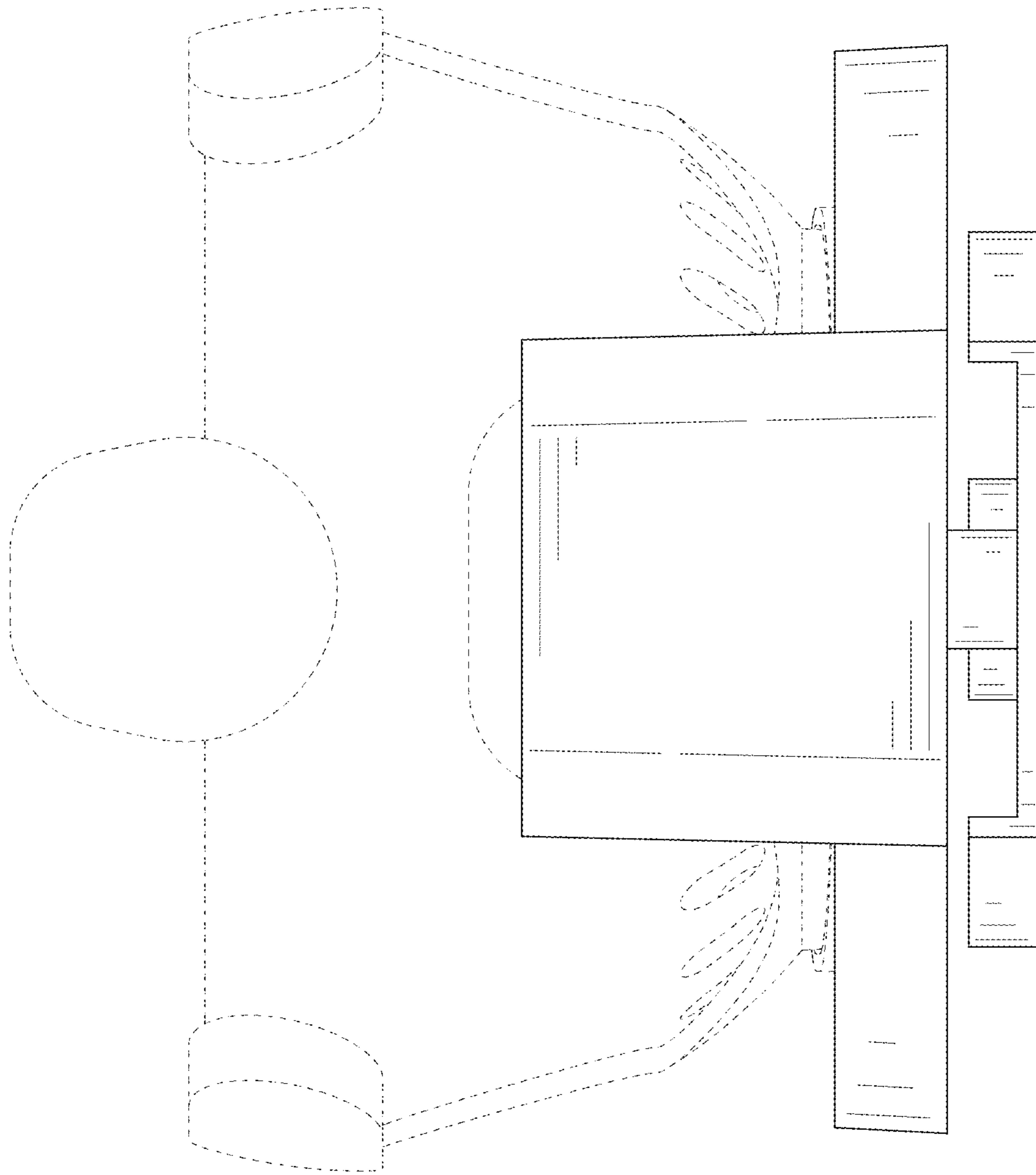


FIG. 14



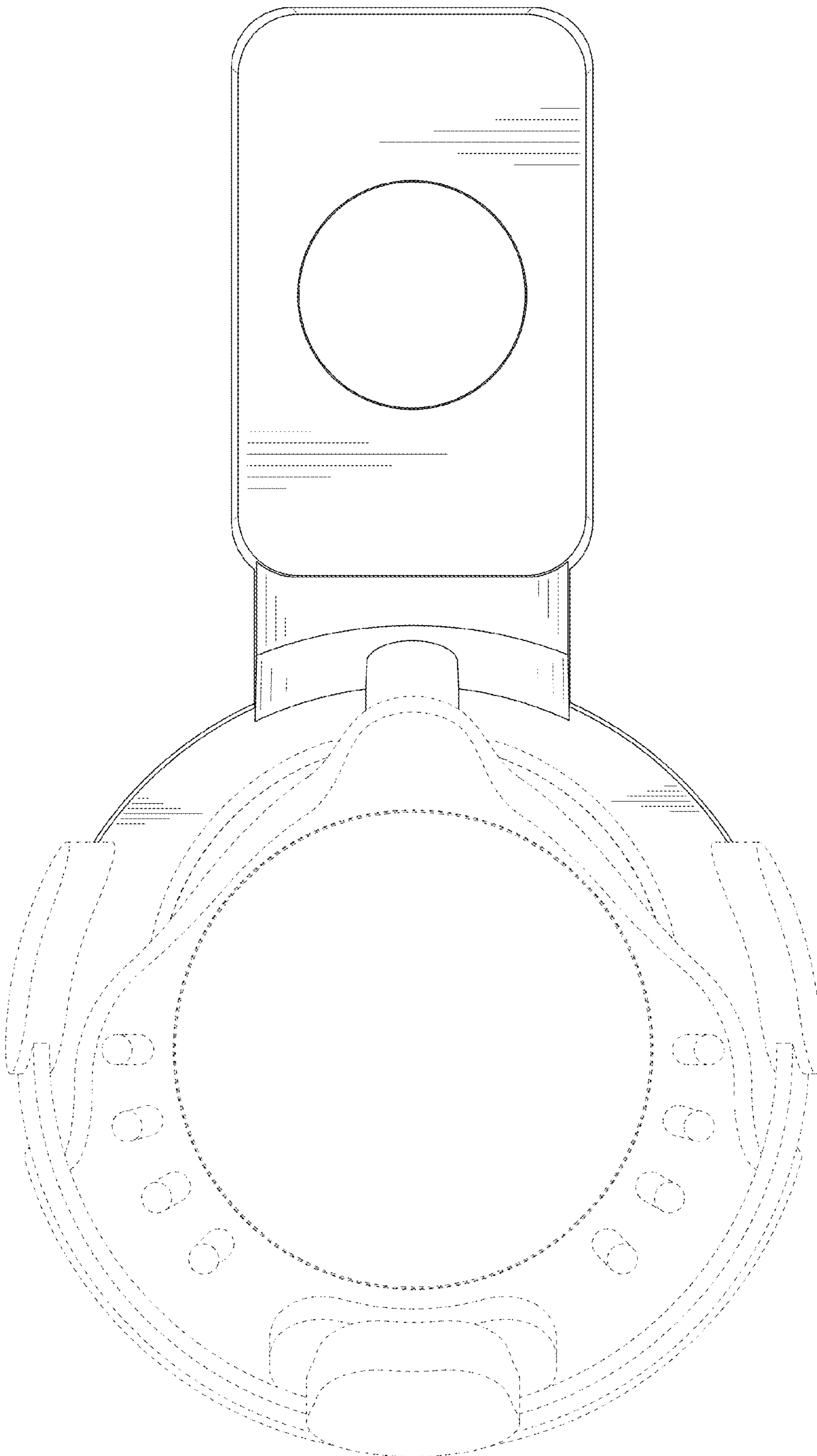


FIG. 15

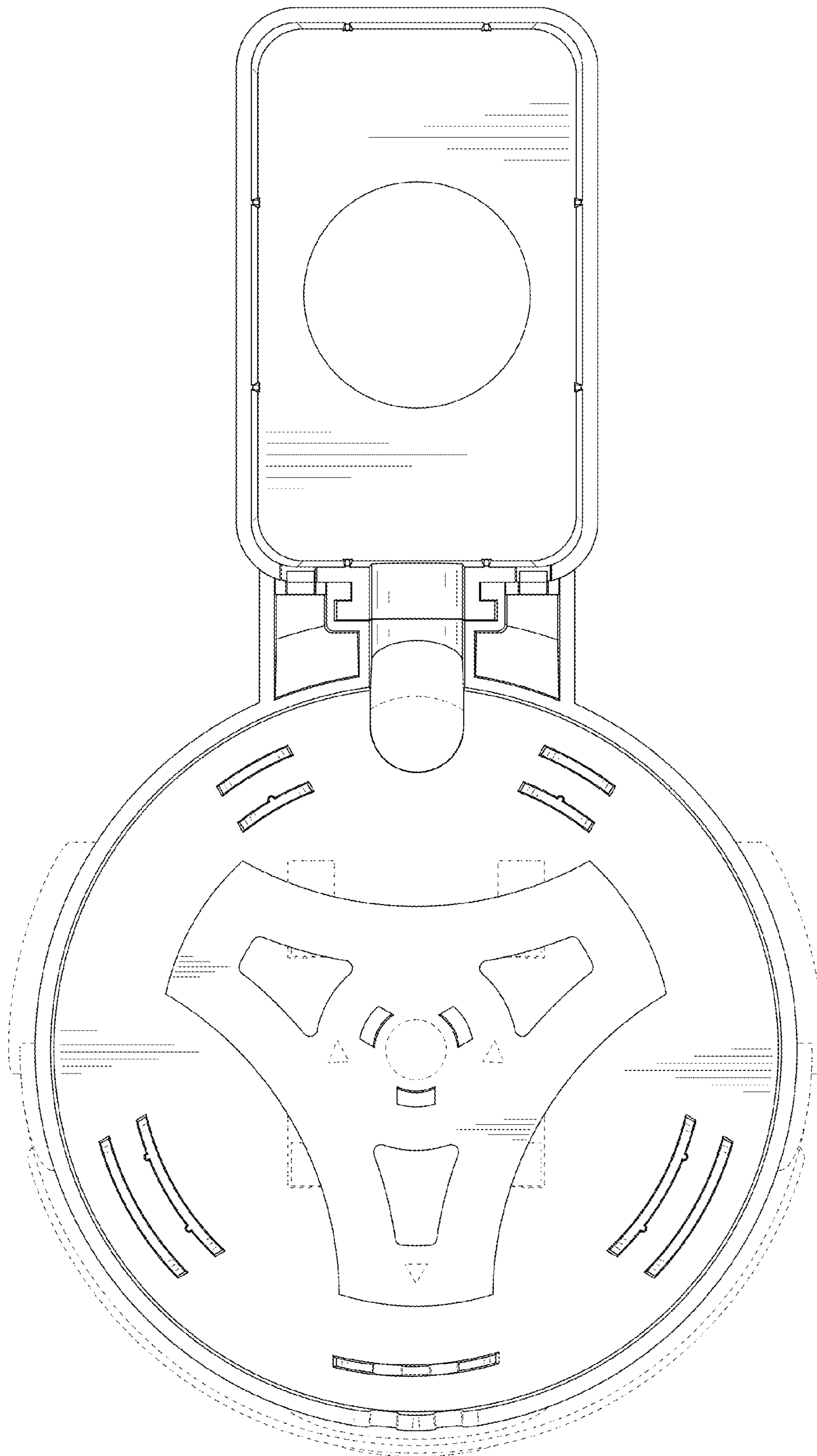


FIG. 16