



US00D916685S

(12) **United States Design Patent**  
**Fang**

(10) **Patent No.:** **US D916,685 S**

(45) **Date of Patent:** **\*\* Apr. 20, 2021**

(54) **EARPHONE**

(71) Applicant: **Yanzhao Fang**, Linxiang (CN)

(72) Inventor: **Yanzhao Fang**, Linxiang (CN)

(\*\*) Term: **15 Years**

(21) Appl. No.: **29/738,001**

(22) Filed: **Jun. 13, 2020**

(51) **LOC (13) Cl.** ..... **14-01**

(52) **U.S. Cl.**  
USPC ..... **D14/223**

(58) **Field of Classification Search**  
USPC ..... D14/223, 205, 248; D6/582;  
D24/174; 128/864, 865, 866; 381/380,  
381/381, 382; 455/90.3, 575.1, 569.1  
CPC ..... H04R 1/10; H04R 25/00; H04R 25/02;  
H04R 1/1066; H04R 1/1016; H04R  
5/033; H04R 5/0335; H04R 1/1091;  
H04R 1/1083; H04R 1/105  
See application file for complete search history.

(56) **References Cited**

**U.S. PATENT DOCUMENTS**

4,949,081	A *	8/1990	Keller	.....	G09F 9/302 345/33
D475,996	S *	6/2003	Skulley	.....	D14/223
D509,199	S *	9/2005	Haase	.....	D14/137
D517,054	S *	3/2006	Yang	.....	D14/205
D520,497	S *	5/2006	Yang	.....	D14/223
7,079,664	B2 *	7/2006	Nassimi	.....	H04R 25/558 381/328
D535,974	S *	1/2007	Alwicker	.....	D14/188
D550,658	S *	9/2007	Wang	.....	D14/223
D554,626	S *	11/2007	Christopher	.....	D14/223
D555,151	S *	11/2007	Eklund	.....	D14/223
D555,152	S *	11/2007	Wang	.....	D14/223
D582,897	S *	12/2008	Christopher	.....	D14/223
D582,899	S *	12/2008	Wai	.....	D14/205

D584,285	S *	1/2009	Xu	.....	D14/206
D589,504	S *	3/2009	He	.....	D14/248
D594,005	S *	6/2009	Shi	.....	D14/341
D597,084	S *	7/2009	Gondo	.....	D14/223
D601,548	S *	10/2009	Morisawa	.....	D14/223
D603,378	S *	11/2009	Paradise	.....	D14/223
D604,722	S *	11/2009	Mistry	.....	D14/223
D606,980	S *	12/2009	Bradford	.....	D14/218
D607,427	S *	1/2010	Ho	.....	D14/138 AD
D617,779	S *	6/2010	Nylen	.....	D14/223
D620,927	S *	8/2010	Li	.....	D14/223
7,778,410	B2 *	8/2010	Liu	.....	H04M 1/05 379/430
D623,629	S *	9/2010	Lau	.....	D14/223
D629,396	S *	12/2010	Andre	.....	D14/223

(Continued)

**FOREIGN PATENT DOCUMENTS**

CN 306203587 \* 12/2020

*Primary Examiner* — Paula Allen Greene

(74) *Attorney, Agent, or Firm* — Law Offices of Steven W. Weinrieb

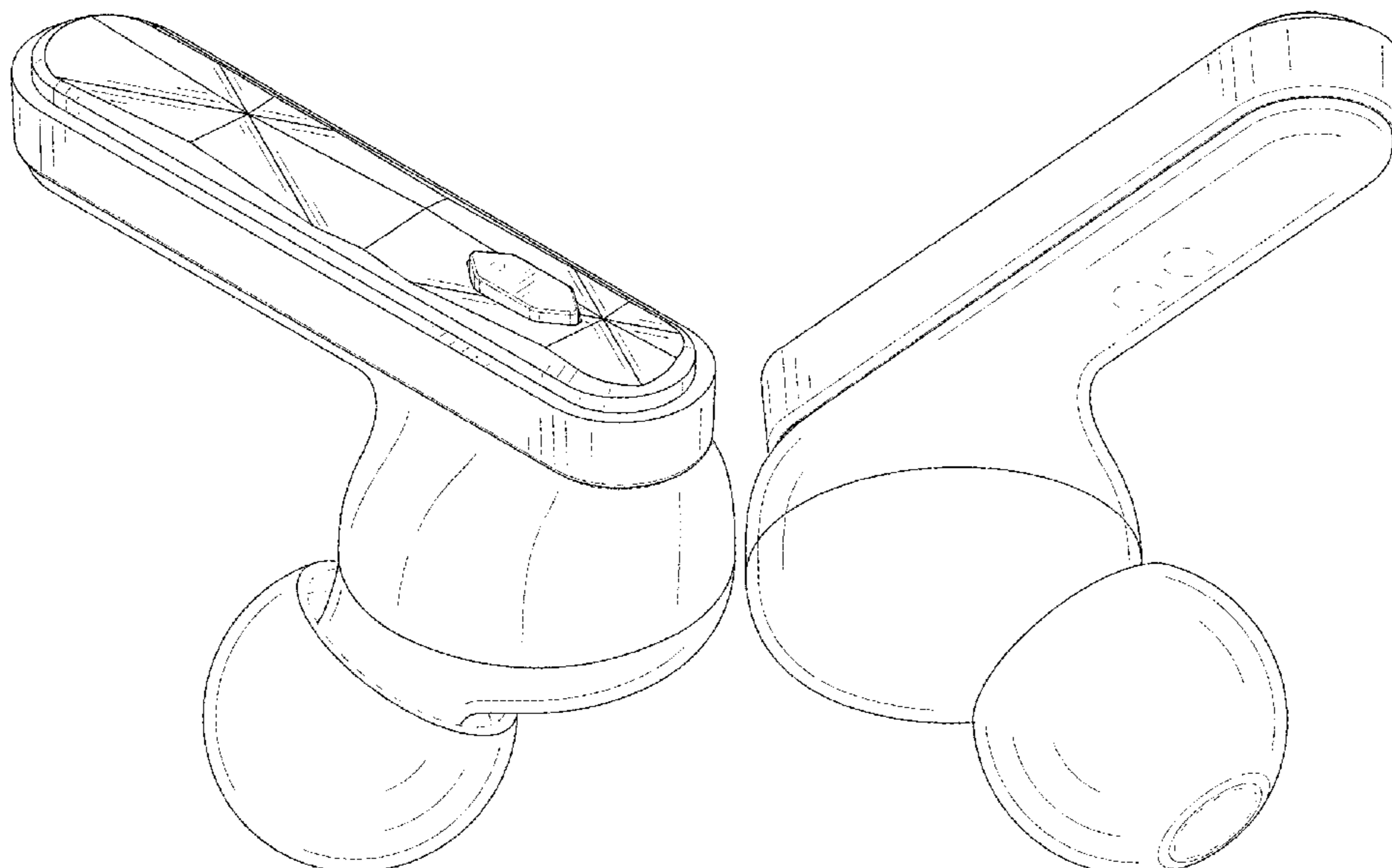
(57) **CLAIM**

The ornamental design for an earphone, as shown and described.

**DESCRIPTION**

FIG. 1 is a front, right side, top perspective view of an earphone showing my new design; FIG. 2 is a rear, left side, bottom perspective view thereof; FIG. 3 is a front elevational view thereof; FIG. 4 is a rear elevational view thereof; FIG. 5 is a left side elevational view thereof; FIG. 6 is a right side elevational view thereof; FIG. 7 is a top plan view thereof; and, FIG. 8 is a bottom plan view thereof. The broken lines depict portions of the earphone that form no part of the claimed design.

**1 Claim, 8 Drawing Sheets**



(56)

References Cited

U.S. PATENT DOCUMENTS

D630,179 S \* 1/2011 Park ..... D14/138 AA  
 D631,037 S \* 1/2011 Park ..... D14/223  
 D632,680 S \* 2/2011 Anneback ..... D14/228  
 D636,763 S \* 4/2011 Walter ..... D14/223  
 D640,242 S \* 6/2011 Fahrendorff ..... D14/223  
 D655,695 S \* 3/2012 Hanks ..... D14/223  
 D664,125 S \* 7/2012 Koch ..... D14/223  
 D664,522 S \* 7/2012 Chen ..... D14/223  
 D664,950 S \* 8/2012 Rye ..... D14/223  
 D673,531 S \* 1/2013 Lee ..... D14/223  
 D693,796 S \* 11/2013 Birger ..... D14/223  
 D694,551 S \* 12/2013 Calkins ..... D6/582  
 D700,905 S \* 3/2014 Pavitsich ..... D14/223  
 D704,685 S \* 5/2014 Yeh ..... D14/248  
 D707,659 S \* 6/2014 Henning ..... D14/223  
 D718,906 S \* 12/2014 Matsuishi ..... D28/83  
 8,908,899 B1 \* 12/2014 Yang ..... H04R 1/1033  
 381/384  
 D730,892 S \* 6/2015 Lee ..... D14/341  
 9,301,037 B1 \* 3/2016 Kalyvas ..... H04M 1/6041  
 D754,639 S \* 4/2016 Wu ..... D14/223

D803,184 S \* 11/2017 Loh Jun Kern ..... D14/205  
 D832,824 S \* 11/2018 Kim ..... D14/223  
 D845,540 S \* 4/2019 Lai ..... D28/8  
 D847,794 S \* 5/2019 Guo ..... D14/223  
 D848,982 S \* 5/2019 Kim ..... D14/223  
 D848,983 S \* 5/2019 Kim ..... D14/223  
 D853,359 S 7/2019 Guo  
 D863,262 S \* 10/2019 Roberts ..... D14/223  
 D864,165 S \* 10/2019 Roberts ..... D14/223  
 D864,169 S \* 10/2019 Min ..... D14/223  
 D864,919 S 10/2019 Bonahoom et al.  
 D868,752 S 12/2019 Zhu  
 D872,063 S 1/2020 Arimoto  
 D873,805 S 1/2020 Yang et al.  
 D879,074 S 3/2020 Komiya et al.  
 D883,260 S 5/2020 Hu  
 D885,373 S 5/2020 Lundbäck  
 D889,436 S \* 7/2020 Zhang ..... D14/223  
 D890,138 S \* 7/2020 Peng ..... D14/223  
 D893,462 S \* 8/2020 Liu ..... D14/223  
 D895,579 S \* 9/2020 Yang ..... D14/223  
 D895,582 S \* 9/2020 Wu ..... D14/223  
 D904,036 S \* 12/2020 Rabe ..... D5/62  
 D905,018 S \* 12/2020 Zhu ..... D14/223

\* cited by examiner

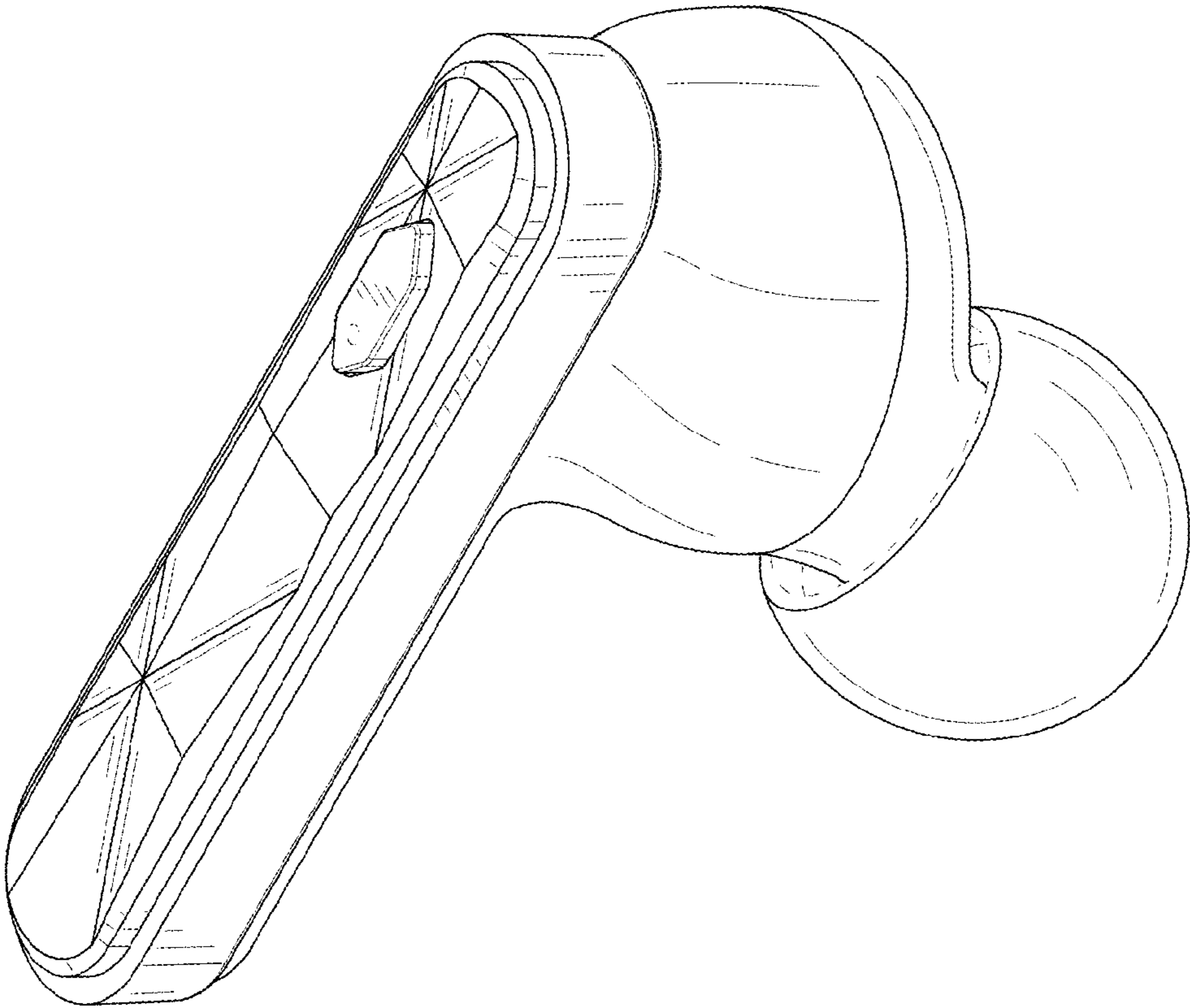


FIG. 1

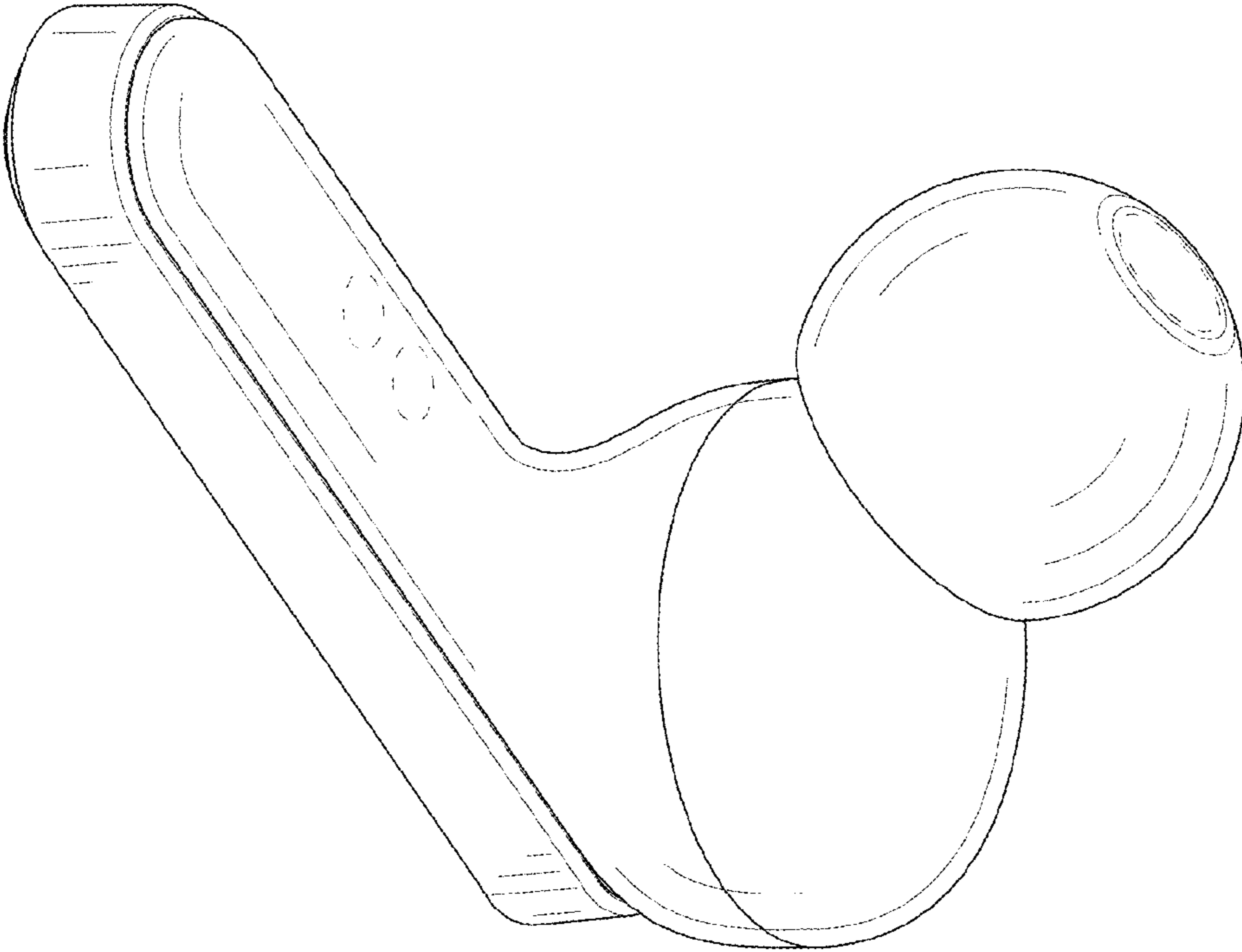


FIG. 2



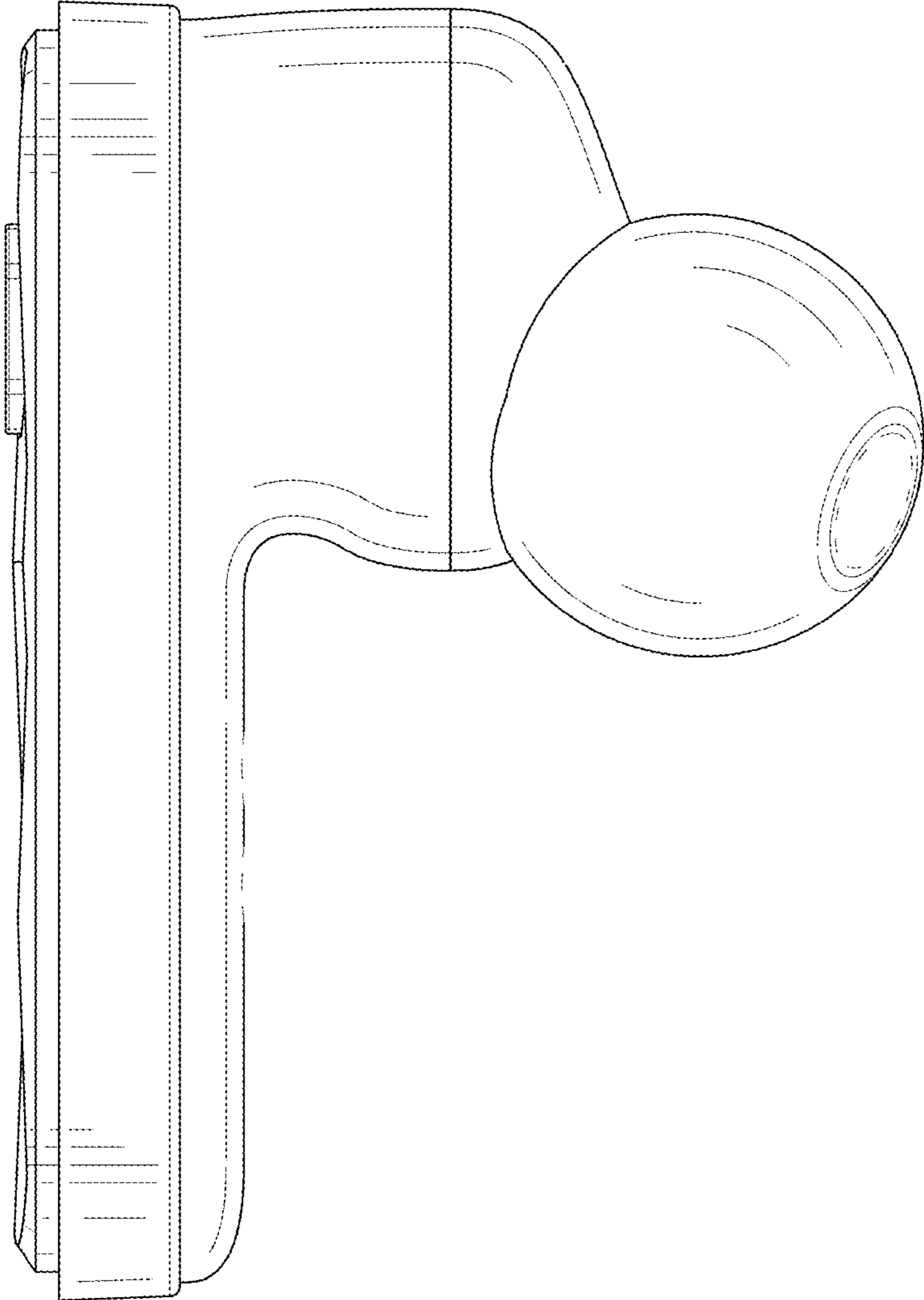


FIG. 3

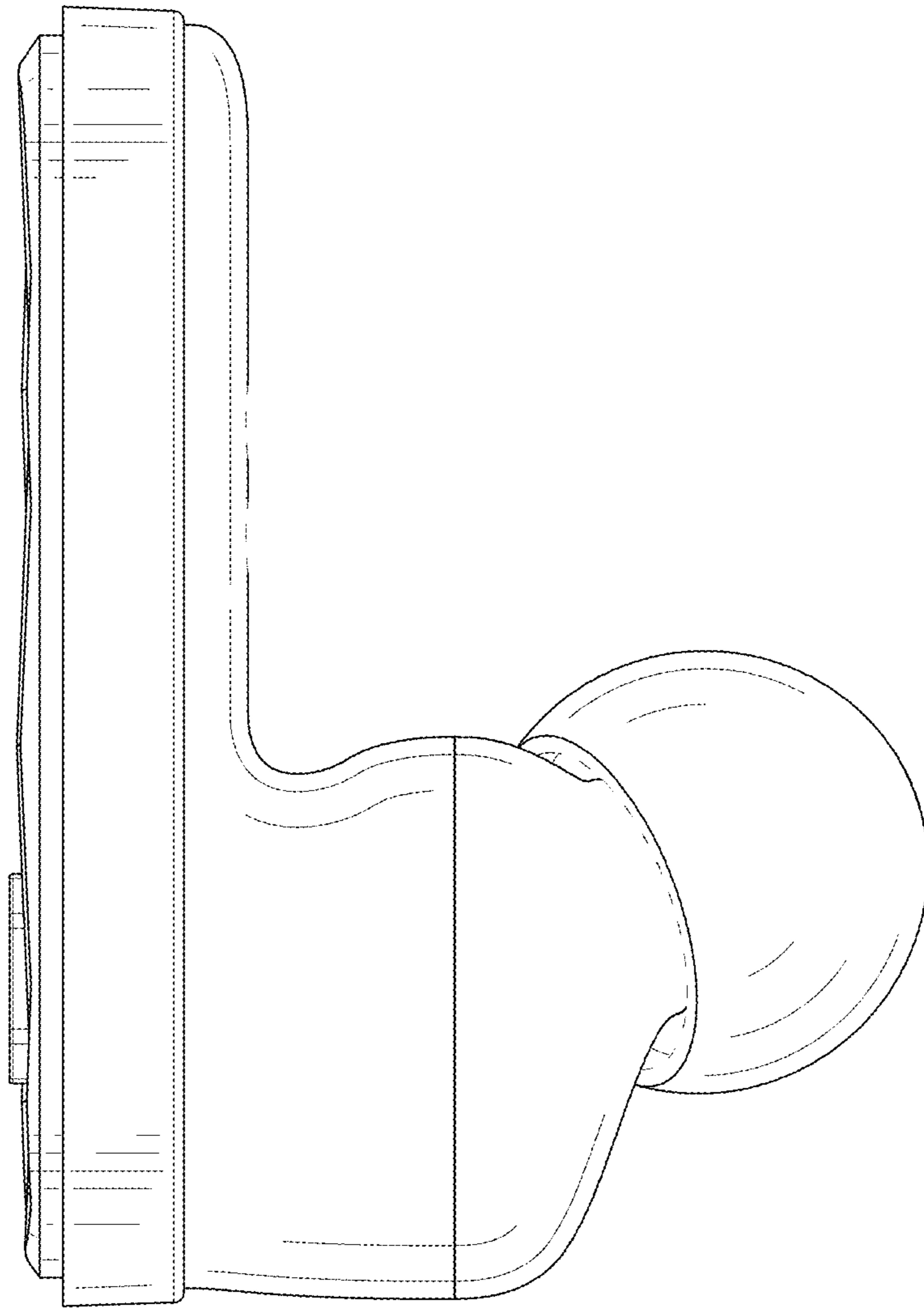


FIG.4

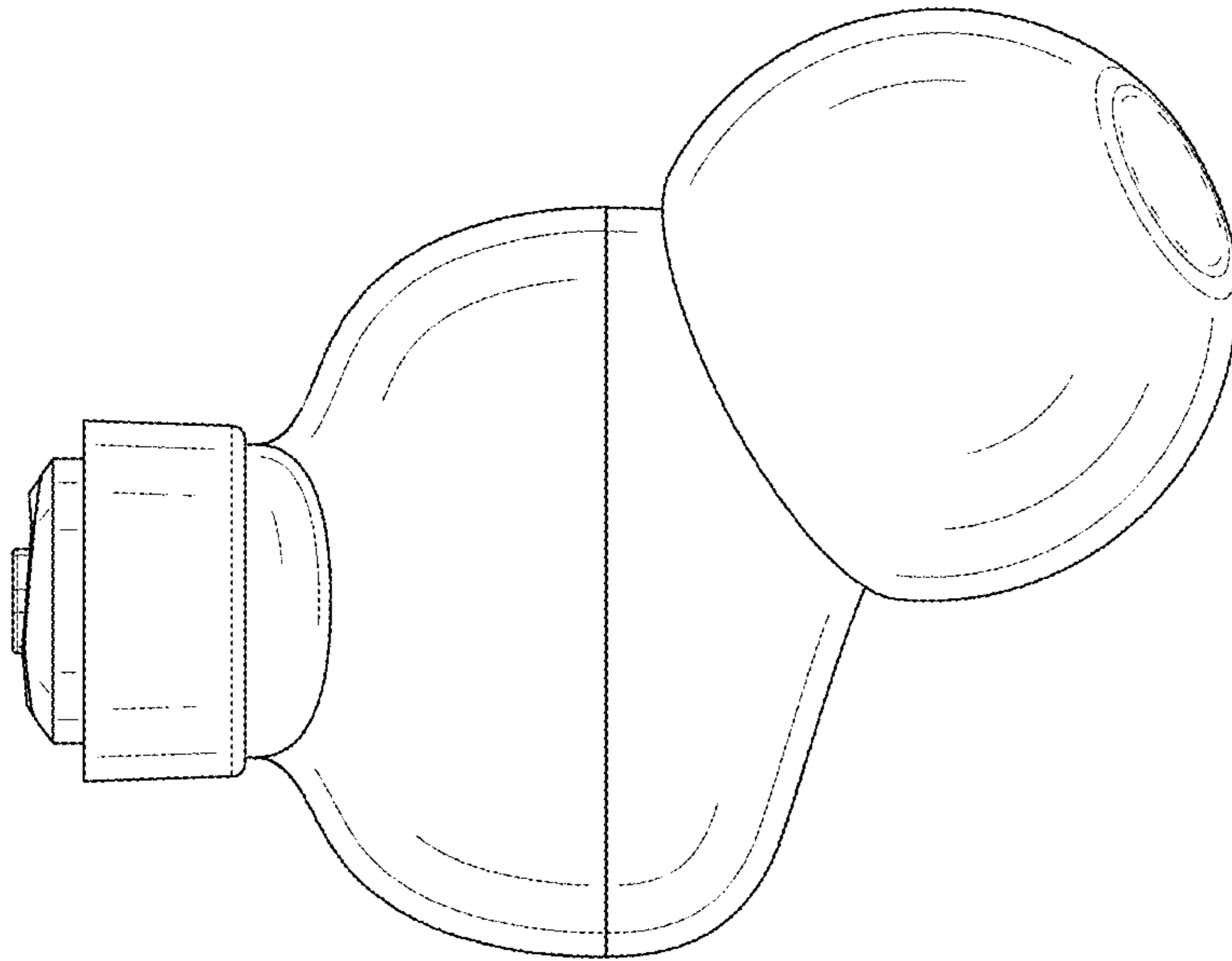


FIG. 5

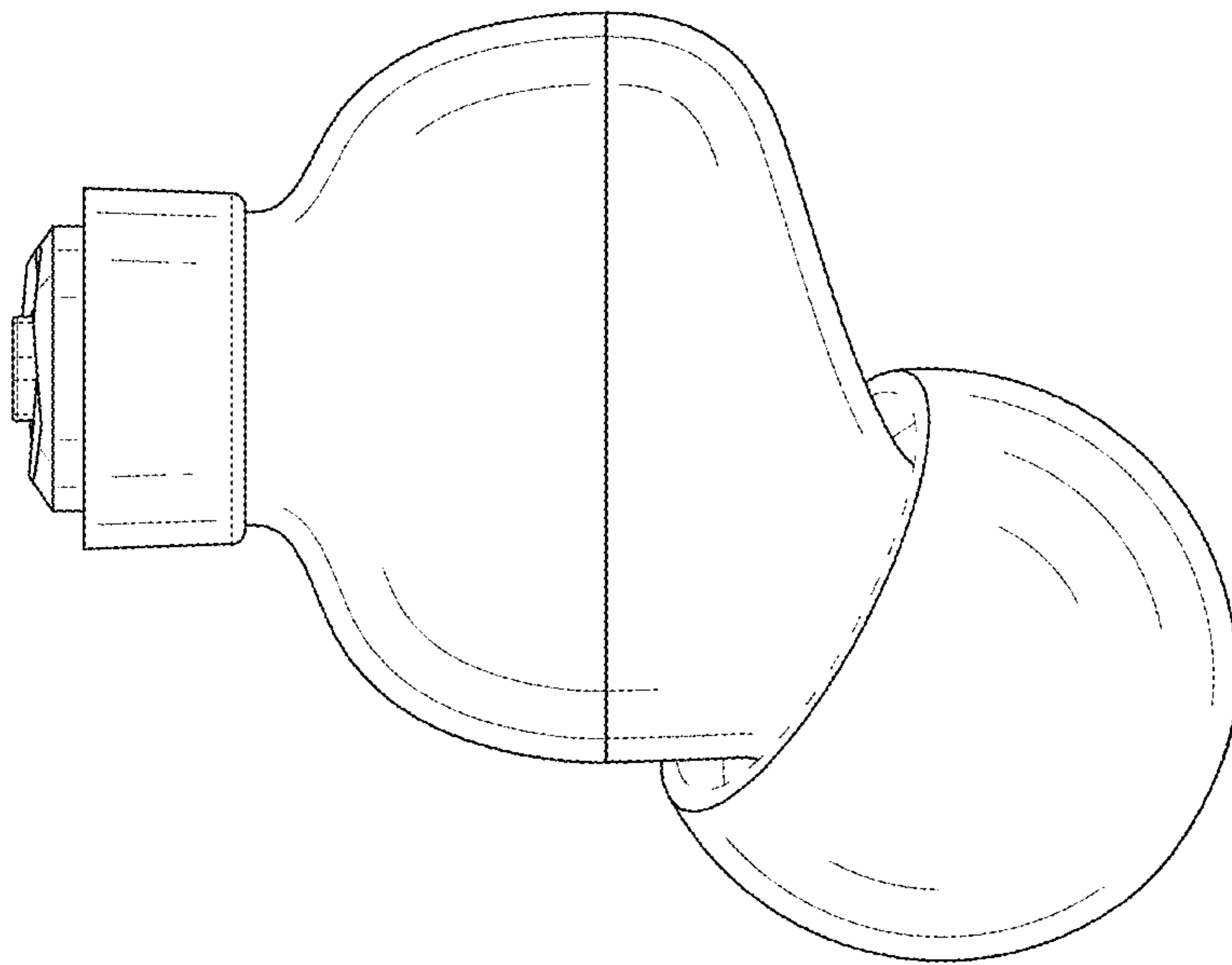


FIG. 6



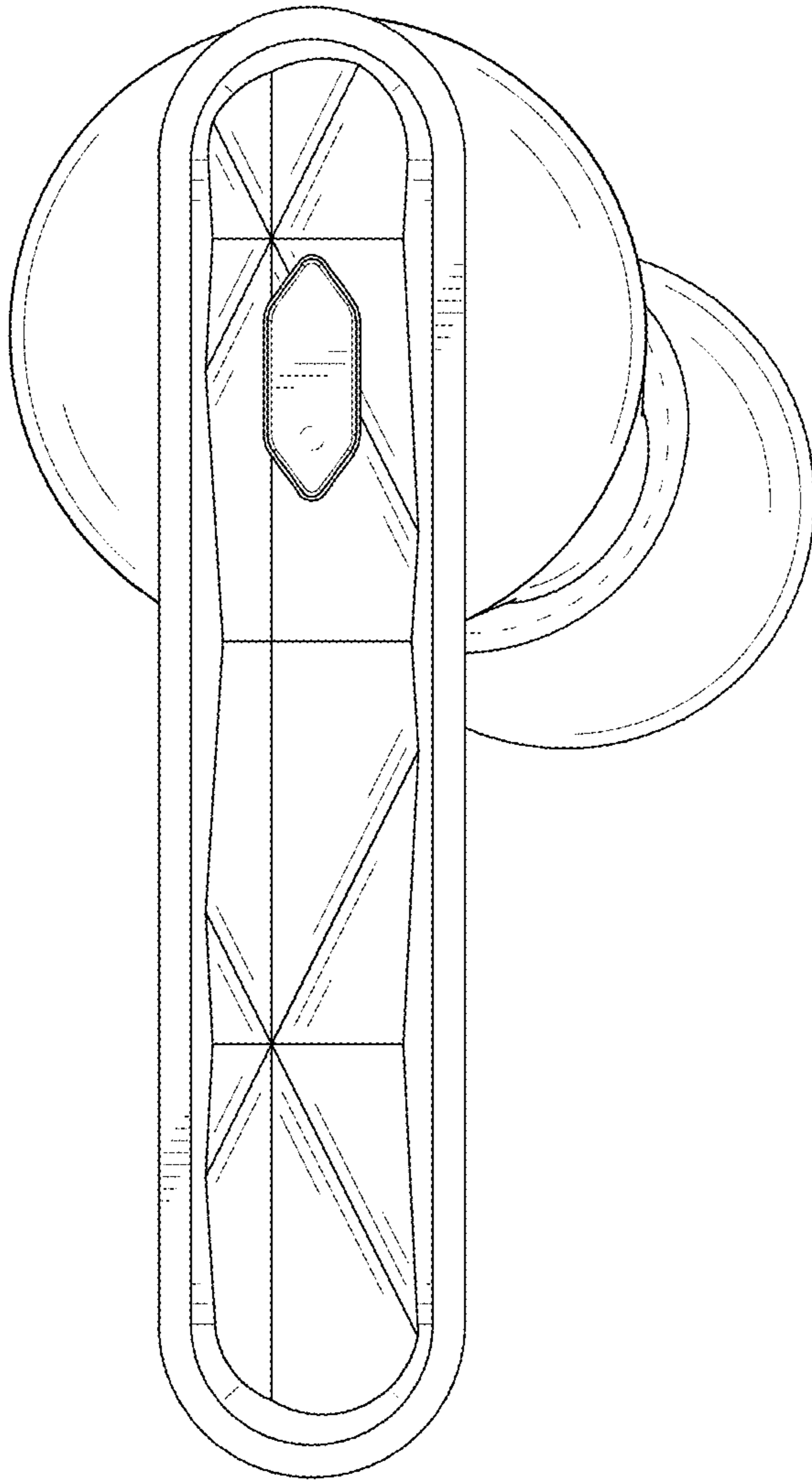


FIG. 7

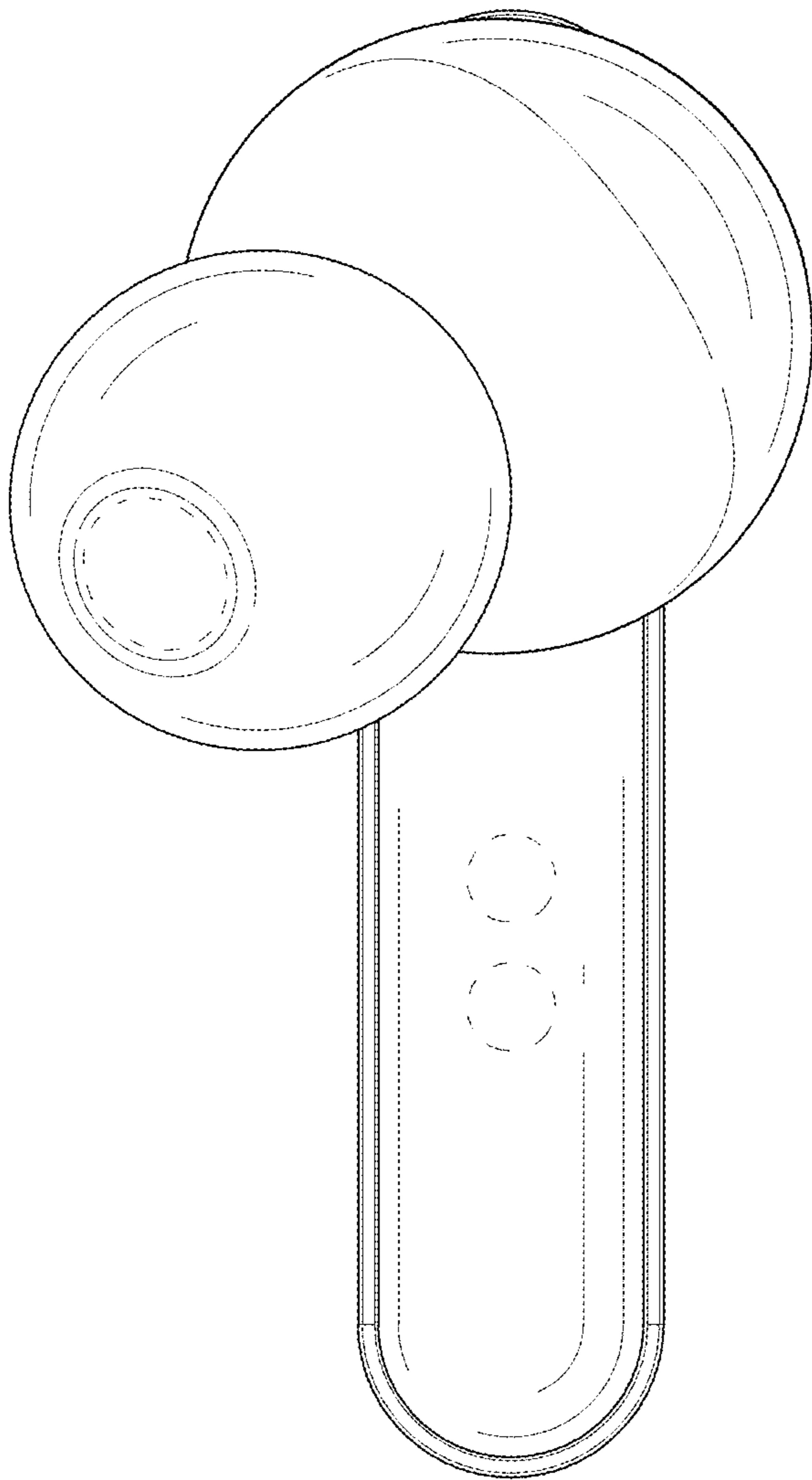


FIG. 8